

# ARBUS 200

English version

EDITION - 06/2007

CODE - 979124

## Parts catalog



**MÁQUINAS AGRÍCOLAS JACTO S.A.**

Rua Dr. Luiz Miranda, 1650

17580-000 - Pompéia - SP - Brasil

Tel.: +55 14 3405-2100 - Fax: +55 14 3452 1306

E-mail: [export@jacto.com.br](mailto:export@jacto.com.br)

Home page: <http://www.jacto.com.br>



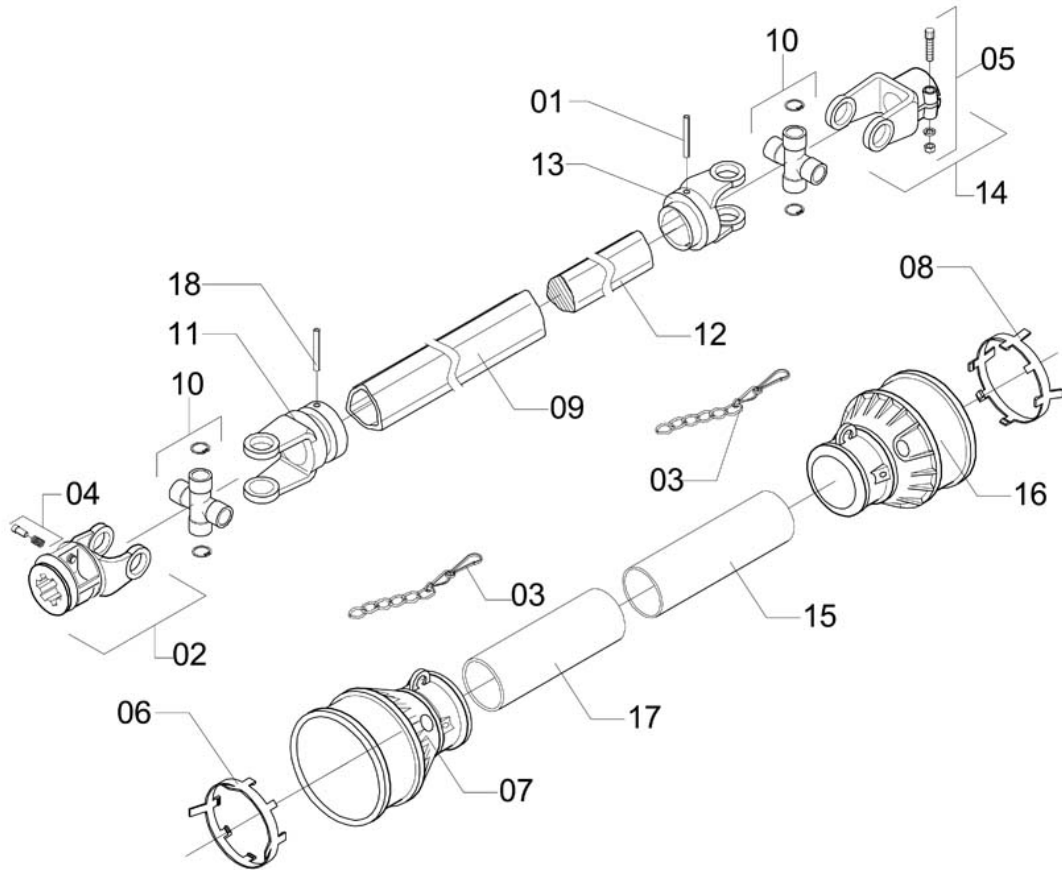
# ARBUS 200

EQUIPMENT	PAGE
ARBUS 200 - PTO 540 RPM - EXPORT.....	4

# ARBUS 200 - PTO 540 RPM - EXPORT (CODE: 595801)

ENTIRE ASSEMBLIES	PAGE
ACCESSORIES BOX	21 21
ANTIFRICTION BEARING	27 28
APPLICATION ASSEMBLY	18 18
BEARING BLOCK NO. 22	28
BEARING NO. 25	27
CHASSIS AND COMPLEMENTS	17 17
CHEMICAL CIRCUIT	6 6
CHEMICAL CONTAINER RINSE NOZZLE KIT	29 29
CHEMICAL CONTAINER RINSE NOZZLE ROD	34 34
CONVENTIONAL PTO SHAFT 610 - S 102 - Z = 6 X Ø 30	5
DIRECTIONAL VALVE	24 24
DIRECTIONAL VALVE 2 L/MIN.	24
DOUBLE NOZZLE HOLDER LL ASSEMBLY	16 16
DRIVE TRANSMISSION AND COMPLEMENTS	22 22
DRIVEN TRANSMISSION AND COMPLEMENTS	23 14
FILTER FVS-100	31 31
HYDRAULIC AGITATOR	25 25
JACTO CONTROL - 42 L/MIN - MODEL "A"	20 20
LAYOUT STICKERS FOR ARBUS 200	12 12
LID WITH BREATHER	35 35
PISTON PUMP	10 10
PRESSURE REGULATOR	8 8
PTO SHAFT 500	19 19
QUICK FITTING 1/2"	30
RINSE NOZZLE	33 33
TRAPEZE BELT	32 32
TRAPEZE BELT HY-T3V-0600	32
VALVE - CHEMICAL CONTAINER RINSE NOZZLE	26 26

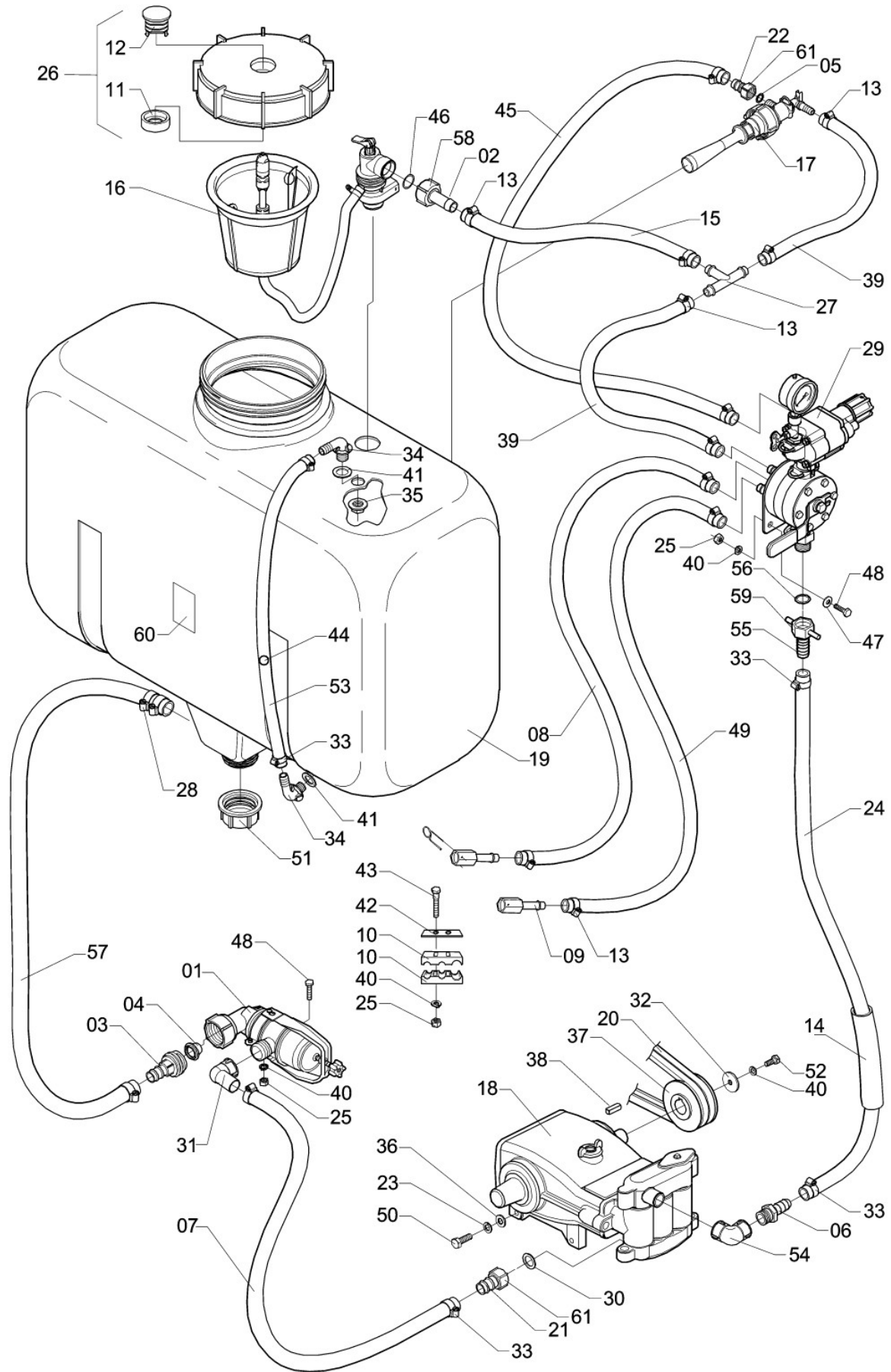
**CONVENTIONAL PTO SHAFT 610 - S 102 - Z = 6 X Ø 30**



**CN-30**

Item	CODE	DESCRIPTION	Qty.	Item	CODE	DESCRIPTION	Qty.
00	558932	Conventional PTO shaft 610 - S 102 - Z =	1				
01	912626	Flexible pin	1				
02	207589	Coupling end with lock - tractor end (1.3/8"Z=6)	1				
03	457127	Chain	2				
04	210641	Lock with spring	1				
05	457192	Bolt and nut	1				
06	643510	Shield lock	1				
07	643676	Cross shield (PTO end)	1				
08	643569	Shield lock	1				
09	643783	Female tube	1				
10	643411	Cross	2				
11	952761	Internal coupling end - tractor end	1				
12	643791	Male tube	1				
13	952753	Internal coupling end - sprayer end	1				
14	643502	Coupling end (sprayer end)	1				
15	643817	Male tube shield	1				
16	643700	Cross shield (sprayer end)	1				
17	643809	Female tube shield	1				
18	207449	Flexible pin ø 8 x 55	1				

# CHEMICAL CIRCUIT



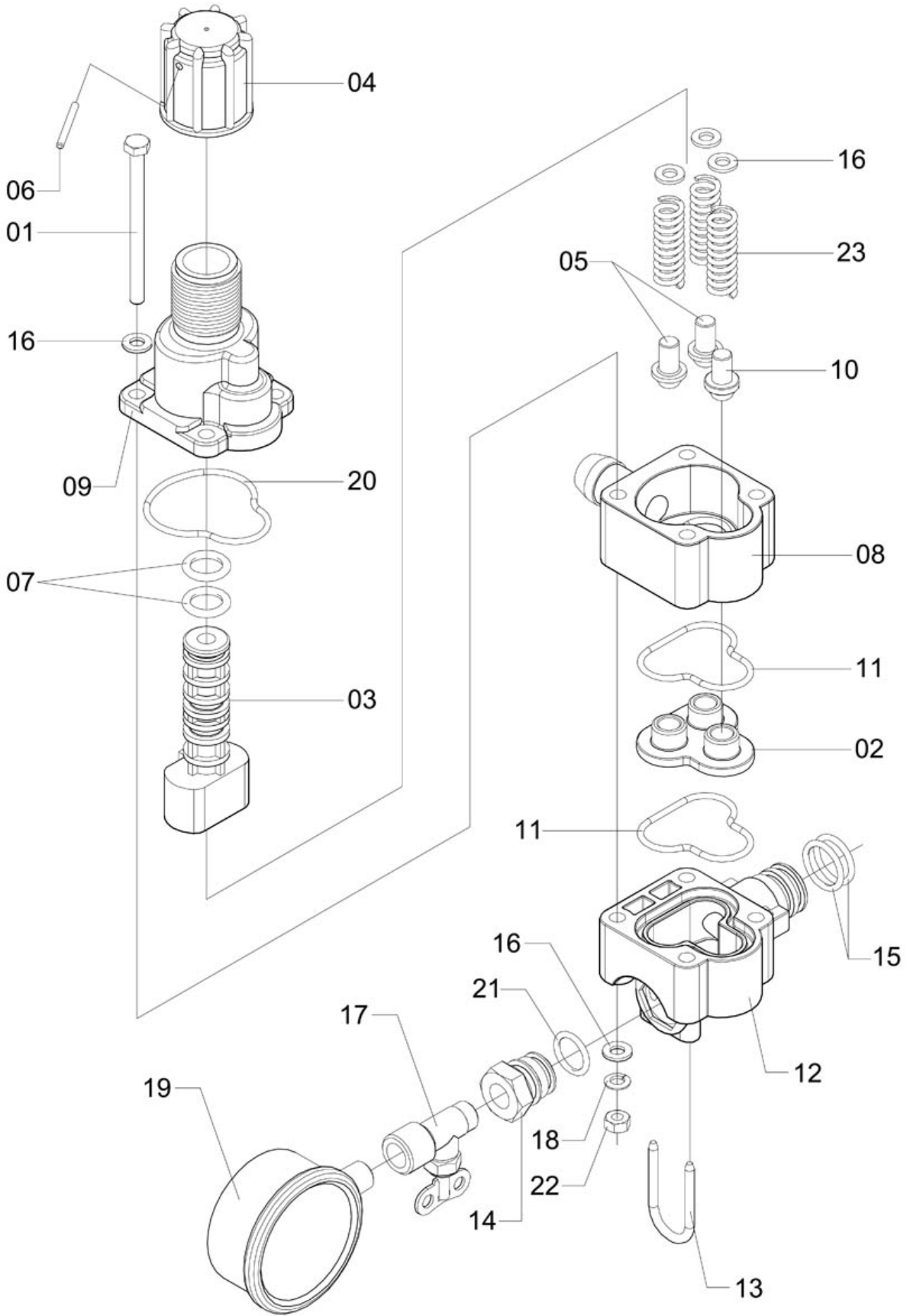
CD-412

## CHEMICAL CIRCUIT

Continuation

Item	CODE	DESCRIPTION	Qty.	Item	CODE	DESCRIPTION	Qty.
00	142448	Chemical circuit	1	60	449611	Sticker: " PTO 540 RPM"	1
01	005777	Filter FVS-100	1	61	511733	Round nut 1" BSP (40-45)	2
02	731539	Hose fitting 1/2"	1				
03	005926	Plastic extension 1.1/4"	1				
04	005934	Valve seat	1				
05	010827	Packing ring ø 29 x 22 x 3	1				
06	011114	Hose fitting ø 3/4"	1				
07	037531	Hose 1" x 240	1				
08	062463	Hose 1/2" x 1300	1				
09	086447	Quick fitting 1/2"	2				
10	088096	Semiclamp for tube 19	4				
11	088419	Labyrinth lock	1				
12	088427	Labyrinth	1				
13	107664	Clamp D14-22 - stainless steel	10				
14	172049		1				
15	127787	Hose ø 1/2"	1				
16	136648	Chemical container rinse nozzle kit	1				
17	139584	Hydraulic agitator	1				
18	142455	Piston pump	1				
19	144048	200-liter tank	1				
20	150508	Trapeze belt A-29	2				
21	404434	Hose fitting	1				
22	429043	Fitting 3/4" x 22.6	1				
23	209395	Lock washer M10	4				
24	211995	Hose 3/4" x 1150	1				
25	221648	Nut M8 x 1.25 - stainless steel	8				
26	037374	Lid with breather	1				
27	318170	Tee hose fitting ø 1/2"	1				
28	330969	Clamp D25-38 - stainless steel	3				
29	188102	Jacto control - 42 L/min - Model "A"	1				
30	402412	Lock washer ø 31 x 22.5 x 22.5/3.0	1				
31	428789	Elbow 90° - 1.1/4" BSP x ø 1"	1				
32	420281	Flat washer 82 x 350 x 30	1				
33	423814	Clamp D22-32 - stainless steel	8				
34	428730	Elbow 3/4" x 1/2" BSP -14 F.P.P.	2				
35	428748	Flanged nut 1/2" BSP -14 F.P.P.	2				
36	013433	Flat washer	2				
37	449876	Pulleu 90-2A x 25	1				
38	520296	Rectangular key	1				
39	943225	Hose 1/2" x 500	2				
40	519736	Lock washer M8	9				
41	563510	Seal washer ø 36,3	2				
42	618397	Semiclamp 25 x 87	2				
43	715490	Hex. bolt M8 x 50 x 1.25	4				
44	717181	Ball float ø 14	1				
45	717223	Hose 3/4" x 970	1				
46	731521	O-ring OR1 - 124	1				
47	973313	Flat washer 105 x 210 x 20	4				
48	829374	Hex. head bolt M8 x 20 x 1.25 -cl 8.8	5				
49	814459	Hose 1/2" x 1250	1				
50	829515	Hex. bolt M10 x 30 x 1.5	4				
51	900761	Drain cap ø 67	1				
52	829341	Hex. head bolt M8 x 16 x 1.25	1				
53	906735	Hose 3/4" x 750	1				
54	908459	Elbow ø 3/4" - 90°	1				
55	606764	Fitting for hose ø 3/4"	1				
56	706796	O-ring OR1-114	1				
57	174391		1				
58	005884	Nut 1.1/4" BSP	1				
59	403014	Hexagonal wing nut 3/4" BSP	1				

**PRESSURE REGULATOR**



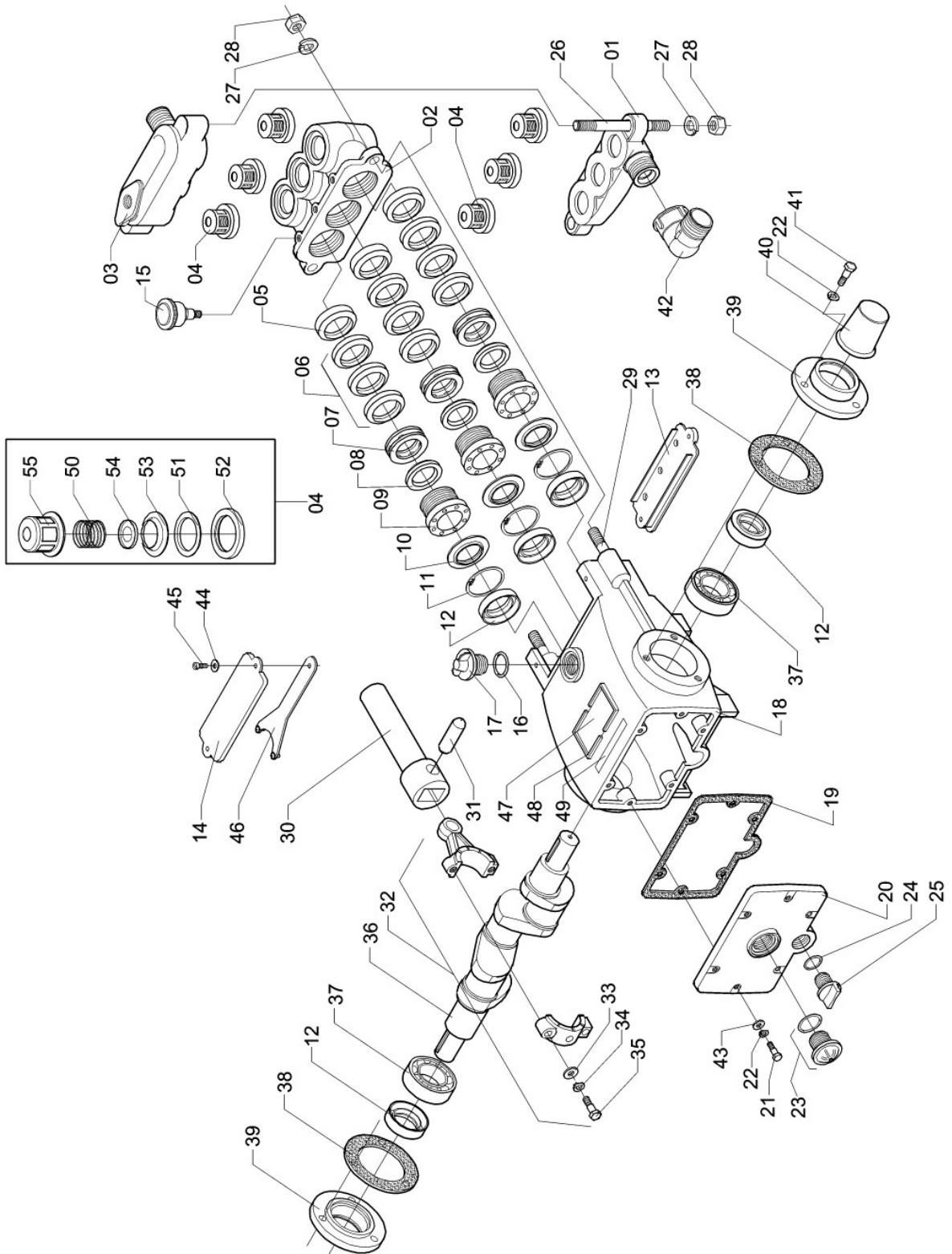
**CV-334**

**PRESSURE REGULATOR**

Continuation

Item	CODE	DESCRIPTION	Qty.	Item	CODE	DESCRIPTION	Qty.
00	348896	Pressure regulator	1				
01	049767	Bolt M6 x 80 x 1.00	4				
02	072231	Valve seat	1				
03	073551	Regulator rod	1				
04	073569	Handgrip	1				
05	073585	Cell	2				
06	073700	Handgrip pin	1				
07	099036	O-ring OR1-207	2				
08	146035	Intermediate block	1				
09	146043	Regulator cylinder	1				
10	148601	Patch with guide	1				
11	216200	O-ring ORI-132	2				
12	346197	Regulator body	1				
13	348789	Lock 22	1				
14	348862	Fitting $\varnothing$ 1/4" - 19 BSP	1				
15	358226	O-ring ORI - 116	2				
16	358267	Flat washer 64 x 125 x 16	11				
17	507319	Needle valve for pressure gauge	1				
18	521666	Lock washer M6	4				
19	551945	Pressure gauge (0 to 40 kgf/cm <sup>2</sup> ) (glycerin-filled)	1				
20	573154	O-ring OR1-136	1				
21	706796	O-ring OR1-114	1				
22	810689	Hex. nut M6 x 1.00	4				
23	941096	Compression spring 8.7 x 41	3				

# PISTON PUMP



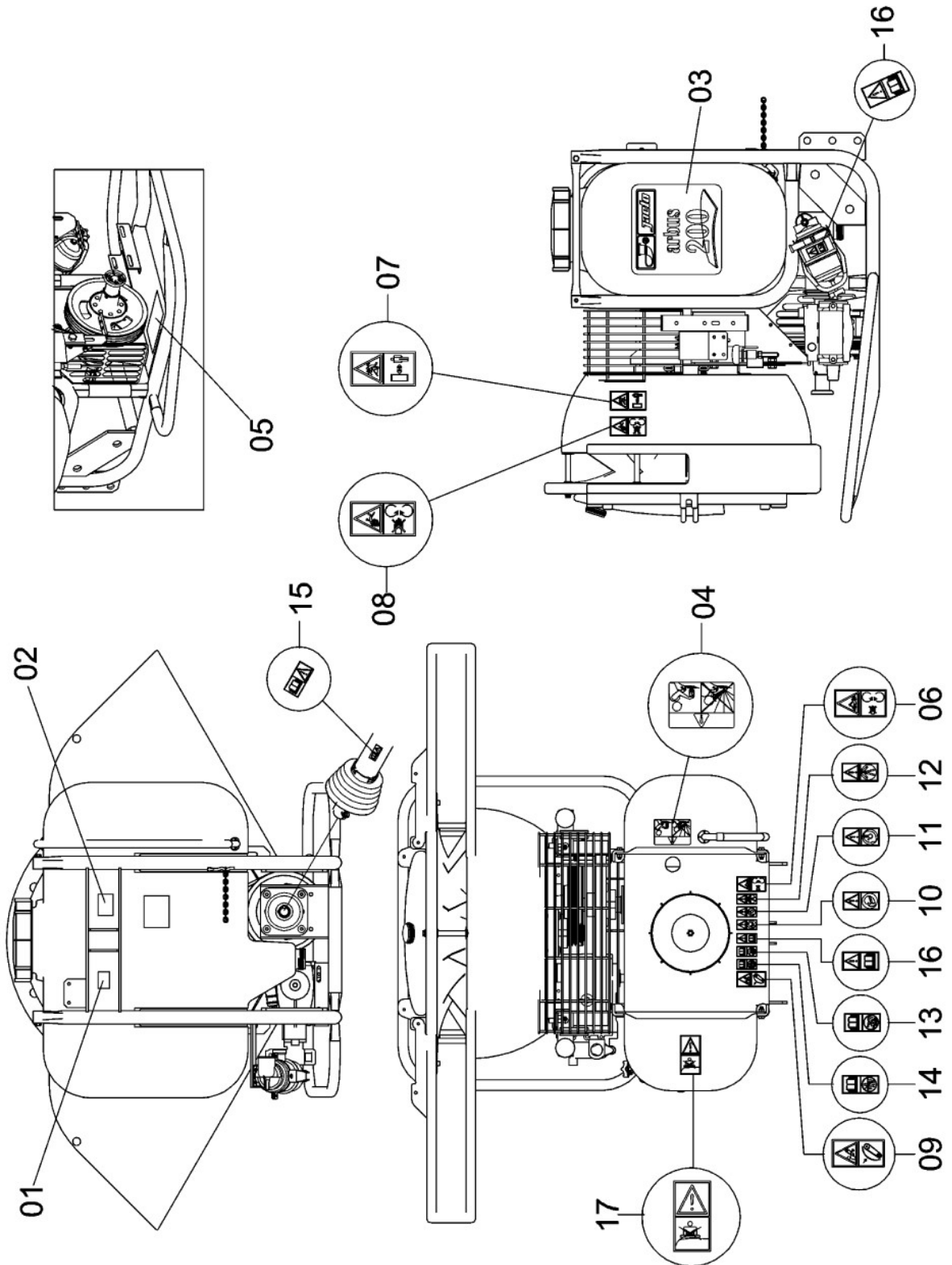
B-80

## PISTON PUMP

Continuation

Item	CODE	DESCRIPTION	Qty.	Item	CODE	DESCRIPTION	Qty.
00	142455	Piston pump	1				
01	328427	Suction cover	1				
02	328468	Pump head	1				
03	954016	Pumping cover	1				
04	407825	Pump valve ø 18	6				
04A	508333	Valve packing	6				
05	328815	Seat ring	3				
06	328807	Gasket ø 30 x 39	9				
07	328823	Compression ring	3				
08	516443	Scraper ring	3				
09	328831	Gasket adjuster	3				
10	328534	Deflector ring	3				
11	328476	Snap ring for hole ø 42	3				
12	516450	Retainer	5				
13	328609	Lower dust guard	1				
14	328278	Upper dust guard	1				
15	328617	Grease nipple	3				
16	012724	O-ring ORI-119	1				
17	328542	Plug ø 3/4" BSP	1				
18	944462	Pump body	1				
19	328526	Packing 104 x 160 x 1.59	1				
20	328583	Cover	1				
21	810697	Bolt M6 x 1 x 20	6				
22	521666	Lock washer M6	12				
23	521351	Oil sight 1/2" BSP with packing ring	1				
24	325290	O-ring OR1-112	1				
25	520775	Drain plug 1/4" BSP	1				
26	328492	Stud bolt 1/2" UNC x 138 mm	2				
27	908582	Lock washer 1/2"	4				
28	326280	Nut ø 1/2" UNC	4				
29	328484	Stud bolt ø 1/2" - 13 UNC x 62	2				
30	326983	Piston assembly	3				
31	328682	Connecting rod shaft	3				
32	328690	Connecting rod assembly	3				
33	979237	Flat washer 5,30 x 10,0 x 1,0	6				
34	519736	Lock washer M8	6				
35	941179	Hex bolt M- 8 x 35	6				
36	328732	Crankshaft	1				
37	328872	Fixed bearing	2				
38	944470	Packing 620 x 920 x 4	2				
39	944363	Flange	2				
40	328500	Crankshaft protector	1				
41	829507	Hex. head bolt M6 x 16 x 1.00	6				
42	902817	Male/female elbow ø 1" BSP x 90°	1				
43	358267	Flat washer 64 x 125 x 16	6				
44	508515	Flat washer 41 x 127 x 12.1	4				
45	727669	Bolt M4 x 12	4				
46	520338	Gasket adjusting tool	1				
47	165639	Identification plate	1				
48	109587	Round head rivet	2				
49	959957	Sticker: "Keep oil on level"	1				
50	502732	Compression spring	6				
51	508317	Guide ring - pump valve	6				
52	508333	Valve packing	6				
53	407296	Valve seat	6				
54	407320	Disc ø 23mm	6				
55	407346	Valve cage	6				

LAYOUT STICKERS FOR ARBUS 200



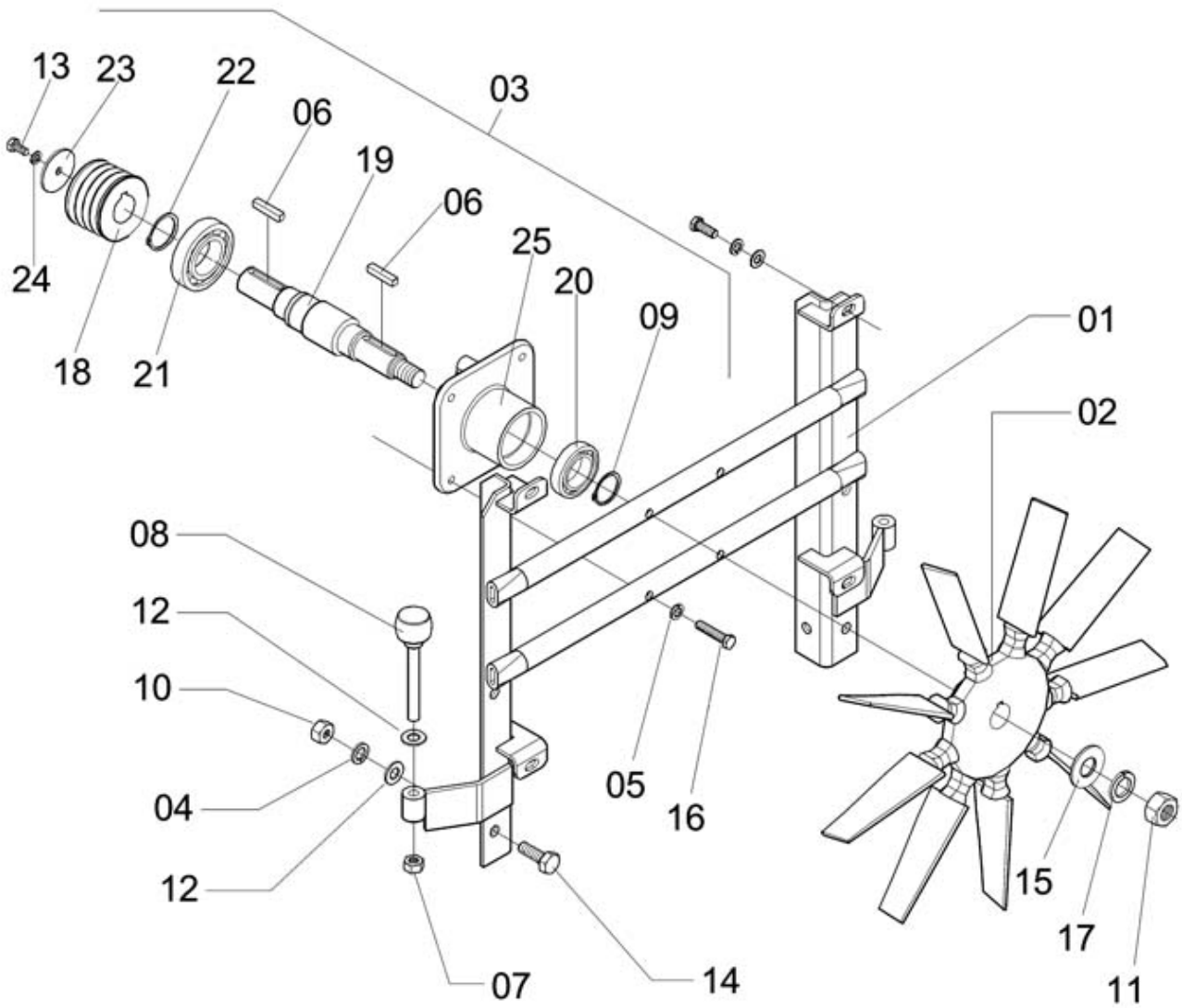
ADS-11

**LAYOUT STICKERS FOR ARBUS 200**

Continuation

Item	CODE	DESCRIPTION	Qty.	Item	CODE	DESCRIPTION	Qty.
00	674200	Layout stickers for Arbus 200	1				
01	013169	Sticker: "OK- FINAL TEST"	1				
02	047027	Identification plate	1				
03	156216	Sticker: "ARBUS 200 "	2				
04	169128	Sticker: "Chemical container rinse nozzle"	1				
05	184440	Fan unlocking instructions decal	1				
06	379008	Sticker: "Danger - PTO Shaft"	1				
07	379040	Sticker: "Attention - Keep at a Distance"	1				
08	379057	Sticker: "Keep at a Distance - Fan"	1				
09	379065	Sticker: "Keep all shields in place"	1				
10	379115	Sticker: "Obligatory Use of Respirator"	1				
11	379123	Sticker: "Obligatory Use of Hearing Protection"	1				
12	379131	Sticker: "Obligatory Use of Protective Clothing"	1				
13	379214	Sticker: "Maximum Speed 30 KM/H"	1				
14	379222	Sticker: "This Machine Is Not Allowed In Highways"	1				
15	379230	Sticker: "Read Operator's Manual - Horizontal"	1				
16	379248	Sticker: "Read Operator's Manual - Vertical"	2				
17	380014	Sticker: "Attention: Do Not Get Into The Tank"	1				

DRIVEN TRANSMISSION AND COMPLEMENTS



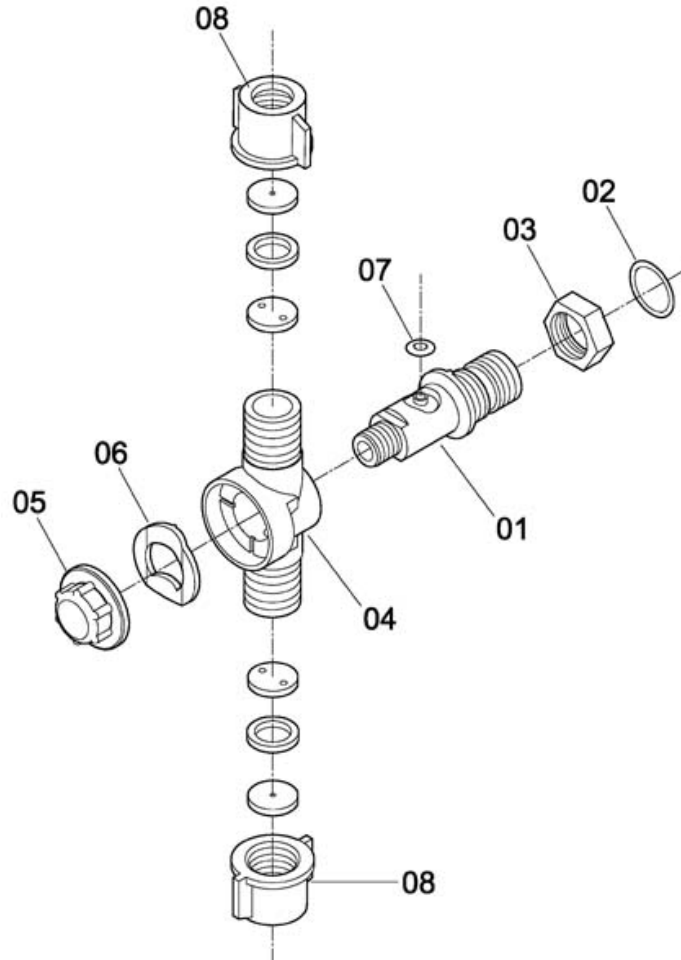
TMV-32

## DRIVEN TRANSMISSION AND COMPLEMENTS

Continuation

Item	CODE	DESCRIPTION	Qty.	Item	CODE	DESCRIPTION	Qty.
00	084111	Driven transmission and complements	1				
01	083584	Transmission support frame	1				
02	083774	Fan 550/9	1				
03	084103	Bearing block no. 22	1				
04	209163	Lock washer M12	4				
05	908566	Lock washer $\varnothing$ 3/8"	4				
06	015305	Square key 5/16" x 30	2				
07	326280	Nut $\varnothing$ 1/2" UNC	2				
08	941948	Tightening screw $\varnothing$ 1/2" - 13 UNC	2				
09	910166	Snap ring for shaft	1				
10	937722	Hex. nut M-12 x 1.75	4				
11	652594	Hex. nut M-22 x 1.5	1				
12	818112	Flat washer 130 x 240 x 30	6				
13	810705	Bolt M-8 x 30 x 1,25	1				
14	086439	Hex. bolt M12 x 30 x 1.75	4				
15	881318	Flat washer 235 x 500 x 31	1				
16	912717	Bolt 3/8" x 16 UNC x 1.3/4"	4				
17	917526	Lock washer $\varnothing$ 7/8"	1				
18	083436	Pulley 70-3-3V	1				
19	083444	Shaft 221	1				
20	202549	Fixed bearing	1				
21	203737	Fixed bearing	1				
22	209569	Snap ring for shaft $\varnothing$ 50	1				
23	507665	Flat washer 82 x 506 x 30	1				
24	519736	Lock washer M8	1				
25	734376	Engine bearing block body	1				

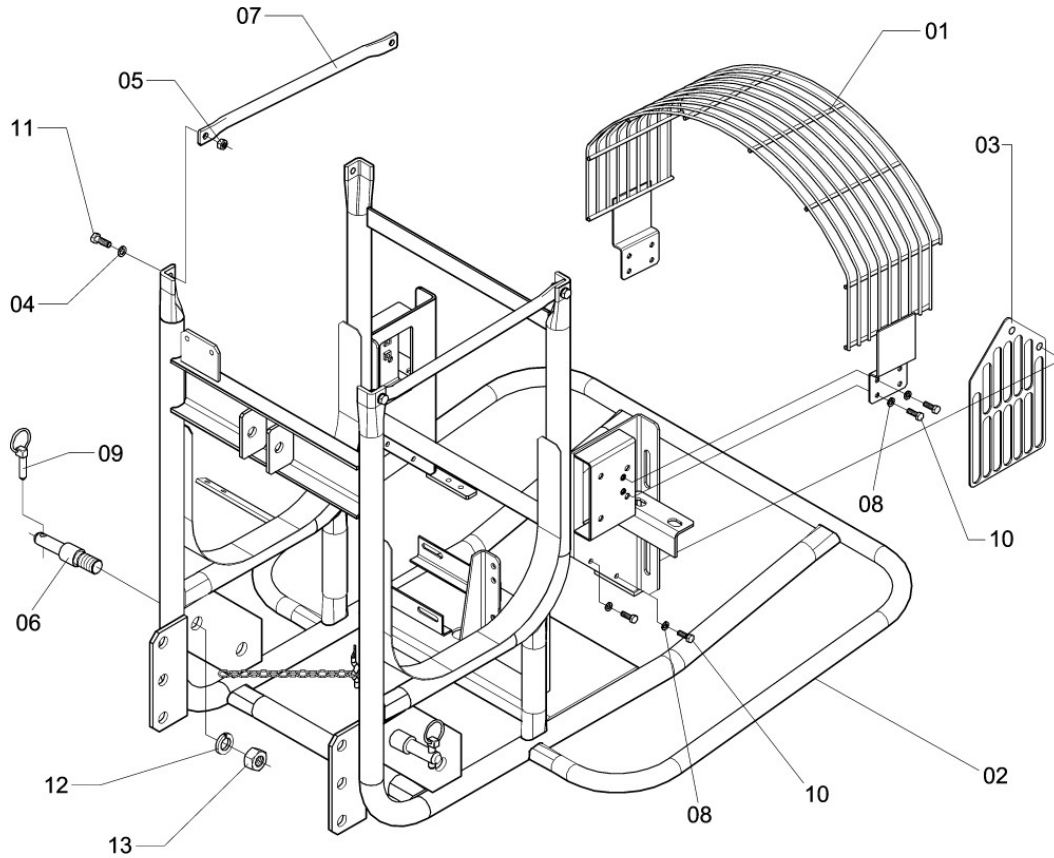
## DOUBLE NOZZLE HOLDER LL ASSEMBLY



BC-19

Item	CODE	DESCRIPTION	Qty.	Item	CODE	DESCRIPTION	Qty.
00	645887	Double nozzle holder ll assembly	1				
01	645838	Nozzle holder core	1				
02	120071	O-ring ORI - 015	1				
03	645853	Hex. nut 3/8" -19 BSP	1				
04	645895	Double nozzle holder body	1				
05	645879	Retainer washer	1				
06	645861	Flat spring	1				
07	340851	O-ring OR2 - 201	1				
08	710590	Nozzle cap	2				

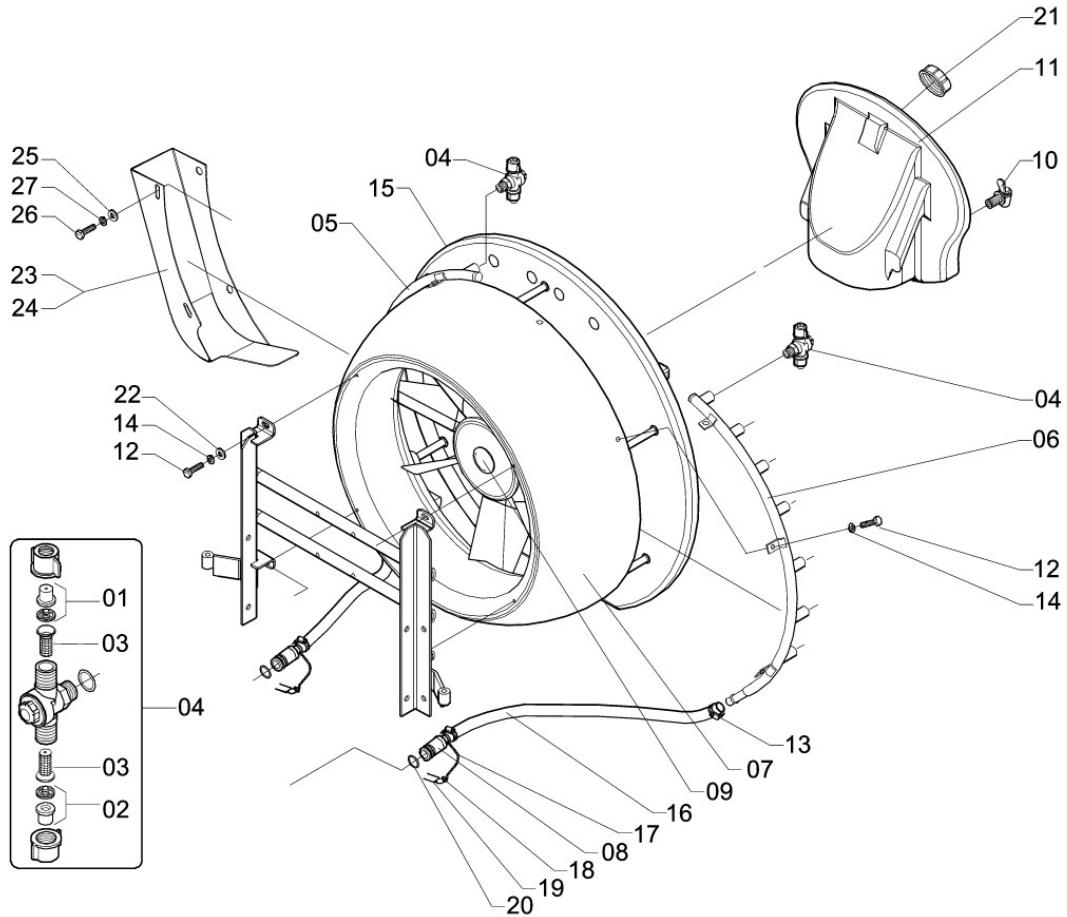
## CHASSIS AND COMPLEMENTS



**C3P-87**

Item	CODE	DESCRIPTION	Qty.	Item	CODE	DESCRIPTION	Qty.
00	142414	Chassis and complements	1				
01	083535	Guard screen	1				
02	097345	Chassis	1				
03	140699	Side guard screen	1				
04	209395	Lock washer M10	4				
05	209205	Hex. nut M10 x 1,50	4				
06	429027	Lower coupling pin ø 22 x 1	2				
07	449991	Angle brace 450	2				
08	519736	Lock washer M8	6				
09	812636	Universal lock pin 7/16"	2				
10	829382	Hex head bolt M8 x 25 x 1.25	6				
11	829515	Hex. bolt M10 x 30 x 1.5	4				
12	910075	Lock washer ø 1"	2				
13	910430	Nut ø 1" - 8 UNC	2				

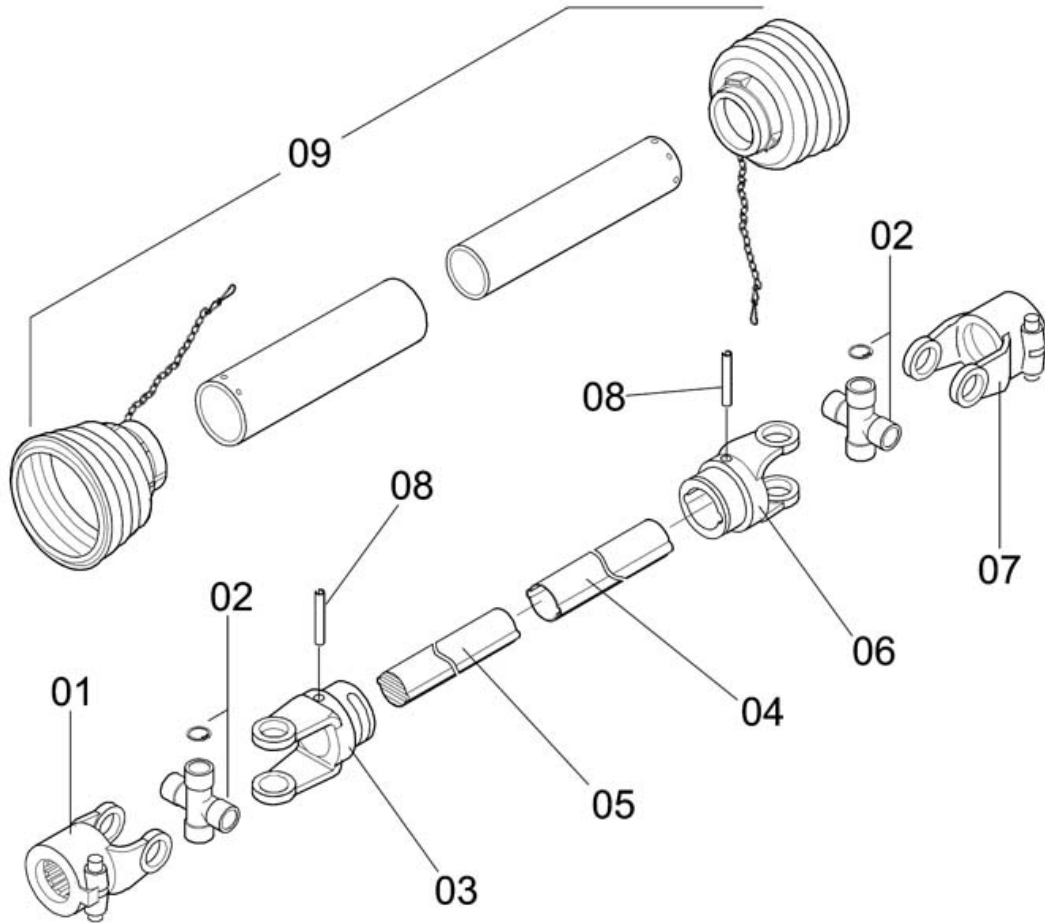
## APPLICATION ASSEMBLY



**CA-163**

Item	CODE	DESCRIPTION	Qty.	Item	CODE	DESCRIPTION	Qty.
00	143164	Application assembly	1	26	033696	Hex. head bolt M8 x 12 x 1.25	4
01	000026	Cone nozzle JA-2 (black)	16	27	519736	Lock washer M8	4
02	454272	Cone nozzle JA-4 (red)	16				
03	439083	Nozzle filter (50 mesh)	32				
04	645887	Double nozzle holder II assembly	16				
05	086249	Right nozzle branch	1				
06	086256	Left nozzle branch	1				
07	086454	Deflector 500	1				
08	636407	Spray gun quick fitting 1/2"	2				
09	018895	Plastic plug ø 52.3	1				
10	044180	Plastic tap 23 x 3/8" BSP	1				
11	084012	15-liter tank	1				
12	086405	Bolt M10 x 20 x 1.5	10				
13	107664	Clamp D14-22 - stainless steel	8				
14	209395	Lock washer M10	10				
15	097360	Reflector	2				
16	265538	Hose ø1/2" x 400	2				
17	437822	Chain 120 mm	2				
18	622969	Double ring ø 22 x 26 x 3	4				
19	636399	Quick fitting clamp	2				
20	440982	O-ring OR1-117	2				
21	900761	Drain cap ø 67	1				
22	973313	Flat washer 105 x 210 x 20	4				
23	166454	Right deflector	1				
24	166462	Left deflector	1				
25	733253	Flat washer 82 x 254 x 15	4				

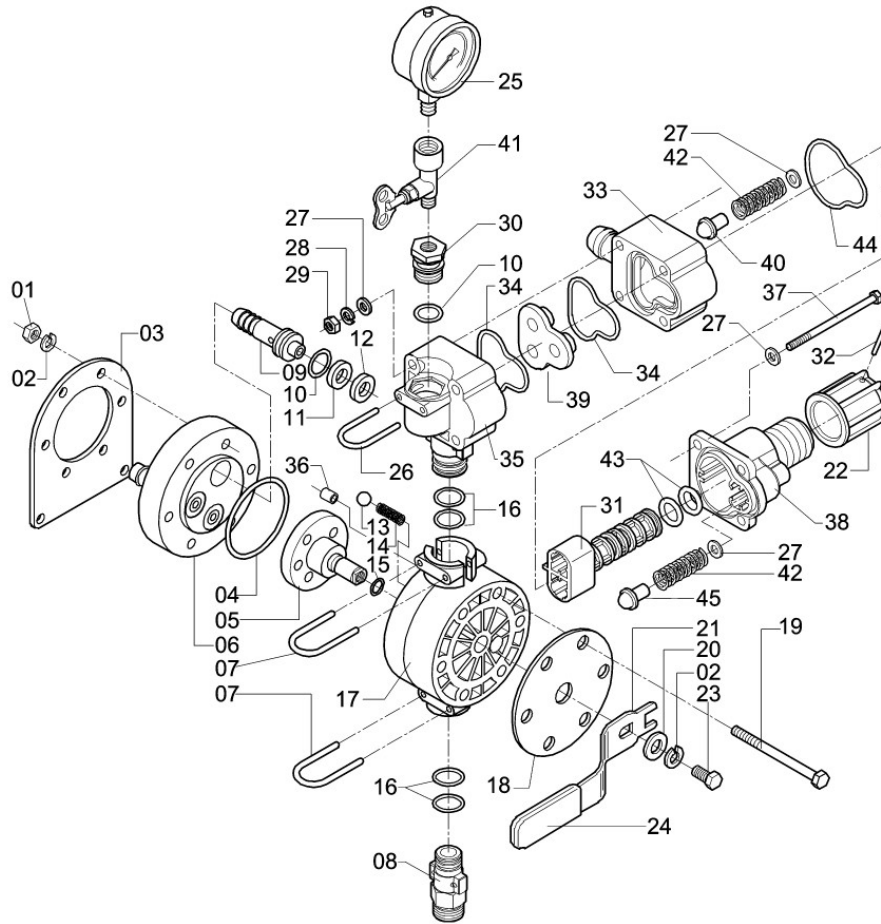
# PTO SHAFT 500



CN-10

Item	CODE	DESCRIPTION	Qty.	Item	CODE	DESCRIPTION	Qty.
00	128173	PTO shaft 500	1				
01	227371	Coupling end (tractor end)	1				
02	130369	Cross assembly with lock	2				
03	227397	Male tube coupling end	1				
04	227488	Female tube	1				
05	227496	Male tube	1				
06	227405	Female tube coupling end	1				
07	227389	Coupling end (sprayer end)	1				
08	227447	Flexible pin	2				
09	227504	Plastic shield assembly	1				

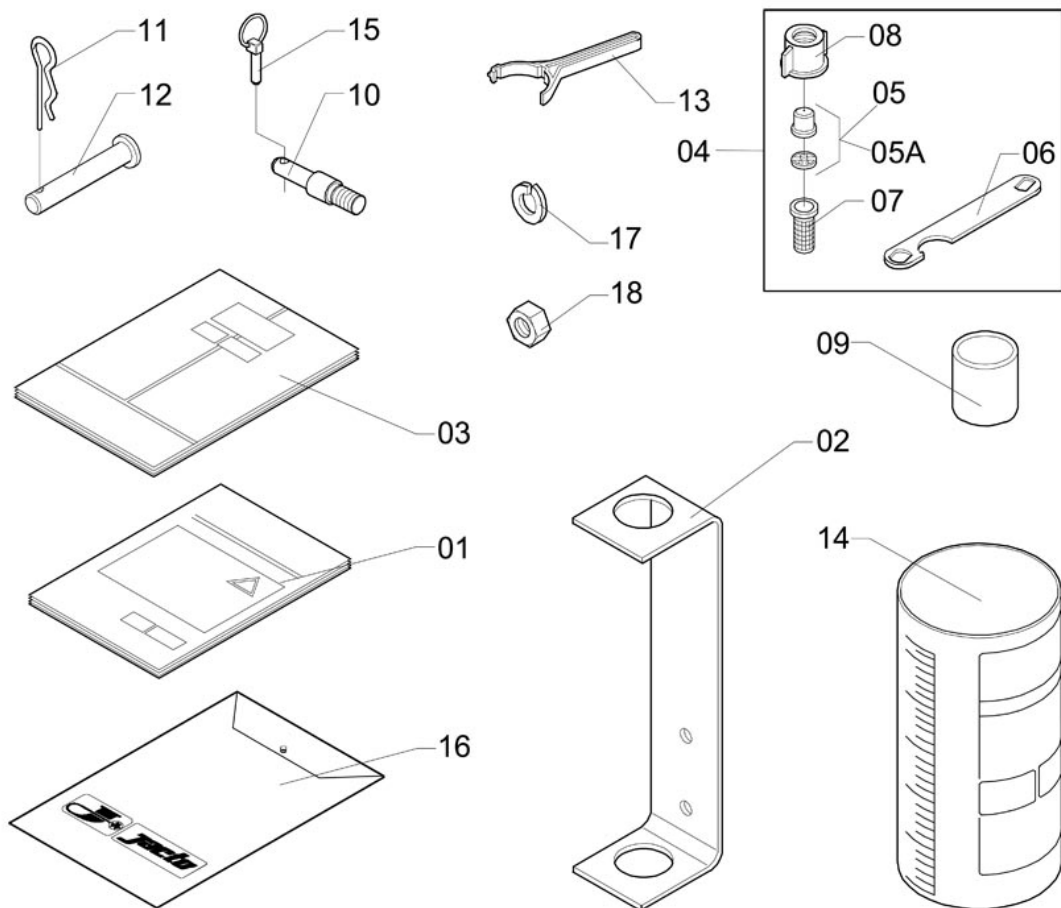
## JACTO CONTROL - 42 L/MIN - MODEL "A"



**CV-259**

Item	CODE	DESCRIPTION	Qty.	Item	CODE	DESCRIPTION	Qty.
00	188102	Jacto control - 42 L/min - Model "A"	1	24	945964	Lever handgrip	1
00A	348904	Directional valve 2 L/Min.	1	25	551945	Pressure gauge (0 to 40 kgf/cm <sup>2</sup> ) (glycerin-filled)	1
00B	348896	Pressure regulator	1	26	348789	Lock 22	1
01	810770	Hex. nut M-8 x 1.25	6	27	358267	Flat washer 64 x 125 x 16	20
02	519736	Lock washer M8	7	28	521666	Lock washer M6	4
03	358382	Support	1	29	810689	Hex. nut M6 x 1.00	4
04	358242	O-ring ORI - 142	1	30	348862	Fitting $\varnothing$ 1/4" - 19 BSP	1
05	348805	Distributor	1	31	073551	Regulator rod	1
06	333096	Valve cover	1	32	073700	Handgrip pin	1
07	348771	Lock	2	33	146035	Intermediate block	1
08	170399	Male fitting $\varnothing$ 3/4" BSP	1	34	216200	O-ring ORI-132	2
09	346130	Hose fitting $\varnothing$ 1/4"	3	35	346197	Regulator body	1
10	706796	O-ring OR1-114	4	36	555037	Bushing	1
11	414771	O-ring $\varnothing$ 20 x 11 x 3.0	3	37	049767	Bolt M6 x 80 x 1.00	4
12	348813	Packing ring	3	38	146043	Regulator cylinder	1
13	358234	Ball $\varnothing$ 1/2"	1	39	072231	Valve seat	1
14	411603	Compression spring	1	40	073585	Cell	2
15	416669	O-ring OR1-110	1	41	507319	Needle valve for pressure gauge	2
16	358226	O-ring ORI - 116	4	42	941096	Compression spring 8.7 x 41	3
17	333039	Valve body	1	43	099036	O-ring OR1-207	2
18	348763	Plate	1	44	573154	O-ring OR1-136	1
19	358218	Hex. bolt M8 x 80 x 1.25	6	45	148601	Patch with guide	1
20	013433	Flat washer	1				
21	348870	Lever	1				
22	073569	Handgrip	1				
23	033696	Hex. head bolt M8 x 12 x 1.25	1				

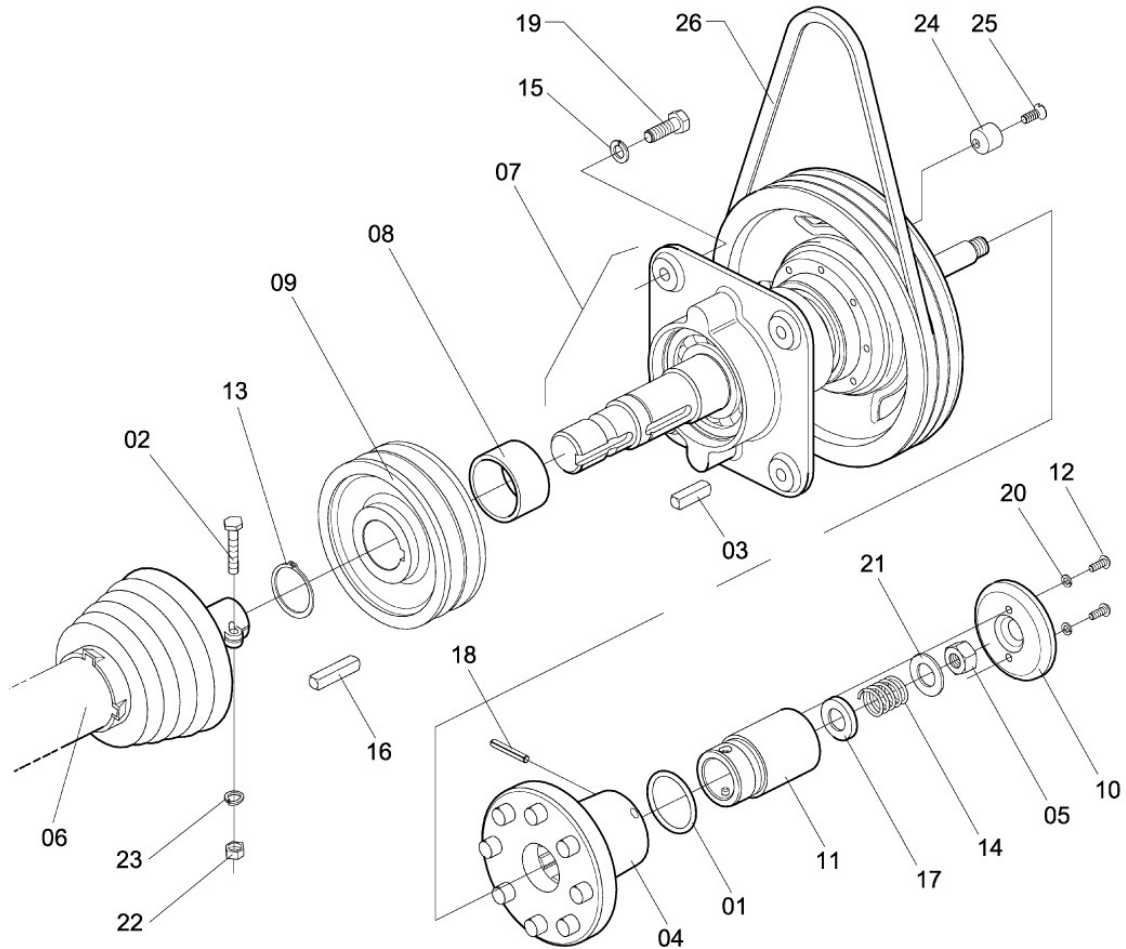
## ACCESSORIES BOX



**CXA-232**

Item	CODE	DESCRIPTION	Qty.	Item	CODE	DESCRIPTION	Qty.
00	595785	Accessories box	1				
01	158576	Operator's manual-Chemical container rinse nozzle	1				
02	220830	Gun holder	1				
03	382945	Operator's manual - Arbus 200 (Spanish)	1				
04	387951	Nozzles JA-2 JA-4	1				
05	000026	Cone nozzle JA-2 (black)	16				
05A	454272	Cone nozzle JA-4 (red)	16				
06	436493	Flat fan nozzle aligner	1				
07	439083	Nozzle filter (50 mesh)	32				
08	710590	Nozzle cap	32				
09	400325	Lower coupling pin sleeve	2				
10	429027	Lower coupling pin ø 22 x 1	2				
11	517409	Cotter pin 3/16"	1				
12	602912	Coupling pin 19 x 113	1				
13	703694	Key 40-45	1				
14	767061	Flow calibrator bottle	1				
15	812636	Universal lock pin 7/16"	2				
16	867127	Plastic folder	1				
17	910075	Lock washer ø 1"	2				
18	910430	Nut ø 1" - 8 UNC	2				

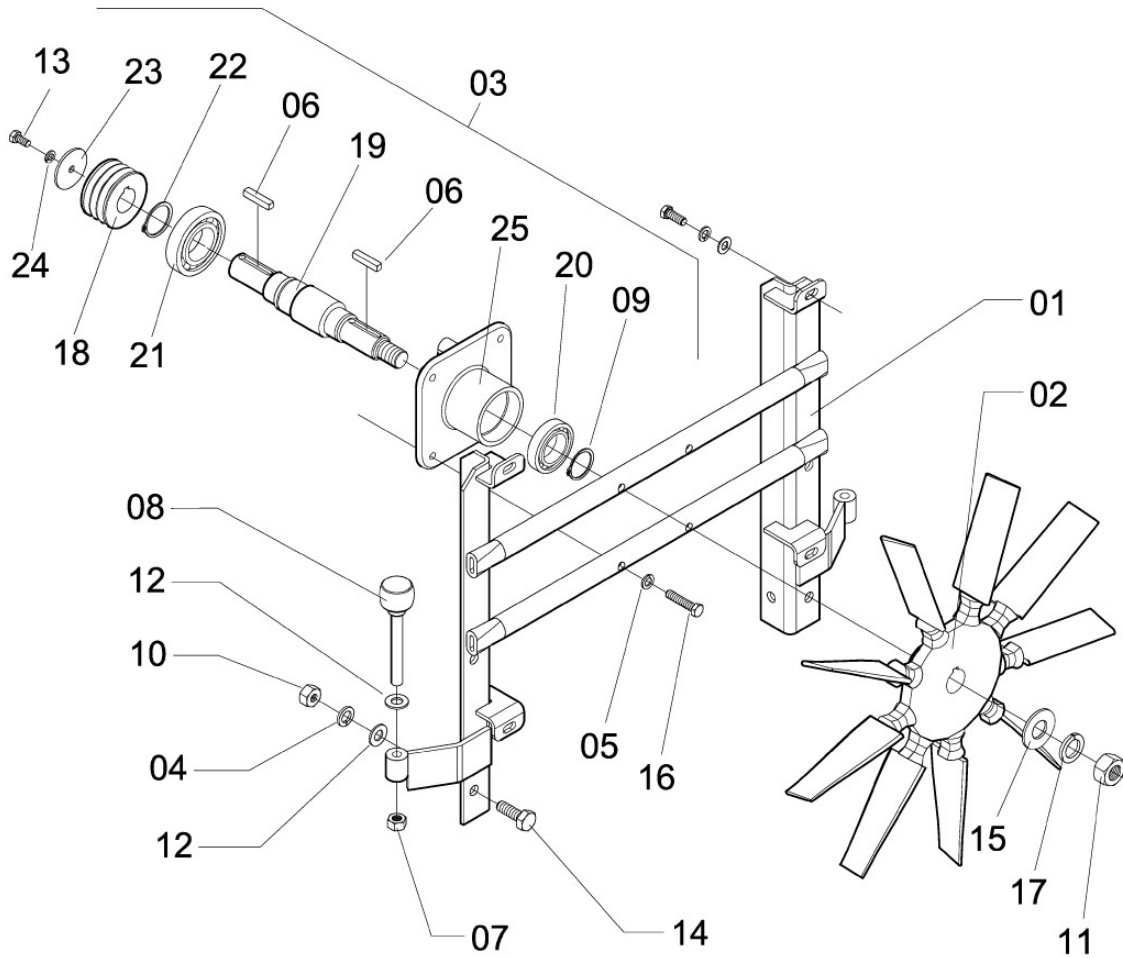
## DRIVE TRANSMISSION AND COMPLEMENTS



**TMT-35**

Item	CODE	DESCRIPTION	Qty.	Item	CODE	DESCRIPTION	Qty.
00	142422	Drive transmission and complements	1	26	728105	Trapeze belt HY-T3V-0600	3
01	011643	O-ring ORI-129	1				
02	011692	Bolt 7/16" - 20 UNF x 2.3/4"	1				
03	015305	Square key 5/16" x 30	1				
04	018713	Grooved hub with pins	1				
05	108787	Nut DODI-LOC ø 1/2" - 13 UNC	1				
06	128173	PTO shaft 500	1				
07	168955	Bearing no. 25	1				
08	148619	Spacer	1				
09	155853	Pulley 120-2A x 35	1				
10	201087	Disc ø 70	1				
11	201103	Coupling hub	1				
12	202853	Screw ø 3/16" UNC x 1/2"	2				
13	203067	Snap ring for shaft ø 35	1				
14	204537	Compression spring	1				
15	209395	Lock washer M10	4				
16	324624	Square key 5/16" x 4"	1				
17	425892	Spring seat ring	1				
18	427567	Flexible pin ø 5 x 32	1				
19	912709	Bolt ø 3/8" - 16 UNC x 1"	4				
20	520676	Lock washer M5	2				
21	881243	Flat washer 170 x 300 x 19	1				
22	912782	Hex. nut ø 7/16" - 20 UNF	1				
23	912998	Lock washer 7/16"	1				
24	937607	Bushing ø 17.6 x 16	8				
25	939140	Screw M6 x 16	8				

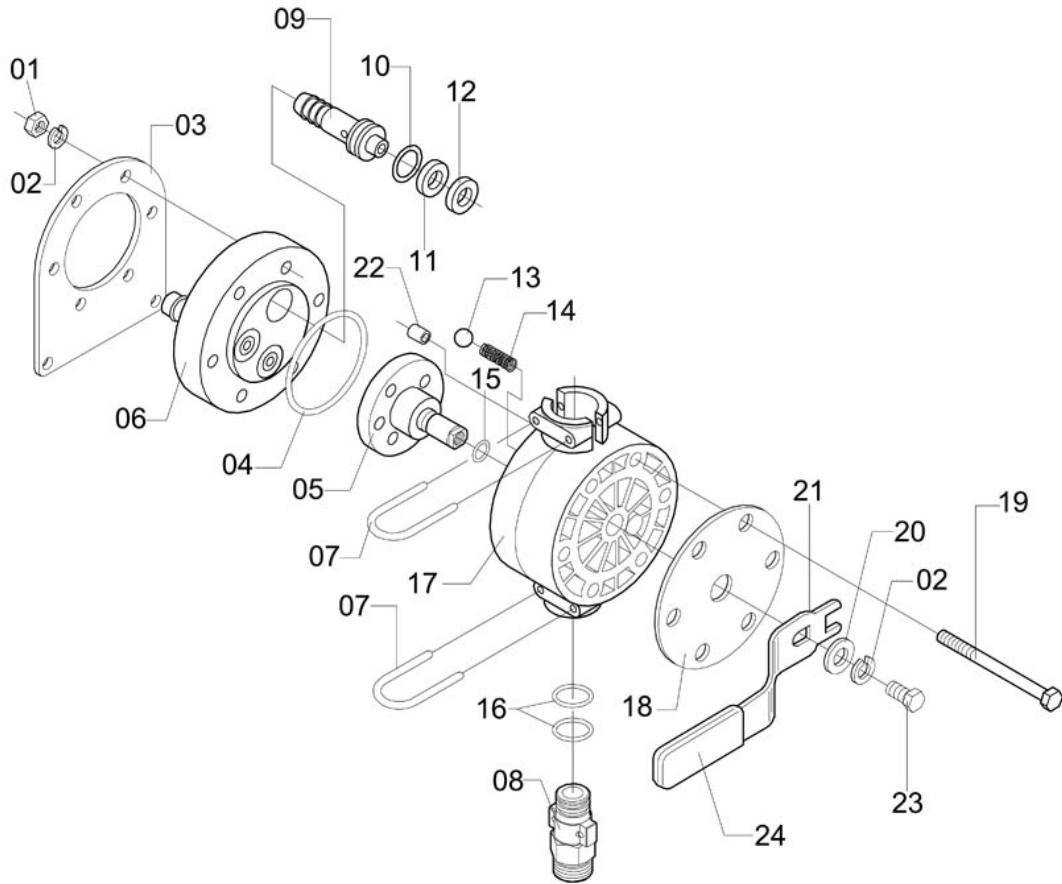
## DRIVEN TRANSMISSION AND COMPLEMENTS



**TMV-14**

Item	CODE	DESCRIPTION	Qty.	Item	CODE	DESCRIPTION	Qty.
00	084111	Driven transmission and complements	1				
01	083584	Transmission support frame	1				
02	083774	Fan 550/9	1				
03	084103	Bearing block no. 22	1				
04	209163	Lock washer M12	4				
05	209395	Lock washer M10	4				
06	015305	Square key 5/16" x 30	2				
07	326280	Nut ø 1/2" UNC	2				
08	941948	Tightening screw ø 1/2" - 13 UNC	2				
09	910166	Snap ring for shaft	1				
10	937722	Hex. nut M-12 x 1.75	4				
11	652594	Hex. nut M-22 x 1.5	1				
12	818112	Flat washer 130 x 240 x 30	6				
13	829374	Hex. head bolt M8 x 20 x 1.25 -cl 8.8	1				
14	086439	Hex. bolt M12 x 30 x 1.75	4				
15	881318	Flat washer 235 x 500 x 31	1				
16	912717	Bolt 3/8" x 16 UNC x 1.3/4"	4				
17	917526	Lock washer ø 7/8"	1				
18	083436	Pulley 70-3-3V	1				
19	083444	Shaft 221	1				
20	202549	Fixed bearing	1				
21	203737	Fixed bearing	1				
22	209569	Snap ring for shaft ø 50	1				
23	507665	Flat washer 82 x 506 x 30	1				
24	519736	Lock washer M8	1				
25	734376	Engine bearing block body	1				

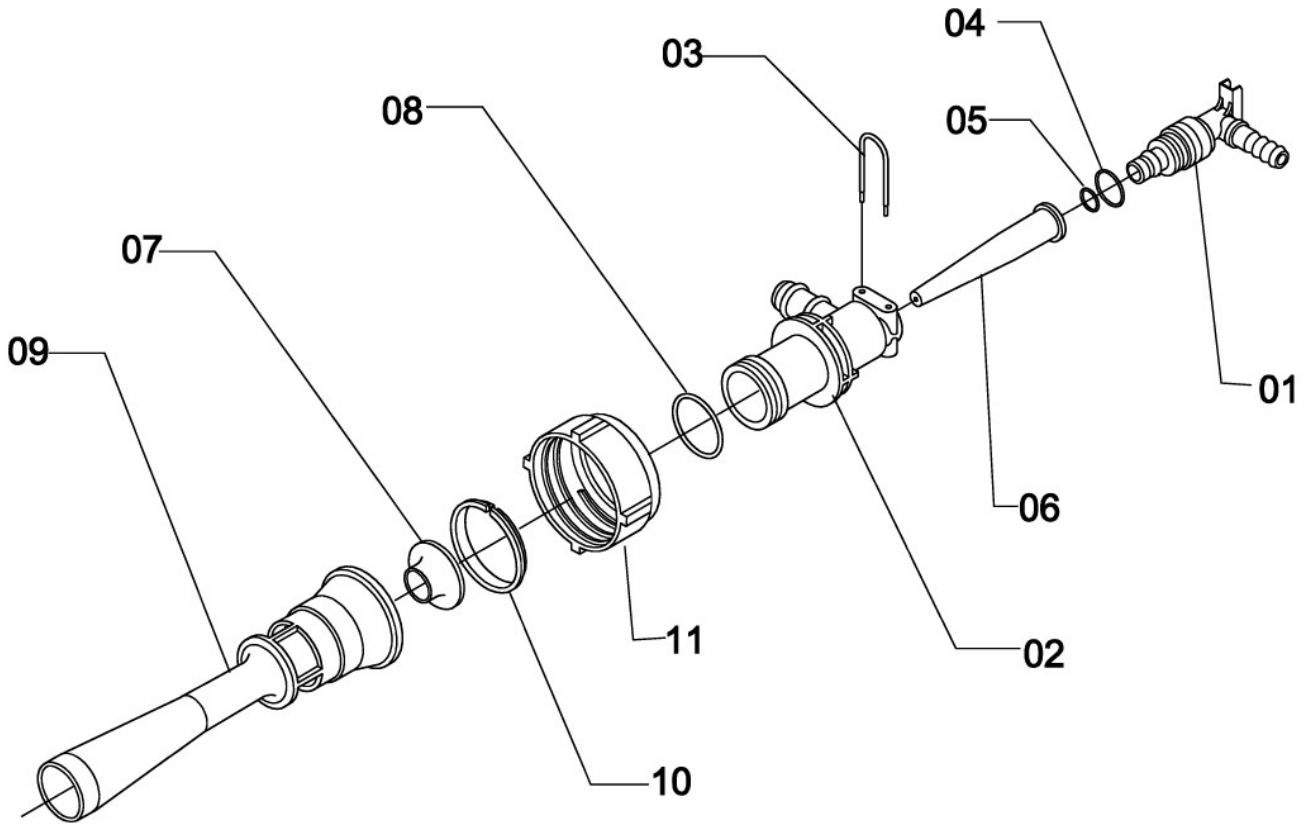
## DIRECTIONAL VALVE



CV-335

Item	CODE	DESCRIPTION	Qty.	Item	CODE	DESCRIPTION	Qty.
00	348904	Directional valve 2 L/Min.	1				
01	810770	Hex. nut M-8 x 1.25	6				
02	519736	Lock washer M8	7				
03	358382	Support	1				
04	358242	O-ring ORI - 142	1				
05	348805	Distributor	1				
06	333096	Valve cover	1				
07	348771	Lock	2				
08	170399	Male fitting $\varnothing$ 3/4" BSP	1				
09	346130	Hose fitting $\varnothing$ 1/4"	3				
10	706796	O-ring OR1-114	4				
11	414771	O-ring $\varnothing$ 20 x 11 x 3.0	3				
12	348813	Packing ring	3				
13	358234	Ball $\varnothing$ 1/2"	1				
14	411603	Compression spring	1				
15	416669	O-ring OR1-110	1				
16	358226	O-ring ORI - 116	4				
17	333039	Valve body	1				
18	348763	Plate	1				
19	358218	Hex. bolt M8 x 80 x 1.25	6				
20	013433	Flat washer	1				
21	348870	Lever	1				
22	555037	Bushing	1				
23	033696	Hex. head bolt M8 x 12 x 1.25	1				
24	945964	Lever handgrip	1				

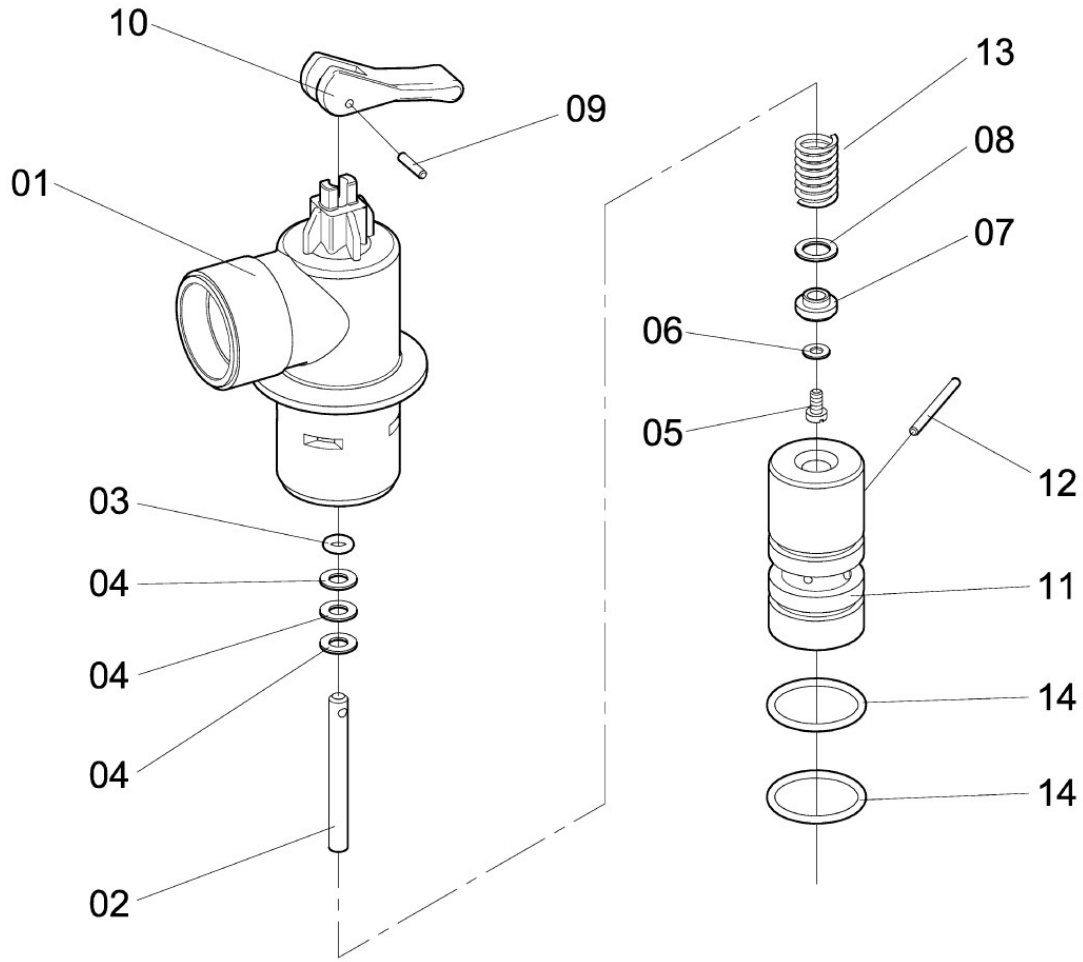
# HYDRAULIC AGITATOR



**MM-13**

Item	CODE	DESCRIPTION	Qty.	Item	CODE	DESCRIPTION	Qty.
00	139584	Hydraulic agitator	1				
01	764365	Agitator elbow 1/2"	1				
02	764373	Agitator body	1				
03	348789	Lock 22	1				
04	832857	O-ring OR1-115	1				
05	909234	O-ring OR1-013	1				
06	764357	Disc holder	1				
07	088609	Full flow cell - 50 liters	1				
08	106948	O-ring OR1-130	1				
09	764381	Agitator venturi	1				
10	005918	Locking ring	1				
11	005900	Coupling nut	1				

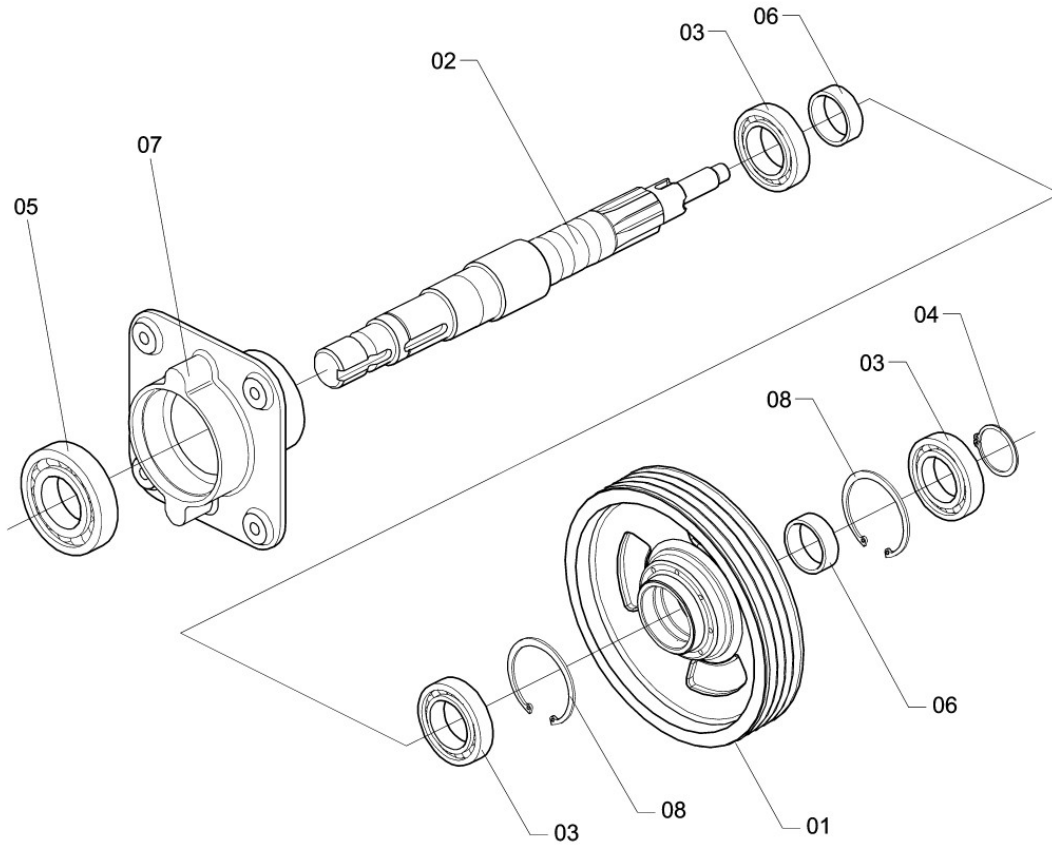
## VALVE - CHEMICAL CONTAINER RINSE NOZZLE



CV-108

Item	CODE	DESCRIPTION	Qty.	Item	CODE	DESCRIPTION	Qty.
00	136879	Valve - chemical container rinse nozzle	1				
01	054403	Valve body	1				
02	049841	Spring guide pin	1				
03	050237	O-ring OR2-108	1				
04	050195	Flat washer 64 x 125 x 95 stainless steel	3				
05	050211	Screw M4 x 8	1				
06	050187	Flat washer 43 x 90 x 8	1				
07	048199	Seal	1				
08	050203	Flat washer 94 x 142 x 95	1				
09	049858	Lever pin	1				
10	054445	Rinse nozzle lever	1				
11	136853	Valve core	1				
12	136861	Lock pin	1				
13	044057	Compression spring 12.7	1				
14	011668	O-ring OR1-122	2				

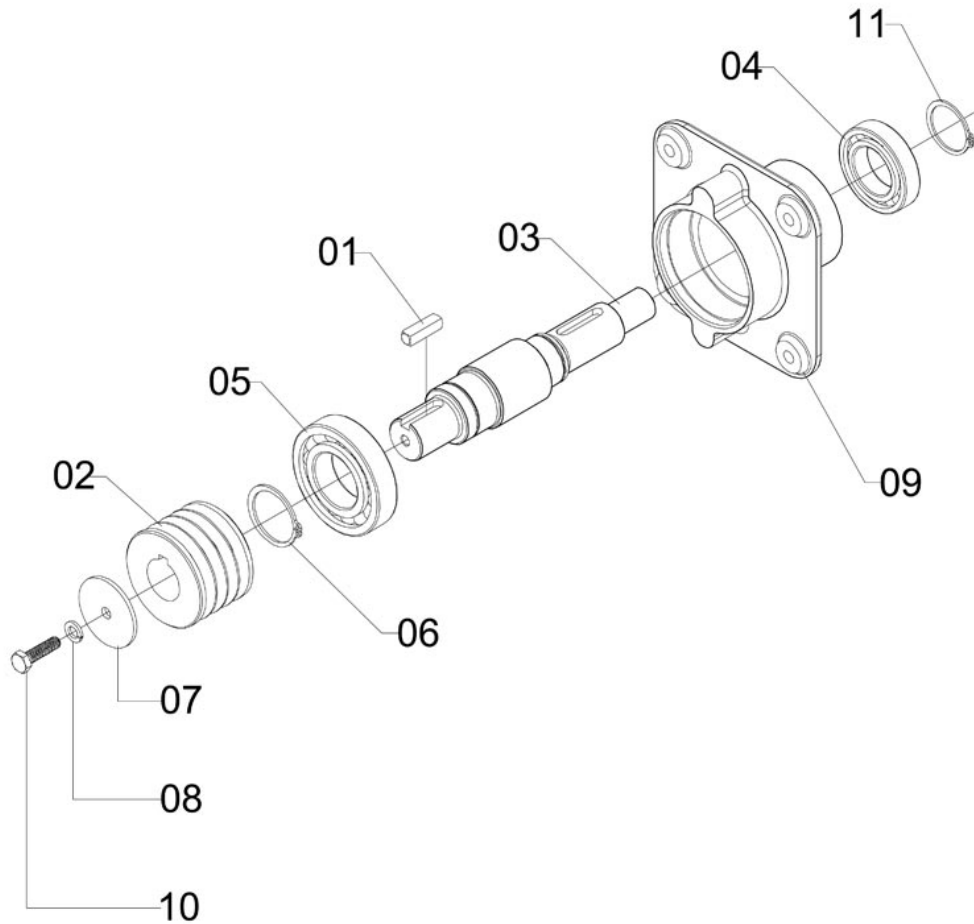
## ANTIFRICTION BEARING



TMT-36

Item	CODE	DESCRIPTION	Qty.	Item	CODE	DESCRIPTION	Qty.
00	168955	Bearing no. 25	1				
01	168823	Pulley 260-3-3V	1				
02	140731	Shaft 395	1				
03	202549	Fixed bearing	3				
04	203067	Snap ring for shaft ø 35	1				
05	203737	Fixed bearing	1				
06	328021	Spacer ring ø 41 x 12.6/12.8	2				
07	734376	Engine bearing body	1				
08	910174	Snap ring for hole ø 62	2				

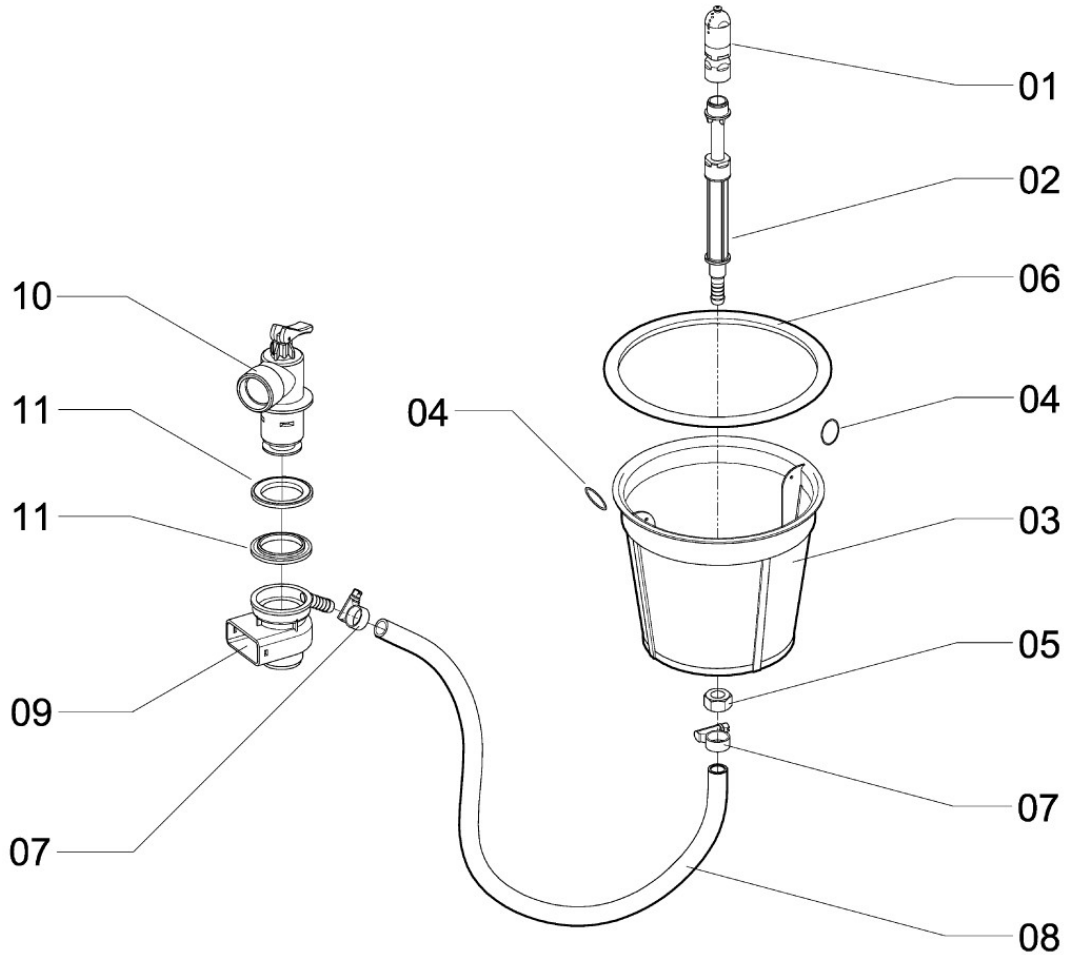
## ANTIFRICTION BEARING



TMV-42

Item	CODE	DESCRIPTION	Qty.	Item	CODE	DESCRIPTION	Qty.
00	084103	Bearing block no. 22	1				
01	015305	Square key 5/16" x 30	1				
02	083436	Pulley 70-3-3V	1				
03	083444	Shaft 221	1				
04	202549	Fixed bearing	1				
05	203737	Fixed bearing	1				
06	209569	Snap ring for shaft ø 50	1				
07	507665	Flat washer 82 x 506 x 30	1				
08	519736	Lock washer M8	1				
09	734376	Engine bearing body	1				
10	810705	Bolt M-8 x 30 x 1,25	1				
11	910166	Snap ring for shaft	1				

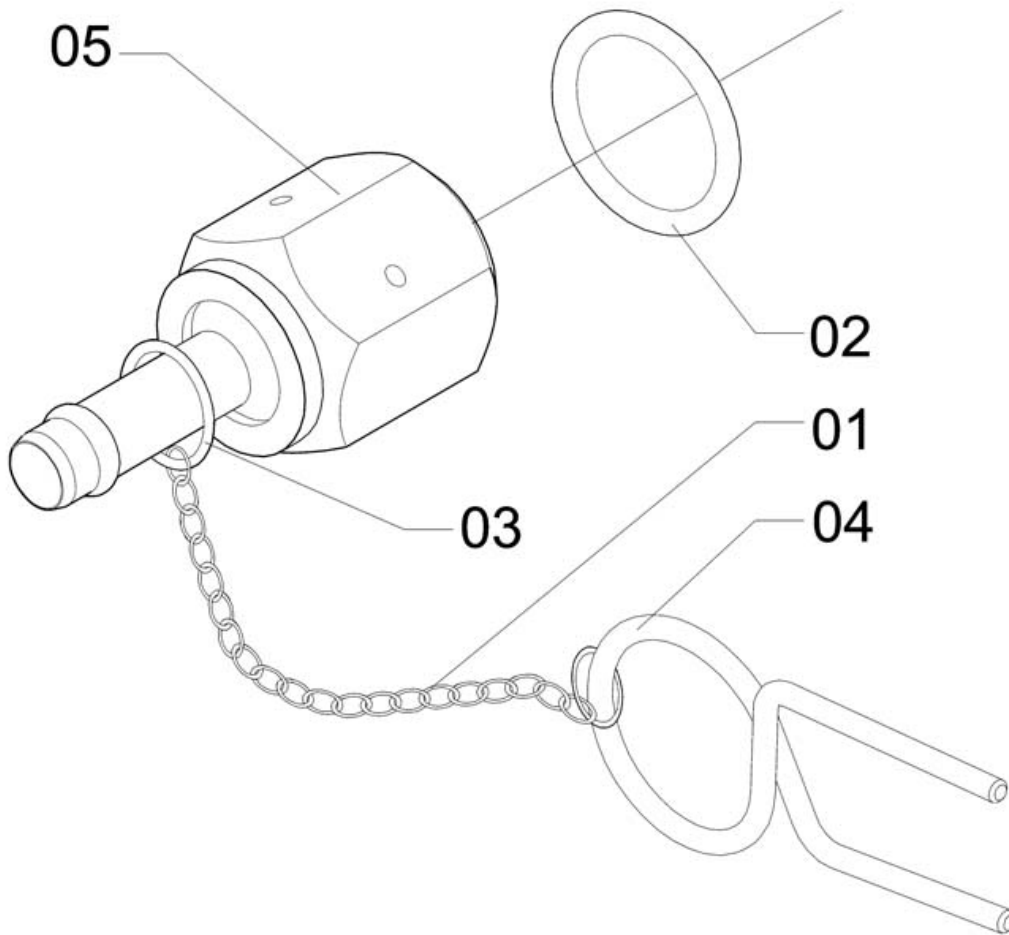
## CHEMICAL CONTAINER RINSE NOZZLE KIT



KIT-29

Item	CODE	DESCRIPTION	Qty.	Item	CODE	DESCRIPTION	Qty.
00	136648	Chemical container rinse nozzle kit	1				
01	071944	Rinse nozzle	1				
02	088237	Chemical container rinse nozzle rod	1				
03	061788	Strainer 190-2T	1				
04	622969	Double ring $\varnothing$ 22 x 26 x 3	2				
05	938498	Hex. nut M16 x 2.00	1				
06	516393	Strainer packing ring	1				
07	107664	Clamp D14-22 - stainless steel	2				
08	071886	Hose 12.7 (1/2") x 600	1				
09	054411	Valve fastener	1				
10	136879	Valve - chemical container rinse nozzle	1				
11	088245	Packing ring	2				

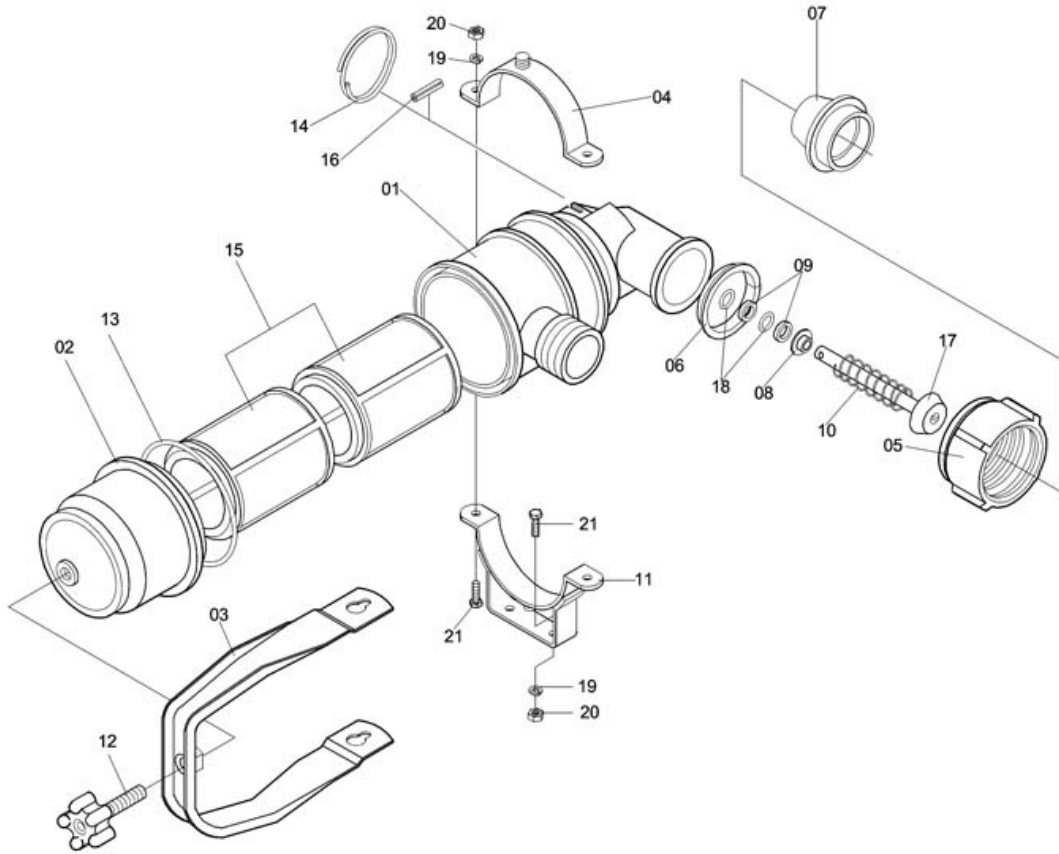
**QUICK FITTING 1/2"**



**CXA-233**

Item	CODE	DESCRIPTION	Qty.	Item	CODE	DESCRIPTION	Qty.
00	595827	Quick fitting 1/2"	1				
01	437822	Chain 120 mm	1				
02	440982	O-ring OR1-117	1				
03	622969	Double ring ø 22 x 26 x 3	2				
04	636399	Quick fitting clamp	1				
05	636407	Spray gun quick fitting 1/2"	1				

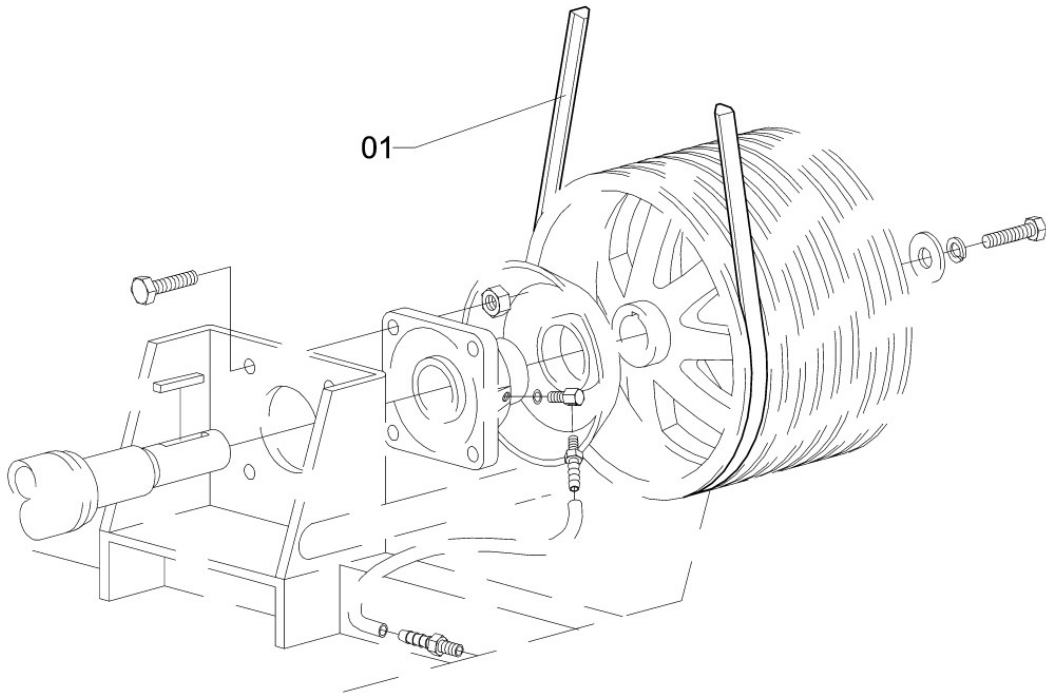
# FILTER FVS-100



**F-38**

Item	CODE	DESCRIPTION	Qty.	Item	CODE	DESCRIPTION	Qty.
00	005777	Filter FVS-100	1				
01	005785	Filter body	1				
02	005793	Filter cover	1				
03	005827	Filter handle	1				
04	005850	Half-strap	1				
05	005900	Coupling nut filter	1				
06	005918	Locking ring	1				
07	005934	Valve seat	1				
08	005967	Spring seat	1				
09	005975	Spacer washer	2				
10	006148	Compression spring	1				
11	010967	Half-strap with support	1				
12	011734	Bolt with knob	1				
13	012138	O-ring ORI - 241	1				
14	012146	Ring $\varnothing$ 40	1				
15	012492	Double filtering element	1				
16	105288	Flexible pin $\varnothing$ 4 x 20 (heavy)	1				
17	110817	Valve	1				
18	416669	O-ring OR1-110	2				
19	521666	Lock washer M6	4				
20	730309	Hex. nut M6 x 1.00 - Steel	4				
21	810697	Bolt M6 x 1 x 20	4				

# TRAPEZE BELT

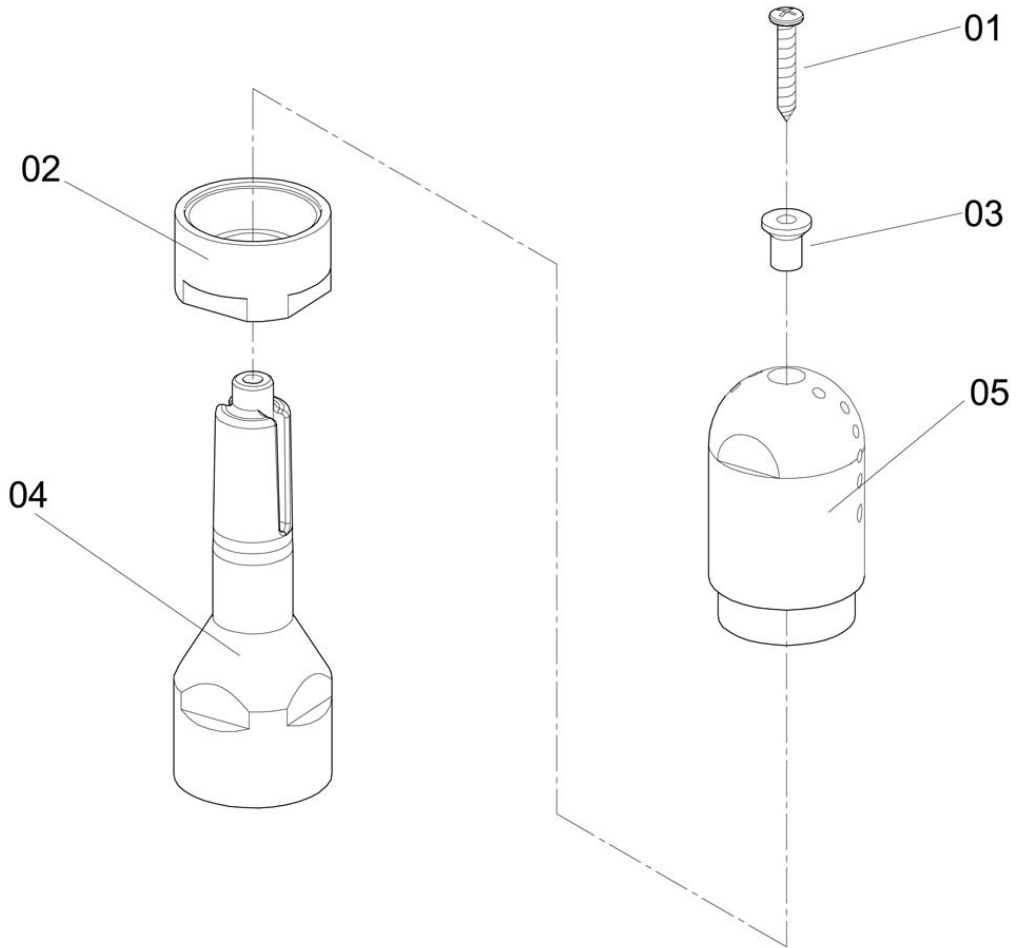


**TMT-98**

Item	CODE	DESCRIPTION	Qty.
00	728105	Trapeze belt HY-T3V-0600	1
01	728105	Trapezoidal belt HY-T 3V-0600	9

Item	CODE	DESCRIPTION	Qty.

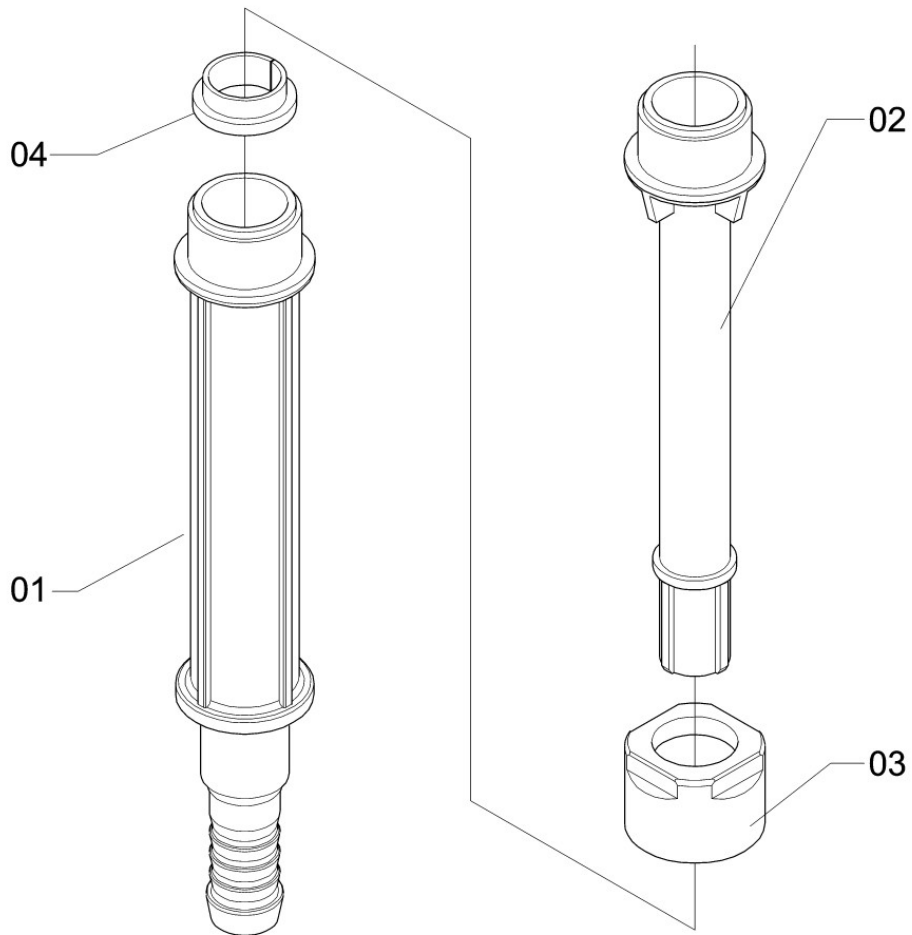
# RINSE NOZZLE



**KIT-75**

Item	CODE	DESCRIPTION	Qty.	Item	CODE	DESCRIPTION	Qty.
00	071944	Rinse nozzle	1				
01	483628	Bolt 2.9 x 22	1				
02	059055	Nozzle nut	1				
03	061119	Bushing	1				
04	058909	Nozzle core	1				
05	060426	Nozzle body	1				

## CHEMICAL CONTAINER RINSE NOZZLE ROD

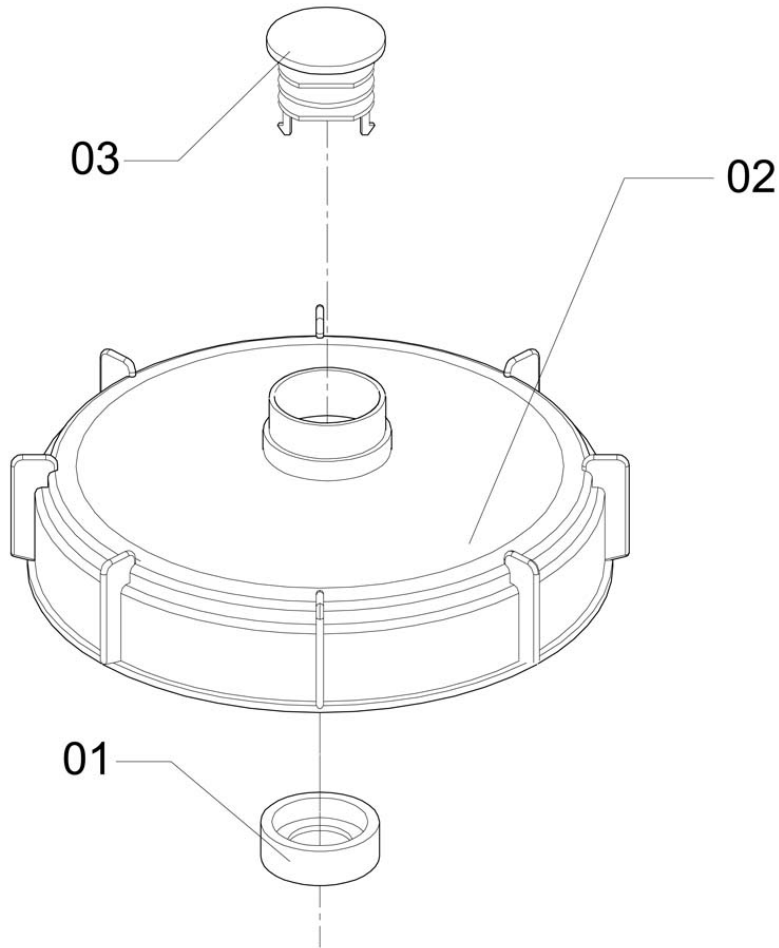


KIT-76

Item	CODE	DESCRIPTION	Qty.
00	088237	Chemical container rinse nozzle rod	1
01	058834	Nozzle rod	1
02	083907	Rod extension	1
03	087882	Extension nut	1
04	134221	Lock ring	1

Item	CODE	DESCRIPTION	Qty.

**LID WITH BREATHER**



**D-101**

Item	CODE	DESCRIPTION	Qty.	Item	CODE	DESCRIPTION	Qty.
00	037374	Lid with breather	1				
01	088419	Labyrinth lock	1				
02	233965	Spray tank lid	1				
03	088427	Labyrinth	1				