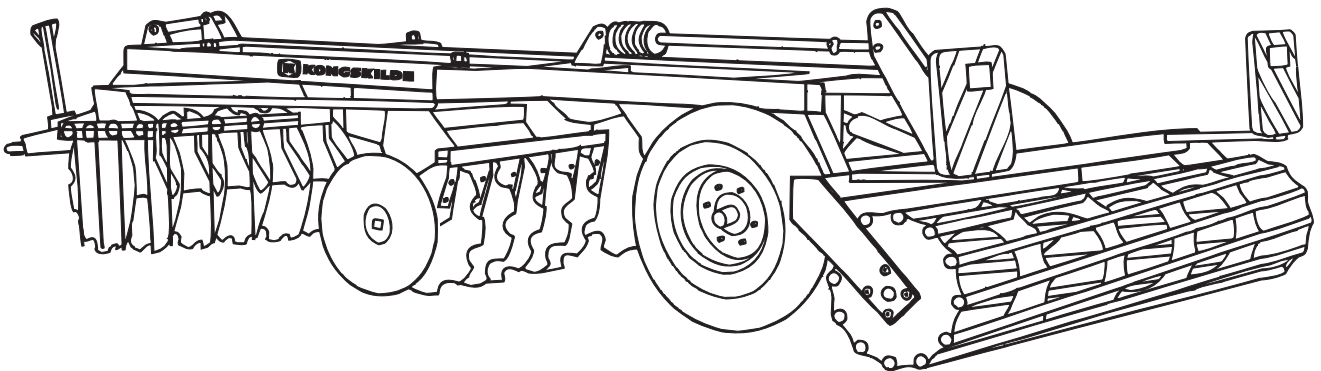
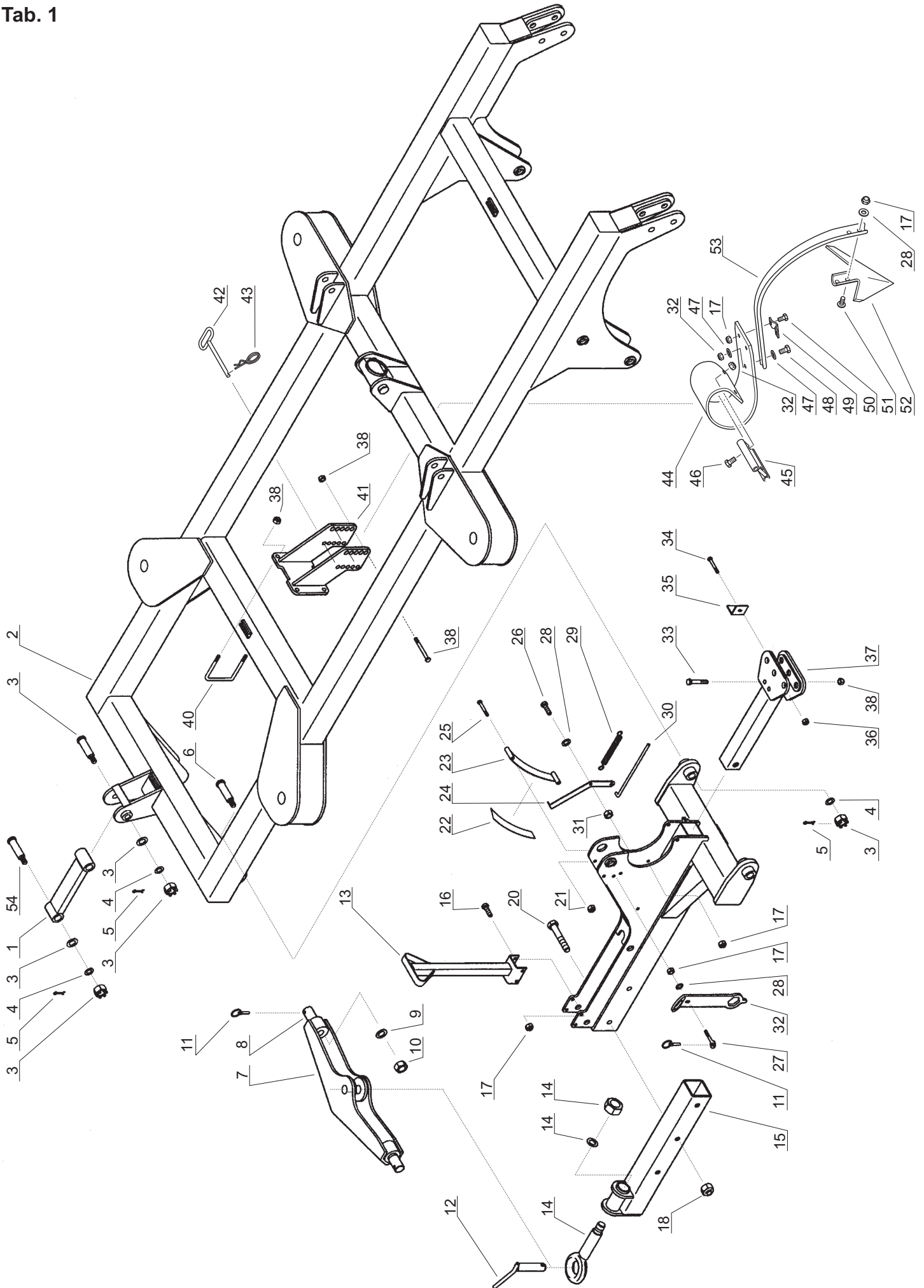


TERRA X 300, 400, 450



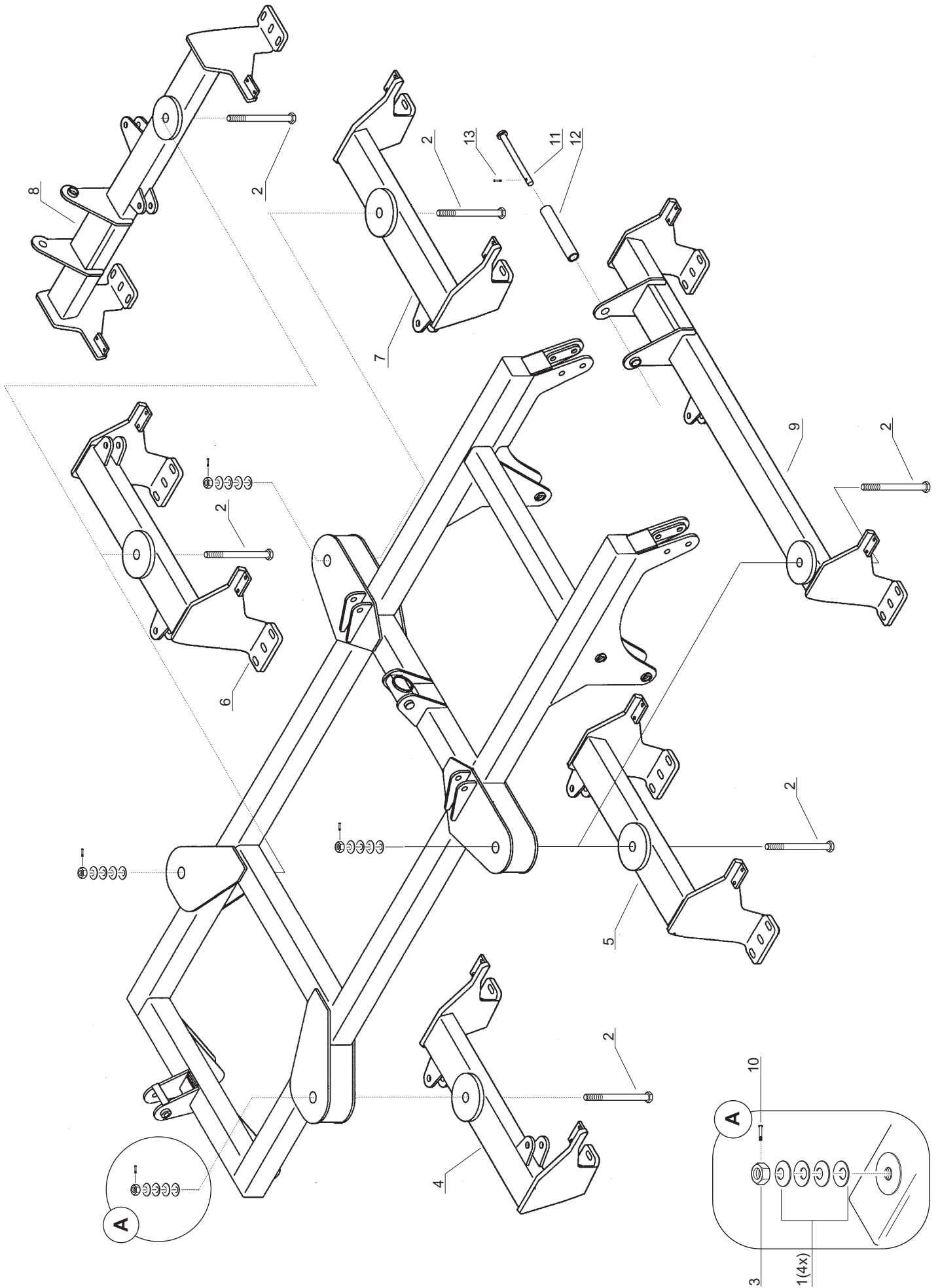
- GB** Spare parts list
- PL** Katalog części zamiennych
- DK** Reservedelsliste

Tab. 1

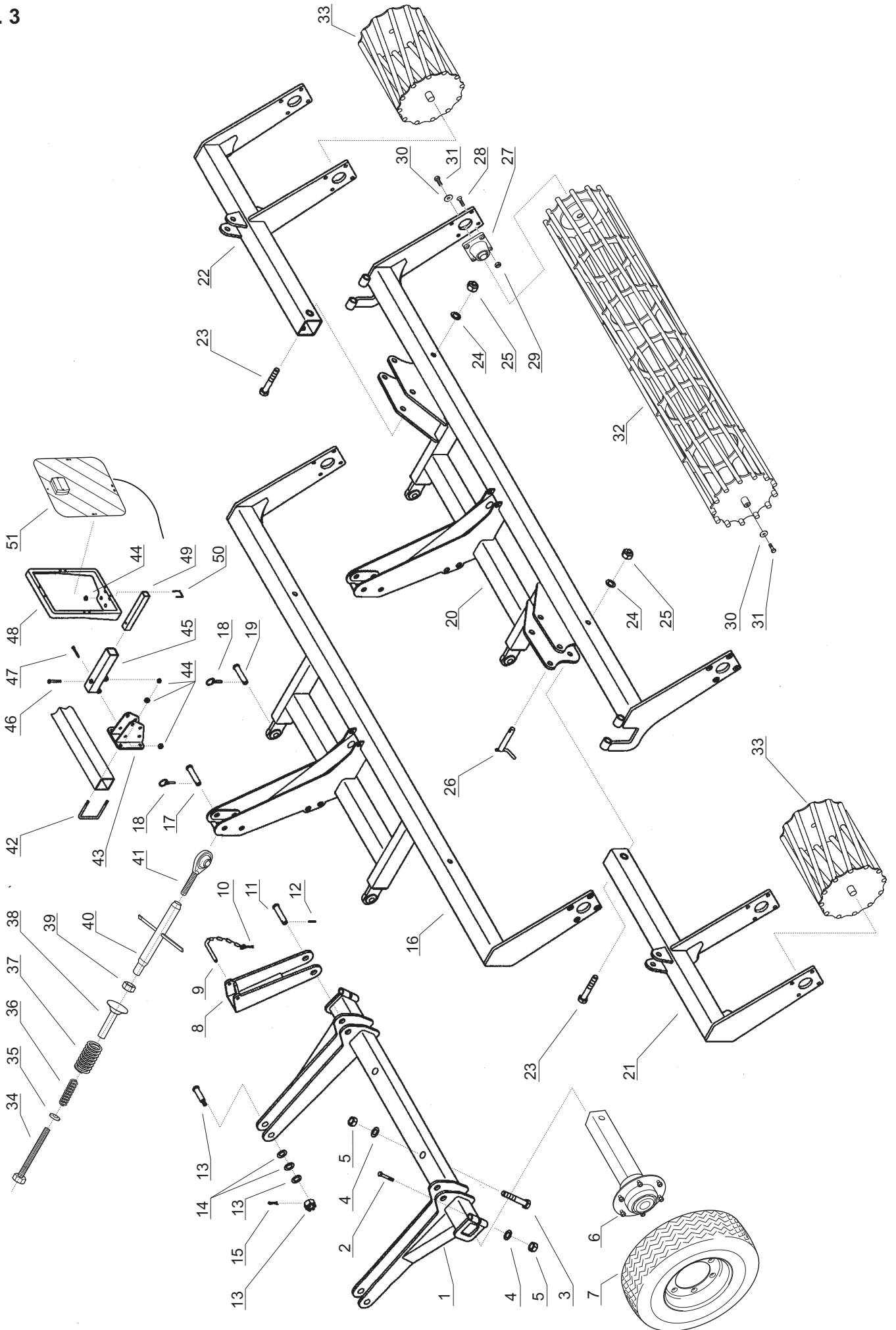


| Fig. | Serial no. | Part no. | Pieces | Notes | | | Tab. 1 | | |
|------|------------|-------------|--------|---------------------------------|------------------------------|------------------------|---------|---------------|------------------|
| 1 | | 7203301074 | 1 | Knochen | Łącznik | Link | | | |
| 2 | | 7203302036 | 1 | Hauptrahmen | Rama główna | Main frame | | | |
| 3 | | 7203302031 | 1 | Federbolzen mit Kronenmutter | Sworzeń z nak. koron. | Spring pin with nut | | 30x150 | |
| 4 | | 300332037 | 4 | Scheibe 31 | Podkładka 31 | Washer | DIN 125 | 56x31x4 | Fe/Zn5 |
| 5 | | 300333060 | 4 | Splint | Zawlecza | Splin pin | DIN 94 | 4x45 | Fe/Zn5 |
| 6 | | 7203301020 | 2 | Federbolzen mit Kronenmutter | Sworzeń z nak. koron. | Spring pin with nut | | 30x130 | |
| 7 | | 7203301056 | 1 | Kategorie II | Dyszel II | 2-point linkage | | | |
| 7 | | 7203301065 | 1 | Kategorie III | Dyszel III | 2-point linkage | | | |
| 8 | | 7203301044 | 2 | Jochbolzen kateg.II | Sworzeń | Pin | | | |
| 8 | | 7203301062 | 2 | Jochbolzen kateg.III | Sworzeń | Pin | | | |
| 9 | | 300332035 | 2 | Scheibe 25 | Podkładka 25 | Washer | DIN 125 | 39x25x3 | Fe/Zn5 |
| 10 | | 300315013 | 2 | Mutter-6KT | Nakrętka sam. | Self locking nut | DIN 985 | M24x2 | |
| 11 | | 300323046 | 5 | Sich. Klappstecker | Przetyczka z pierśc. zab. | Linch pin | | | Fe/Zn5 |
| 12 | | 7203301068 | 1 | Sicherungsbolzen | Sworzeń | Socket pin | | | |
| 13 | | 7203301041 | 5 | Schlauchhalter | Nośnik | Frame pipe | | | |
| 14 | | 7203301051 | 1 | Zugoese komplett | Ucho dyszla | Hook | | | |
| 15 | | 7203301048 | 1 | Zugoesenrohr | Rura ucha | Hook pipe | | | |
| 16 | | 300304056 | 4 | Schraube-6KT | Śruba | Screw | DIN 933 | M12x30 | 8.8-B 8.8 |
| 17 | | 300316021 | 8 | Mutter-6KT | Nak.Sam. | Self-locking nut | DIN 985 | M12-8-B | Fe/Zn5 |
| 18 | | 300316016 | 4 | Mutter-6KT | Nak.Sam. | Self-locking nut | DIN 985 | M20 | Fe/Zn5 |
| 19 | | 7203301040 | 1 | Grundkoerper | Dyszel | Hook frame | | | |
| 20 | | 300304102 | 2 | Schraube-6KT | Śruba | Screw | DIN 912 | M20x140 | 8.8 |
| 21 | | 300316020 | 2 | Mutter-6KT | Nak.Sam. | Self-locking nut | DIN 986 | M10-8-B | Fe/Zn9 |
| 22 | | 300001967 | 1 | Scale | Naklejka | Scale | | | |
| 23 | | 7203301052 | 1 | Skalblech geschweisst | Blacha skali | Scale plade | | | |
| 24 | | 7203301043 | 1 | Zeger gekantet | Wskaźnik | Indicator | | | |
| 25 | | 300304067 | 2 | Schraube-6KT | Śruba | Screw | DIN 933 | M12x90-8.8-B | 8.8 |
| 26 | | 300304060 | 1 | Schraube-6KT | Śruba | Screw | DIN 933 | M12x50-8.8-B | 8.8 |
| 27 | | 300304002 | 1 | Augenschraube-6KT | Śruba oczk. | Screw | DIN 444 | M12x60-8.8-B | 8.8 |
| 28 | | 300332008 | 4 | Scheibe 13 | Podkładka 13 | Washer | DIN 125 | 24x13x2.5 | Fe/Zn5 |
| 29 | | 7203301068 | 1 | Druckfeder | Sprężyna | Spring | | | |
| 30 | | 7203301035 | 1 | Druckstenge | Pręt | Arm | | | |
| 31 | | 300315003 | 1 | Mutter-6KT | Nakrętka zw. | Nut | | | M12-8-B Fe/Zn5 N |
| 32 | | 7203301028 | 1 | Serviceschluessel | Klucz serwisowy | Mounting spanner | | | |
| 33 | | 300304079 | 2 | Schraube-6KT | Śruba | Screw | DIN 931 | M16x120-8.8-B | 8.8 |
| 34 | | 300304149 | 1 | Schraube-6KT | Śruba | Screw | DIN 931 | M8x95 | 8.8 |
| 35 | | 7203301025 | 1 | Ausschlagwinkel | Blokada | Block | | | |
| 36 | | 300316027 | 1 | Mutter-6KT | Nakrętka sam. | Self-locking nut | DIN 985 | M8-8-B | Fe/Zn9 |
| 37 | | 7203301053 | 1 | Terra 3m X | | | | | |
| 37 | | 7203301054 | 1 | Terra 3m V | | | | | |
| 37 | | 7203301055 | 1 | Terra 4 i 4.5m | | | | | |
| 38 | | 300316023 | 10 | Mutter-6KT | Nakrętka sam. | Self-locking nut | DIN 985 | M16-8-B | Fe/Zn5 |
| 39 | | 71301616185 | 1 | Schraube-6KT | Śruba | Screw | DIN 931 | M16x180 | |
| 40 | | 7203305004 | 2 | Buegelschraube | Trzymak | U-bolt | | M16 | |
| 41 | | 7203305003 | 1 | Mittelzinkenhalter | Trzymak | Harrow tine | | | |
| 42 | | 71918846704 | 1 | Absteckbolzen | Sworzeń | Handle pin | | | |
| 43 | | 300333065 | 1 | Splint | Zawlecza | Hair pin clip | | | A71 Fe/Zn |
| 44 | | 71208051931 | 1 | Oberfeder | Spr. Górna talerza | Harrow tine upper part | | 120x12 | |
| 45 | | 300055400 | 1 | Scharhalterung | Trzymak spawany | Tine holder | | | |
| 46 | | 300304093 | 2 | Schraube-6KT | Śruba | Screw | DIN 933 | M16x45-8.8-B | 8.8 N |
| 47 | | 300332009 | 3 | Scheibe 17 | Podkładka 17 | Washer | DIN 125 | 17 | Fe/Zn5 |
| 48 | | 300304094 | 1 | Schraube-6KT | Śruba | Screw | DIN 933 | M16x50-8.8 B | 8.8 N |
| 49 | | 71209026502 | 1 | Bugel | Jarzmo | U-bolt | | | |
| 50 | | 300304058 | 2 | Schraube-6KT | Śruba | Screw | DIN 933 | M12x40- 8.8-B | 8.8 |
| 51 | | 71374212480 | 2 | Planetsschraube | Śruba lemieszowa | Screw | | M12x48 MU | |
| 52 | | 71209026500 | 1 | Gansezufuzschasr | Redliczka gęsia stópka | Goose-foot share | | 250x6 | |
| 53 | | 71209026501 | 1 | Scharstiel | Ząb redliczki | Tine | | | |
| 54 | | 7203301020 | 1 | Federbolzen | Sworzeń | Spring pin | | 30x130 | |

Tab. 2



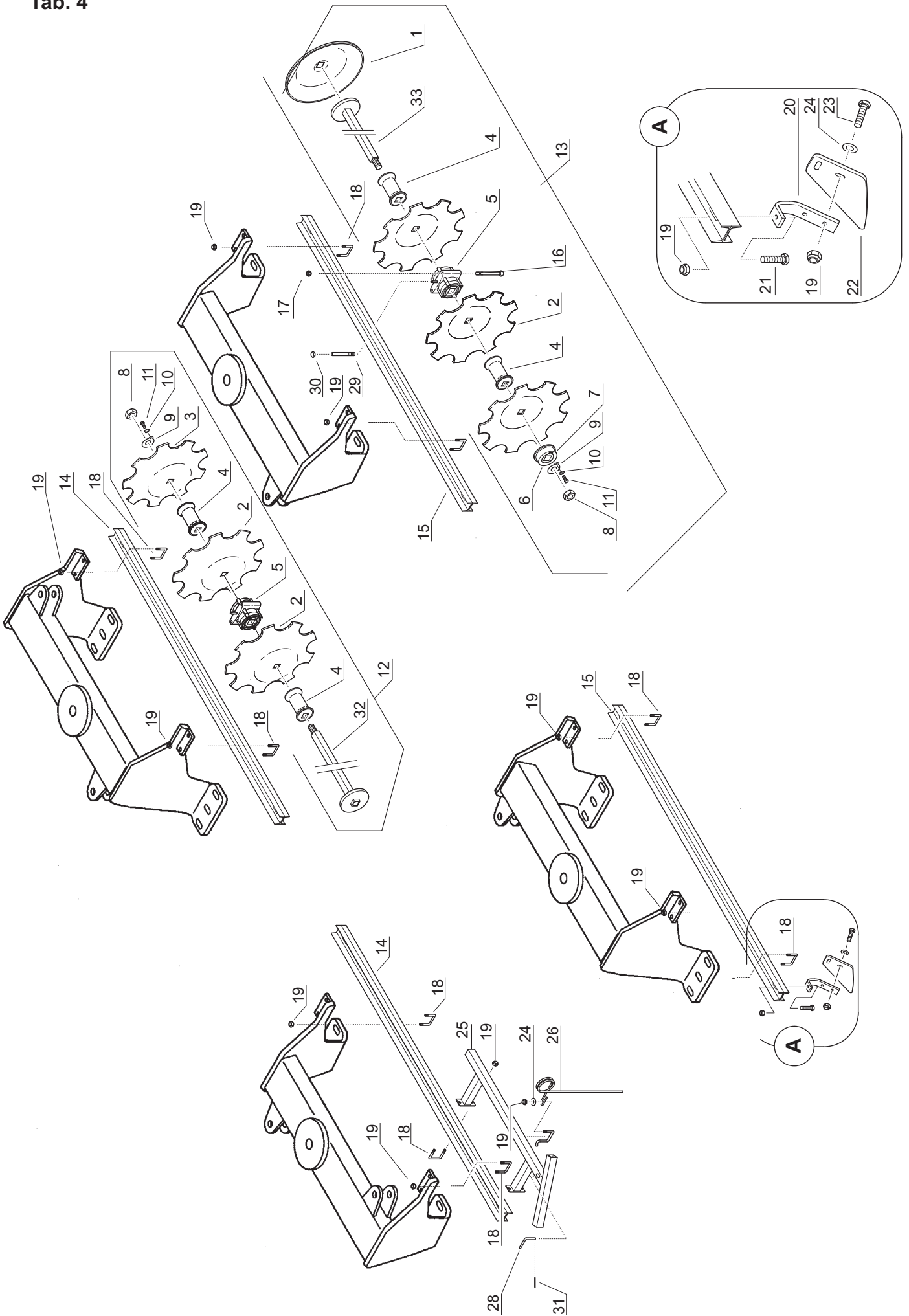
Tab. 3



Tab. 3

| Fig. | Serial no. | Part no. | Pieces | Notes | | | | |
|------|------------|-------------|--------|------------------------------|-----------------------|-----------------------|------------------------|------------------|
| 1 | | 7203304010 | 1 | Swinge geschweisst | Rama kół | Wheels frame | | |
| 2 | | 71301620165 | 2 | Schraube-6KT | Śruba | Screw | DIN 931 | M20x160 |
| 3 | | 300304263 | 2 | Schraube-6KT | Śruba imb. | Screw | DIN 912 | M20x120 10.9 |
| 4 | | 300332034 | 4 | Scheibe 21 | Podkładka 21 | Washer | DIN 125 | |
| 5 | | 300316016 | 4 | Mutter-6KT | Nakrętka sam. | Self-locking nut | DIN 985 | M20 Fe/Zn5 |
| 6 | | 7203304012 | 2 | Laufachsstummel | Oś koła jezdznego | Wheels axle | | ADR 70460 |
| 7 | | 7203304013 | 2 | Rader kpl. | Koło kpl. | Wheel kpl. | 11.5/80 15.3 10PR | 3m |
| 7 | | 7203304014 | 2 | Rader kpl. | Koło kpl. | Wheel kpl. | 15.0/55-1710PR | 4m |
| 8 | | 7203304009 | 2 | Verriegelung geschweisst | Trzymak cylindra | Cylinder holder | | |
| 9 | | 300001934 | 2 | Bolzen | Przetyczka | Pin | | |
| 10 | | 200217316 | 2 | Kette | Łańcuch | Chain | 2.4x10mm 8GL+Spl(4x40) | ZN |
| 11 | | 300055500 | 2 | Bolzen | Sworzeń spaw. | Pin | | |
| 12 | | 300323013 | 2 | Spannhulse | Kolek spr. | Tension pin | DIN 1481 | 10x40 Fe/Zn5 |
| 13 | | 7203302031 | 2 | Federbolzen mit Kronenmutter | Sworzeń z nak. koron. | Spring pin with nut | | 30x150 |
| 14 | | 300332037 | 4 | Scheibe 31 | Podkładka 31 | Washer | DIN 125 | 56x31x4 Fe/Zn5 |
| 15 | | 300333060 | 2 | Splint | Zawlecзка | Splin pin | DIN 94 | 4x45 Fe/Zn5 |
| 16 | | 7203306025 | 1 | Walzenrahmen 3m V, X | Rama wałów | Roller frame | | |
| 17 | | 300001941 | 1 | Bolzen | Sworzeń | Pin | | 25x139 |
| 18 | | 300323046 | 3 | Sich. Klappstecker | Przetyczka z pierśc. | Linch pin | | Fe/Zn5 |
| 19 | | 300001942 | 2 | Bolzen | Sworzeń | Pin | | 25x154 |
| 20 | | 7203306026 | 1 | Walzenrahmen klapp | Rama wałów | Roller frame | | |
| 21 | | 7203306034 | 1 | Klappenelement 4m links | Rama walca lewa | Roller frame left | | |
| 21 | | 7203306036 | 1 | Klappenelement 4.5m links | Rama walca lewa | Roller frame left | | |
| 22 | | 7203306033 | 1 | Klappenelement 4m rechts | Rama walca prawa | Roller frame right | | |
| 23 | | 300304124 | 2 | Schraube-6KT | Śruba | Screw | DIN 931 | M24x260 |
| 24 | | 300332067 | 2 | Scheibe 25 | Podkładka 25 | Washer | DIN 125 | 39x25x3 Fe/Zn5 |
| 25 | | 300316012 | 2 | Mutter-6KT | Nakrętka sam. | Self-locking nut | DIN 985 | M24x2 Fe/Zn5 |
| 26 | | 7203306040 | 2 | Sicherungsbolzen | Bolec | Pin | | 25x220 |
| 27 | | 71255090521 | 4 | Flanchlager | Łożysko wału strun. | Bearing | | |
| 28 | | 71339216555 | 16 | Senkschraube | Śruba lemieszowa | Screw | DIN 7991 | M16x55 |
| 29 | | 300316023 | 16 | Mutter-6KT | Nak.Sam. | Self-locking nut | DIN 985 | M16 |
| 30 | | 71918835400 | 4 | Scheibe | Podkładka | Washer | | 8x60x60 18G2 |
| 31 | | 300304051 | 4 | Schraube-6KT | Śruba | Screw | | M12x100 8.8 |
| 32 | | 7204307016 | 1 | Walze 3m | Walec strunowy | Cage roller | | 2966 mm |
| 33 | | 7203308003 | 2 | Walze Klappenelement 4m X | Walec strunowy | Cage roller | | 490 mm |
| 34 | | 7203302041 | 1 | Gewindestange | Śruba | Screw | DIN 975 | M30x50 |
| 35 | | 300332037 | 1 | Federpoket | | | | |
| 36 | | 71918844200 | 1 | Scheibe 31 | Podkładka 31 | Washer | DIN 125 | 56x31x4 Fe/Zn5 |
| 36 | | 71918844200 | 1 | Druckfeder | Sprężyna | Compression spring | | |
| 37 | | 71918844201 | 1 | Druckfeder | Sprężyna | Compression spring | | |
| 38 | | 71918842404 | 1 | Federführung kpl | Trzymak sprężyn | Spring stay | | |
| 39 | | 71307230015 | 1 | Mutter-6KT | Nakrętka | Hexagon nut | | M30 8-A2G |
| 40 | | 7203306037 | 1 | Spindelgriff geschweisst | Śruba rzymska | Link | | |
| 41 | | 71918846505 | 1 | Spind.M.Kugelaug | Przegub | Spindle | | |
| 42 | | 7203307007 | 4 | Bugelschraube | Trzymak | U-bolt | | M12 |
| 43 | | 7203307012 | 2 | Lampenrahmen Aufrahme | Trzymak ramy | Frame holder | | |
| 44 | | 300316021 | 20 | Mutter-6KT | Nakrętka Sam. | Self locking nut | DIN 985 | M12-8-B Fe/Zn9 |
| 45 | | 7203307011 | 2 | Aufnehmerhor komplett | Ramię | Beam | | |
| 46 | | 300304064 | 2 | Schraube-6KT | Śruba | Screw | | M12x70 8.8 |
| 47 | | 300304066 | 4 | Schraube-6KT | Śruba | Screw | DIN 933 | M12x80-8.8-B 8.8 |
| 48 | | 7203307006 | 2 | Lampenrahmen geschweisst | Ramka świateł | Warning plate beam | | |
| 49 | | 7203307009 | 2 | Halterrohr | Rura | Pipe | | |
| 50 | | 7203307005 | 4 | Bugelschraube | Trzymak | U-bolt | | M12 |
| 51 | | 71918844100 | 1 | Warntafelsatz | Zestaw świateł | Set of warning plates | | |

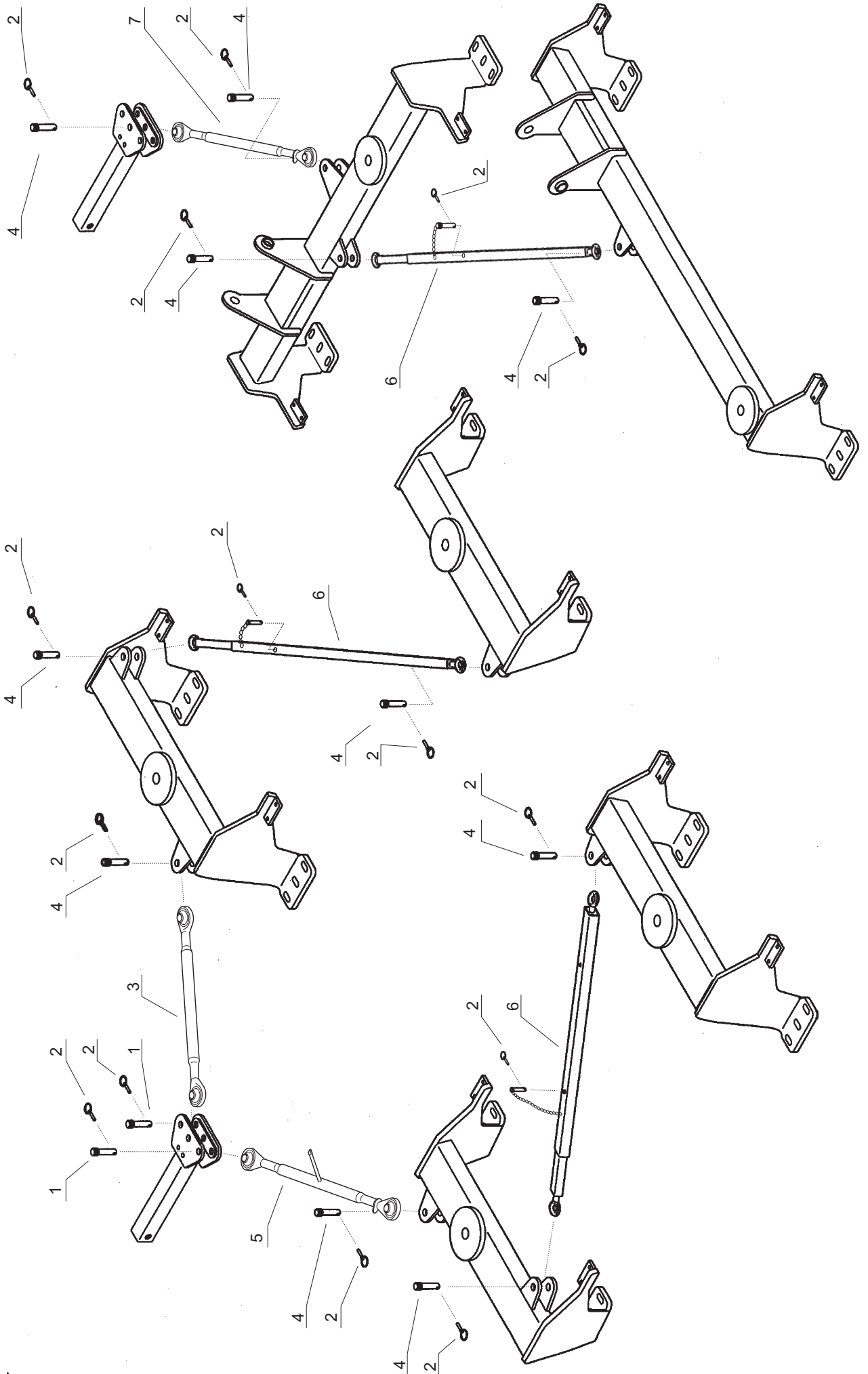
Tab. 4



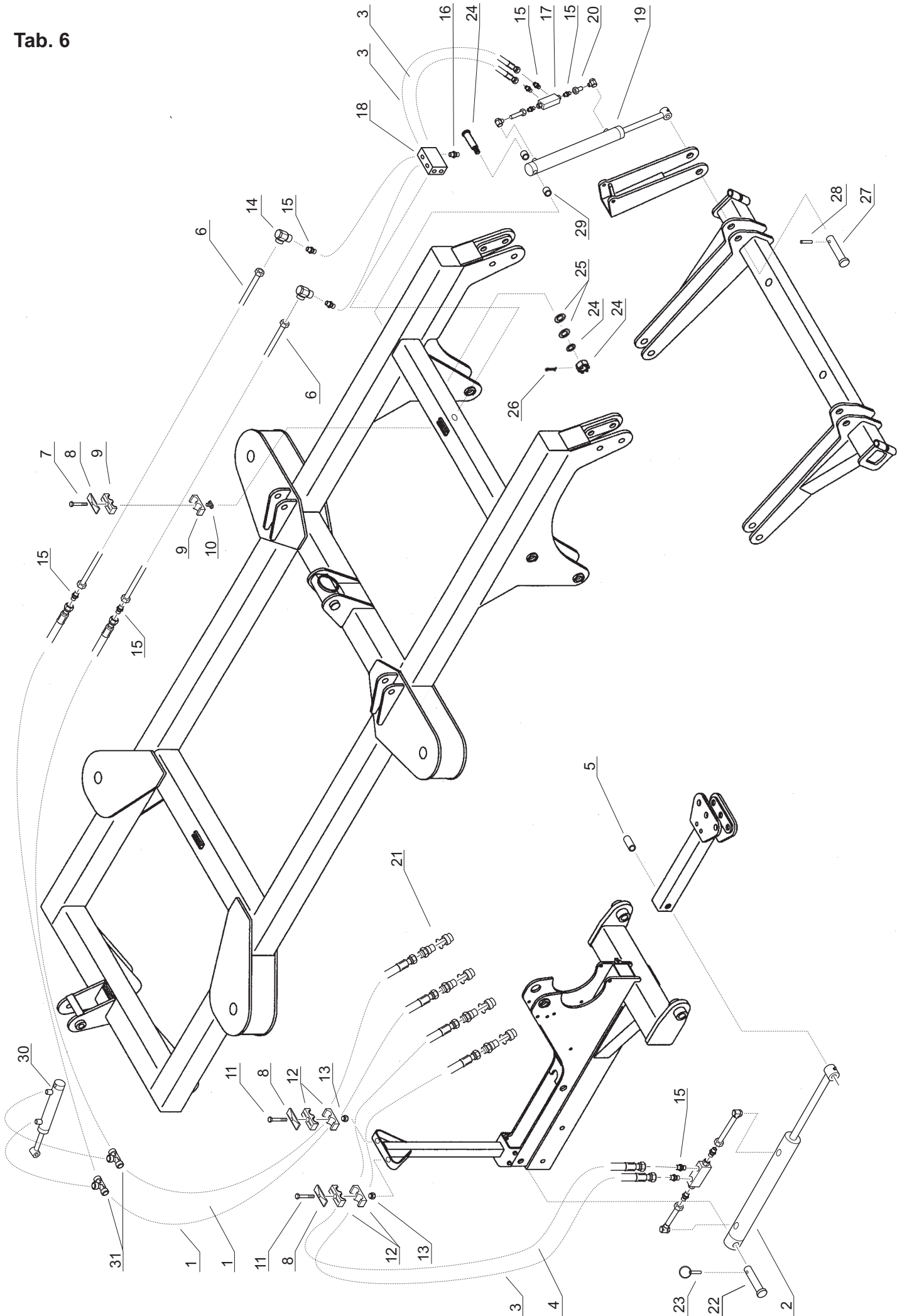
Tab. 4

| Fig. | Serial no. | Part no. | Pieces | Notes | | | | |
|------|------------|-------------|-------------|---------------------------------|---------------|--------------------|---------|-------------------------|
| 1 | | 71209026504 | 2 | Hohlscheibe glatt | Talerz gładki | Plane disc | | 560x6 |
| 2 | | 71209026490 | 20/22/28/32 | Hohlscheibe gezahnt | Talerz zębaty | Plane disc | | 660x6 |
| 3 | | 71209026503 | 2 | Hohlscheibe gezahnt | Talerz zębaty | Plane disc | | 610x6 |
| 4 | | 71209073320 | 12/18/20/24 | Distanzstück | Tuleja dyst.. | Distance bushing | | L=230 |
| 5 | | 7210000176 | 6/8 | Scheibenlagerung | Korpus łoż. | Disc bearing | | |
| 6 | | 71918845800 | 2/4 | Vorspannung | Tuleja | Ring | | 48x125x125 |
| 7 | | 71203026160 | 2/4 | Tellerfeder | Podkładka | Cup spring | | 71x36x2,5 |
| 8 | | 71918839701 | 2/4 | Spezialmutter | Śruba spec. | Nut(spec) | | M36x2 |
| 9 | | 71918839800 | 2/4 | Sicherungsblech | Podkł. spec. | Washer (spec) | | 2,99x86x100 |
| 10 | | 300332027 | 2 | Sicherungsscheibe 21 | Podkł. 21 | Washer | | 21x10.5x2 10,5 |
| 11 | | 300304031 | 2/4 | Schraube 6-KT | Śruba | Bolt | DIN 931 | M10x20-8.8 8.8 |
| 12 | | 7203303061 | 2 | Scheibenwelle vorn 3m X | Wał talerz. | Disc roller | | |
| 12 | | 7203303063 | 2 | Scheibenwelle vorn 4m X | Wał talerz. | Disc roller | | |
| 12 | | 7203303065 | 2 | Scheibenwelle vorn 4.5m X | Wał talerz. | Disc roller | | |
| 12 | | 7203303066 | 2 | Scheibenwelle v.,hint. 3m V4 | Wał talerz. | Disc roller | | |
| 12 | | 7203303067 | 2 | Scheibenwelle v.,hint. 3m V6 | Wał talerz. | Disc roller | | |
| 13 | | 7203303054 | 2 | Scheibenwelle hinten 3m X | Wał talerz. | Disc roller | | |
| 13 | | 7203303062 | 2 | Scheibenwelle hinten 4m X | Wał talerz. | Disc roller | | |
| 13 | | 7203303064 | 2 | Scheibenwelle hinten 4,5m X | Wał talerz. | Disc roller | | |
| 14 | | 7203303075 | 2 | Abstreifersch. 1134 mm 3m X | Trzym. skrob. | Scrapter holder | | |
| 14 | | 7203303077 | 2 | Abstreifersch. 1606 mm 4m X | Trzym. skrob. | Scrapter holder | | |
| 14 | | 7203303079 | 2 | Abstreifersch. 1842 mm 4.5m X | Trzym. skrob. | Scrapter holder | | |
| 14 | | 7203303081 | 2 | Abstreifersch. 2700 mm 3m V4/V6 | Trzym. skrob. | Scrapter holder | | |
| 15 | | 7203303076 | 2 | Abstreifersch. 1270 mm 3m X | Trzym. skrob. | Scrapter holder | | |
| 15 | | 7203303078 | 2 | Abstreifersch. 1742 mm 4m X | Trzym. skrob. | Scrapter holder | | |
| 15 | | 7203303080 | 2 | Abstreifersch. 1978 mm 4.5m X | Trzym. skrob. | Scrapter holder | | |
| 16 | | 71301618205 | 8/12/ 16 | Schraube-6KT | Śruba | Bolt | DIN 931 | M18x200 |
| 17 | | 71307218125 | 8/12/ 16 | Mutter-6KT | Nakrętka | Hexagon nut | DIN985 | M18 |
| 18 | | 71208007956 | 8/12 | Bugelschraube | Jarzmo | U-bolt | | M12x61x90 R7 8.8-A2G |
| 19 | | 300316021 | 26/28 | Mutter-6KT | Nakrętka sam. | Self-locking nut | DIN 985 | M12 |
| 20 | | 71918844400 | 20/22/28/32 | Halter | Ramię | Bracket | | 45x12x260 |
| 21 | | 300304058 | 20/22/28/32 | Schraube-6KT | Śruba | Bolt | DIN 931 | M12x40-8.8 8.8 |
| 22 | | 71918844700 | 20/22/28/32 | Abstreifer | Skrobak | Scrapter | | 4x180x270 |
| 23 | | 300304057 | 40/44/56/64 | Schraube-6KT | Śruba | Bolt | DIN 931 | M12x35 |
| 24 | | 300332044 | 40/44/56/64 | Sicherungsscheibe 13 | Podkł. 13 | Washer | DIN 125 | 34x13x3 |
| 25 | | 7203309012 | 2 | Überwurfbegrenzer | Rama zagarn. | Frame f. harrow | | |
| 26 | | 71209026505 | 14 | Striegelzinken | Sprężyna | Tine | | |
| 27 | | 71209026506 | 14 | U-bolzen | Jarzmo | Clamp | | |
| 28 | | 300001914 | 2 | Bolzen | Sworzeń spaw. | Pin | | |
| 29 | | 7203303082 | 6/8 | Schmiernippel-Verlaengerung | Cokół smar. | Grease nipple pipe | | |
| 30 | | 300421001 | 6/8 | Schmiernippel | Smarowniczk | Grease nipple | | M10x1 |
| 31 | | 300333065 | 2 | Splint | Zawlecza | Splint pin | DIN94 | 3x70 |
| 32 | | 71918843740 | 2 | Welle vorn 4mX | Wał talerz. | Disc roller | | |
| 32 | | 71918843745 | 2 | Welle vorn 4,5mX | Wał talerz. | Disc roller | | |
| 32 | | 7203303060 | 2 | Welle vorn /hinten 3mV4 | Wał talerz. | Disc roller | | |
| 32 | | 7203303060 | 2 | Welle vorn /hinten 3mV6 | Wał talerz. | Disc roller | | |
| 33 | | 71918843761 | 2 | Welle hinten 3mX | Wał talerz. | Disc roller | | |
| 33 | | 71918843740 | 2 | Welle hinten 4mX | Wał talerz. | Disc roller | | |
| 33 | | 71918843745 | 2 | Welle hinten 4,5mX | Wał talerz. | Disc roller | | |

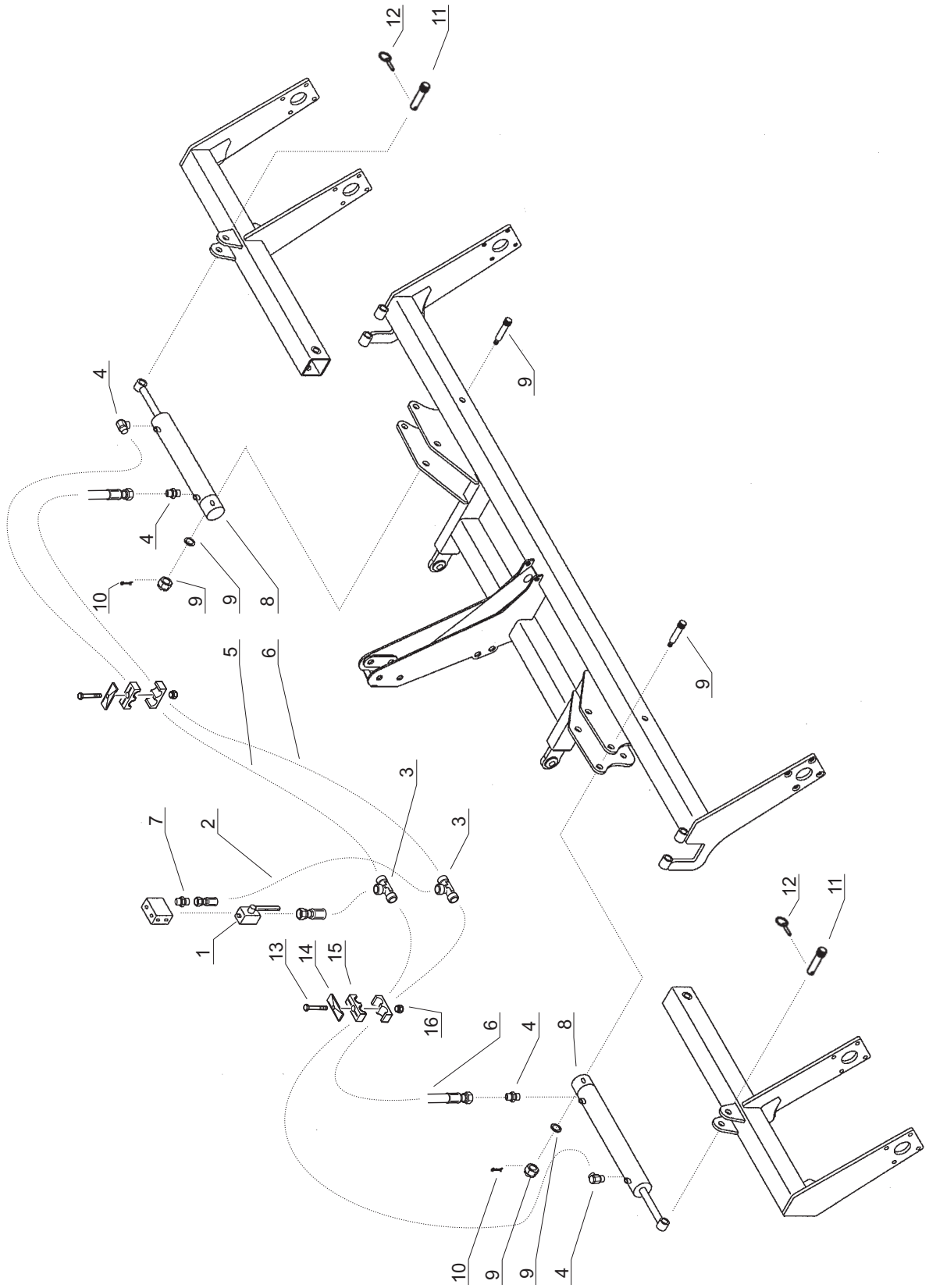
Tab. 5



Tab. 6



Tab. 7



Tab. 8

