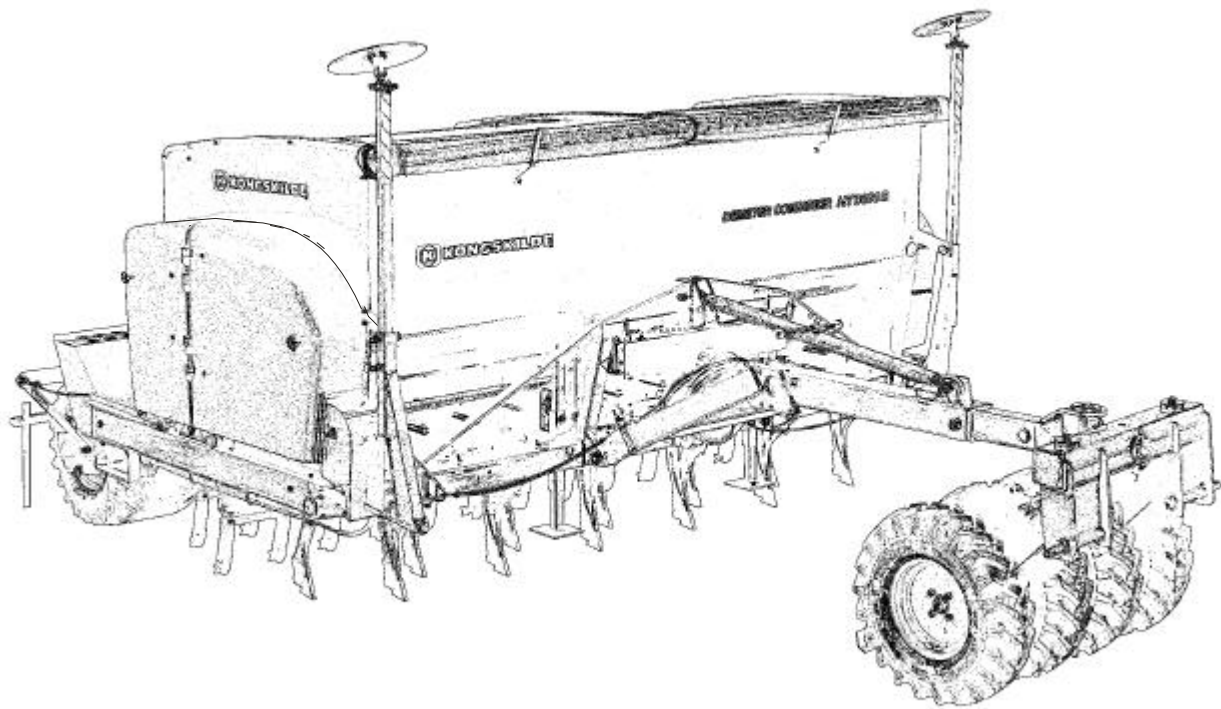
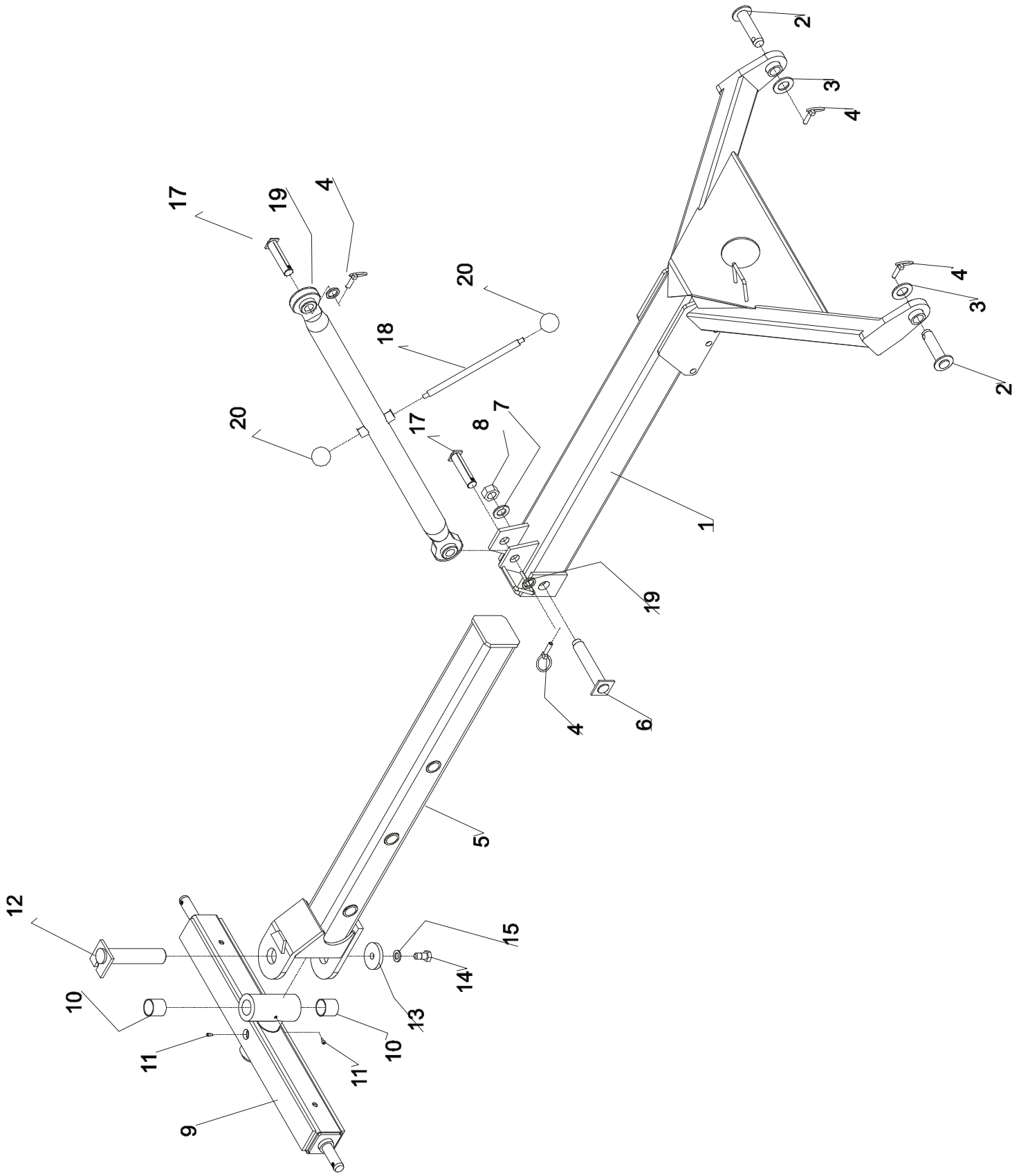


*DEMETER COMBISEED HT 3000S*



**Varaosakirja  
Reservdelsbok  
Spare parts list  
Reservedelsliste  
Ersatzteilliste  
Onderdelelijst  
Liste de pièce de rechange  
Listino di prezzi de ricambio**





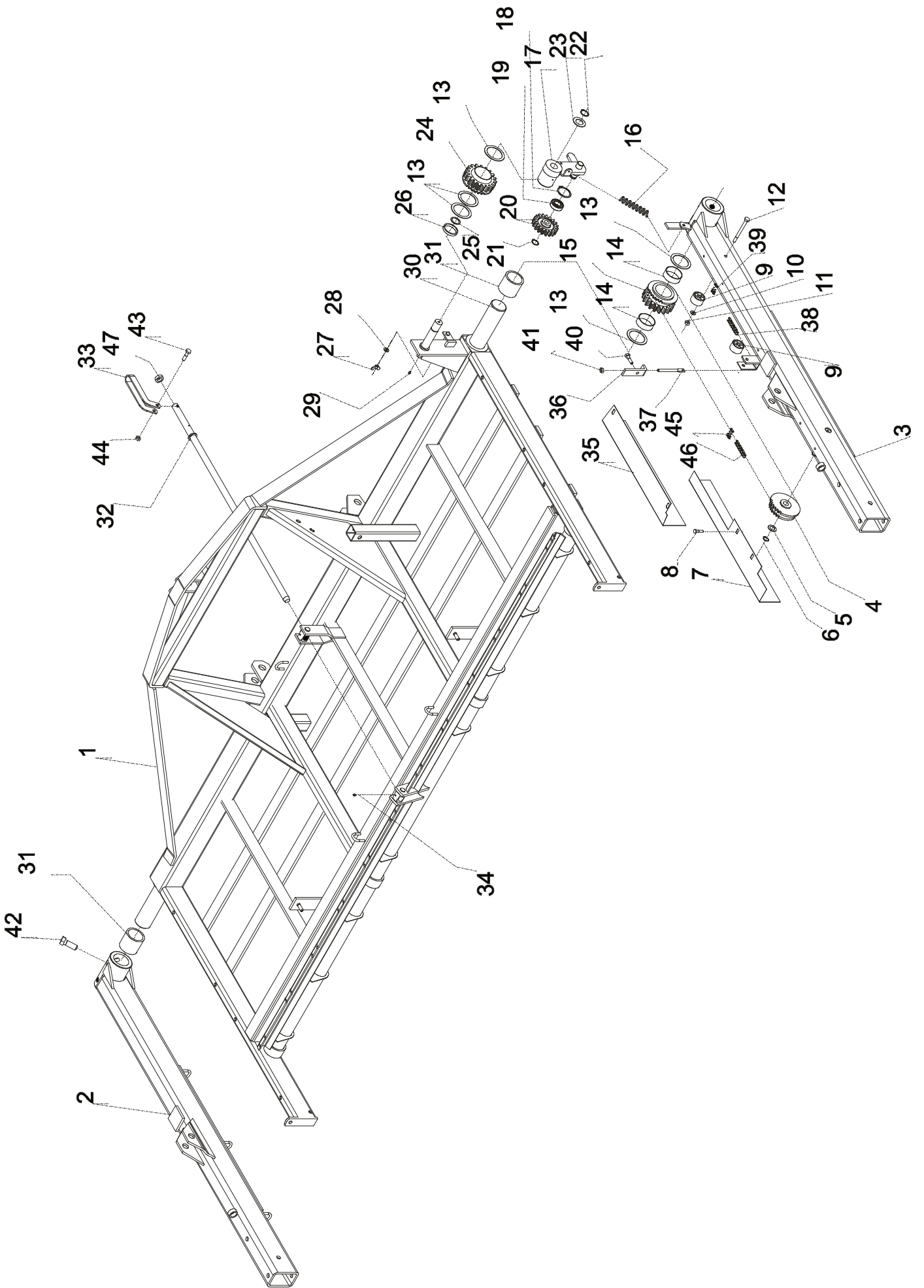
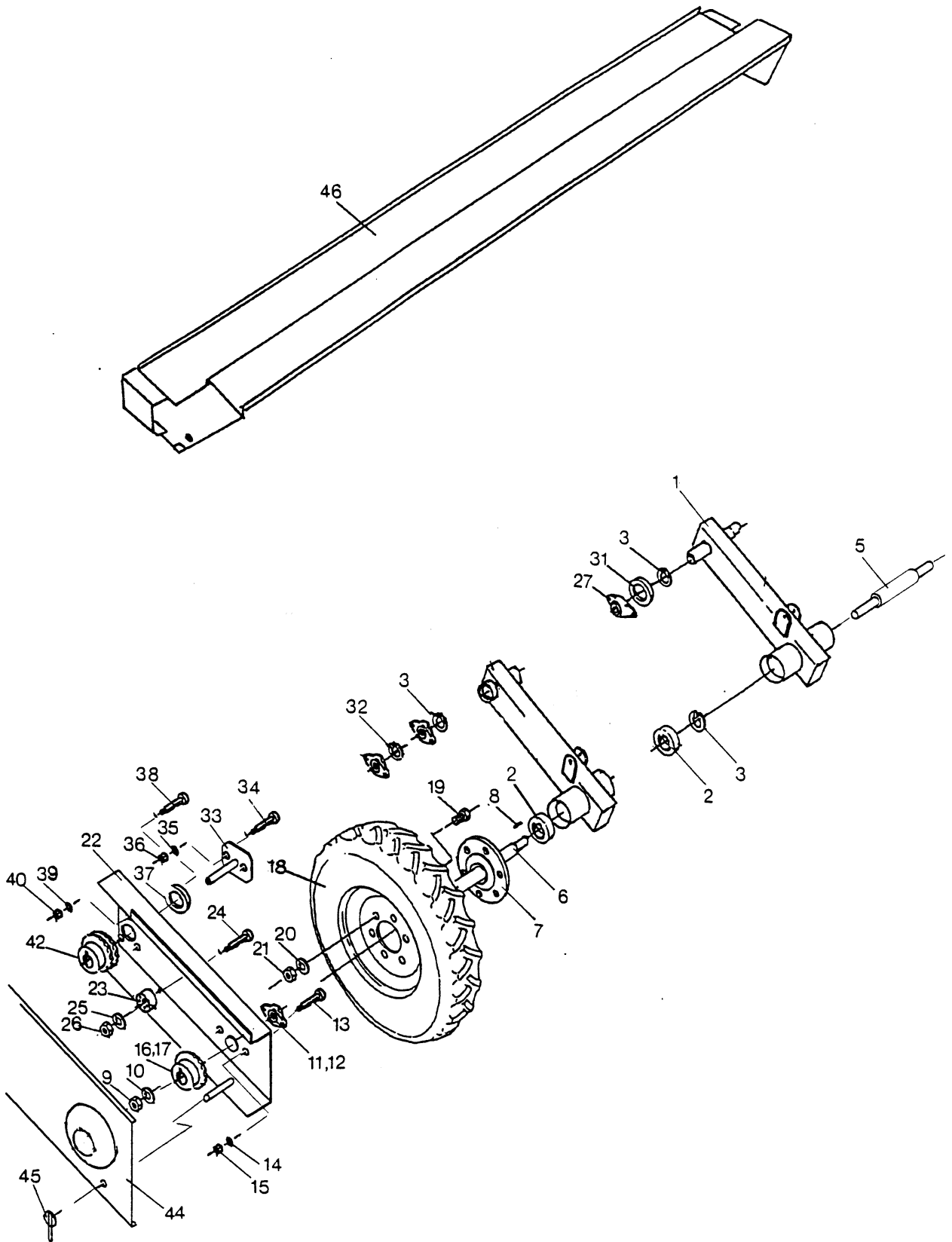


Fig.	Pack	Serial no.	Part no.	Pieces	Notes
1			141100	1	
2			141102	1	
3			141101	1	
4			410976	1	
5			10933	1	20.5*35*0.75 Washer
6			10719	1	A20*1.75 DIN 471
7			42963	1	
8			32528	4	M8*12 Hex head
9			31261	1	
10			10607	1	M10 Washer
11			10760	1	M10 Nut
12			13526	1	M10-120 Hex head
13			40199	6	65.5*85*1.5
14			41451	2	
15			420990	1	
16			31452	1	Spring
17			42951	1	
18			52427	1	J52*2 DIN 472
19			55175	1	6205-2RS
20			35190	1	
21			10525	1	A25*1.2 DIN 471
22			57235	1	A30*2 DIN 471
23			25155	2	
24			420218	1	
25			54336	1	
26			41429	1	
27			63712	1	M8*16 DIN 316
28			30966	1	M8 DIN 315
29			30263	1	M6 Lubricating nipple
30			41915	1	
31			41916	2	
32			41282	1	
33			41283	1	
34			30265	2	M6 Lubricating nipple
35			42967	1	
36			60557	1	
37			57445	1	
38				1	3/4**7/16"-60 Roller Chain
39			52336	1	Connecting link 3/4*7/16
40			30957	1	M10*30 Hex head
41			57379	1	M10
42			41923	8	M10*25
43			30946	1	M10*45 Hex head
44			57379	1	M10 Lock nut
45			30718	1	Connecting link 5/8*3/8
46				1	5/8*3/8-135 Roller Chain
47			42867	1	





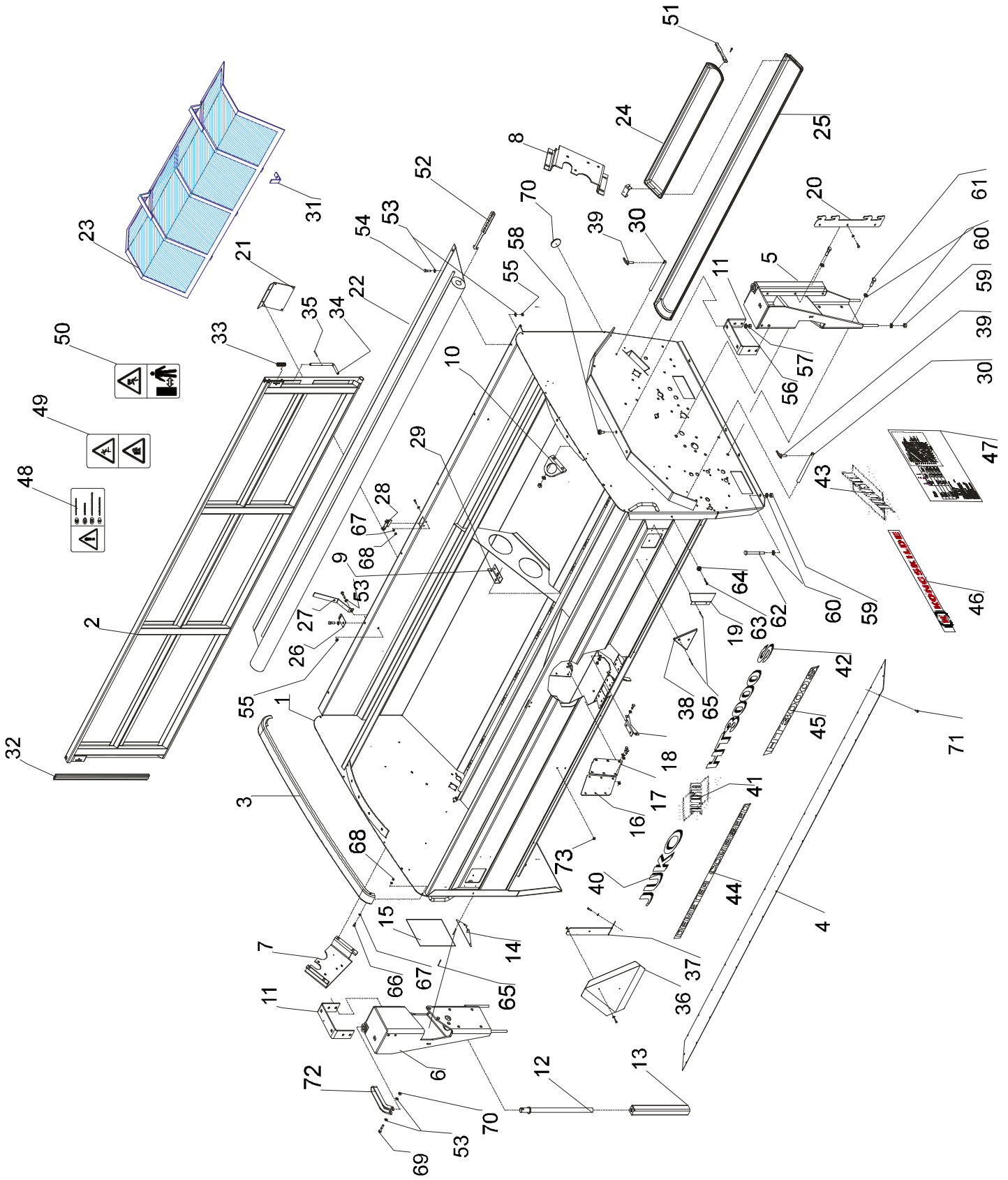
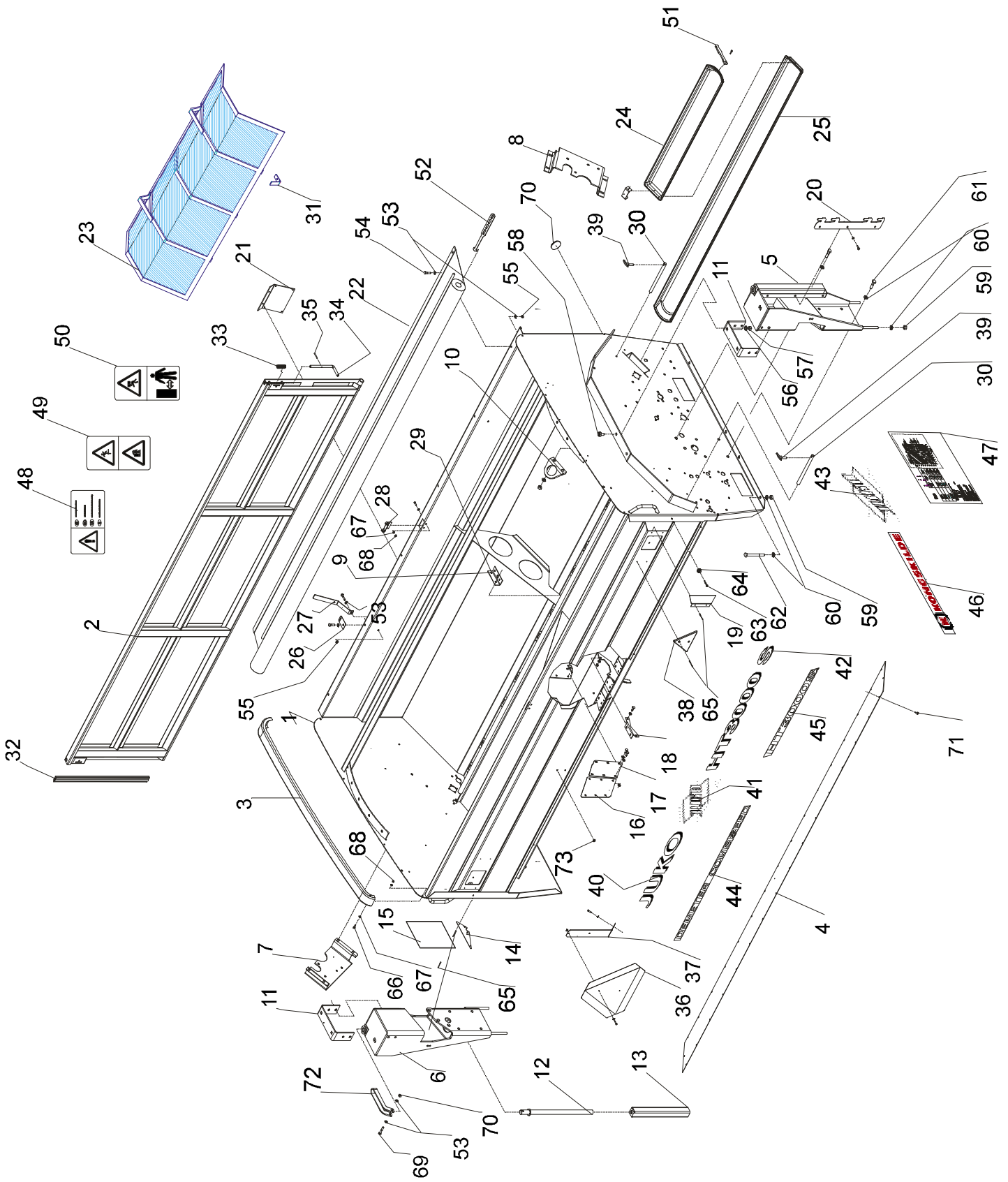


Fig.	Pack	Serial no.	Part no.	Pieces	Notes
1			41247	1	
2			41248	1	
3			41251	3	
4			41249	1	
5			41280	1	
6			41281	1	
7			37242	1	
8			41258	1	
9			41419	1	
10			41446	2	
11			41427	2	
12			40879	2	
13			41814	2	
14			41425	1	
15			32261	1	
16			41252	1	
17			41442	1	
18			41445	1	
19			41414	2	
20			41276	2	
21			37669	1	
22			41274	1	
23			41652	2	
24			41267	1	
25			41268	1	
26			41291	2	
27			41292	2	
28			41284	2	
29					
30			41297	4	
31			41441	4	
32			41421	2	
33			57570	2	
34			41279	2	
35			31531	2	D5*35
36			41245	1	
37			41656	1	
38			53263	2	
39			90265	4	D8 DIN 11023
40			Z-184	2	
41			X-256	1	
42			Z-186	2	
43			X-257	3	
44			Z-161	2	
45			Z-183	2	
46			Z-157	2	
47			X-479	1	
48			Z-115	1	
49			Z-120	1	
50			Z-128	2	
51			37278	1	
52			88644	2	
53				8	M8 Washer DIN 9021 A2
54				8	M8*20 DIN 933 A2
55				8	M8 nut DIN 934 A2
56			10462	4	M12 Washer
57			56448	4	M12 Lock nut
58			42222	4	M12*30 ISO 7380
59			56448	12	M12 Nut
60			10462	12	M12 Washer
61			30952	4	M12*30 Hex head
62			40106	4	M12*140
63			41219	2	M6*25 DIN 7985
64			89553	2	
65				2	3.2*10 A2/A2





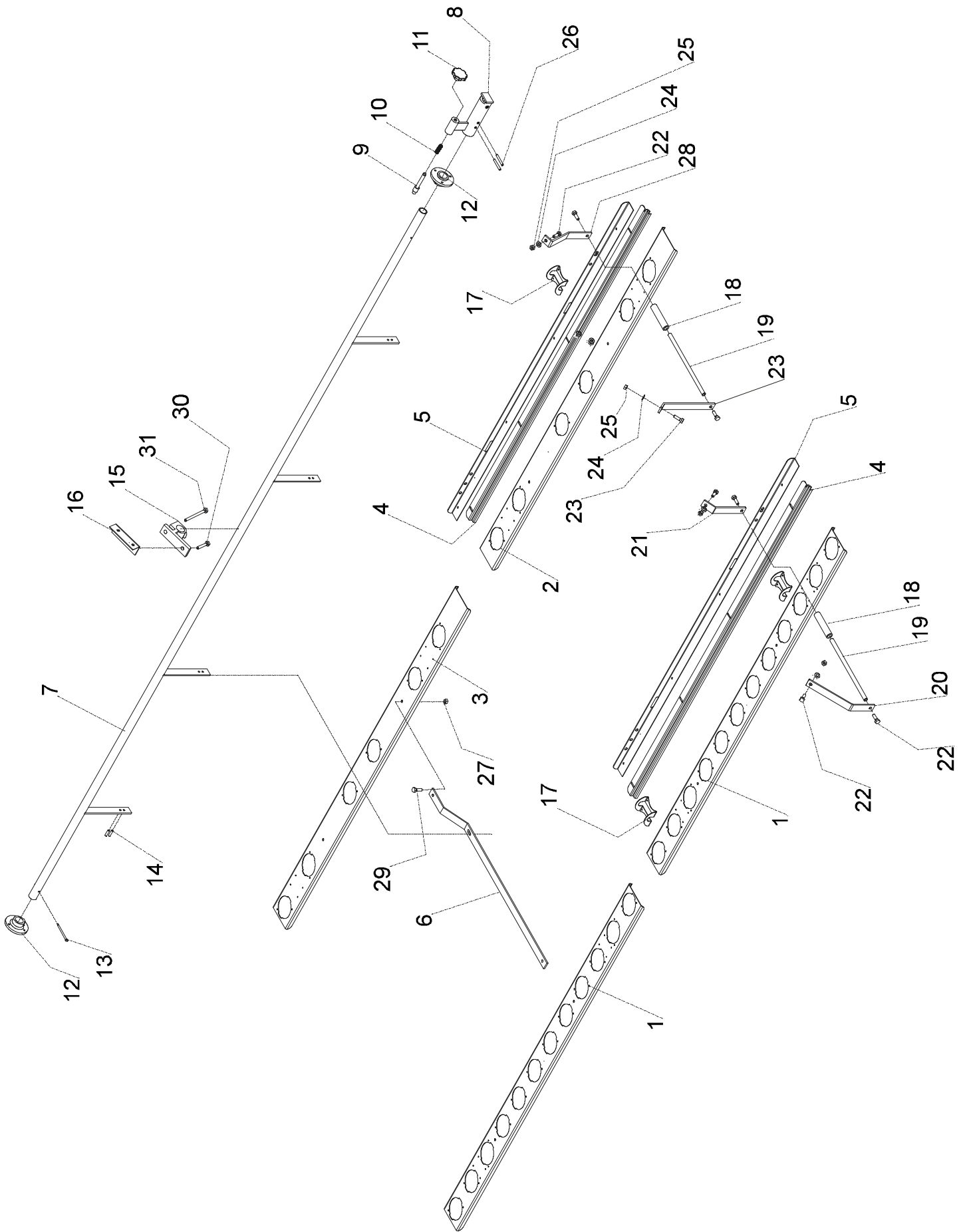
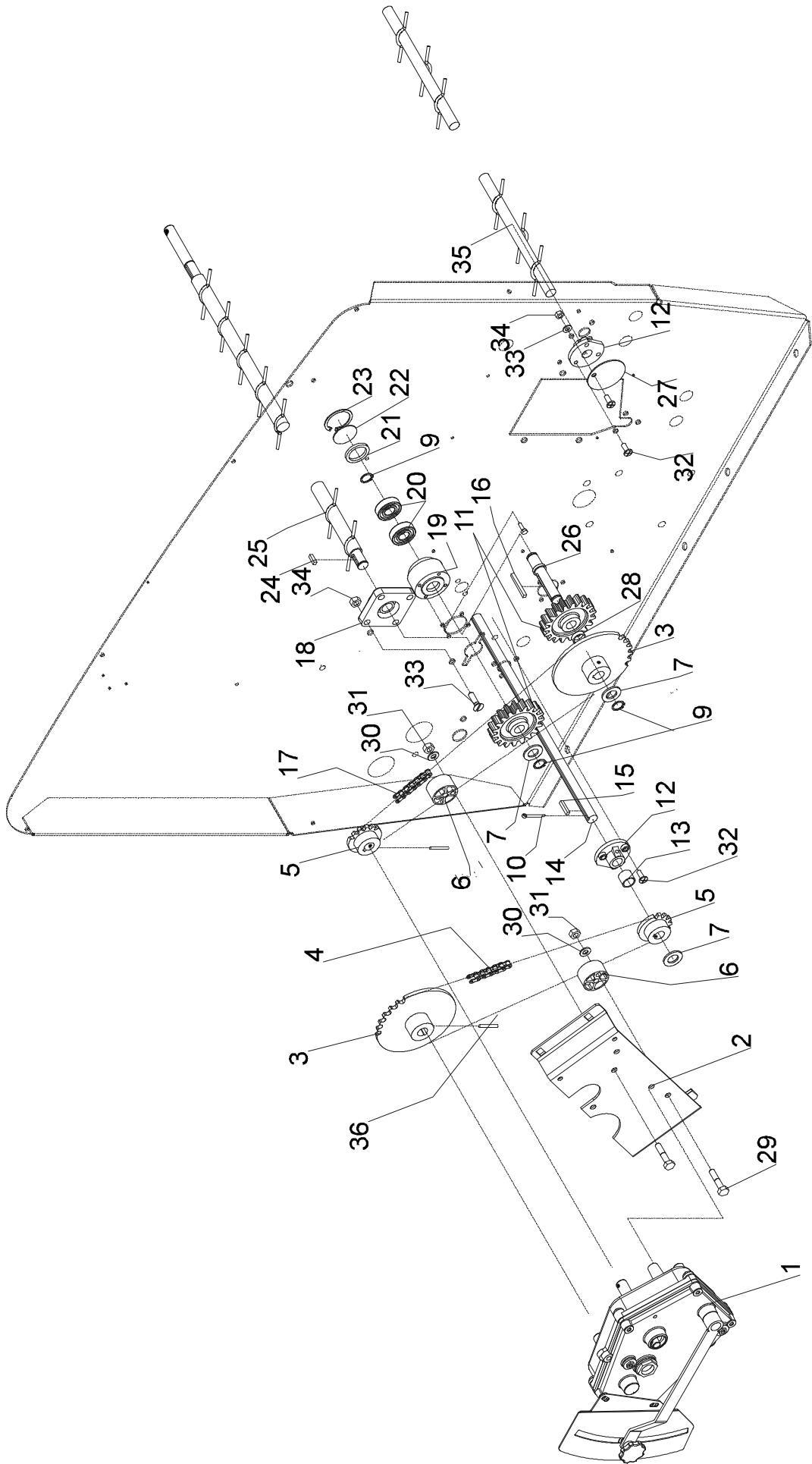


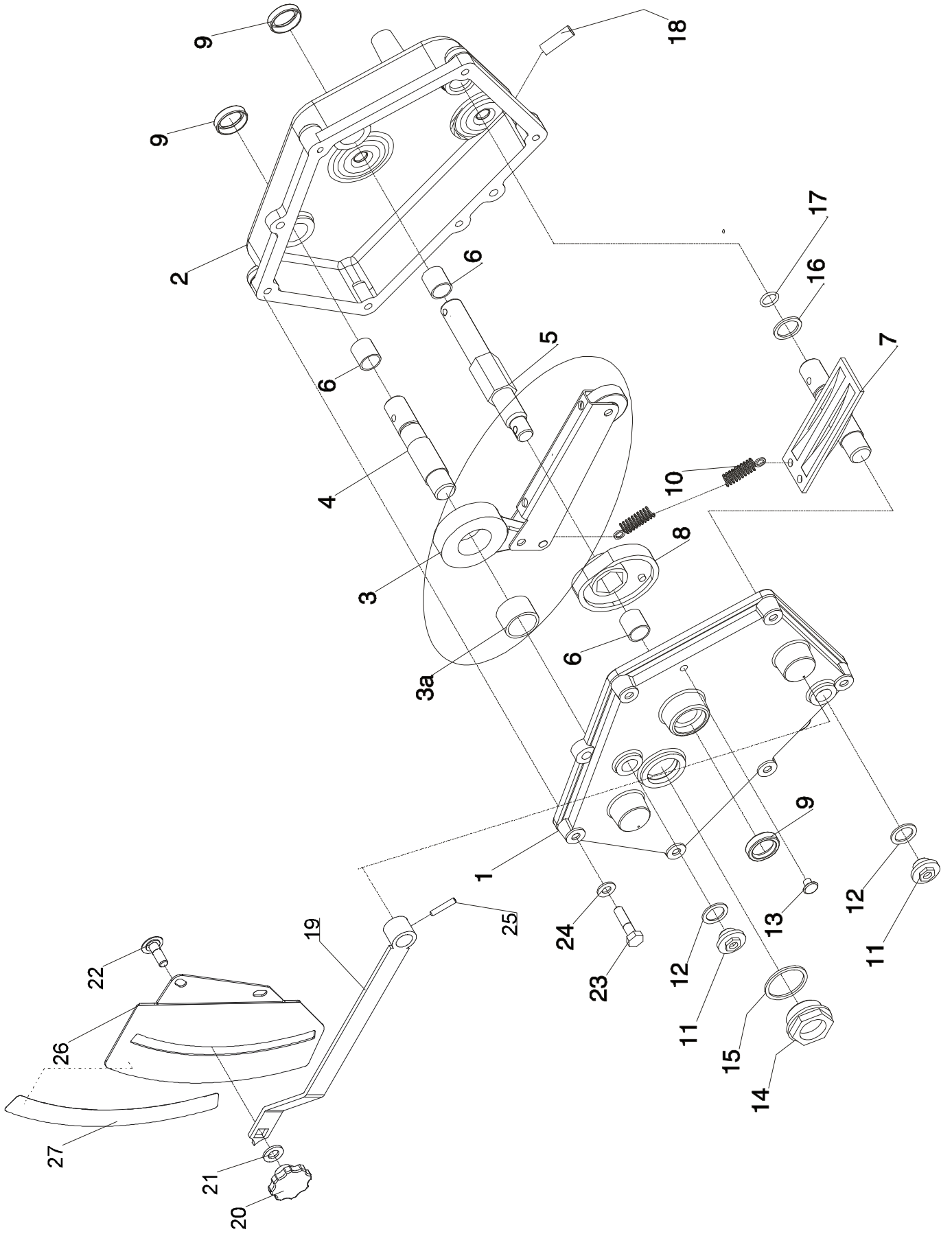




Fig.	Pack	Serial no.	Part no.	Pieces	Notes
1			370738	1	
2			300328	1	
3			370270	1	z=29, t=15,785
4			31261	4	L=28
5			31720	1	
6			41426	1	z=30/15 t=15,785/12,7
7			53281	1	M4*16 DIN 7985
8			31422	1	
9				1	5/8"x3/8"-89L
10			10838	3	A20x1,2 DIN471
11			31891	3	
12			37259	1	
13				1	6x6-30
14			32473	1	
15			63223	2	6204-2 RS
16			32474	1	
17			53424	1	J47x1,75 DIN 472
18			42216	1	FYKC20NTH
19			42215	1	
20			31674	1	
21			30263	3	M6
22			41260	1	
23			31882	1	
24			41231	1	
25			20621	2	
26			660207	1	
26a			57563	1	
26b			63223	1	6204-2RS
26c			53424	1	J47*1.75 DIN 472
26d			57595	1	
27			32436	4	M6*16 Hex head
28				2	M10 Nut DIN 934 A2
29				2	M10 Washer DIN 125 A2
30			37155	2	D26.9*2.65-16
31			31890	1	Z=15/15 t=12.7
32			91696	2	3.5*30 DIN 1481
33			90790	2	6*30 DIN 1481
34			42822	1	5*45 DIN 1481
35			30524	1	M6*8 DIN 914
36			37650	2	Z=15, t=12.7
37			37264	1	Z=14, t=12.7
38			37263	1	Z=11, t=12.7
39			41653	1	
40			31959	1	
41			30941	2	Linch pin D10
42			37649	1	M4 Lock nut DIN 985
43			32705	1	
44			53953	1	M10*70 Hex head
45			57379	1	M10 Lock nut
46			10607	1	M10 Washer DIN 126
47			56448	1	M12 Lock nut
48			10462	1	M12 Washer
49			30946	1	M10*45 Hex head
50				2	M10*30 DIN 963 A2
51				1	1/2**5/16"-34l
52				1	1/2**5/16"-122l
53				1	1/2**5/16"-56l
54			10398	4	M6 Washer DIN 127
55			30948	6	M8*16 DIN 7985









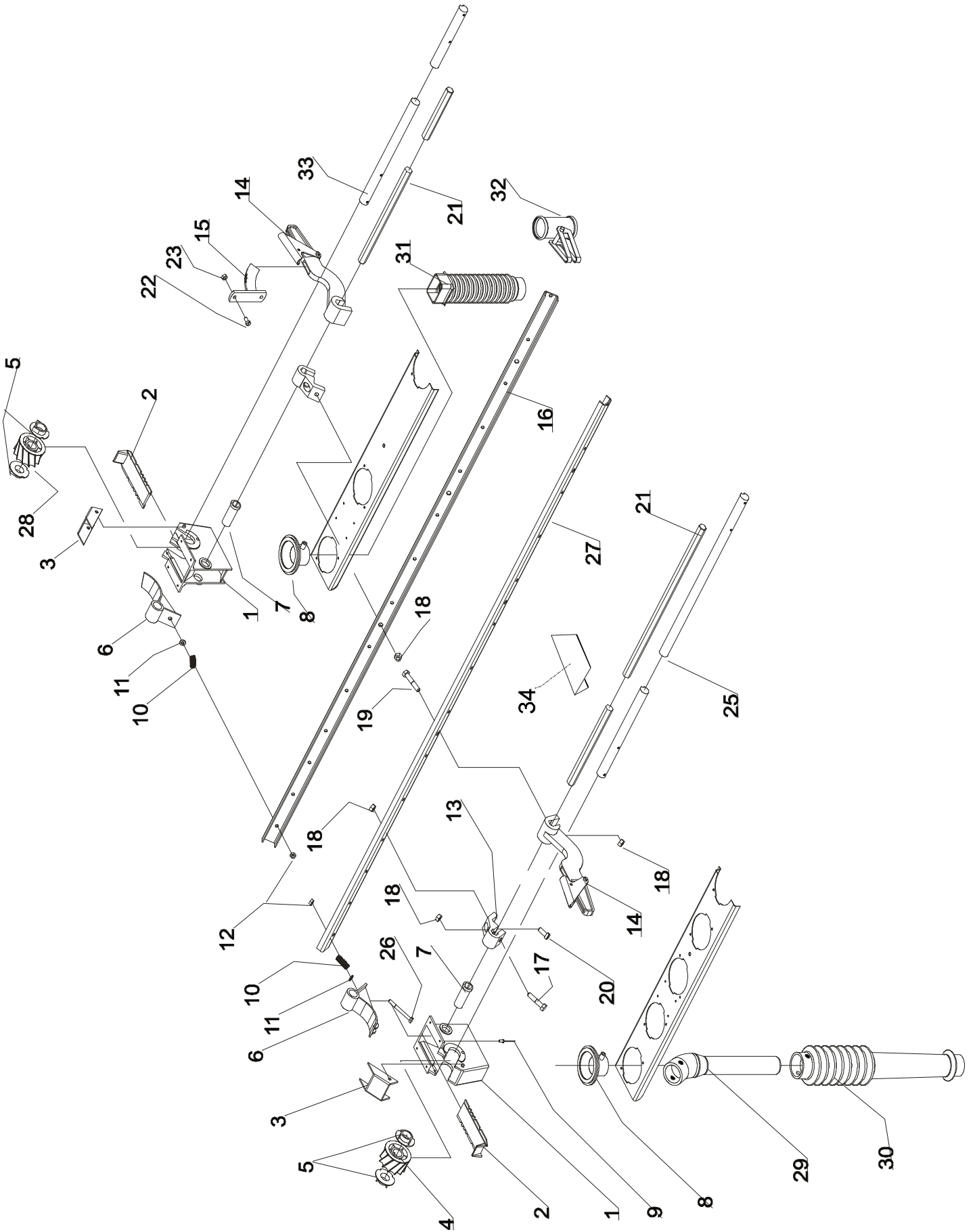
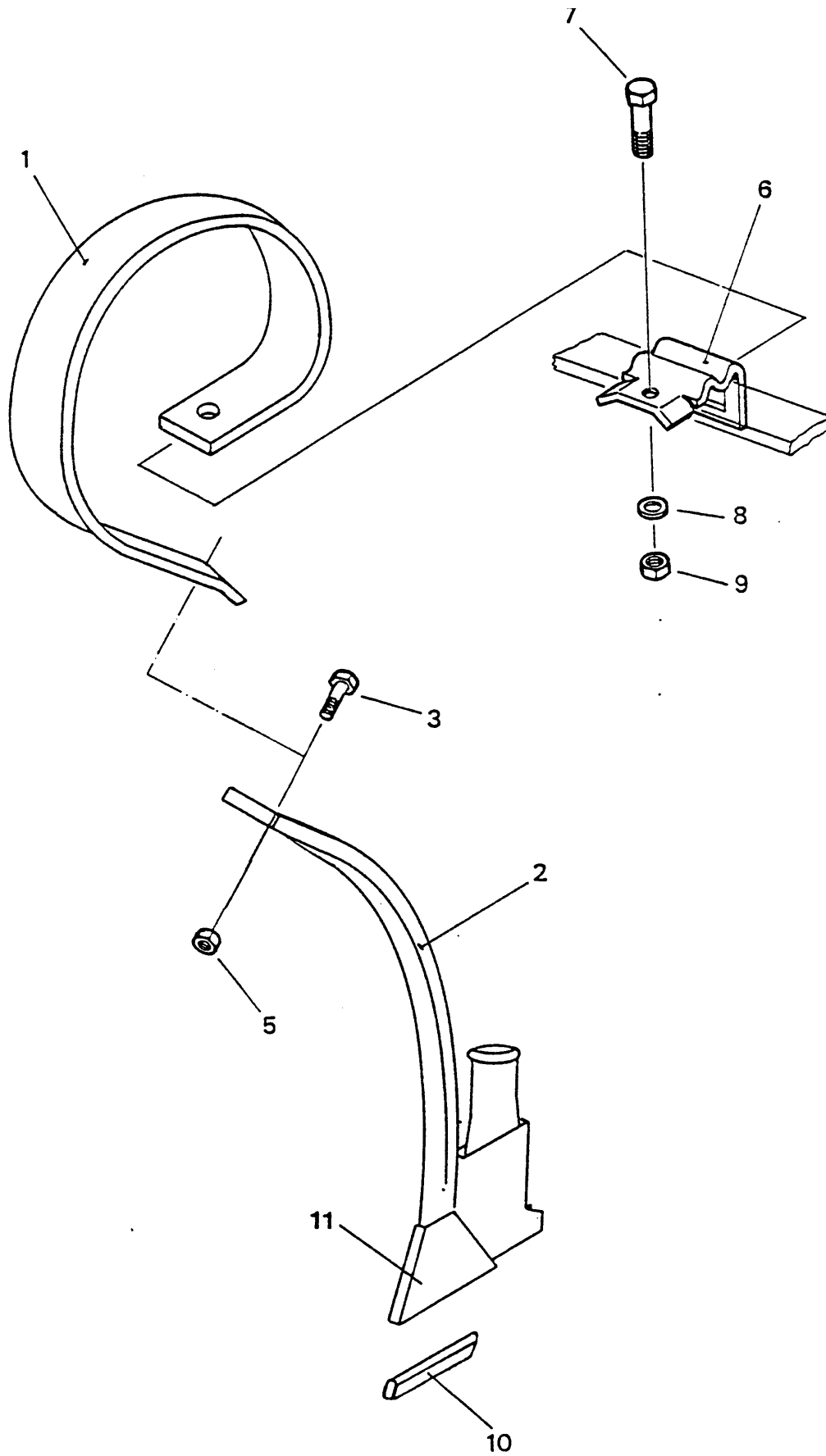
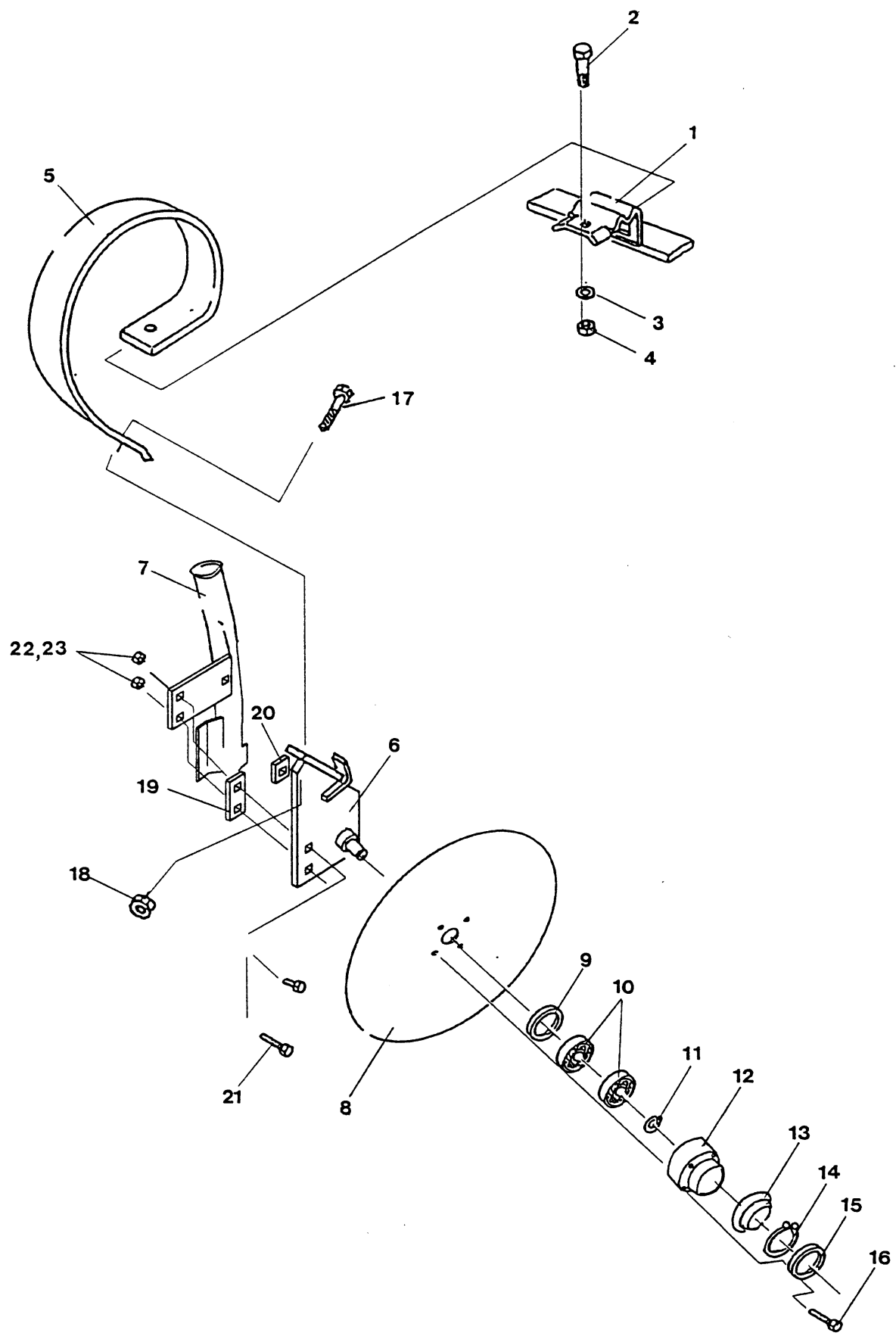


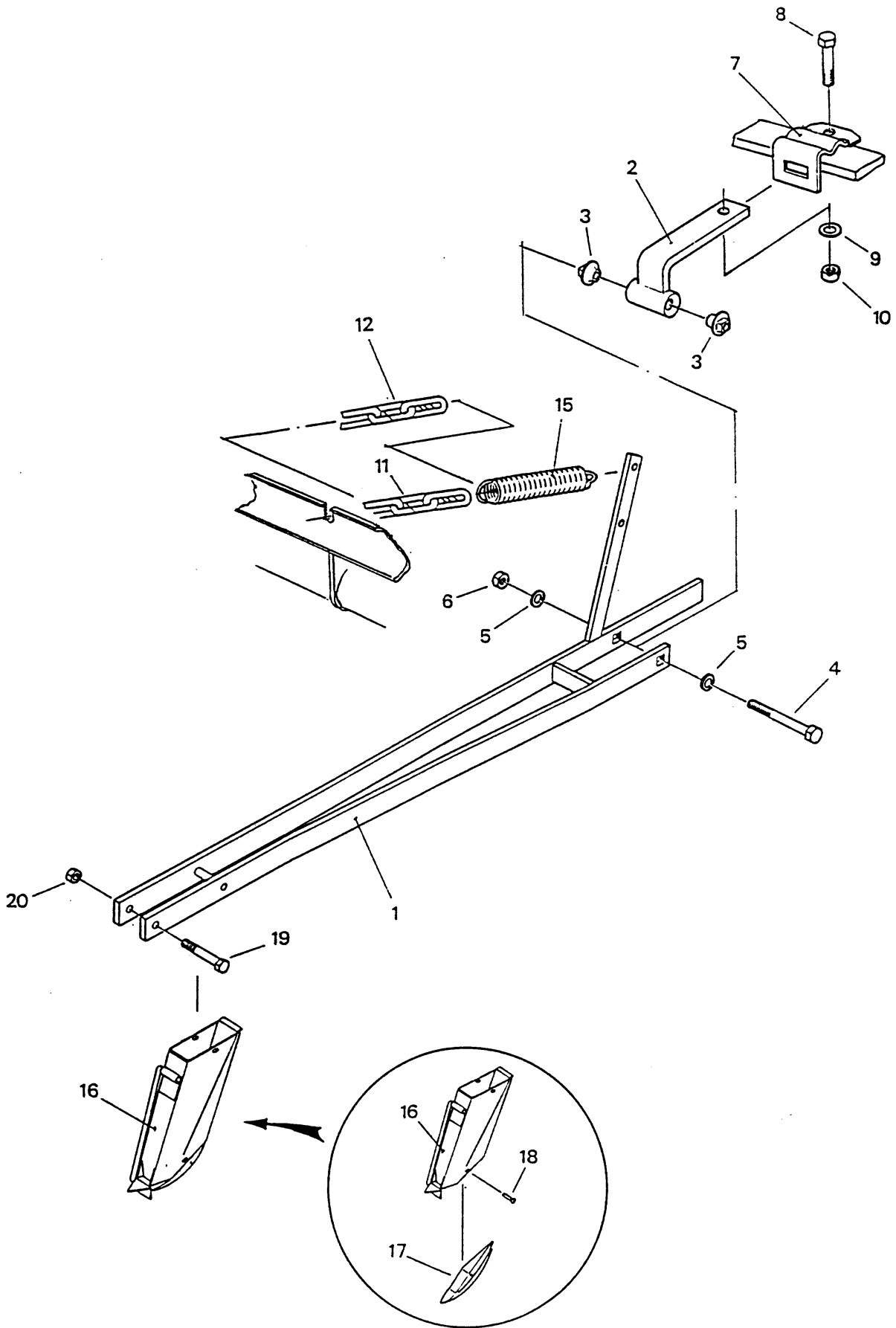
Fig.	Pack	Serial no.	Part no.	Pieces	Notes
1			31282	36	
2			31284	36	
3			31285	36	
4			31245	24	
5			31286	48	
6			31283	36	
7			31668	36	
8			32263	36	
9			31213	144	3.2*10 Rivet
10			31616	36	
11			53503	36	6.6*12.5*1.6 Washer
12			30270	36	M6 Nut plastic
13			31248	13	
14			120205	2	
15			41263	2	
16			41613	1	
17			66134	13	M8*40 Hex head
18			30969	12	M8 Nut
19			31693	13	M8*45 Hex head
20			30970	13	M8*20 Cross head
21			41232	2	
22			30255	4	M6*12 Cross head
23			30262	4	M6 Nut
25			41231	1	
26			32447	36	M6*50 Hex head
27			41228	1	
28			37647	12	
29			41241	24	
30			41240	24	
31			32602	12	
32			41428	12	
33			41618	1	
34			31287	23	



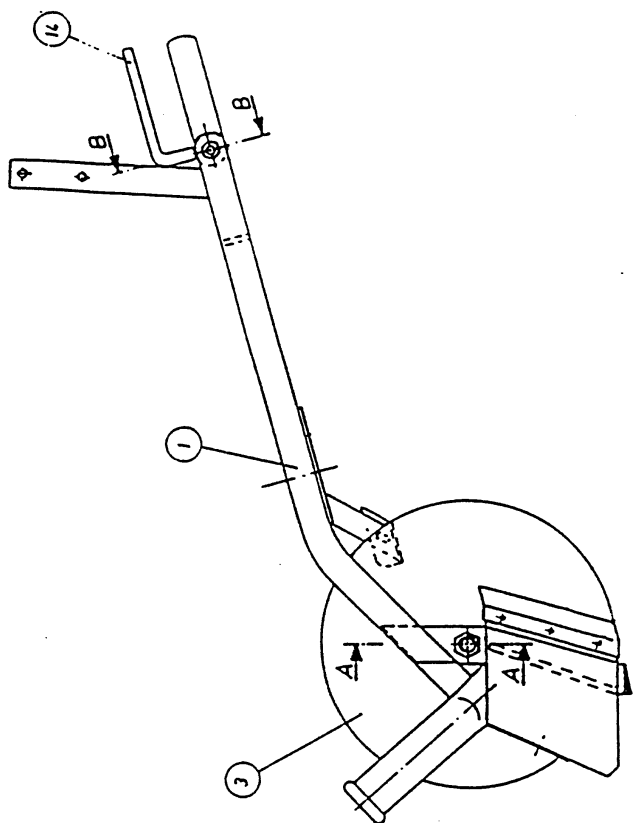




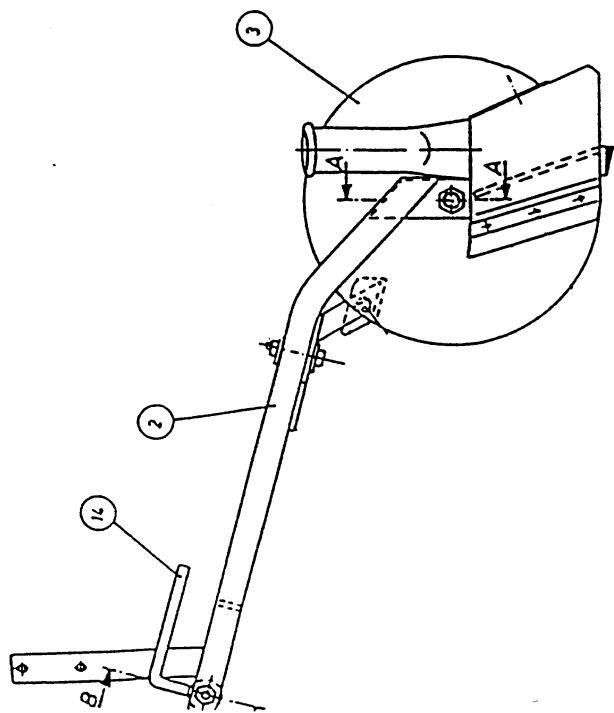
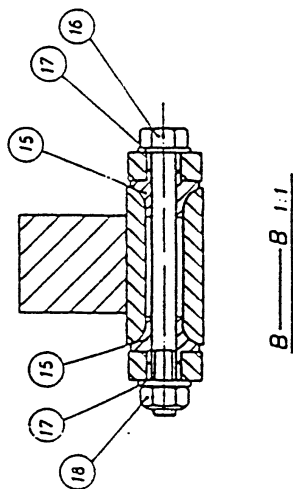




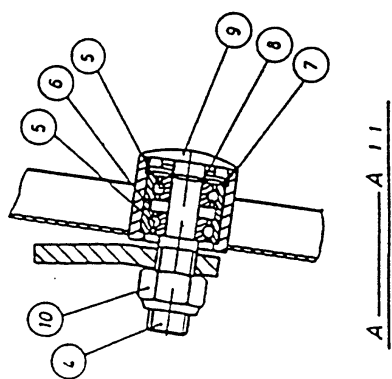




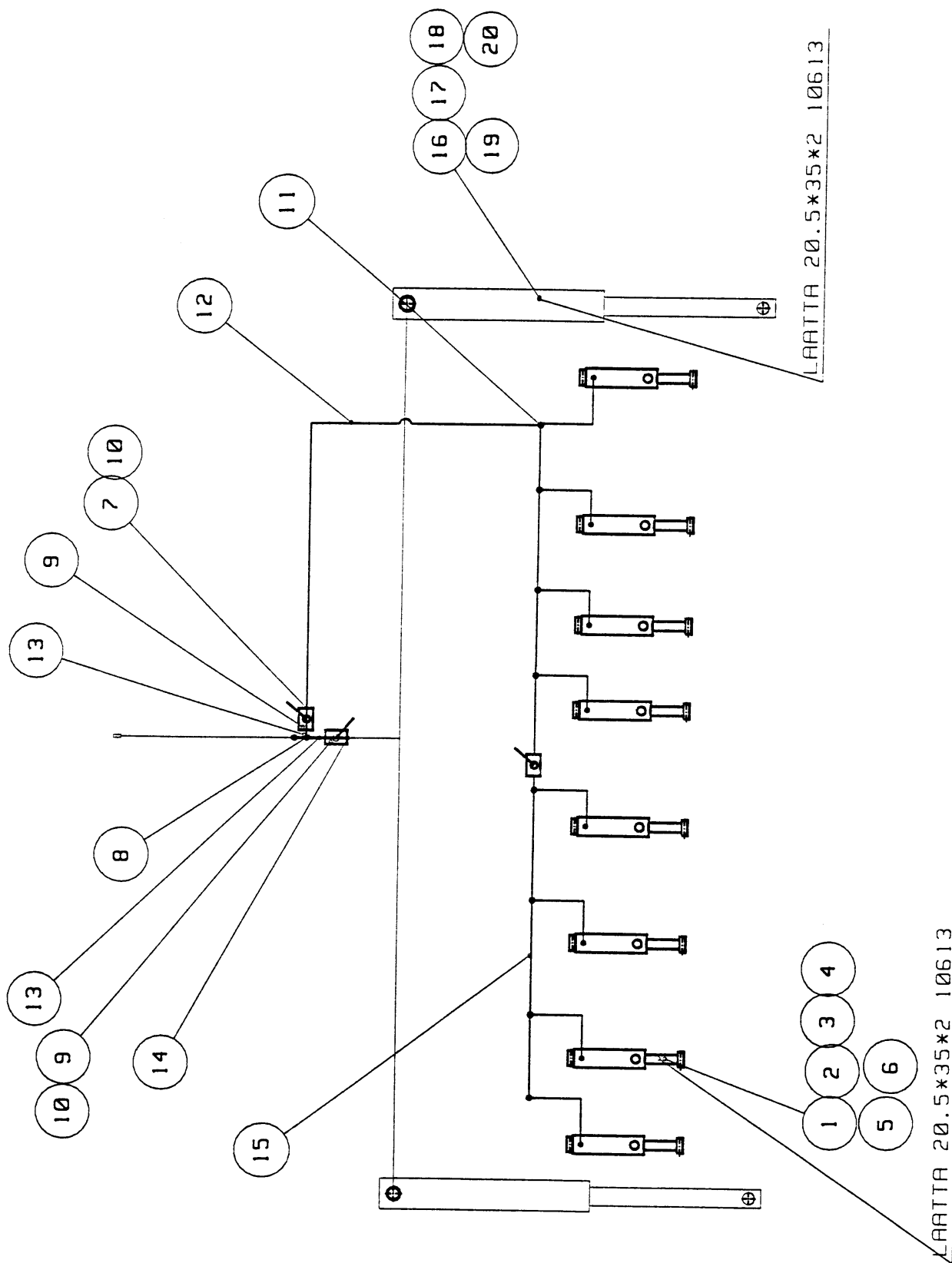
front



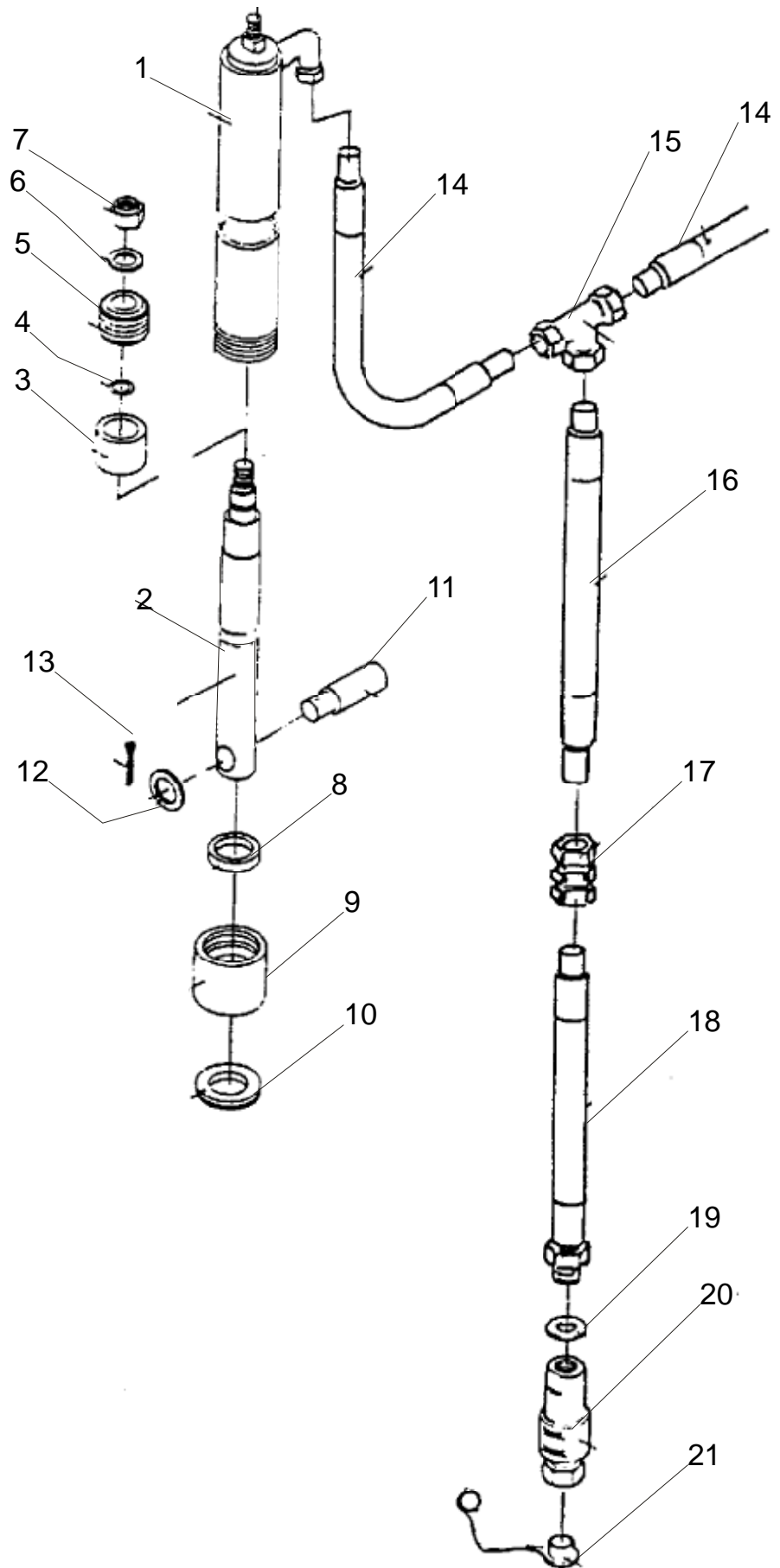
rear



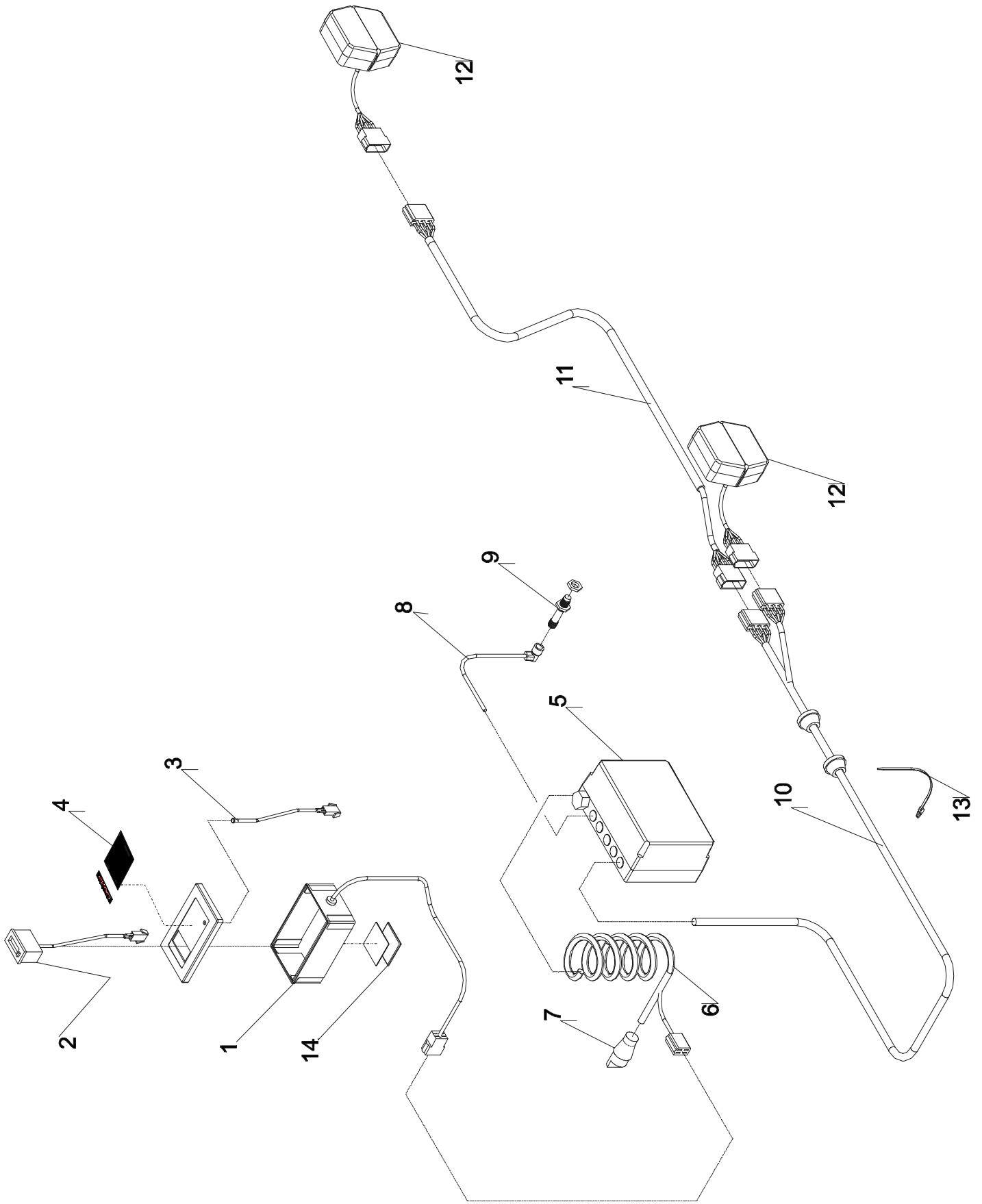




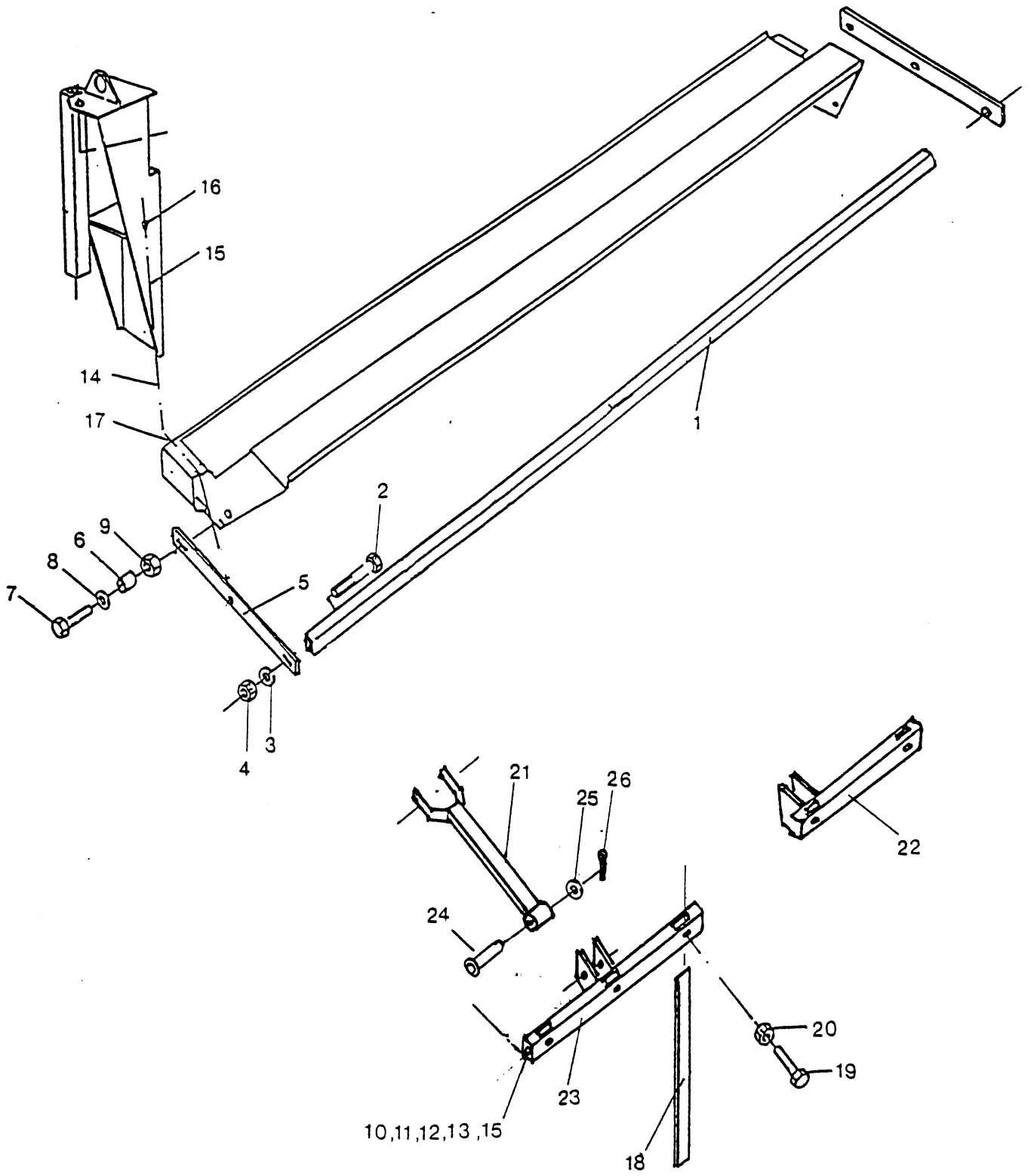




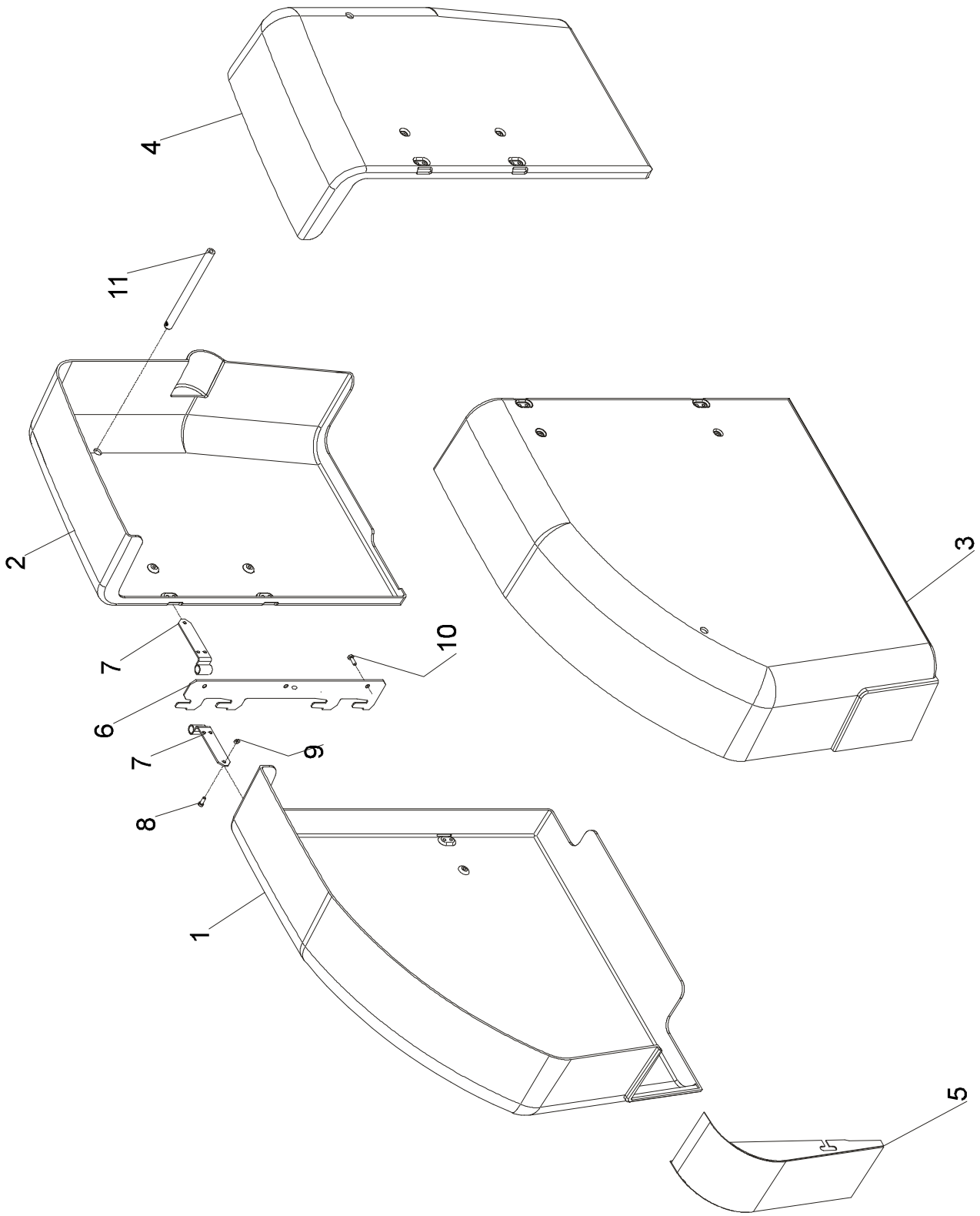




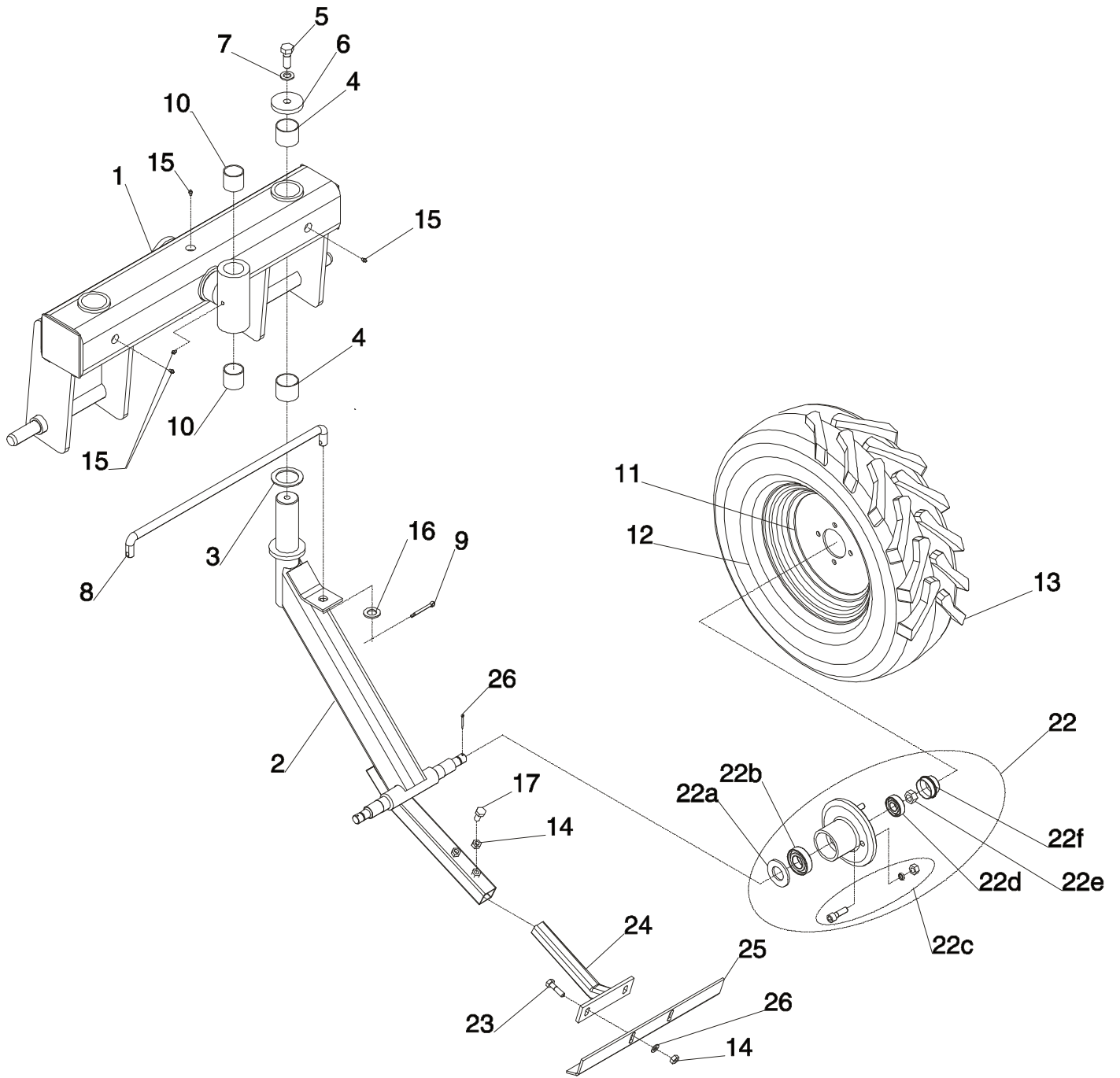














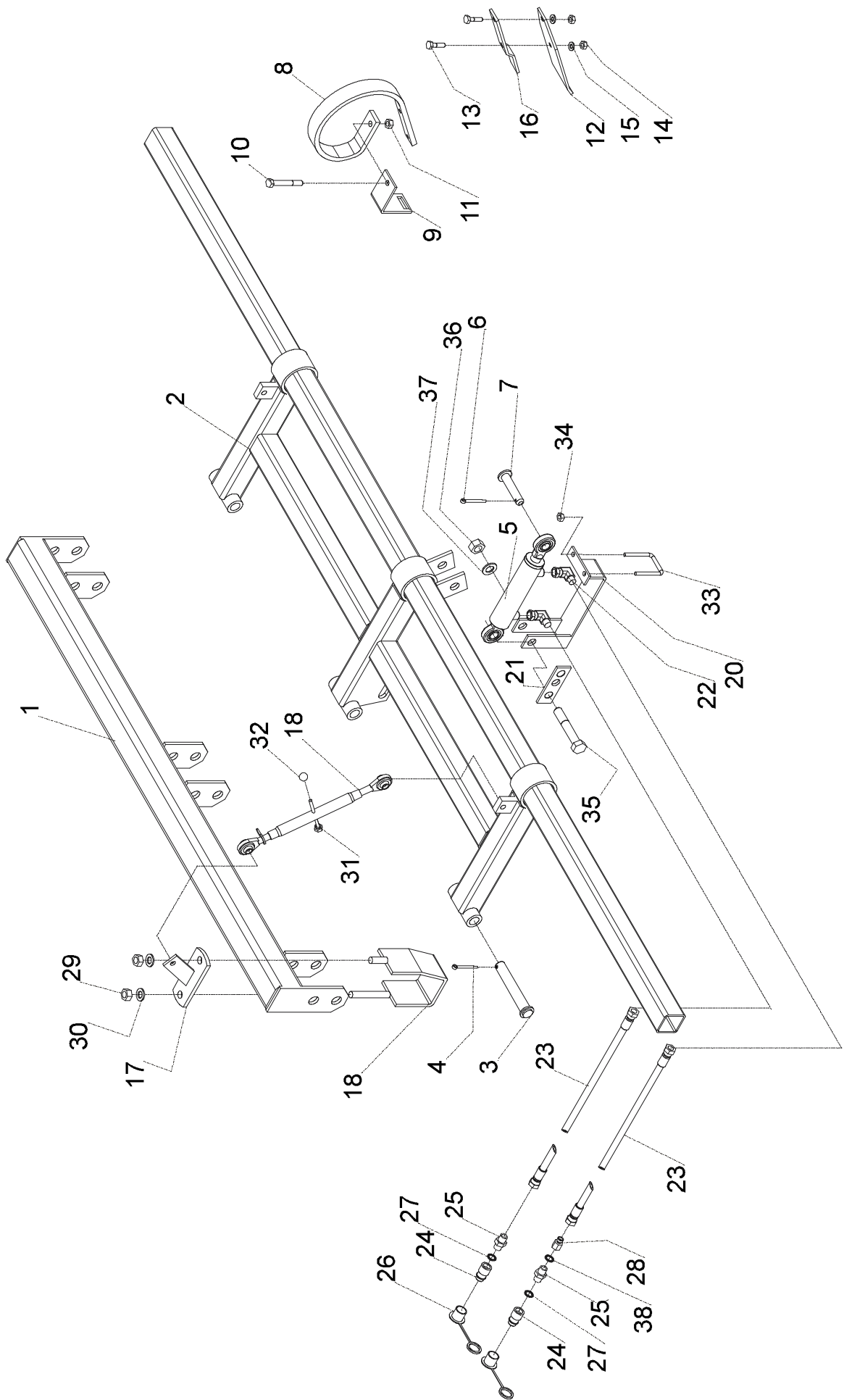


Fig.	Pack	Serial no.	Part no.	Pieces	Notes
1			37506	1	
2			37507	1	
3			40136	3	
4			10839	3	
5			370824	1	
6			10931	1	
7			90258	1	
8			63637	22	
9			37504	22	
10			30961	22	M12*90
11			56448	22	M12 nut
12			37503	22	
13			30947	44	M10*35
14			57379	44	M10 nut
15			10607	44	M10 Washer
16			37515	22	
17			35574	2	
18			89130	2	
19			35573	2	
20			35576	1	
21			35575	1	
22			87818	2	
23			37832	2	
24			30844	2	
25			90812	2	
26			58656	2	
27			52361	2	
28			42546	1	
29			53190	4	M16 nut
30			30887	4	M16 Washer
31			13526	2	M10*120
32			20726	2	
33			10776	1	
34			57379	2	M10 nut
35			57811	1	M20*110
36			53463	1	M20 nut
37			53942	1	M20 Washer
38			87830	1	
39					
40					
41					
42					
43					
44					
45					
46					

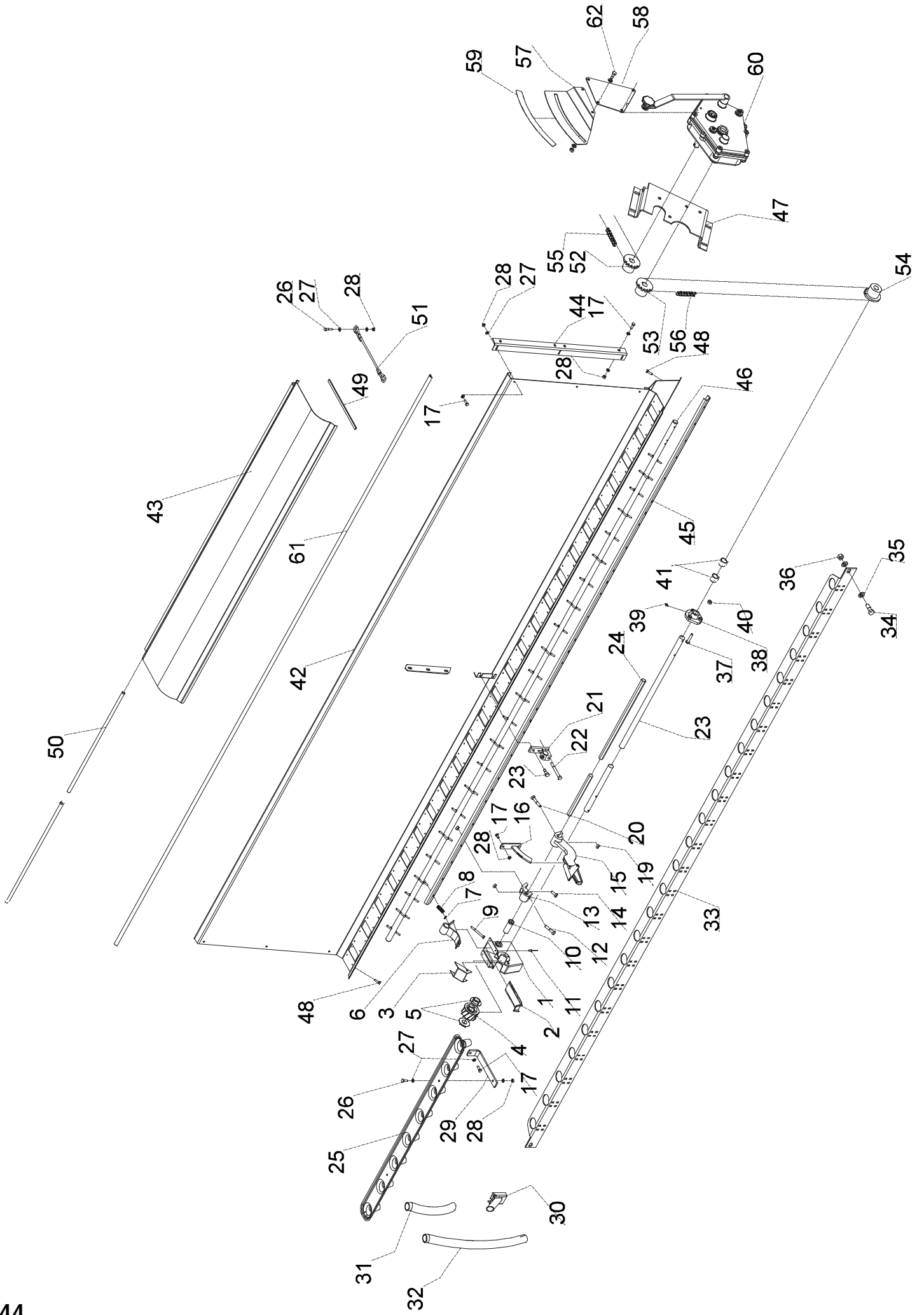
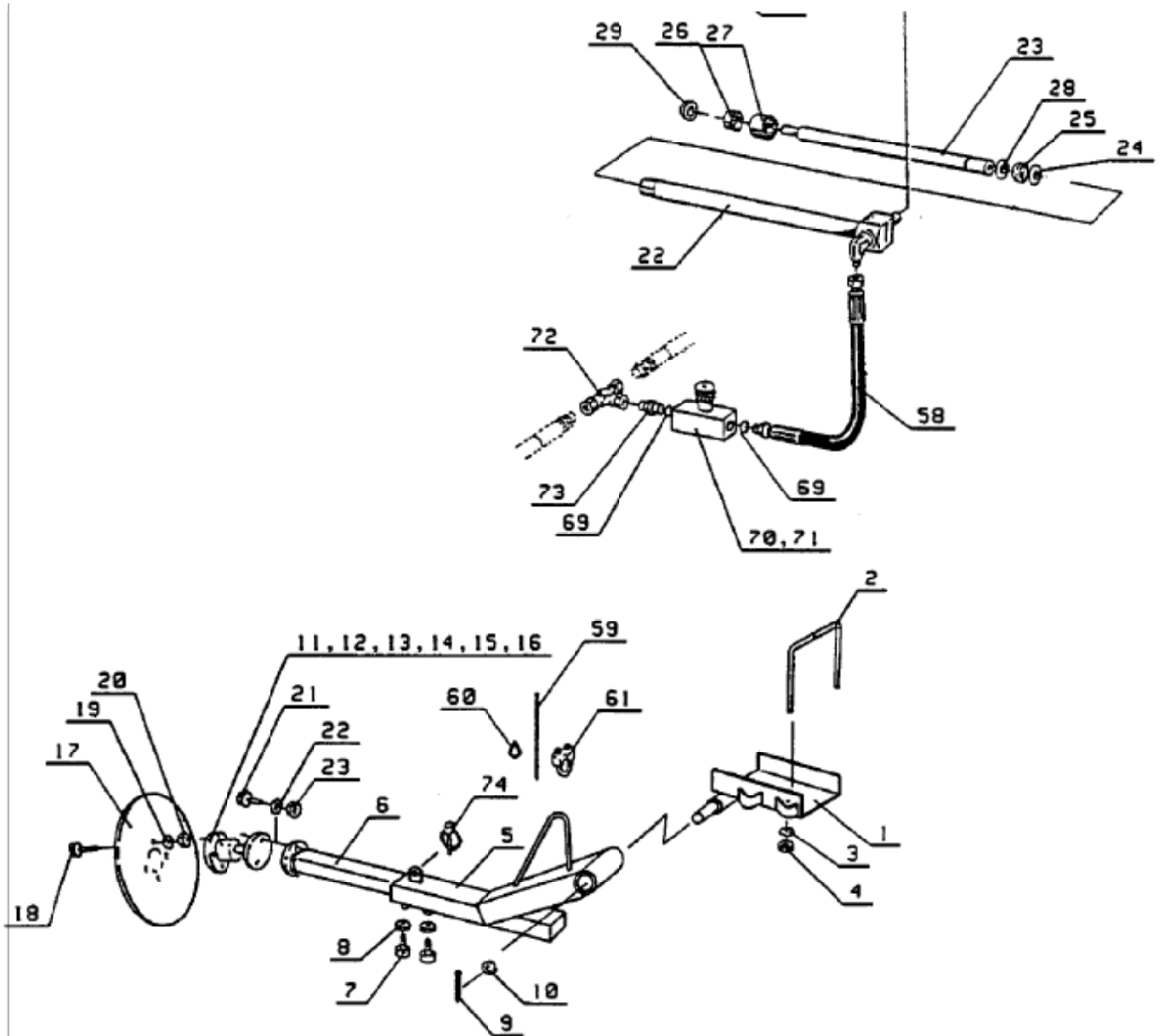


Fig.	Pack	Serial no.	Part no.	Pieces	Notes
1			31282	24	
2			31284	24	
3			31285	24	
4			31285	24	
5			31286	48	
6			31283	24	
7			53503	24	
8			31616	24	
9			37675	24	M6*50 socket head cap skrew
10			31668	24	
11			31213	96	3.2*10 rivet
12			66134	7	M8*40 hex head
13			31248	7	
14			30970	7	M8*20 cross head
15			120205	1	
16			41264	1	
17				14	M6*12 hex head DIN 933 A2
18					
19			30969	10	M8 nut
20			31693	7	M8*45 hex head
21			31882	1	
22			21163	1	M8*60 hex head
23			41231	1	
24			41232	1	
25			41266	3	
26				8	M6*16 hex head DIN 933 A2
27				20	M6 washer DIN 125 A2
28				20	M6 nut DIN 934 A2
29			41273	6	
30			42895	24	
31			41295	24	L-200
32			41443	24	L-450
33			41448	1	
34			30949	2	M12*25 hex head
35			10462	4	M12 washer
36			56448	2	M12 nut
37				6	M8*16 hex head DIN 933 A2
38			20621	2	
39			30263	3	M6
40					
41			31891	2	
42			41250	1	
43			41422	2	
44			41253	2	
45			41432	1	
46			41424	1	
47			37242	1	
48			41315	32	M6*12
49			R939	1	3m
50			41423	1	
51			95190	4	
52			63927	1	Z=17 t=12.7
53			37264	1	Z=14 t=12.7
54			37650	1	Z=15 t=12.7
55				1	1/2x5/16-128 I
56				1	1/2x5/16-31 I
57			41259	1	
58			41262	1	
59			63354	1	
60			370738	1	





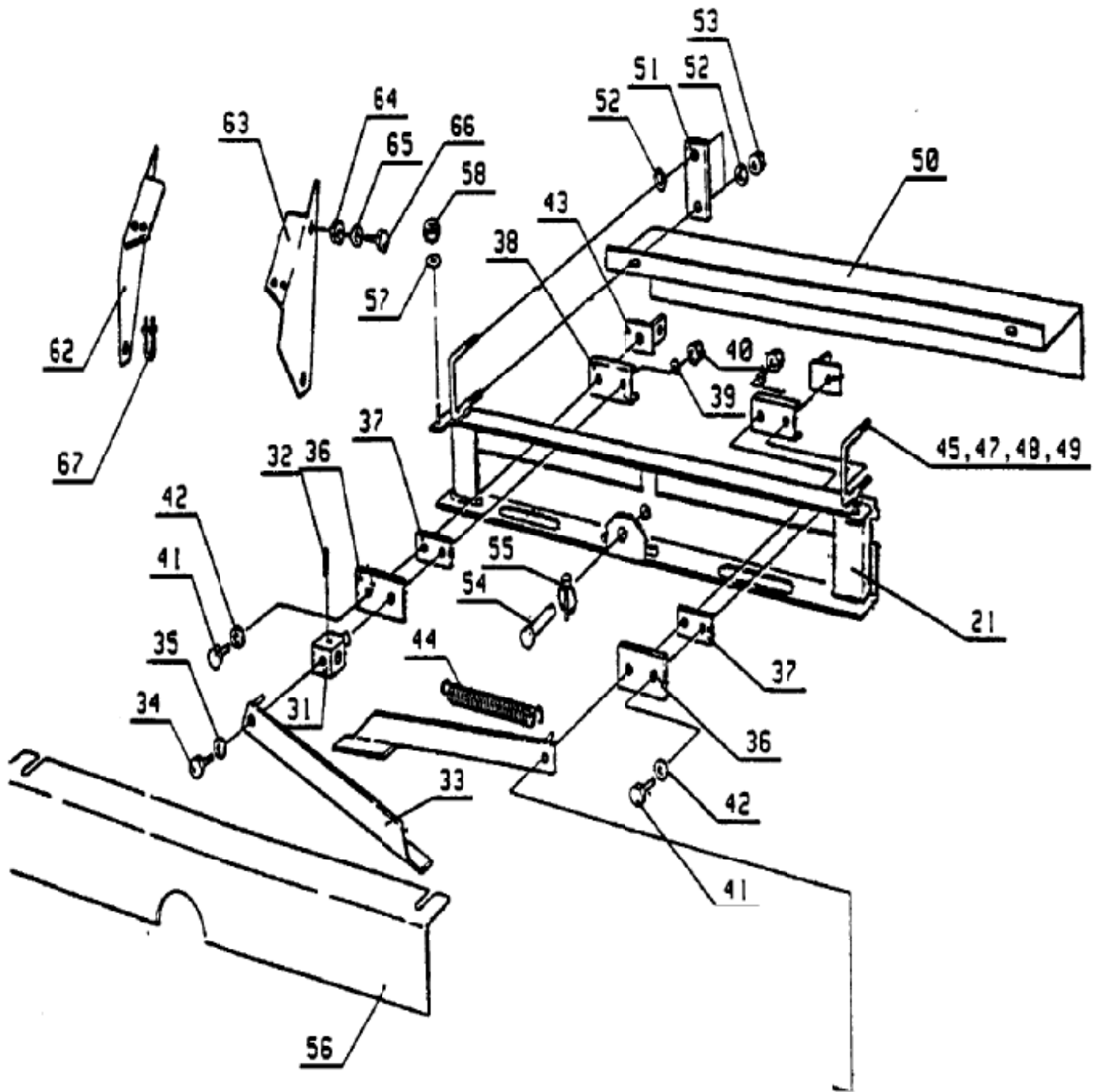
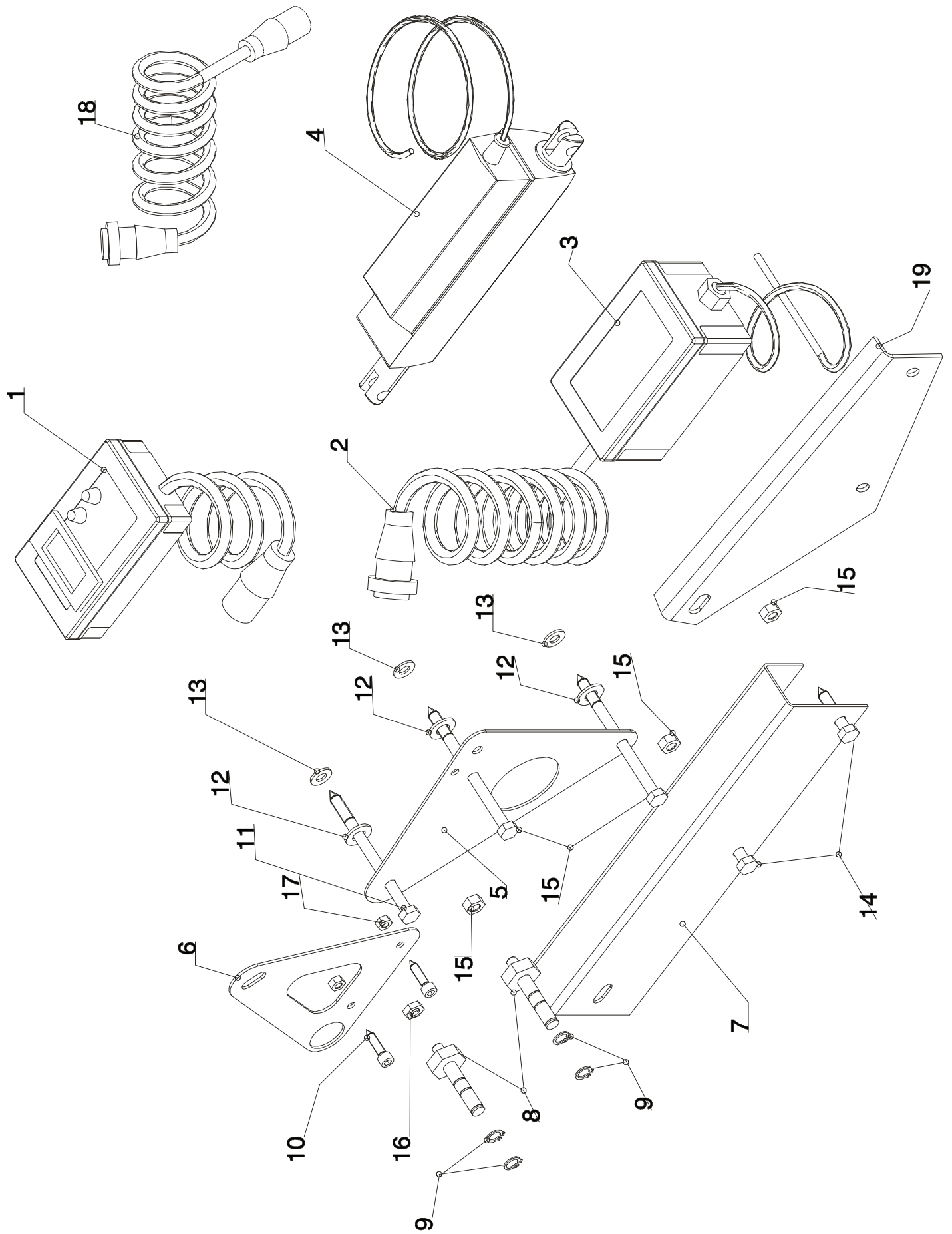
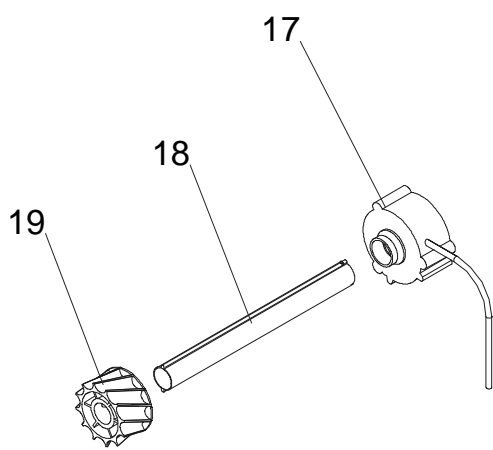
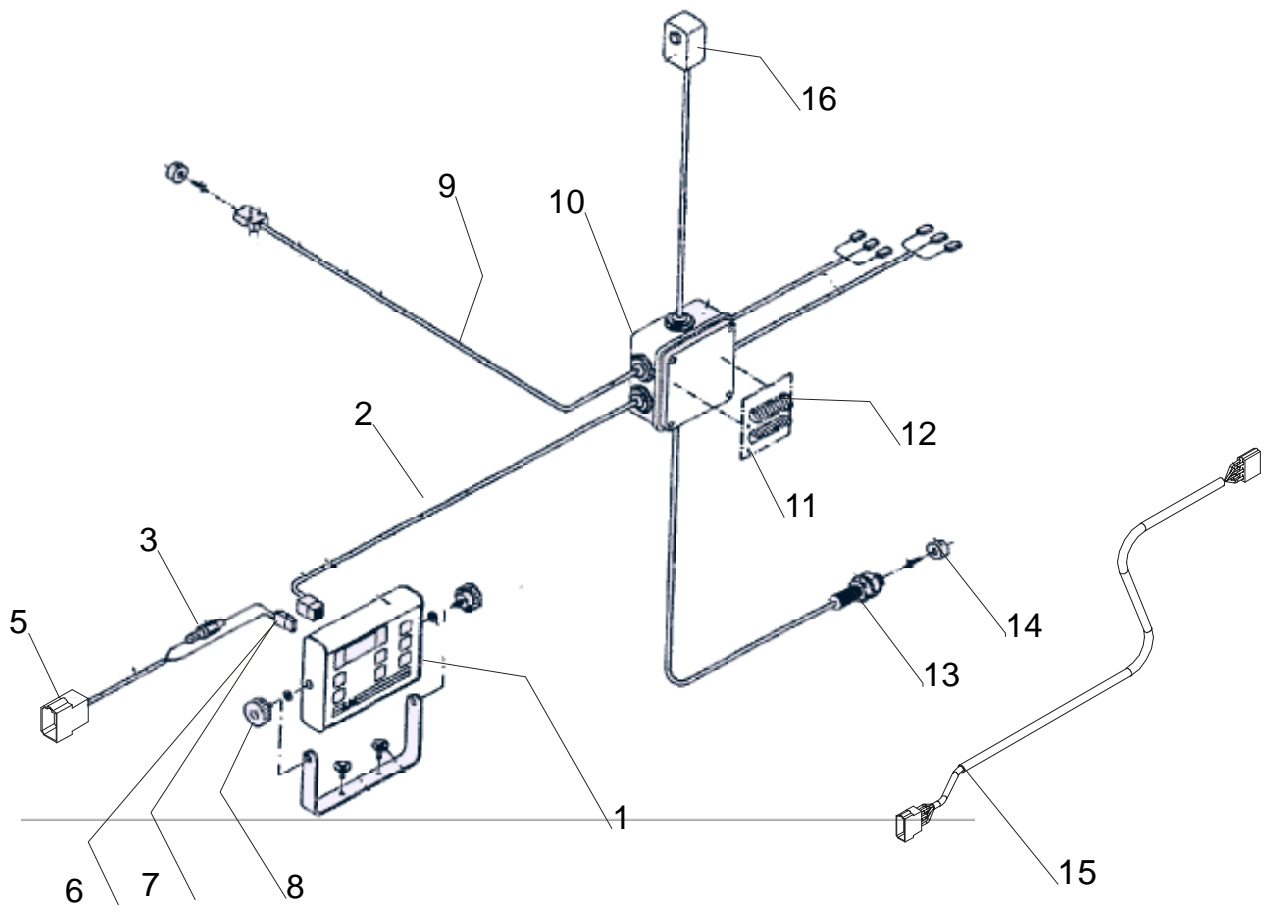


Fig.	Pack	Serial no.	Part no.	Pieces 3000	Notes
21			A420854 <b>420856</b>	1 1	Assembly
22			42856	1	
23			42857	1	
24			42858	1	PA10*20.7*7.3
25			42859	1	
26			42860	1	
27			42861	1	
28			42862	1	
29			42863	1	
31			42555	1	D5*32
32			12238	1	
33			42864	2	
34			30949	1	
35			10462	1	M12
36			42558	2	
37			42559	2	
38			42556	2	
39			30887	2	
40			30124	2	M16 M12*30 M12
41			30952	2	
42			10462	2	
43			42557	2	
44			42569	1	
45			42854	1	M8*20 M8 M8
46			42855	1	
47			53363	6	
48			10784	6	
49			57550	6	
50			42590	1	M12 M12
51			42575	2	
52			10462	4	
53			56448	4	
54			42812	1	
55			90265	2	D 8 M8 M8 l=2900
56			42590	1	
57			10784	2	
58			30969	2	
59			37924	2	
60			27530	4	Ø8 Ø 6,5 M10*20
61			30196	1	
62			42800	1	
63			42801	1	
64			40702	4	
65			10153	4	M10 Ø 3/8" L=500
66			10760	4	
67			54657	2	
68			87811	1	
69			87830	2	
70			42865	1	9F-400S R 3/8 R1/4*R3/8 D8
71			42866	1	
72			41833	1	
73			61816	1	
74			90265	1	











Oy Kongskilde Juko Ltd  
Opintie 4  
23100 Mynämäki Finland  
Tel. +358 2 439 3200  
Fax +358 2 439 3210  
e-mail: [mail@ksf.kongskilde.com](mailto:mail@ksf.kongskilde.com)

51700203

01.10.2001