

ARBUS 2000

English version

EDITION - 06/2007

CODE - 979131

Parts catalog



MÁQUINAS AGRÍCOLAS JACTO S.A.

Rua Dr. Luiz Miranda, 1650

17580-000 - Pompéia - SP - Brasil

Tel.: +55 14 3405-2100 - Fax: +55 14 3452 1306

E-mail: export@jacto.com.br

Home page: <http://www.jacto.com.br>

ARBUS 2000

EQUIPMENT	PAGE
ARBUS 2000 (FAN 850 / JP-150 / USA).....	4

ARBUS 2000 (FAN 850 / JP-150 / USA)

(CODE: 360263)

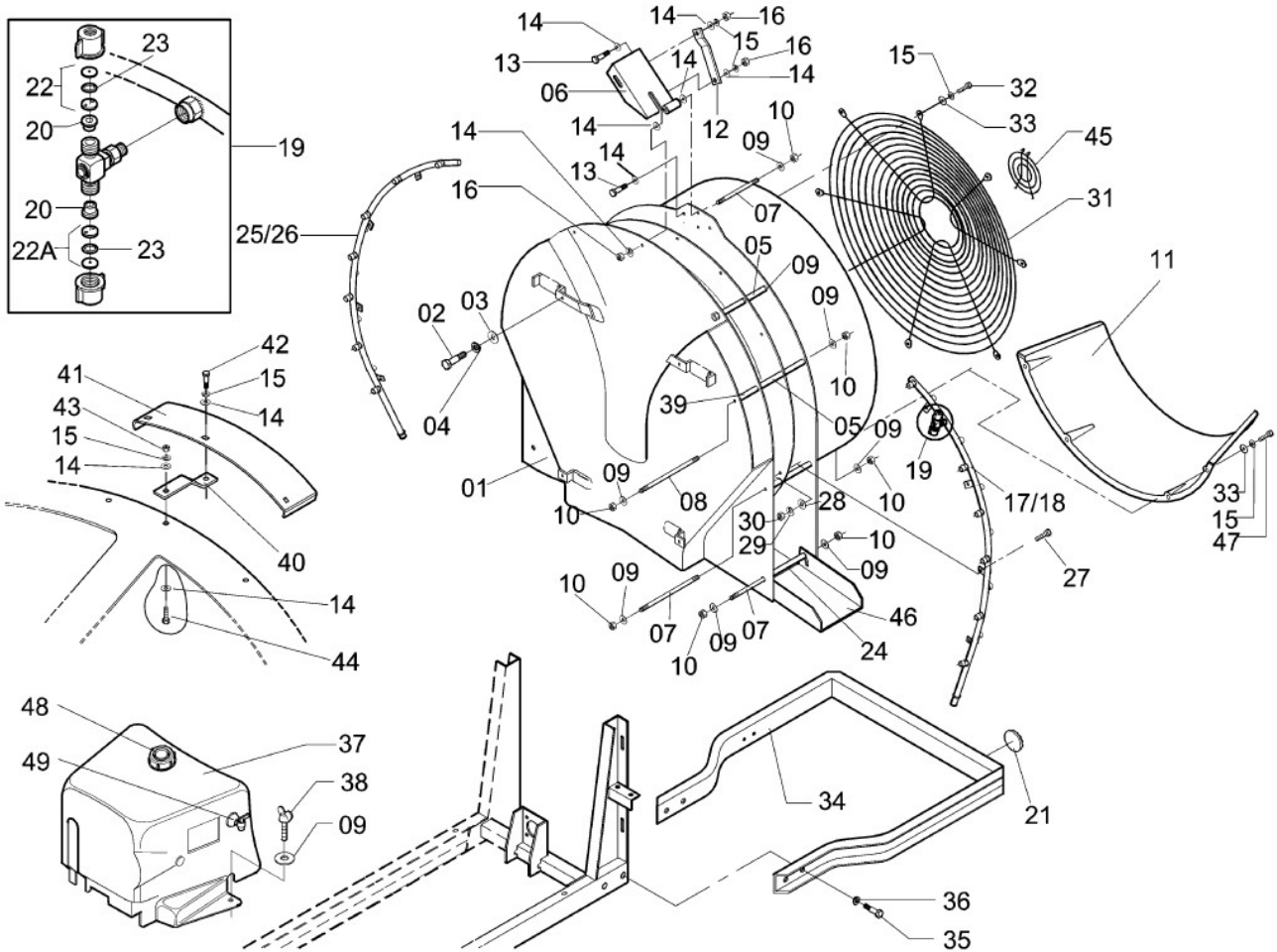
ENTIRE ASSEMBLIES	PAGE
"ARBUS 2000" LOGOTYPE	71
2000-LITER TANK ASSEMBLY	31
3-WAY VALVE - MODEL B	55
ACCESSORIES BOX	23 23
ADJUSTABLE AXLE N° 13	64
ADJUSTABLE AXLE N° 13	33
APPLICATION ASSEMBLY	6
ASSEMBLY FOR 90-LITER HOOD SUPPORT	66
BEARING BLOCK	49
CABLE DIRECTIONAL VALVE (0-40 KGF/CM ²)	14
CHEMICAL CIRCUIT	45 8
CHEMICAL CONTAINER RINSE NOZZLE KIT	56
CHEMICAL CONTAINER RINSE NOZZLE ROD	76
CHEMICALS MIXER NONRETURN VALVE	32
COMPLEMENTS FOR EXPORT TRAILER	61
COMPLEMENTS FOR PUMP - JP-150	68
CONE NOZZLE J4-2	38 38
CV PTO SHAFT ASSEMBLY	22
DEFLECTOR 3P AND COMPLEMENTS	67
DIRECTIONAL VALVE WITH CABLE CONTROL	12
DOUBLE NOZZLE HOLDER LL ASSEMBLY	20
DRIVE TRANSMISSION AND COMPLEMENTS	58
DRIVE TRANSMISSION AND COMPLEMENTS	27
DRIVEN TRANSMISSION	10
DRIVEN TRANSMISSION	60
DRIVEN TRANSMISSION AND COMPLEMENTS	60
FAN ASSEMBLY	28 28
FLEXIBLE 3/4" BSP X 600	65
FLEXIBLE CABLE WITH COUPLING END	35 57 35
FLEXIBLE COUPLING 9	47 24
FRONT HOOD ASSEMBLY	18
JACK NO. 10	25 25
MECHANICAL AGITATOR	26 48
MECHANICAL AGITATOR 2005 - 02	48
NOZZLE HOLDER	43
PRESSURE HOSE 1" BSP X 450	70
PTO SHAFT 710 (Z=6 X Ø 35)	46
PULLEY Ø 200 - 6 - 3V	40 40
PULLEY Ø 332-12-3V	41 41
PULLEY ½ 80-12-3V (MACHINED PART)	73
REAR BUMPER	52 29
REAR COLUMN AND COMPLEMENTS (EXPORT/GOLDEN)	59

**ARBUS 2000 (FAN 850 / JP-150 / USA)
(CODE: 360263)**

Continuation

ENTIRE ASSEMBLIES	PAGE
RINSE NOZZLE	75
SPACER 15	42 42
SPACER 55	72
SPRAY CONTROL ACTUATOR	34 34
SPRAY PUMP JP-150	63 37
STICKERS LAYOUT FOR ARBUS 2000	16
SUCTION FILTER FVS-200	36
SUCTION FILTER WITH VALVE 200 L/MIN	50
SUMP SHIELD	69
TANK 2000 L	54
TIGHTENING PULLEY ASSEMBLY 78 (SHAFT Ø 15 X 50,5)	53
TIGHTENING PULLEY ASSEMBLY 78 X 1A (PE-78 I)	30
TRAILER ASSEMBLY	44 21
TRAILER HITCH	62
TRAPEZE BELT HY-T3V-0600	39 39
TUBING - 13 PB DOUBLE FOR 3P DEFLECTOR	74

APPLICATION ASSEMBLY



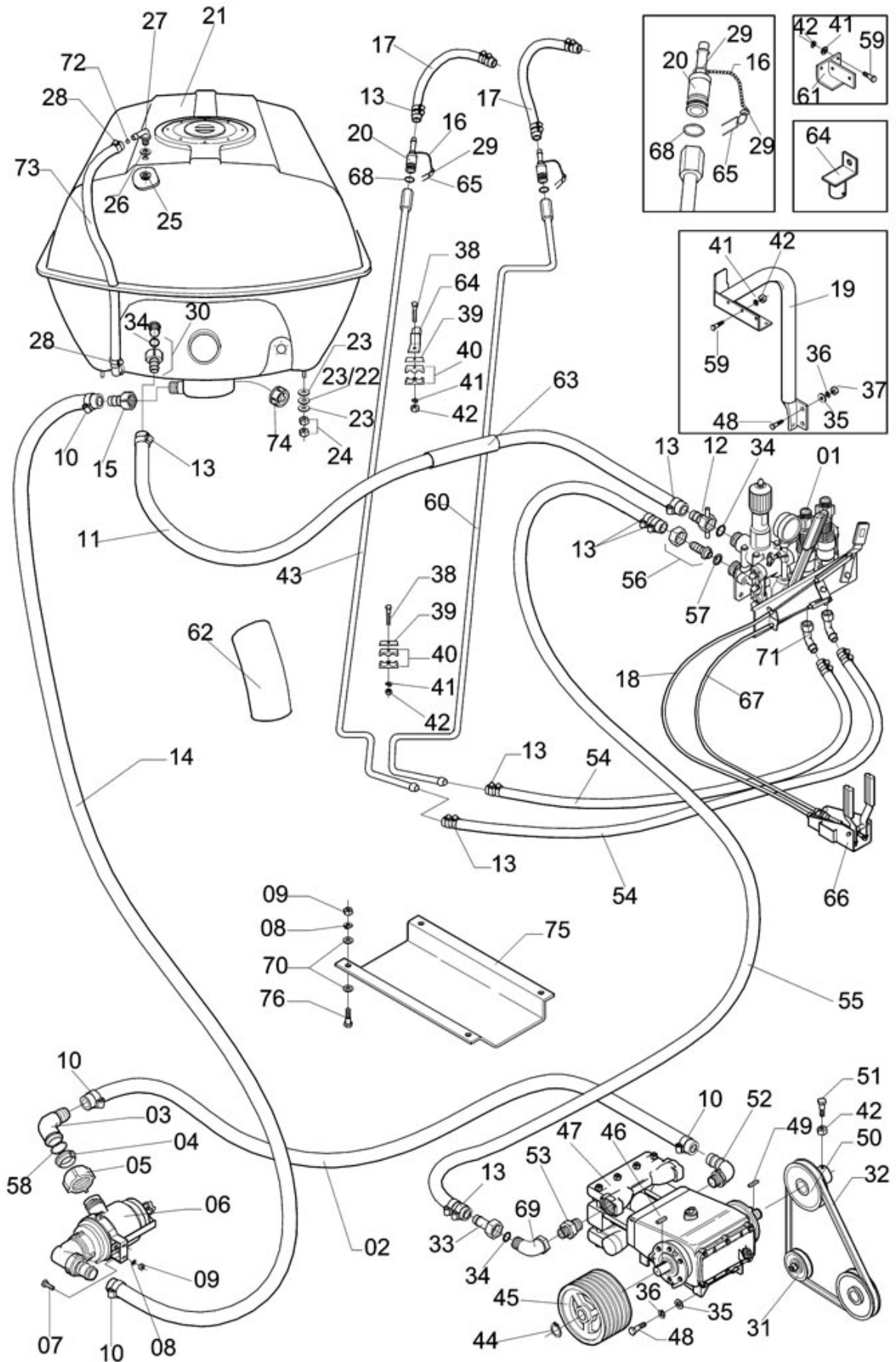
CA-119

APPLICATION ASSEMBLY

Continuation

Item	CODE	DESCRIPTION	Qty.	Item	CODE	DESCRIPTION	Qty.
00	431973	Application assembly	1				
01	037390	Deflector	1				
02	108332	Hex. bolt 1/2" - 13 UNC x 1.1/4"	4				
03	818112	Flat washer 130 x 240 x 30	4				
04	908582	Lock washer 1/2"	4				
05	325050	Spacer bushing 95	12				
06	204560	Adjustable flap	2				
07	204750	Stud bolt ø 3/8" x 245	7				
08	331140	Stud bolt ø 3/8" x 335	2				
09	422436	Flat washer 104 x 254 x 19	52				
10	108761	Nut 3/8" - 16 UNC]	18				
11	054072	Antidebris sheet	1				
12	427971	Support body	2				
13	912667	Bolt 5/16" x 18 UNC x 7/8	8				
14	013433	Flat washer	17				
15	519736	Lock washer M8	26				
16	107102	Hex. nut ø 5/16" x - 18 UNC	8				
17	660019	Right nozzle branch assembly	1				
18	659995	Right nozzle branch	1				
19	645887	Double nozzle holder II assembly	26				
20	330928	Nozzle seat	52				
21	441691	Reflector 80	2				
22	325431	Cone nozzle J5-2	26				
22A	325423	Cone nozzle J4-2	26				
23	642462	Spacer ring	52				
24	441360	Spacer bushing 184	2				
25	660027	Left nozzle branch assembly	1				
26	660001	Left nozzle branch	1				
27	910513	Bolt ø 1/4" - 20 UNC x 3/4"	10				
28	712554	Flat washer 68 x 160 x 12.4	10				
29	910117	Lock washer ø 1/4"	10				
30	819292	Hex. nut 1/4" - 20 UNC (stainless steel)	10				
31	430942	Fan guard screen	1				
32	820282	Bolt ø 5/6" - 18 UNC x 1.3/4"	8				
33	420281	Flat washer 82 x 350 x 30	12				
34	325258	Rear bumper	1				
35	324301	Bolt ø 5/8"- 11 UNC x 1.1/2"	4				
36	764142	Lock washer M16	4				
37	833442	Front hood	1				
38	937904	Thumbscrew ø 5/16"	2				
39	019414	Spacer bushing 87	2				
40	019471	Support 5/16"	3				
41	019430	Cover 90 x 170	1				
42	836502	Screw 5/16" - 18 UNC x 1"	3				
43	912758	Hex. nut 5/16" - 18 UNC	3				
44	637041	Bolt ø 5/16" - 20 UNC x 5/8"	3				
45	358465	Fan lock guard	1				
46	734640	Deflector vane	2				
46A	519785	Rivbet Pop	12				
46B	655506	Vane hinge	2				
47	817338	Bolt ø 5/16" - 18 UNC x 1.1/2"	4				
48	900761	Drain cap ø 67	1				
49	436535	Plastic tap	1				
	039396	Sticker: "PTO shaft protection"	1				
	354746	Sticker: Warning 1 (English)	1				
	354761	Sticker: Warning (2)	1				
	360248	Sticker: "Fan guard screen"	1				
	442673	Sticker: "Sprayer maintenance"(Eng.)	1				
	625202	Sticker: "Lubricate periodically"	1				

CHEMICAL CIRCUIT



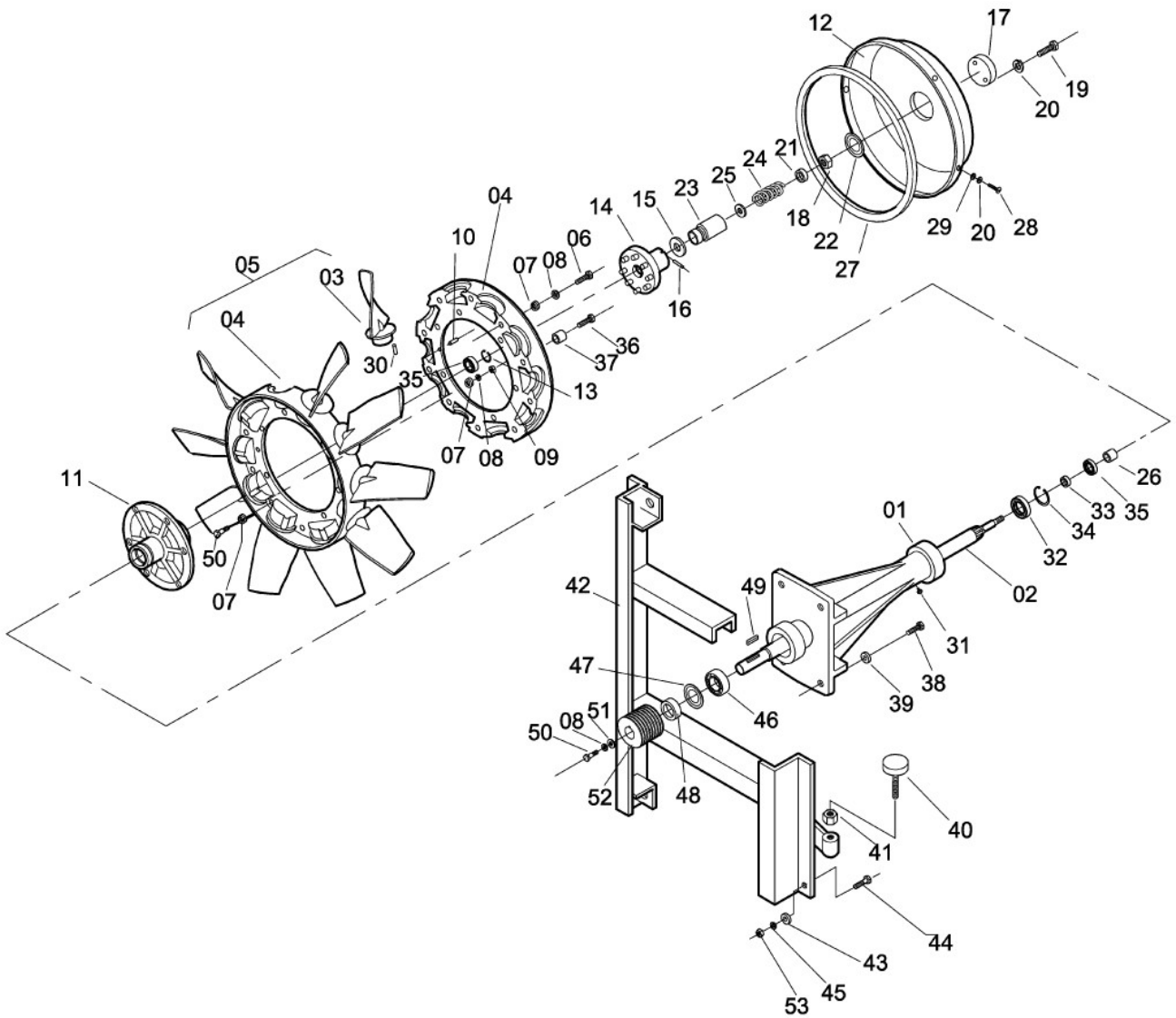
CD-191

CHEMICAL CIRCUIT

Continuation

Item	CODE	DESCRIPTION	Qty.	Item	CODE	DESCRIPTION	Qty.
00	434308	Chemical circuit	1	56	954305	Fitting 1"	1
00A	727925	Flexible coupling 9	1	57	402412	Lock washer \varnothing 31 x 22.5 x 22.5/3.0	1
00B	213447	Mechanical agitator	1	58	429118	Packing ring	1
01	431759	Directional valve with cable control	1	59	836502	Screw 5/16" - 18 UNC x 1"	4
02	613703	Hose 2" x 495	1	60	654442	Tube 2930 (left)	1
03	725135	Curve hose fitting 2" x 90	1	61	073544		1
04	005918	Locking ring	1	62	073502		1
05	005900	Coupling nut	1	63	427856	Protective hose	1
06	941344	Suction Filter FVS-200	1	64	457291	Support	2
07	663161	Bolt 3/8" - 16 UNC x 7/8"	2	65	636399	Quick fitting clamp	2
08	908566	Lock washer \varnothing 3/8"	6	66	431692	Spray control actuator	1
09	912774	Hex. nut 3/8" - 16 UNC	6	67	877381	Flexible cable with coupling end	1
10	626580	Clamp D51-64	4	68	440982	O-ring OR1-117	2
11	434258	Hose 1.1/4" x 1250 (supplied per m.)	1	69	116830	Male/female elbow \varnothing 1.1/4" BSP 900	1
12	819995	Hose fitting 1.1/4" with nut and seal	1	70	422436	Flat washer 104 x 254 x 19	8
13	330969	Clamp D25-38 - stainless steel	22	71	434407	Curve fitting 35°	2
14	727792	Hose 2" x 340	1	72	324764	Float \varnothing 14	1
15	949461	Hose fitting \varnothing 2" with cap	1	73	818484	Transparent hose \varnothing 3/4" x 1100	1
16	437822	Chain 120 mm	2	74	900761	Drain cap \varnothing 67	1
17	435321		2	75	724211	Sump shield	1
18	877399		1	76	913665	Hex. head bolt 3/8" - 16 UNC x 1.1/4"	4
19	556522	Control support	1	515734	Sticker: "Clean filter..."	1	
20	567453	Quick fitting 3/4"	2				
21	668327	2000-liter tank assembly	1				
22	116665	Shock absorbing washer	4				
23	708099	Flat washer 180 x 404 x 47.5	14				
24	326298	Nut \varnothing 5/8" - 11 UNC - stainless steel	12				
25	428748	Flanged nut 1/2" BSP -14 F.P.P.	2				
26	563510	Seal washer \varnothing 36,3	2				
27	428730	Elbow 3/4" x 1/2" BSP -14 F.P.P.	2				
28	423814	Clamp D22-32 - stainless steel	2				
29	622969	Double ring \varnothing 22 x 26 x 3	4				
30	117556	Fitting for hose \varnothing 1.1/4" with nut and seal	1				
31	645416	Tightening pulley assembly 78 x 1A (PE-78 I)	1				
32	916106	Belt A-35	1				
33	353078	Hose fitting 1" with nut	1				
34	731521	O-ring OR1 - 124	3				
35	418152	Flat washer 132 x 258 x 26.5	6				
36	908582	Lock washer 1/2"	6				
37	912790	Hex. nut 1/2" - 13 UNC	2				
38	911412	Hex. bolt 5/16" x 2" - 18 UNC	2				
39	618405	Semiclamp plate 25 x 17	2				
40	732040	Semiclamp for tube 19	4				
41	519736	Lock washer M8	8				
42	912758	Hex. nut 5/16" - 18 UNC	9				
43	654475	Tube 2400 (right)	1				
44	203067	Snap ring for shaft \varnothing 35	1				
45	639120	Pulley \varnothing 200-6-3V	1				
46	108936	Square key 3/8" x 35	1				
47	323121	Spray pump JP-150	1				
48	108332	Hex. bolt 1/2" - 13 UNC x 1.1/4"	6				
49	015305	Square key 5/16" x 30	1				
50	425470	Pulley \varnothing 146 x 1A	1				
51	912667	Bolt 5/16" x 18 UNC x 7/8	1				
52	613679	Hose fitting 2" x 1.1/2" BSP	1				
53	437962	Nipple 1.1/2" x 1"	1				
54	434266		2				
55	868679	Hose MBP-16 - 1" x 340	1				

DRIVEN TRANSMISSION



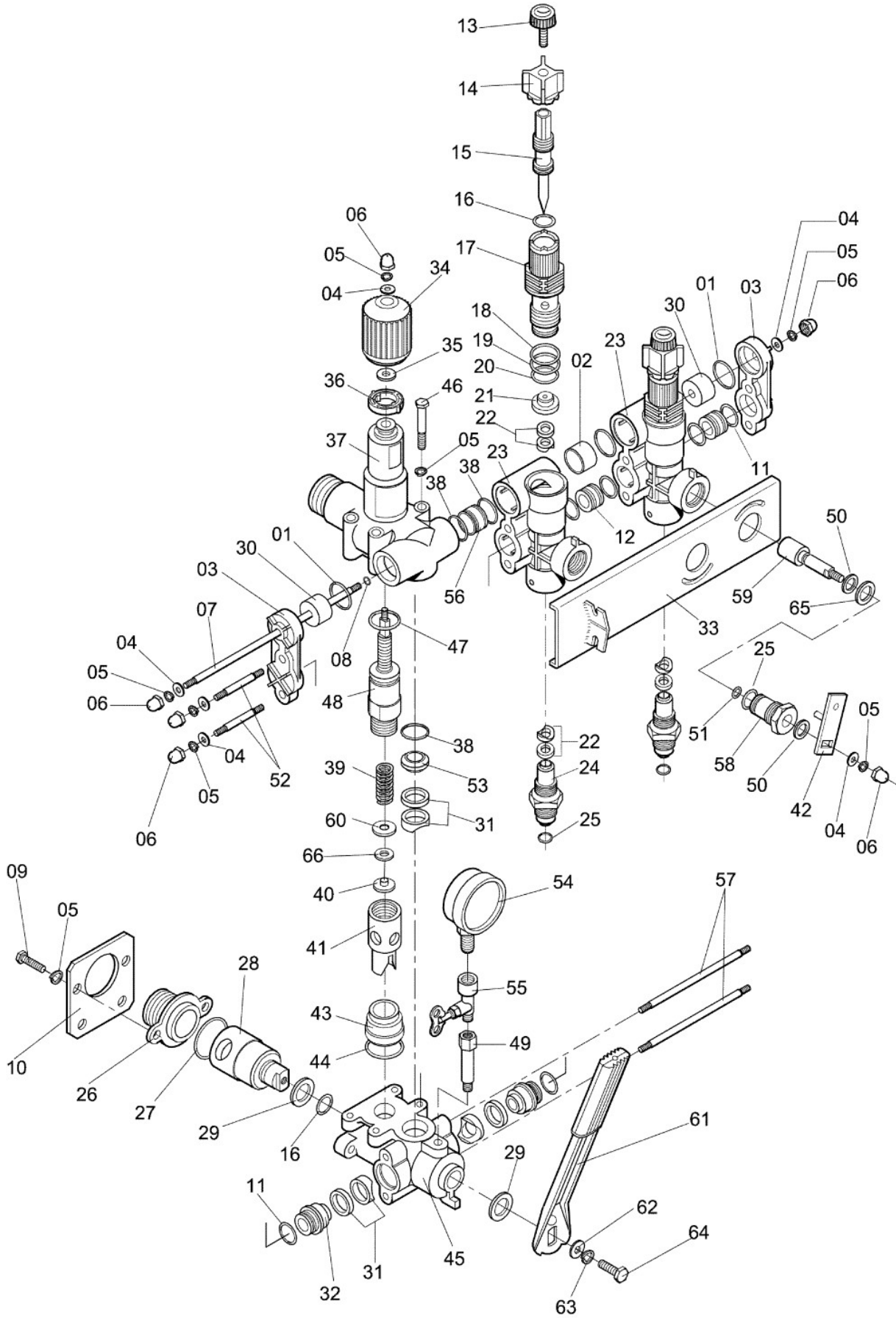
TMV-2A

DRIVEN TRANSMISSION

Continuation

Item	CODE	DESCRIPTION	Qty.	Item	CODE	DESCRIPTION	Qty.
00	039230	Driven transmission	1				
01	728840	Transmission bearing	1				
02	039248	Shaft 785	1				
03	038661	Fan blade 850	10				
04	642421	Blade fastening flange assembly	1				
05	348995	Fan assembly	1				
06	721704	Hex. bolt 5/16" UNC 1.1/4"	6				
07	013433	Flat washer	26				
08	519736	Lock washer M8	17				
09	912758	Hex. nut 5/16" - 18 UNC	10				
10	625533	Flexible pin (heavy) 4 x 24	1				
11	018481	Flange hub	1				
12	935379	Hub cap	1				
13	203067	Snap ring for shaft ø 35	1				
14	018713	Grooved hub with pins	1				
15	011643	O-ring ORI-129	1				
16	427567	Flexible pin ø 5 x 32	1				
17	201087	Disc ø 70	1				
18	108787	Nut DODI-LOC ø 1/2" - 13 UNC	1				
19	202853	Screw ø 3/16" UNC x 1/2"	2				
20	520676	Lock washer M5	7				
21	728667	Guide washer	1				
22	939223	Packing ring	1				
23	201103	Coupling hub	1				
24	204537	Compression spring	1				
25	707570	Flat washer 165 x 305 x 19	5				
26	232686	Spacer 51.4	1				
27	018655	Packing 1015	1				
28	907584	Screw 3/16" UNC x 5/16"	5				
29	501692	Flat washer 52 x 120 x 12	5				
30	019026	Pin ø 8.40 x 10	10				
31	430652	Bearing breather	1				
32	203737	Fixed bearing	1				
33	518118	Spacer ring	1				
34	324145	Snap ring for hole ø 80	1				
35	202549	Fixed bearing	2				
36	939140	Screw M6 x 16	8				
37	937607	Bushing ø 17.6 x 16	8				
38	023853	Bolt ø 1/2" - 13 UNC x 1.1/2"	4				
39	908582	Lock washer 1/2"	4				
40	941948	Tightening screw ø 1/2" - 13 UNC	2				
41	326280	Nut ø 1/2" UNC	2				
42	954115	Adjustable frame	1				
43	708099	Flat washer 180 x 404 x 47.5	4				
44	325282	Bolt ø 5/8" - 11 UNC x 1.1/2"	4				
45	764142	Lock washer M16	4				
46	728899	Fixed bearing	1				
47	728907	Packing ring	1				
48	728576	Spacer 15	1				
49	519793	Square key 9.53 (3/8") x 45	1				
50	836502	Screw 5/16" - 18 UNC x 1"	11				
51	507665	Flat washer 82 x 506 x 30	1				
52	038687	Pulley ø 87 - 9 - 3V	1				

DIRECTIONAL VALVE WITH CABLE CONTROL



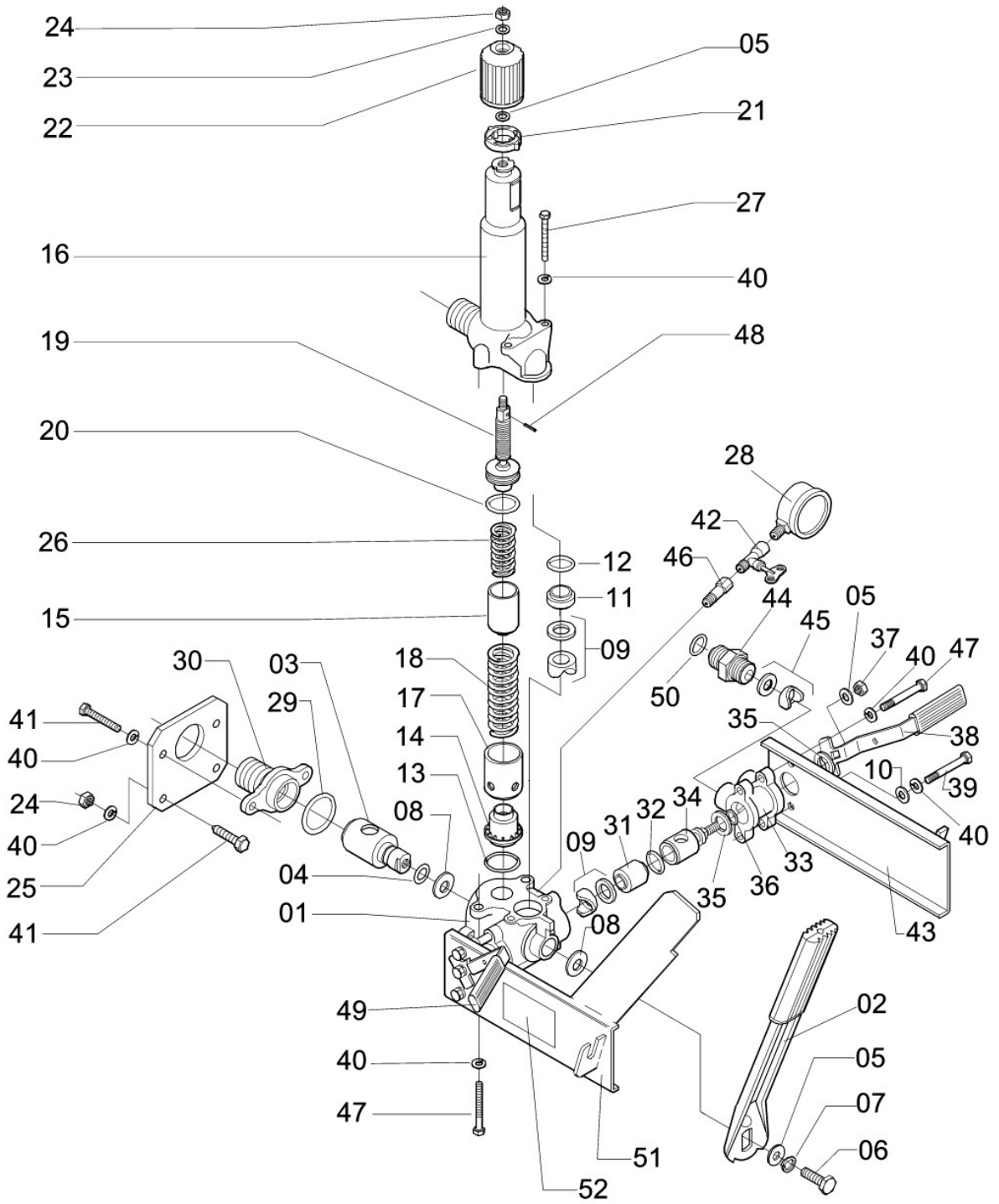
CV-131

DIRECTIONAL VALVE WITH CABLE CONTROL

Continuation

Item	CODE	DESCRIPTION	Qty.	Item	CODE	DESCRIPTION	Qty.
00	431759	Directional valve with cable control	1	60	128645	Spring guide	1
01	706820	O-ring ORI-121	2	61	440446	Central lever	1
02	945881	Union ring	1	62	422436	Flat washer 104 x 254 x 19	1
03	944884	Cap	2	63	209395	Lock washer M10	1
04	013433	Flat washer	9	64	945840	Bolt M-10 x 16 x 1.5	1
05	519736	Lock washer M8	17	65	431841	Flat washer 275 x 380 x 19	2
06	945832	Box nut M8 x 1,0	9	66	414771	O-ring ø 20 x 11 x 3.0	1
07	238568	Stud bolt (for control with 4 way)	1		979583	Sticker: "Control maintenance..."	1
08	322040	O-ring ORI-011	2				
09	810705	Bolt M-8 x 30 x 1,25	2				
10	019935	Support	1				
11	210146	O-ring OR1-117	6				
12	945915	Ring ø 24	2				
13	945998	Bolt M8 x 30 x 1.25	2				
14	944900	Grip	2				
15	944892	Needle assembly	2				
16	706796	O-ring OR1-114	3				
17	944876	Fastener	2				
18	731521	O-ring OR1 - 124	2				
19	011668	O-ring OR1-122	2				
20	106955	O-ring OR1-120	2				
21	946046	Cell	2				
22	127431	Seat and packing ring	4				
23	944868	Control body	2				
24	945923	Outlet nipple	2				
25	832857	O-ring OR1-115	4				
26	019943	Flanged fitting with thread 1.1/4 BSP	1				
27	216200	O-ring ORI-132	1				
28	946152	Core	1				
29	010645	Core seat washer	2				
30	233684	Union ring	2				
31	127415	Seat and packing ring	3				
32	945931	Seat	2				
33	431767	Cable support	1				
34	010629	Knob	1				
35	624130	Flat washer 100 x 180 x 12	1				
36	011031	Lock	1				
37	946111	Cylinder	1				
38	012724	O-ring ORI-119	5				
39	128652	Compression spring	1				
40	215756	Valve insert	1				
41	220103	Regulator	1				
42	431791	Core lever	2				
43	946145	Valve seat	1				
44	011593	O-ring OR1-219	1				
45	946178	Regulator body	1				
46	520726	Hex head bolt M8 x 60 x 1.25	4				
47	216192	O-ring OR1-213	1				
48	461871	Adjusting screw with spring seat	1				
49	014423	Pressure gauge extension	1				
50	414748	O-ring ø 22 x 1.5	4				
51	955617	O-ring OR2-110	2				
52	945907	Stud bolt M8 x 1.25 x 156	2				
53	010793	Packing seat spacer 29 x 12.5	1				
54	427823	Pressure gauge (glycerin-filled)	1				
55	507319	Needle valve for pressure gauge	1				
56	945873	Ring ø 28	2				
57	431833	Stud bolt M-8 x 39.5	2				
58	431866	Core seat	2				
59	431783	Right core	2				

CABLE DIRECTIONAL VALVE (0-40 KGF/CM²)



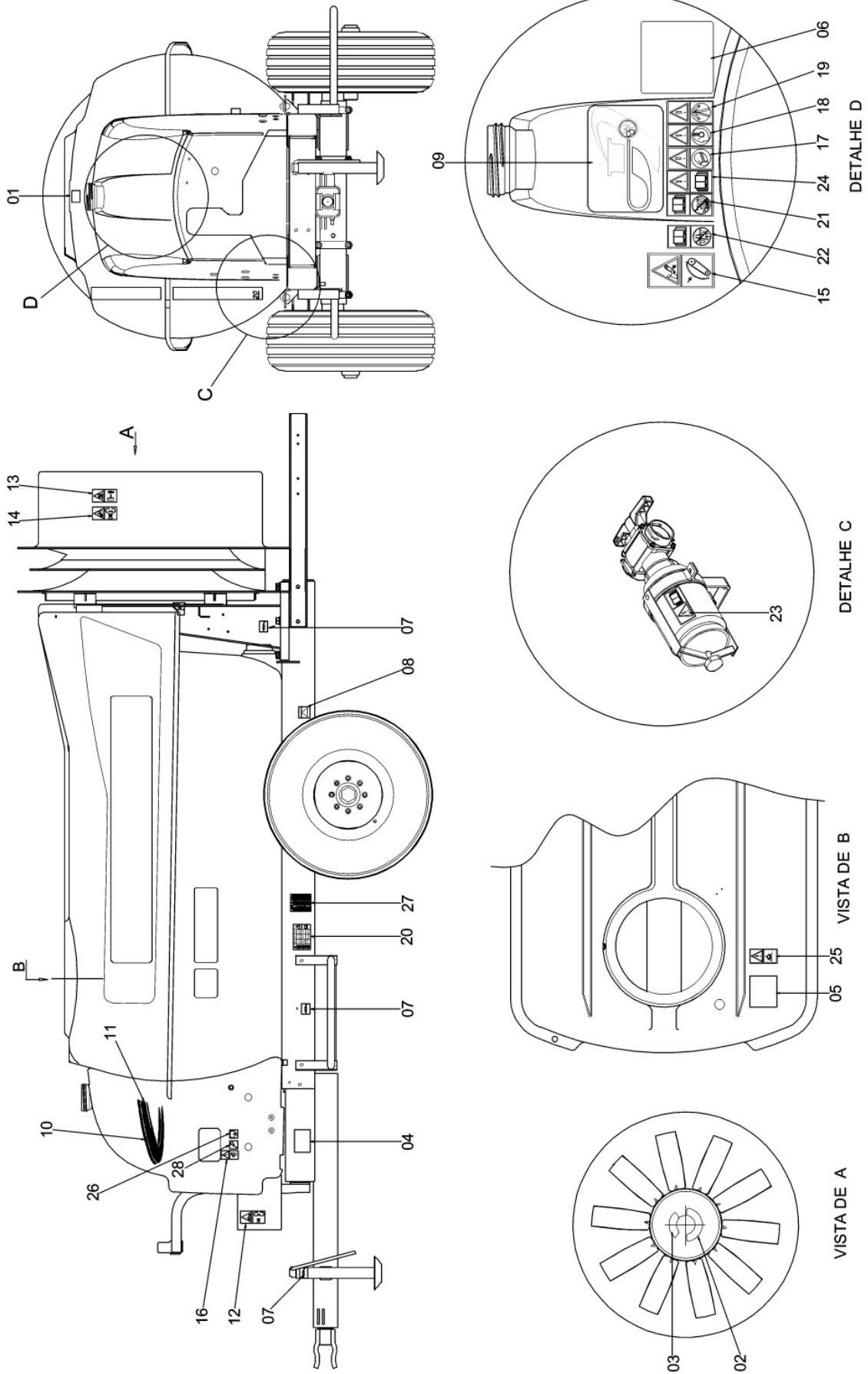
CV-297

CABLE DIRECTIONAL VALVE (0-40 KGf/CM²)

Continuation

Item	CODE	DESCRIPTION	Qty.	Item	CODE	DESCRIPTION	Qty.
00	870485	Cable directional valve (0-40 kgf/cm ²)	1				
01	935999	Valve body	1				
02	010587	Lever	1				
03	717835	Core	1				
04	706796	O-ring OR1-114	1				
05	623884	Flat washer 105 x 210 x 20	4				
06	917682	Bolt 3/8" - 16 UNC x 1/2"	1				
07	908566	Lock washer ø 3/8"	1				
08	010645	Core seat washer	2				
09	110593	Seat and packing ring	3				
10	431486	Spacer	2				
11	010793	Packing seat spacer 29 x 12.5	1				
12	012724	O-ring ORI-119	1				
13	011593	O-ring OR1-219	1				
14	010710	Valve seat	1				
15	616144	Spring spacer	1				
16	616102	Cylinder	1				
17	010728	Valve with insert	1				
18	622712	Compression spring ø 25 x 90	1				
19	117960	Adj. screw 1/2" UNF (w/ spring seat)	1				
20	011601	O-ring ORI-213	1				
21	011031	Lock	1				
22	010629	Knob	1				
23	013433	Flat washer	1				
24	912758	Hex. nut 5/16" - 18 UNC	3				
25	107441	Support	1				
26	616151	Spring ø 18 x 34	1				
27	831503	Hex. bolt 5/16"-18 UNC x 1.3/4"	2				
28	551945	Pressure gauge (0 to 40 kgf/cm ²) (glycerin-filled)	1				
29	106948	O-ring OR1-130	1				
30	010777	Flanged fitting 1" BSP	1				
31	010801	Spacer ø 29 x 19.4	2				
32	011668	O-ring OR1-122	2				
33	357947	Valve body	2				
34	357954	Core ø 26	2				
35	010769	Core seat washer ø 24	4				
36	011676	O-ring OR1-111	2				
37	810770	Hex. nut M-8 x 1.25	2				
38	357962	Lever	2				
39	729038	Bolt 5/16" x 2.3/4"	2				
40	519736	Lock washer M8	12				
41	836502	Screw 5/16" - 18 UNC x 1"	4				
42	507319	Needle valve for pressure gauge	1				
43	358127	Support	2				
44	823435	Outlet nipple	2				
45	110601	Seat and packing ring	2				
46	014423	Pressure gauge extension	1				
47	627992	Hex. head bolt 5/16" - 18 UNC x 2.1/2	4				
48	917369	Flexible pin (heavy) 3 x 22	1				
49	945964	Lever handgrip	2				
50	322057	O-ring ORI-114	2				
51	991752	Support	1				
52	979583	Sticker: "Control maintenance..."	1				

STICKERS LABELS LAYOUT FOR ARBUS 2000



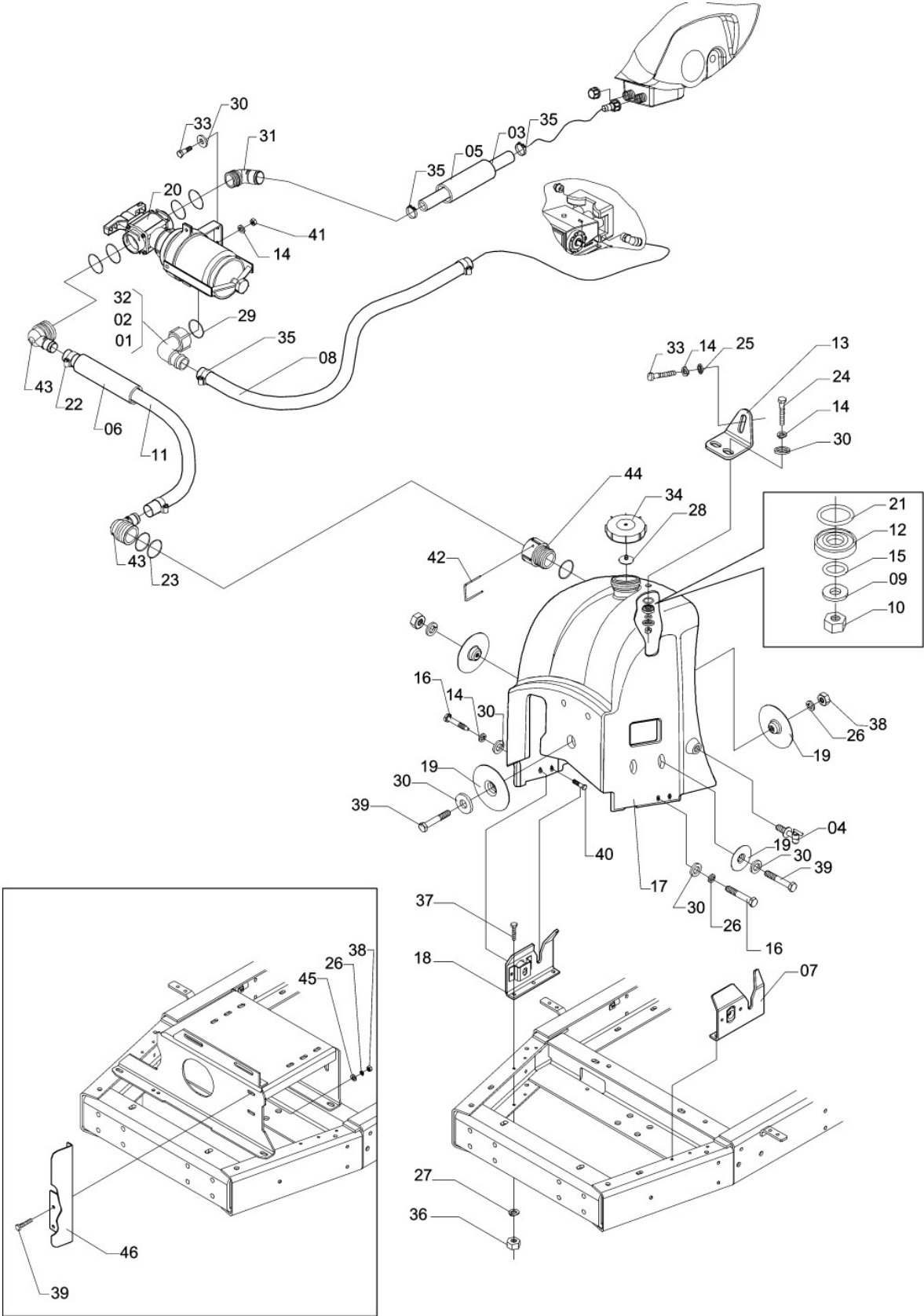
ADS-7

STICKERS LAYOUT FOR ARBUS 2000

Continuation

Item	CODE	DESCRIPTION	Qty.	Item	CODE	DESCRIPTION	Qty.
00	474858	Stickers Layout for Arbus 2000	1				
01	013169	Sticker: "OK- FINAL TEST"	1				
02	018705	Sticker: "Fan lock instructions"	1				
03	039222	Sticker: "850"	1				
04	047035	Sticker: "Table - (Identification Plate)"	1				
05	169128	Sticker: "Chemical container rinse nozzle"	1				
06	219717	Sticker: Drawbar adjustment (Spanish)	1				
07	276220	Sticker: "Lubrication Point Indication"	2				
08	276238	Sticker: "Jack Positioning Indication"	2				
09	280727	Sticker: "Jacto" logotype	1				
10	391276	Sticker: Stripe for hood - left	1				
11	391292	Sticker: Stripe for hood - right	1				
12	379008	Sticker: "Danger - PTO Shaft"	1				
13	379040	Sticker: "Attention - Keep at a Distance"	1				
14	379057	Sticker: "Keep at a Distance - Fan"	1				
15	379065	Sticker: "Keep all shields in place"	1				
16	379107	Sticker: "Hydraulic Oil Level"	1				
17	379115	Sticker: "Obligatory Use of Respirator"	1				
18	379123	Sticker: "Obligatory Use of Hearing Protection"	1				
19	379131	Sticker: "Obligatory Use of Protective Clothing"	1				
20	379164	Sticker: "Nut Torque"	2				
21	379214	Sticker: "Maximum Speed 30 KM/H"	1				
22	379222	Sticker: "This Machine Is Not Allowed In Highways"	1				
23	379230	Sticker: "Read Operator's Manual - Horizontal"	1				
24	379248	Sticker: "Read Operator's Manual - Vertical"	1				
25	380014	Sticker: "Attention: Do Not Get Into The Tank"	1				
26	389387	Sticker: "Drain Indication"	1				
27	391631	Sticker: "Tire Pressure Indication"	2				
28	395061	Sticker: "Lubrication Point Indication -"	1				

FRONT HOOD ASSEMBLY



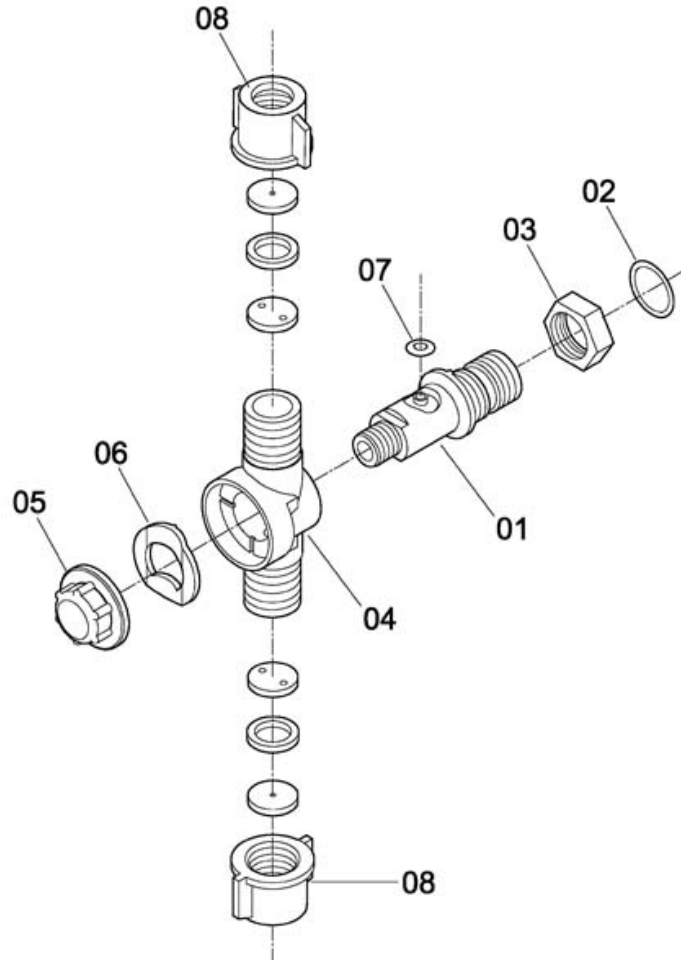
CD-424

FRONT HOOD ASSEMBLY

Continuation

Item	CODE	DESCRIPTION	Qty.	Item	CODE	DESCRIPTION	Qty.
00	288688	Front hood assembly	1				
01	005900	Coupling nut filter	1				
02	005918	Locking ring	1				
03	010132	Hose SAE 100 R4 - 32 x 310	1				
04	044180	Plastic tap 23 x 3/8" BSP	1				
05	066589	Protective hose 76.2 x 170	1				
06	081950	Protective hose Ø1.1/2" x 350	1				
07	083717	Hood support - Left	1				
08	095885	Hose SAE 100 R4 - 32 x 560	1				
09	109678	Flat washer 105 x 254 x 12.4	2				
10	132167	Hex. nut M10 x 1.5 - stainless steel	2				
11	153015	Hose 1.1'4" x 540	1				
12	155473	Seal washer 1" x 10.5	2				
13	191767	Hood Fastener	1				
14	209395	Lock washer M10	7				
15	231845	O-ring OR1-110	2				
16	265165	Hood Fastener	2				
17	268755	Hood with 90-L Tank	1				
18	277228	Hood support - right	1				
19	277236	Washer no. 1000 x 90 x 19	10				
20	279844	Suction filter with valve 200 L/min	1				
21	322057	O-ring ORI-114	2				
22	330969	Clamp D25-38 - stainless steel	2				
23	417717	O-ring OR1-227	7				
24	443838	Bolt M10 x 40 x 1.50	2				
25	507855	Flat washer 103 x 375 x 30	1				
26	519736	Lock washer M8	7				
27	521666	Lock washer M6	6				
28	560573	Diaphragm	1				
29	588665	Packing ring	1				
30	623884	Flat washer 105 x 210 x 20	6				
31	676312	Hose fitting ø 2" x 135	1				
32	725135	Curve hose fitting 2" x 90	1				
33	757559	Hex. bolt M10 x 30 x 1.25	3				
34	762856	Cover ø 130	1				
35	787309	Clamp 5765	4				
36	810689	Hex. nut M6 x 1.00	6				
37	810697	Bolt M6 x 1 x 20	6				
38	810770	Hex. nut M-8 x 1.25	7				
39	829382	Hex head bolt M8 x 25 x 1.25	7				
40	832170	Hex. bolt M12 x 45 x 1.75 cl 5.8	2				
41	907030	Hex. nut M10 x 1.25	2				
42	970103	Lock 56	1				
43	979880	Elbow fitting 1.1/4" x 90°	2				
44	991703	Tank sump fitting	1				
45	377911	Flat washer 84 x 160 x 16	2				
46	924753	Belts protector	2				

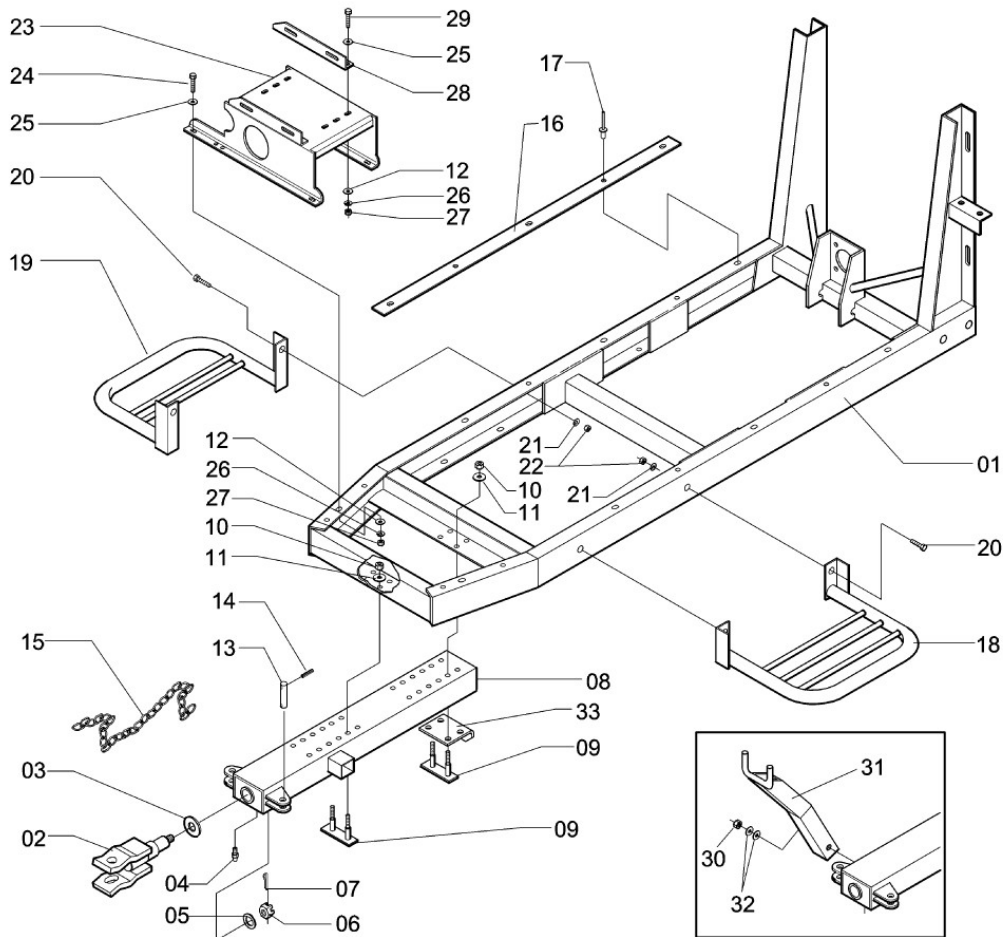
DOUBLE NOZZLE HOLDER LL ASSEMBLY



BC-19

Item	CODE	DESCRIPTION	Qty.	Item	CODE	DESCRIPTION	Qty.
00	645887	Double nozzle holder ll assembly	1				
01	645838	Nozzle holder core	1				
02	120071	O-ring ORI - 015	1				
03	645853	Hex. nut 3/8" -19 BSP	1				
04	645895	Double nozzle holder body	1				
05	645879	Retainer washer	1				
06	645861	Flat spring	1				
07	340851	O-ring OR2 - 201	1				
08	710590	Nozzle cap	2				

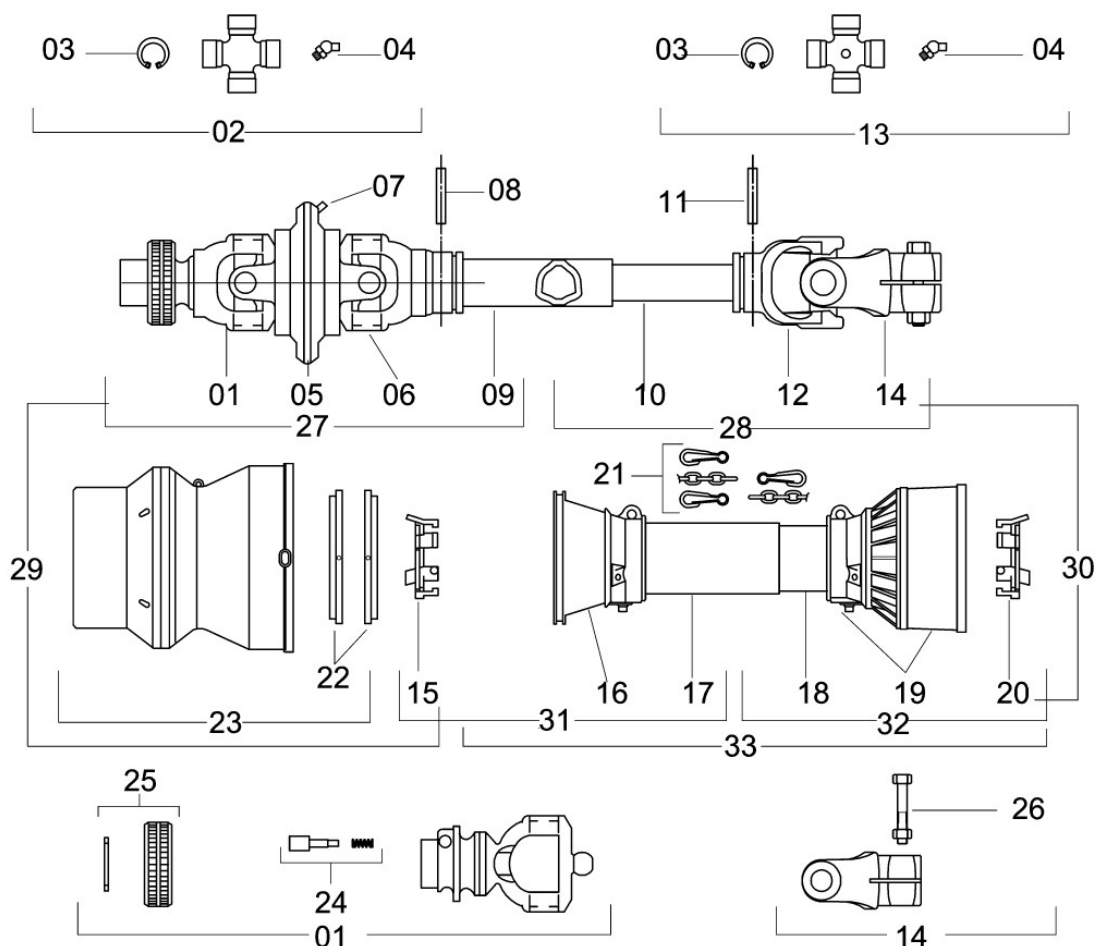
TRAILER ASSEMBLY



C-68

Item	CODE	DESCRIPTION	Qty.	Item	CODE	DESCRIPTION	Qty.
00	431031	Trailer assembly	1	23	724047	Pump base	1
00A	430991	Trailer 2031	1	24	913665	Hex. head bolt 3/8" - 16 UNC x 1.1/4"	4
00B	997551	Adjustable axle n° 13	1	25	422436	Flat washer 104 x 254 x 19	6
00C	431064	Jack no. 10	1	26	908566	Lock washer ø 3/8"	6
01	437434	Trailer chassis	1	27	912774	Hex. nut 3/8" - 16 UNC	6
02	620815	Trailer hitch	1	28	724161	Pump support (rear)	1
03	007567	Flat washer 500 x 700 x 47.5	1	29	912709	Bolt ø 3/8" - 16 UNC x 1"	2
04	910463	Grease nipple 1/4" - 28 UNF	1	30	202663	Hex. nut 1/2" - 13 UNC	1
05	001982	Flat washer 300 x 650 x 63	1	31	556704	PTO shaft support	1
06	625160	Castle nut 1.1/8" - 7 UNC	1	32	715979	Flat spring	2
07	209783	Cotter pin ø 3/16" x 1.1/2"	1	33	137299	Fastening plate	2
08	233833	Trailer tongue	1		130138	Sticker: ¿Tires pressure¿	2
09	926170	Hitch setting plate	2		515726	Sticker: Lubricate daily	1
10	228957	Nut ø 5/8" - 18 UNF	8		515734	Sticker: "Clean filter..."	1
11	881243	Flat washer 170 x 300 x 19	8				
12	416735	Flat washer 100 x 260 x 30	6				
13	104836	Cylinder shaft	1				
14	330076	Flexible pin ø 4 x 16 (heavy)	2				
15	118216	Chain 2200	1				
16	732032	Tank seat	2				
17	324681	Rivet Pop ø 4.8 x 16.6	6				
18	437616	Platform	1				
19	724344	Filter guard rail	1				
20	108332	Hex. bolt 1/2" - 13 UNC x 1.1/4"	4				
21	908582	Lock washer 1/2"	4				
22	912790	Hex. nut 1/2" - 13 UNC	4				

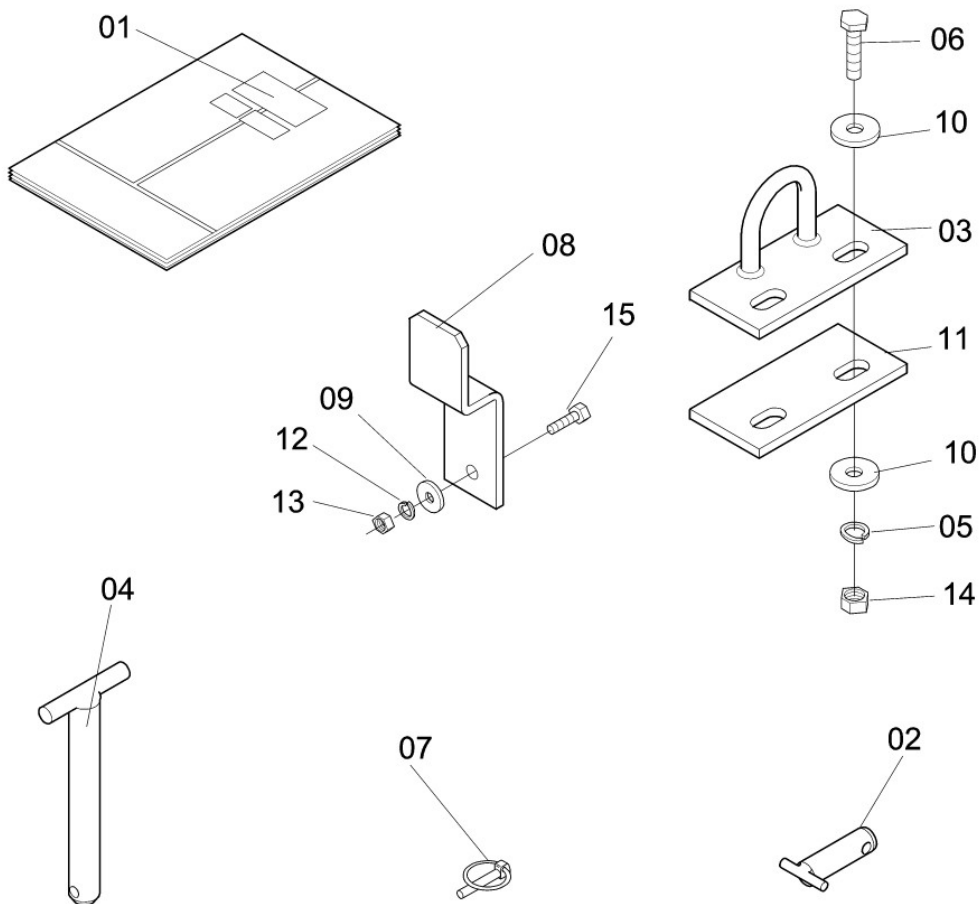
CV PTO SHAFT ASSEMBLY



CN-12

Item	CODE	DESCRIPTION	Qty.	Item	CODE	DESCRIPTION	Qty.
00	238113	CV PTO shaft assembly	1	26	457192	Bolt and nut	1
01	640573	Coupling end with lock	1	27	640664	Coupling end assembly (PTO end)	1
02	640581	Cross	2	28	640672	Coupling end assembly (sprayer end)	1
03	456947	Flexible ring	12	29	640680	Half-PTO shaft assembly (PTO end)	1
04	457044	Grease nipple	3	30	640698	Half-PTO shaft assembly (sprayer end)	1
05	640599	Central body	1	31	640706	Shield assembly (female end)	1
06	640607	Female tube coupling end	1	32	640714	Shield assembly (male end)	1
07	366542	Grease nipple M6 x 1.0	1	33	640722	Shield assembly (male/female end)	1
08	456970	Flexible pin	1				
09	456988	Female tube	1				
10	456996	Male tube	1				
11	227355	Flexible pin	1				
12	457010	Male tube coupling end	1				
13	457028	Cross	1				
14	640623	Coupling end (sprayer end)	1				
15	457069	Shield lock	1				
16	640631	Cross shield (tractor end)	1				
17	457085	Female tube shield	1				
18	457093	Male tube shield	1				
19	572321	Cross shield (sprayer end)	1				
20	457119	Shield lock	1				
21	572347	Chain	3				
22	640649	Shield lock	1				
23	640656	Shield (CV joint assembly)	1				
24	457176	Lock with spring	1				
25	457184	Lock knob	1				

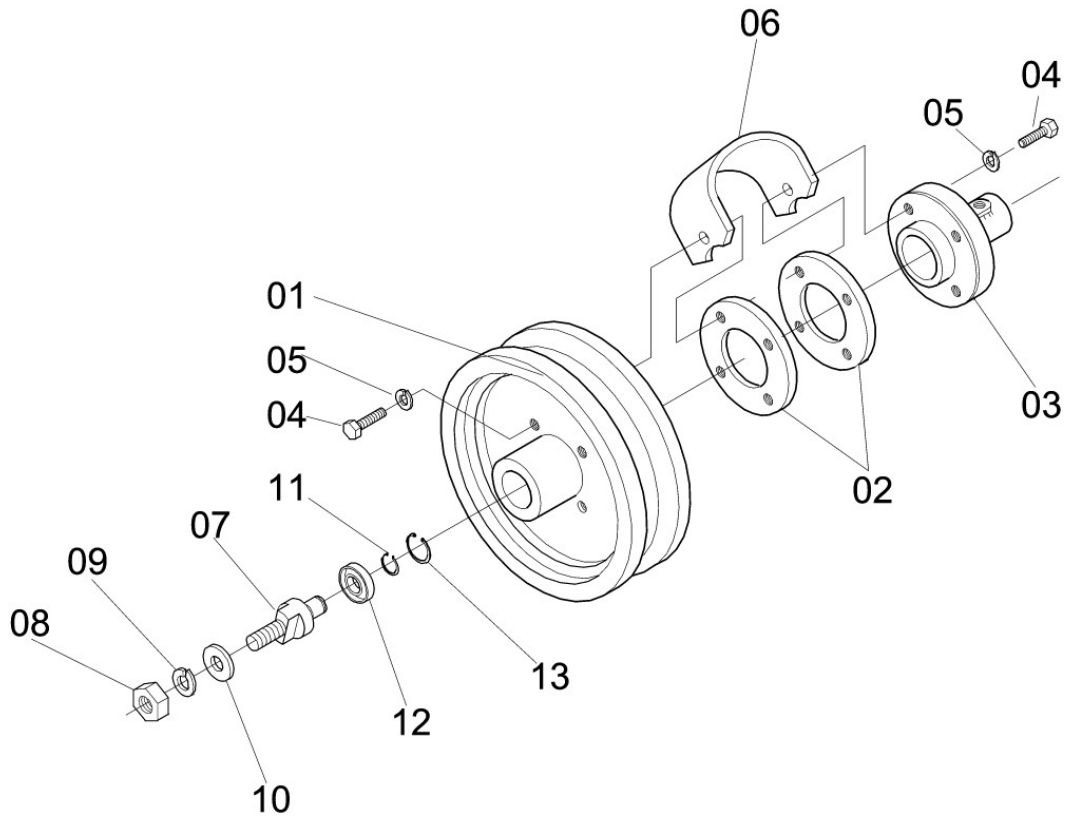
ACCESSORIES BOX



CXA-9

Item	CODE	DESCRIPTION	Qty.	Item	CODE	DESCRIPTION	Qty.
00	435339	Accessories box	1				
02	118190	Chain fastening pin	1				
03	118208	Chain holder	1				
04	824003	Tee pin	1				
05	764142	Lock washer M16	2				
06	218255	Hex. bolt 5/8"-11 UNC	2				
07	330407	Universal lock pin 5/16"	2				
08	431718	Operating holder	1				
09	013433	Flat washer	2				
10	708099	Flat washer 180 x 404 x 47.5	4				
11	819680	Chain holder clip plate	1				
12	519736	Lock washer M8	2				
13	912758	Hex. nut 5/16" - 18 UNC	2				
14	916734	Hex. nut 5/8" - 11 UNC	2				
15	836502	Screw 5/16" - 18 UNC x 1"	2				

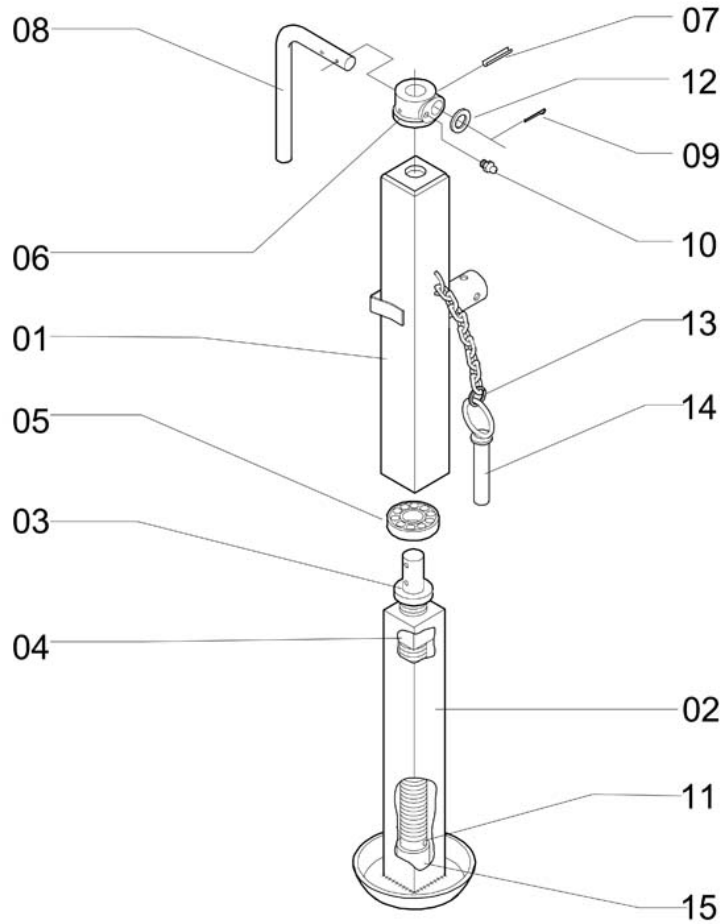
FLEXIBLE COUPLING 9



LE-9

Item	CODE	DESCRIPTION	Qty.	Item	CODE	DESCRIPTION	Qty.
00	727925	Flexible coupling 9	1				
01	727917	Pulley \varnothing 146-1A	1				
02	326462	Ring	2				
03	326470	Hub \varnothing 19	1				
04	836502	Screw 5/16" - 18 UNC x 1"	8				
05	519736	Lock washer M8	8				
06	326447	Flexible link 125	4				
07	817627	Tightening pulley shaft 15 x 50.5	1				
08	912790	Hex. nut 1/2" - 13 UNC	1				
09	908582	Lock washer 1/2"	1				
10	818112	Flat washer 130 x 240 x 30	1				
11	910851	Snap ring for shaft 15	1				
12	328781	Fixed bearing	1				
13	517557	Snap ring for hole	1				

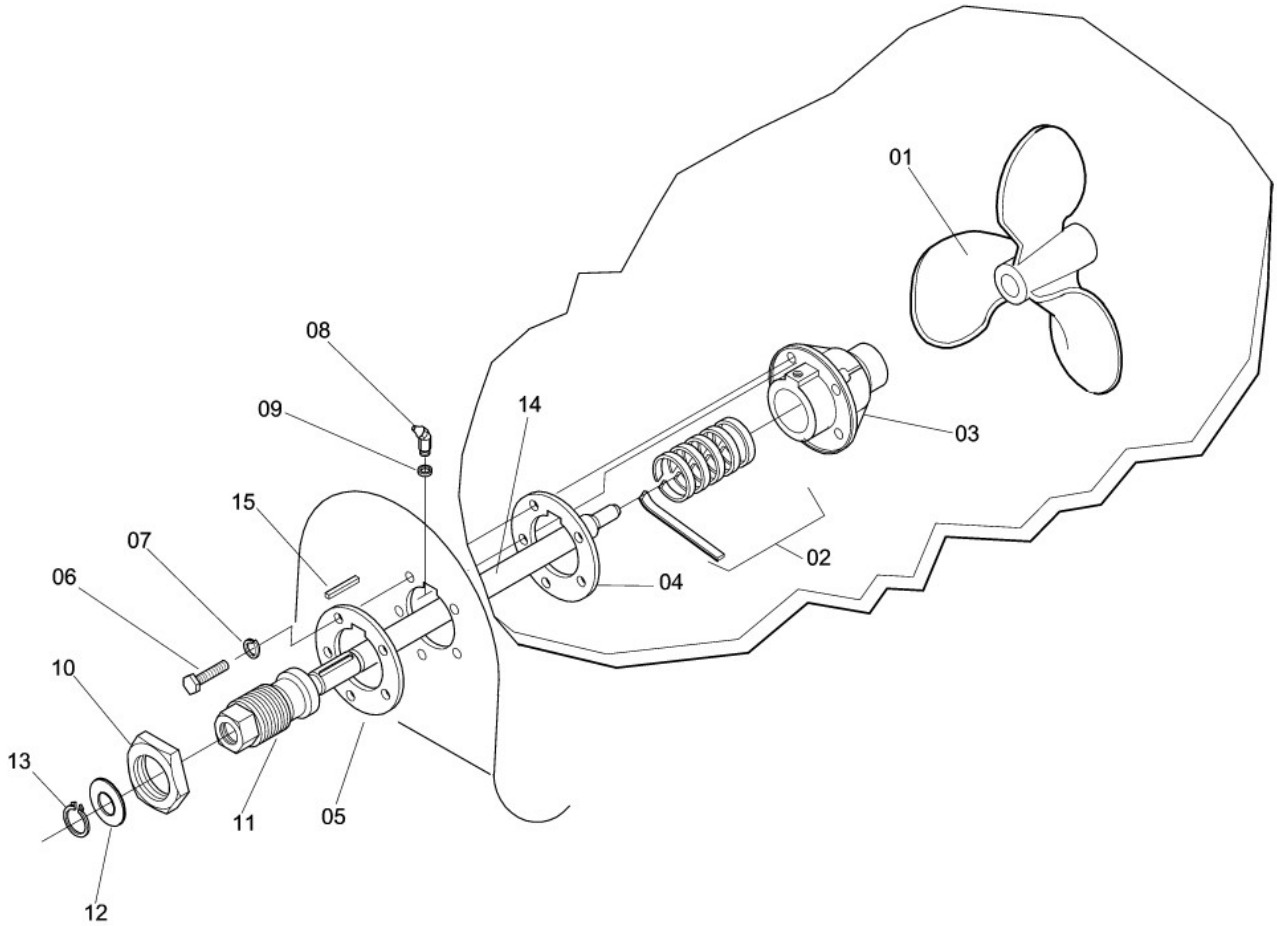
JACK NO. 10



MC-9

Item	CODE	DESCRIPTION	Qty.	Item	CODE	DESCRIPTION	Qty.
00	431064	Jack no. 10	1				
01	670323	Jack body	1				
02	670364	Sliding bar	1				
03	330019	Screw \varnothing 7/8" - 9 UNC x 360	1				
04	426544	Squarenut 7/8" - 9 UNC	1				
05	330084	Bearing	1				
06	330043	Bolt head	1				
07	910802	Flexible pin \varnothing 6 x 28	1				
08	331314	Jack handle	1				
09	910240	Cotter pin \varnothing 3.18 x 25.4	1				
10	910463	Grease nipple 1/4" - 28 UNF	1				
11	103978	Flexible pin 6 x 24	1				
12	315002	Flart washer 130 x 254 x 15	1				
13	622969	Double ring \varnothing 22 x 26 x 3	1				
14	431106	Lock pin	1				
15	429803	Seat ring	1				

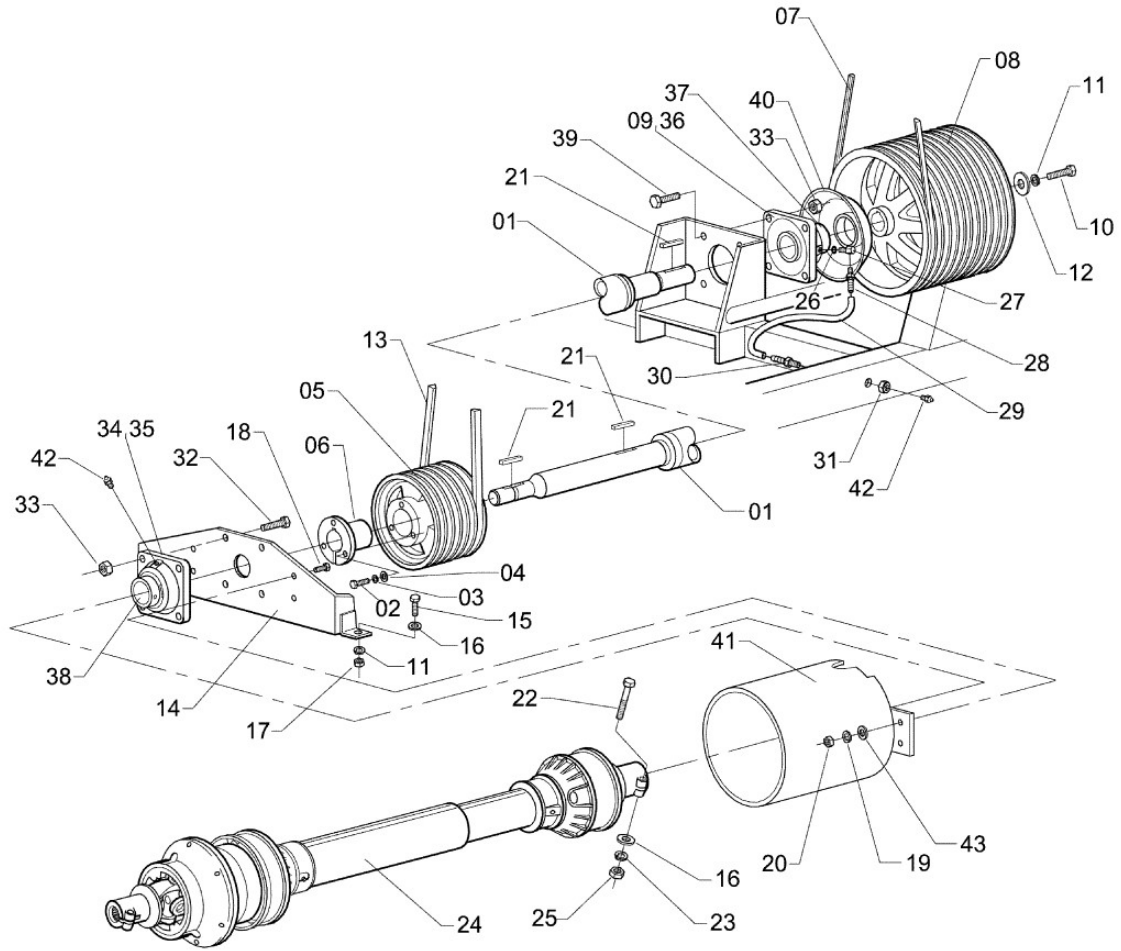
MECHANICAL AGITATOR



MM-1

Item	CODE	DESCRIPTION	Qty.	Item	CODE	DESCRIPTION	Qty.
00	213447	Mechanical agitator	1				
01	102848	Agitator propeller	1				
02	424325	Agitator gasket	1				
03	213470	Agitator body	1				
04	213488	Packing \varnothing 82 x 3.0	1				
05	213496	Agitator flange	1				
06	916700	Bolt 1/4" - 20 UNC x 1"	5				
07	910117	Lock washer \varnothing 1/4"	5				
08	111245	Grease nipple 1/4" x 28 UNF x 45	1				
09	731083	Ring \varnothing 6.45 x \varnothing 7.94 x 2	1				
10	213504	Nut \varnothing 1.1/2" - 12 UNF	1				
11	213520	Gasket tightener	1				
12	403808	Flat washer 194 x 320 x 15	1				
13	914747	Snap ring for shaft \varnothing 19	1				
14	213538	Shaft 257	1				
15	419416	Square key 3/16" x 38	1				

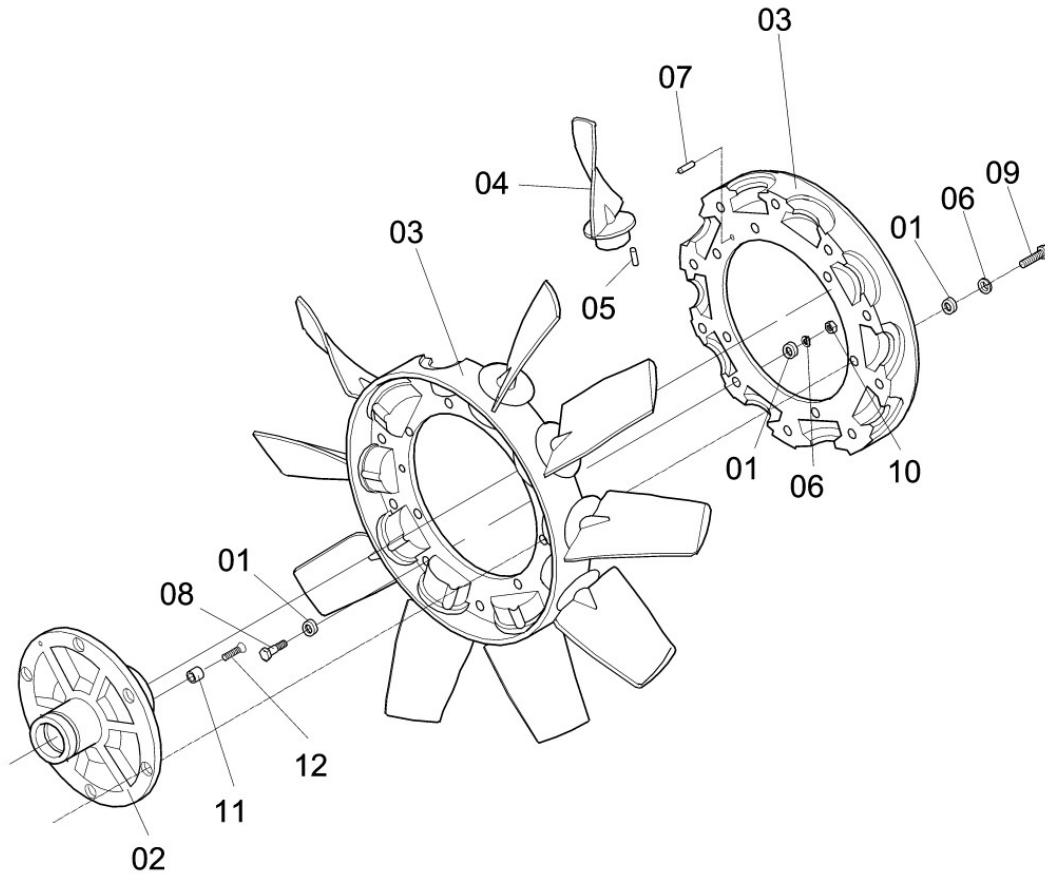
DRIVE TRANSMISSION AND COMPLEMENTS



TMT-49

Item	CODE	DESCRIPTION	Qty.	Item	CODE	DESCRIPTION	Qty.
00	243212	Drive transmission and complements	1	26	822650	Ring \varnothing 9.8 x \varnothing 12.7 x 2.0	2
01	725291	Shaft 2758	1	27	037630	Grease nipple \varnothing 1/8"	1
02	518753	Bolt 3/8" - 16 UNC x 1.1/4"	3	28	426205	Male fitting for hose \varnothing 1/4"	1
03	908566	Lock washer \varnothing 3/8"	3	29	426213	Hose 1/4" x 400	1
04	422436	Flat washer 104 x 254 x 19	3	30	426189	Grease nipple fitting	1
05	353946	Pulley \varnothing 200 - 6 - 3V	1	31	916627	Nut 7/16" - 14 UNC	1
06	725333	Pulley lock	1	32	108332	Hex. bolt 1/2" - 13 UNC x 1.1/4"	4
07	728105	Trapeze belt HY-T3V-0600	12	33	108787	Nut DODI-LOC \varnothing 1/2" - 13 UNC	8
08	551861	Pulley \varnothing 332-12-3V	1	34	825075	Flange-type bearing	1
09	969436	Flange-type bearing II	1	35	127357	Flange-type bearing assembly	1
10	820704	Hex. bolt \varnothing 1/2" - 20 UNF x 1"	1	36	019828	Flange-type bearing assembly	1
11	908582	Lock washer 1/2"	3	37	970798	Self-compensating bearing	1
12	703595	Flat washer 133 x 580 x 80	1	38	220194	Self-aligning bearing	1
13	768713	Trapeze belt	6	39	023853	Bolt \varnothing 1/2" - 13 UNC x 1.1/2"	4
14	728055	Flanged bearing base	1	40	037606	Protector	1
15	717322	Screw 1/2" - 13 UNC x 2"	2	41	240036	PTO shaft guard tube	1
16	818112	Flat washer 130 x 240 x 30	3	42	127142	Grease nipple \varnothing 1/8"	2
17	912790	Hex. nut 1/2" - 13 UNC	2	43	413468	Flat washer 68 x 190 x 12	4
18	441030	Bolt \varnothing 1/4" - 20 UNC x 5/8"	4	44	428631	Sticker: Pto shaft instructions	1
19	910117	Lock washer \varnothing 1/4"	4	45	515726	Sticker: Lubricate daily	1
20	912741	Nut \varnothing 1/4" - 20 UNC	4	46	728113	Sticker: Drawbar adjustment (Portugue)	1
21	521765	Square key 3/8" - 50	3	47	219709	Sticker: Drawbar adjustment (English)	1
22	626242	Bolt M-12 x 80 x 1.75	1	48	219717	Sticker: Drawbar adjustment (Spanish)	1
23	209163	Lock washer M12	1				
24	238113	CV PTO shaft assembly	1				
25	427013	Nut ABTN - 1020 thread M12 x 1,50	1				

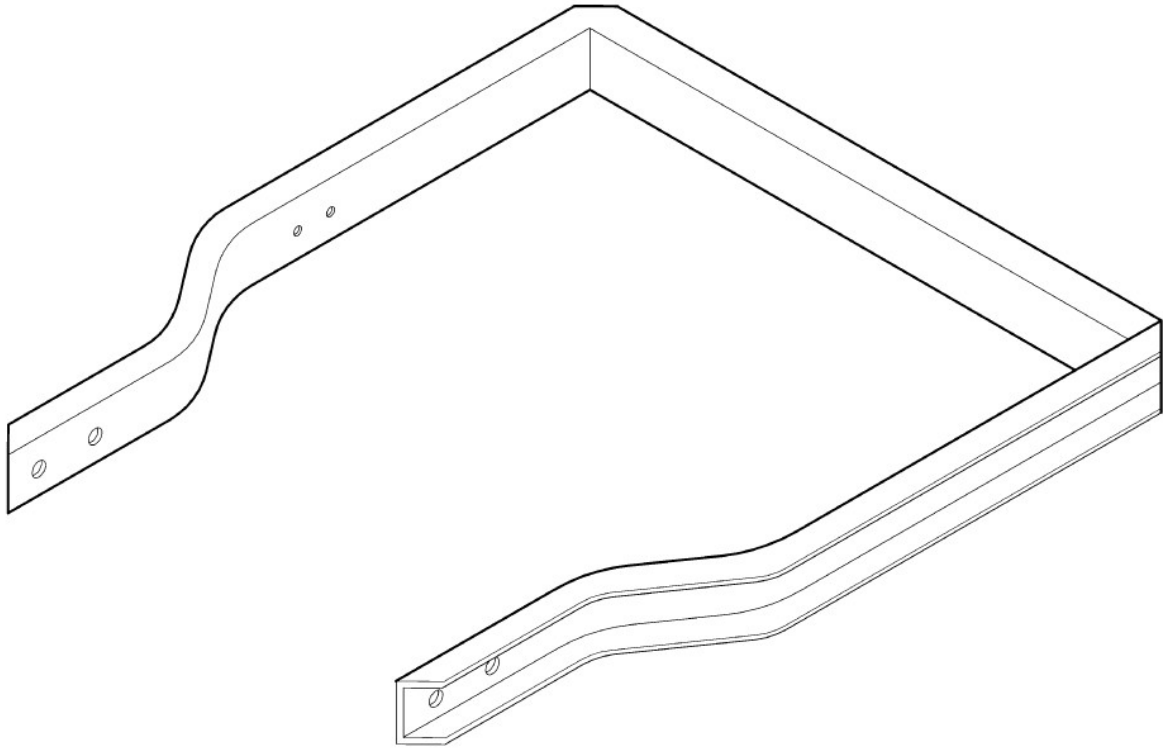
FAN ASSEMBLY



V-11

Item	CODE	DESCRIPTION	Qty.	Item	CODE	DESCRIPTION	Qty.
00	348995	Fan assembly	1				
01	013433	Flat washer	26				
02	018481	Flange hub	1				
03	018663	Blade fastening flange (outer)	2				
04	038661	Fan blade 850	10				
05	298182	Pin \varnothing 8.40 x 14	10				
06	519736	Lock washer M8	16				
07	625533	Flexible pin (heavy) 4 x 24	1				
08	721704	Hex. bolt 5/16" UNC 1.1/4"	6				
09	826693	Bolt \varnothing 5/16" x 1.1/2"	10				
10	912758	Hex. nut 5/16" - 18 UNC	10				
11	937607	Bushing \varnothing 17.6 x 16	8				
12	939140	Screw M6 x 16	8				

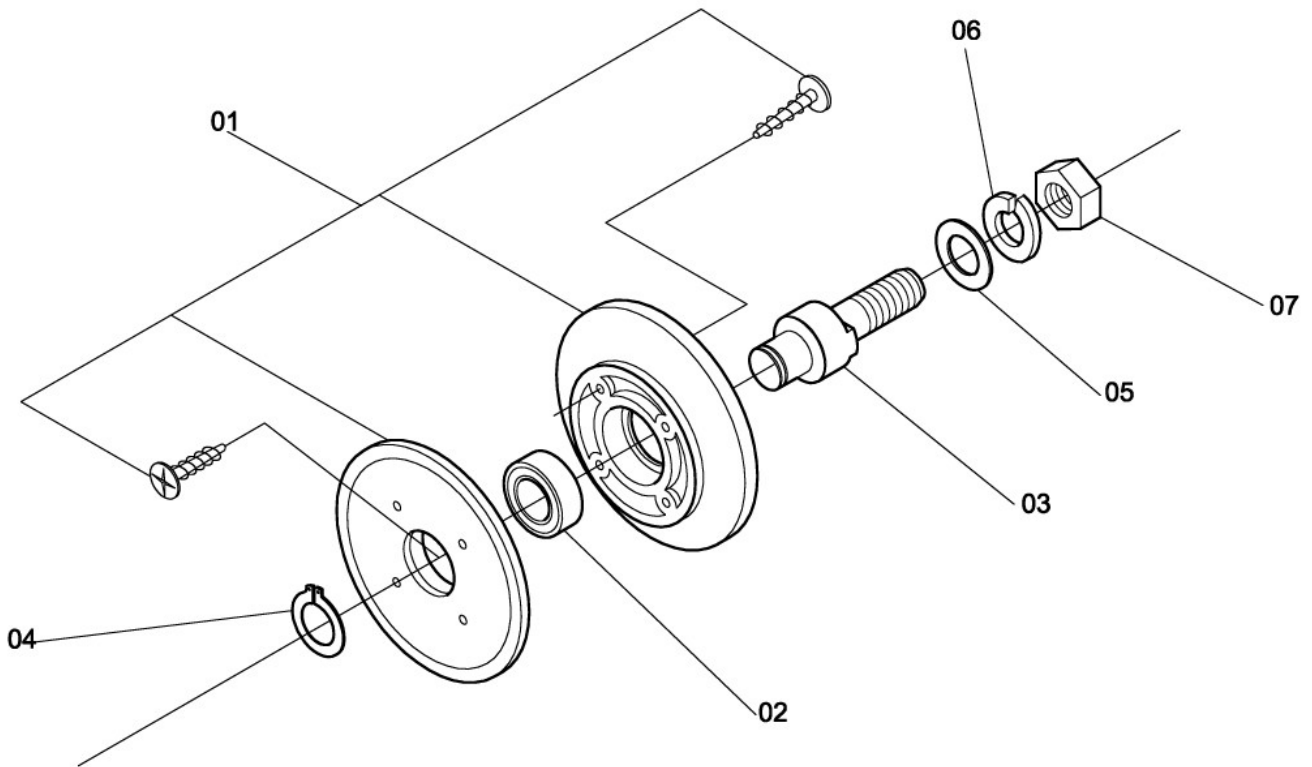
REAR BUMPER



C-105

Item	CODE	DESCRIPTION	Qty.	Item	CODE	DESCRIPTION	Qty.
00	325258	Rear bumper	1				

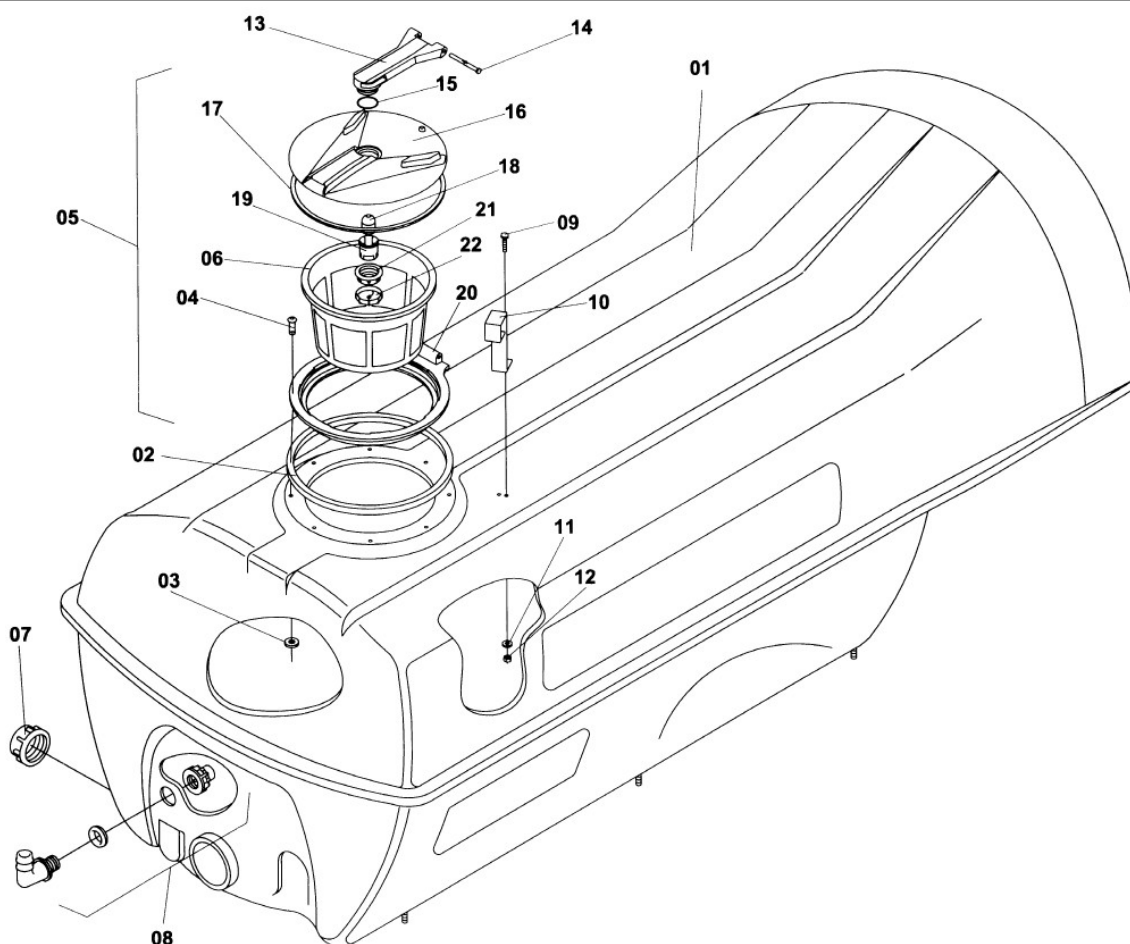
TIGHTENING PULLEY ASSEMBLY 78 X 1A (PE-78 I)



LE-7

Item	CODE	DESCRIPTION	Qty.	Item	CODE	DESCRIPTION	Qty.
00	645416	Tightening pulley assembly 78 x 1A (PE-78 I)	1				
01	660605	Split pulley and screws	1				
02	328781	Fixed bearing	1				
03	817627	Tightening pulley shaft 15 x 50.5	1				
04	910851	Snap ring for shaft 15	1				
05	418152	Flat washer 132 x 258 x 26.5	1				
06	908582	Lock washer 1/2"	1				
07	912790	Hex. nut 1/2" - 13 UNC	1				

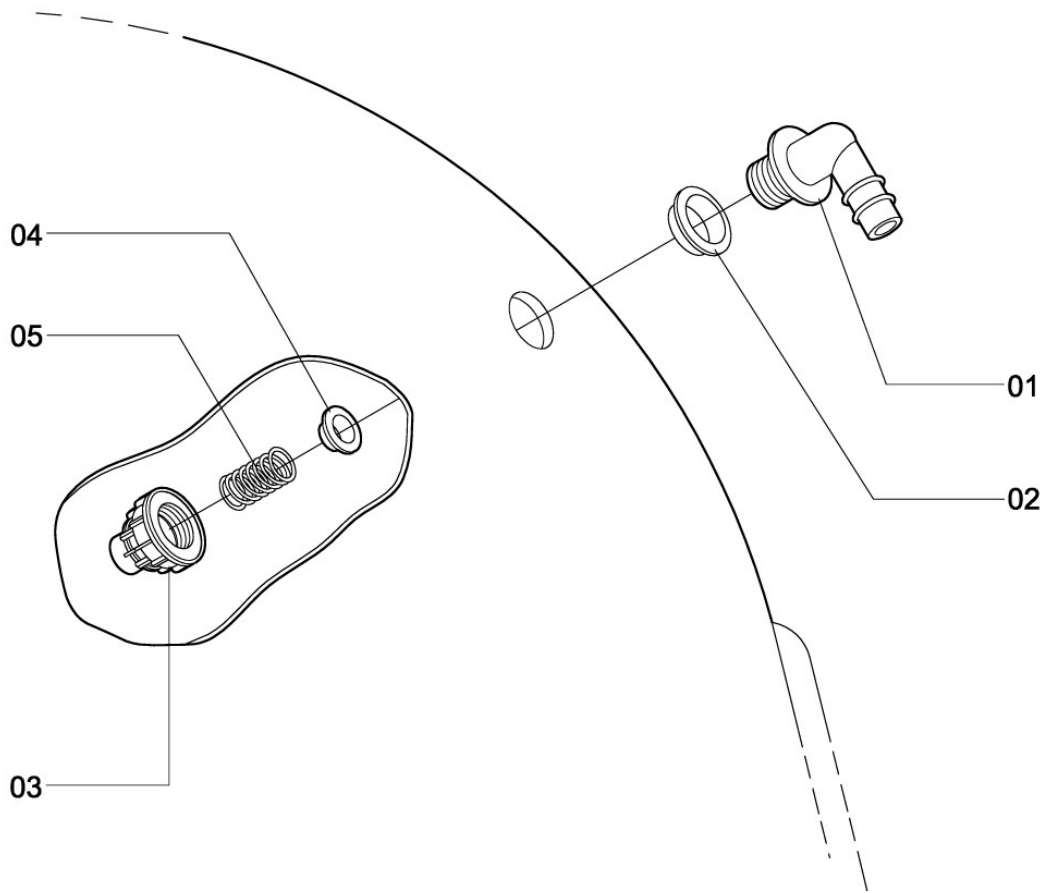
2000-LITER TANK ASSEMBLY



D-31

Item	CODE	DESCRIPTION	Qty.	Item	CODE	DESCRIPTION	Qty.
00	668327	2000-liter tank assembly	1		039446	Sticker: "Torque for nut 1/2" UNF" portuguese	1
01	668335	Spray tank 2027	1		130633	Sticker: "Chemicals" (English)	1
02	752931	Packing 5 x 15 x 1370	1		130641	Sticker: "Chemicals" (Spanish)	1
03	314799	Flat washer 52 x 160 x 12.4	8		220616	Sticker: "Torque for nut 1/2" UNF" english	1
04	442202	Rivet 4.8 x 17.2 - stainless steel	8		220624	Sticker: "Torque for nut 1/2" UNF" (Sp.)	1
05	752949	Spray tank lid assembly (includes: ref. 10 to 19)	1		360230	Sticker: protectors indication	1
06	349555	Strainer	1				
07	900761	Drain cap ø 67	1				
08	573626	Chemicals mixer nonreturn valve	1				
09	819631	Bolt ø 1/4" - 20 UNC x 1"	2				
10	547117	Filler unit support	1				
11	712554	Flat washer 68 x 160 x 12.4	2				
12	819292	Hex. nut 1/4" - 20 UNC (stainless steel)	2				
13	870204	Lid articulator	1				
14	870212	Articulation pin	1				
15	870220	Packing ring	1				
16	870238	Spray tank lid	1				
17	994863	Packing ring 367 x 6.99	1				
18	870253	Float	1				
19	870261	Breather assembly	1				
20	870279	Lid seat	1				
21	870287	Coupling nut	1				
22	870295	Deflector	1				
	039412	Sticker: direction for transport	1				
	039420	Sticker: "Chemicals" (Port.)	1				

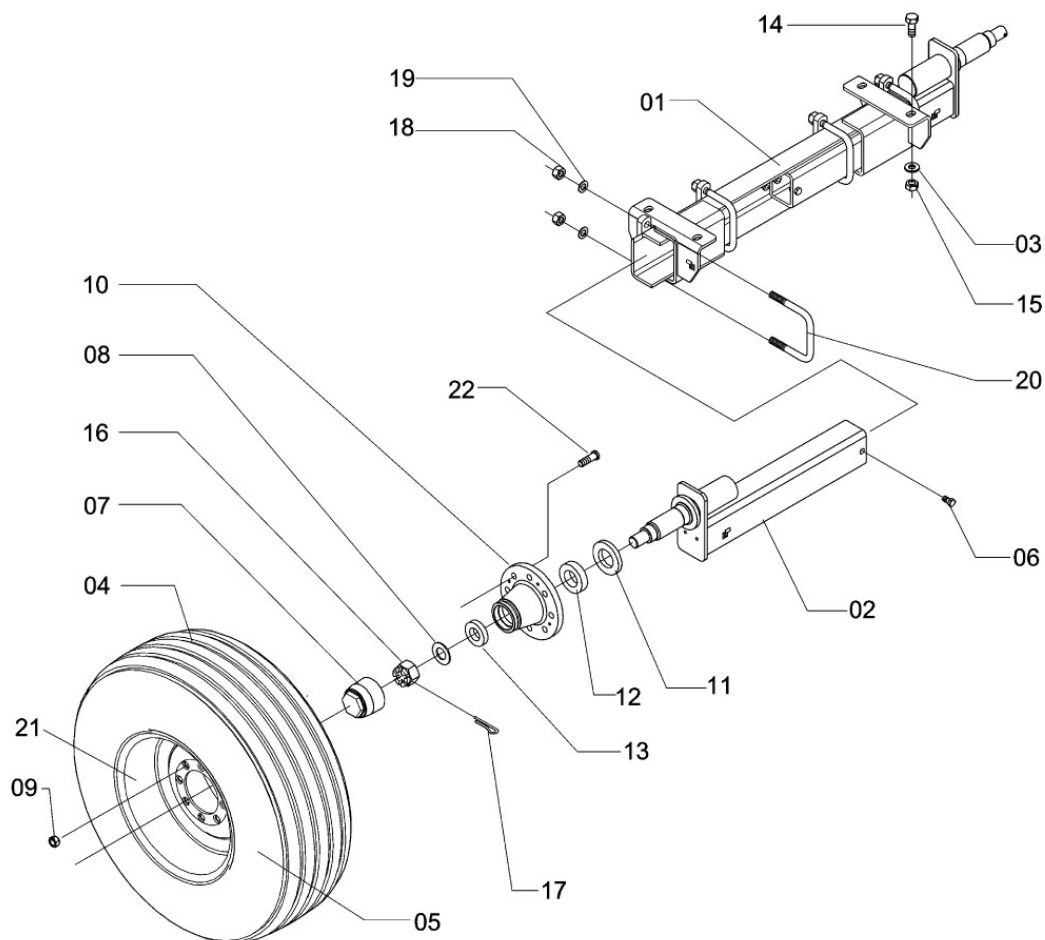
CHEMICALS MIXER NONRETURN VALVE



CV-99

Item	CODE	DESCRIPTION	Qty.	Item	CODE	DESCRIPTION	Qty.
00	573626	Chemicals mixer nonreturn valve	1				
01	573618	Elbow 1.1/4" BSP x 90°	1				
02	573634	Double seal	1				
03	573691	Valve base	1				
04	573683	Spring guide	1				
05	535831	Compression spring	1				

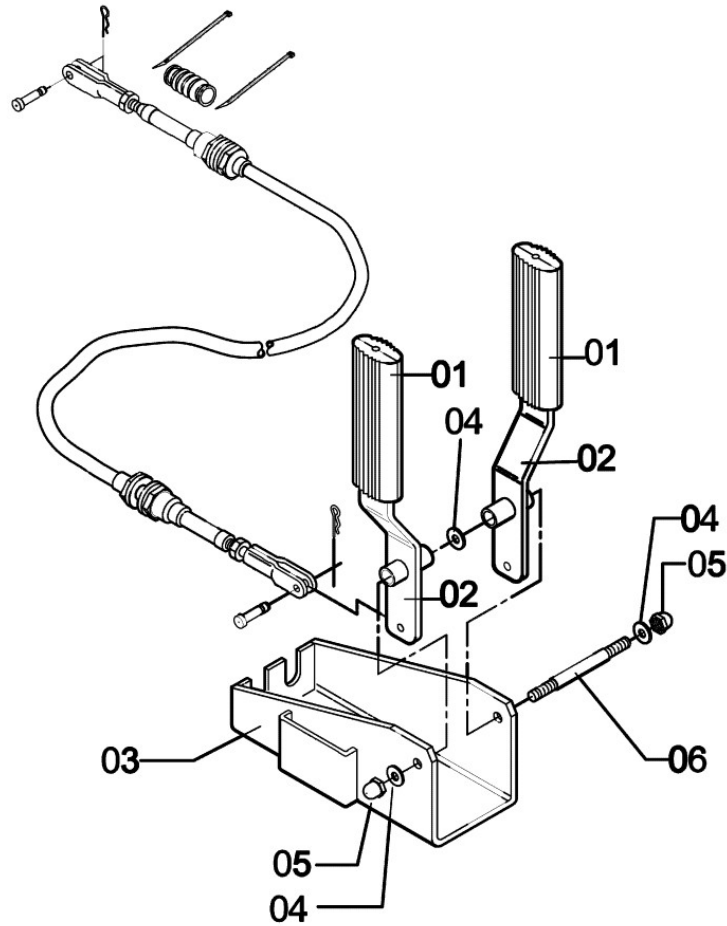
ADJUSTABLE AXLE N° 13



EX-31

Item	CODE	DESCRIPTION	Qty.	Item	CODE	DESCRIPTION	Qty.
00	997551	Adjustable axle n° 13	1				
01	997569	Axle fixed body	1				
02	997619	Axle moving end	2				
03	764142	Lock washer M16	4				
04	323402	Inner tube 11 L - 15	2				
05	429761	Tire 11L - 15 - 10 ply	2				
06	519728	Bolt M-10 x 20 x 1.50 - CL.5.8	2				
07	610188	Hub cap	2				
08	612259	Flat washer 320 x 590 x 30	2				
09	700377	Lug nut \varnothing 5/8" - 18 UNF	16				
10	715706	Wheel hub	2				
11	715789	Retainer 60 x 90.30 x 10	2				
12	715805	Cone bearing	2				
13	717173	Cone bearing	2				
14	823856	Bolt 5/8" - 18 UNF x 1.3/4"	4				
15	823864	Nut \varnothing 5/8" UNF	4				
16	831347	Castle nut M30 x 2"	2				
17	831354	Cotter pin \varnothing 6.30 x 50.8	2				
18	826297	Hex. nut M-16 x 2.00	8				
19	226746	Lock washer \varnothing 5/8"	8				
20	997882	U-clip	4				
21	998294	Rim 10 LB-15 with 8 holes	2				
22	715797	Bolt \varnothing 5/8" x 18 UNF x 5	16				

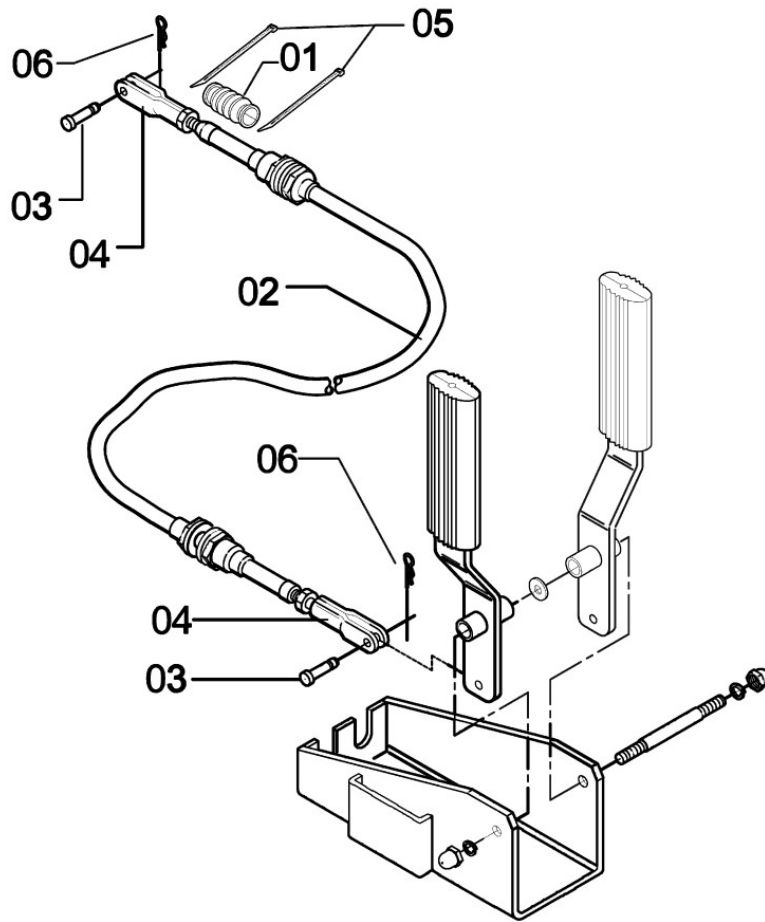
SPRAY CONTROL ACTUATOR



CV-120

Item	CODE	DESCRIPTION	Qty.	Item	CODE	DESCRIPTION	Qty.
00	431692	Spray control actuator	1				
01	002683	Handrip	2				
02	356741	Lever	2				
03	431700	Lever support	1				
04	013433	Flat washer	3				
05	945832	Box nut M8 x 1,0	2				
06	947762	Stud bolt	1				

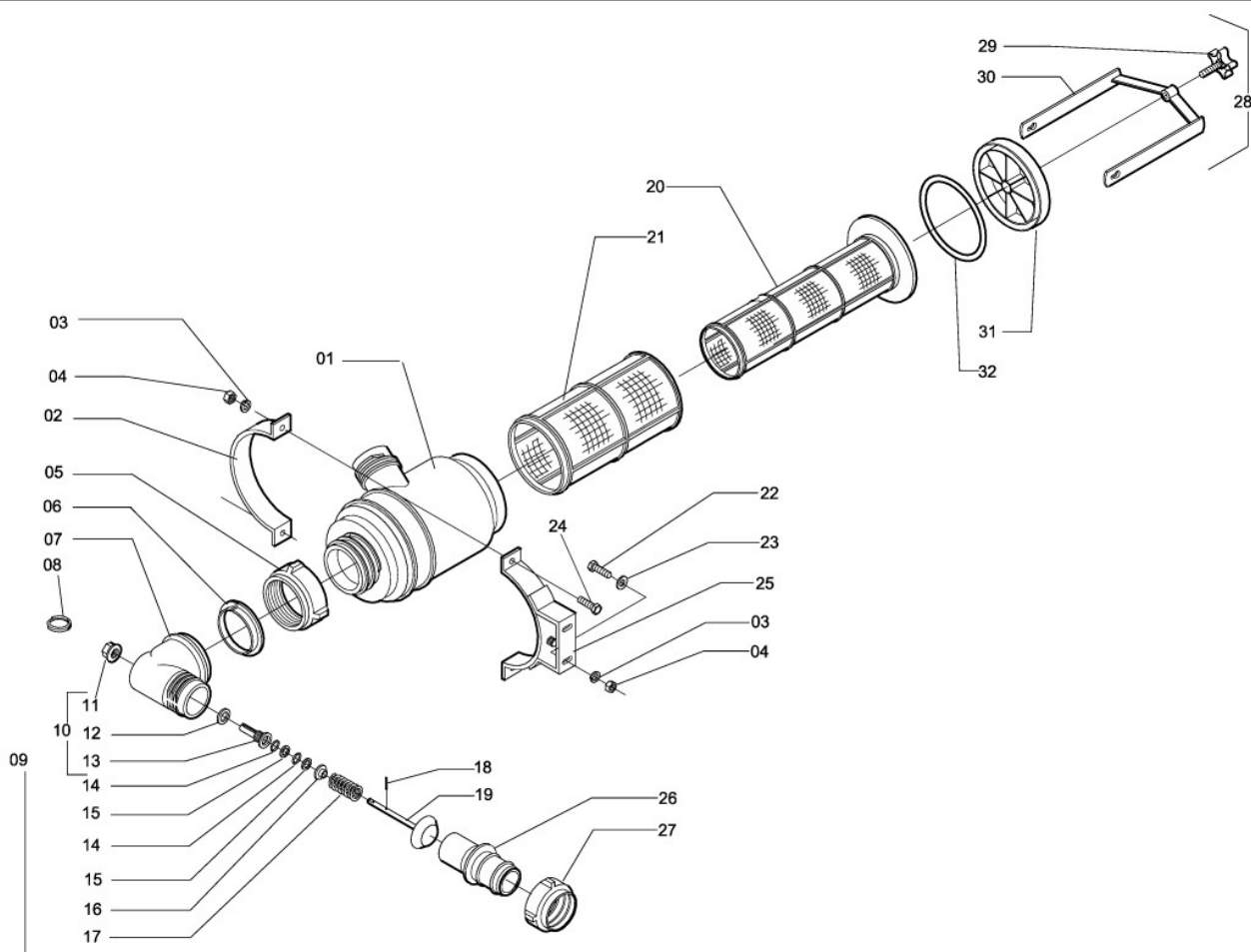
FLEXIBLE CABLE WITH COUPLING END



CV-121

Item	CODE	DESCRIPTION	Qty.	Item	CODE	DESCRIPTION	Qty.
00	877381	Flexible cable with coupling end	1				
01	058164	Bellows protector	1				
02	877373	Control flexible handgrip	1				
03	431510	Joint pin	2				
04	458323	Coupling end 53.5	2				
05	825406	Hose tie T 018 R	2				
06	942904	Lock cotter pin \varnothing 2.1 x 84.5	2				

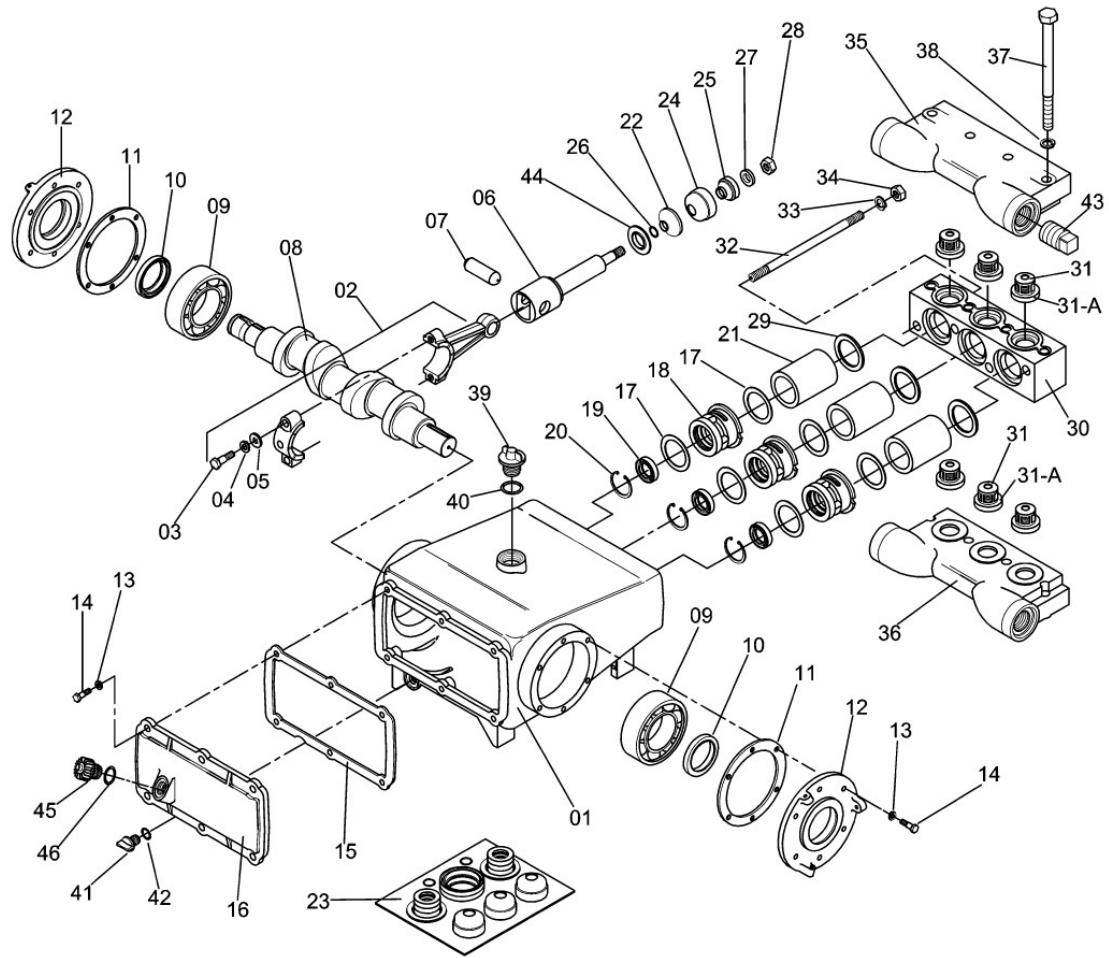
SUCTION FILTER FVS-200



F-2

Item	CODE	DESCRIPTION	Qty.	Item	CODE	DESCRIPTION	Qty.
00	941344	Suction Filter FVS-200	1	26	534412	Hose fitting \varnothing 2"	1
01	941336	Suction filter body	1	27	005900	Coupling nut	1
02	817379	Half-strap	1	28	834069	Handle assembly	1
03	908566	Lock washer \varnothing 3/8"	2	29	011734	Knobbed screw	1
04	912774	Hex. nut 3/8" - 16 UNC	2	30	817403	Handle	1
05	534453	Union nut	1	31	817395	Cover with seat	1
06	534545	Lock ring	1	32	726695	Packing ring	1
07	534420	Valve body	1		515734	Sticker: "Clean filter..."	1
08	012146	Key ring \varnothing 40	1				
09	834051	Valve assembly	1				
10	834044	Valve guide	1				
11	537423	Nut \varnothing 1/2" BSP	1				
12	010827	Packing ring \varnothing 29 x 22 x 3	1				
13	615021	Valve guide	1				
14	416669	O-ring OR1-110	2				
15	005975	Spacer washer	2				
16	005967	Spring seat	1				
17	006148	Compression spring	1				
18	105288	Flexible pin \varnothing 4 x 20 (heavy)	1				
19	534438	Valve	1				
20	817353	Triple filtering element 820 with flange	1				
21	817346	Double filtering element	1				
22	663161	Bolt 3/8" - 16 UNC x 7/8"	2				
23	422436	Flat washer 104 x 254 x 19	2				
24	912709	Bolt \varnothing 3/8" - 16 UNC x 1"	2				
25	732115	Half-strap with bracket	1				

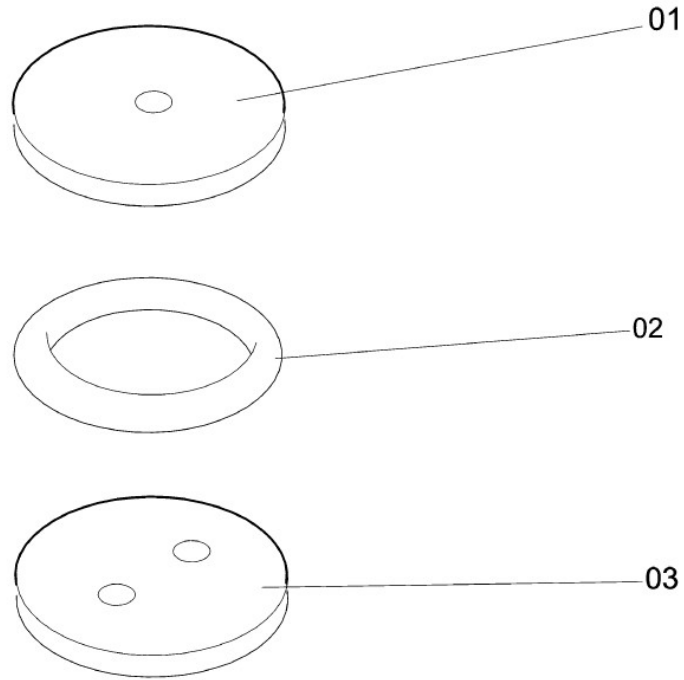
SPRAY PUMP JP-150



B-5

Item	CODE	DESCRIPTION	Qty.	Item	CODE	DESCRIPTION	Qty.
00	323121	Spray pump JP-150	1	26	120071	O-ring ORI - 015	3
01	322669	Pump body	1	27	325076	Flat washer 132 x 258 x 30.4	3
02	038778	Connecting rod assembly	3	28	324178	Nut \varnothing 1/4" - 20 UNF	3
03	917492	Hex. bolt \varnothing 3/8" - 16 UNC x 2"	6	29	322875	Seal washer	3
04	908566	Lock washer \varnothing 3/8"	6	30	322735	Pump head	1
05	624130	Flat washer 100 x 180 x 12	6	31	079319	Valve	6
06	322933	Guide with rode	3	31A	323014	Packing ring \varnothing 47 x 35,5 x 9	6
07	322909	Connecting rod shaft	3	32	322891	Stud bolt \varnothing 5/8" - 11 UNC x 240 - stainless steel	4
08	240838	Crankshaft	1	33	764142	Lock washer M16	4
09	325506	Bearing 6310	2	34	916734	Hex. nut 5/8" - 11 UNC	4
10	323170	Retainer 01920	2	35	044487	Valves cover	1
11	322883	Packing 110 x 145 x 0.4	2	36	536342	Valves cover	1
12	322610	Bearing flange	2	37	429258	Screw \varnothing 1/2" - 13 UNC x 3" - stainless steel	1
13	519736	Lock washer M8	18	38	908582	Lock washer 1/2"	8
14	913608	Hex. head bolt 5/16" - 18 UNC x 3/4"	18	39	328542	Plug \varnothing 3/4" BSP	1
15	322834	Packing 132 x 262 x 1.59	1	40	012724	O-ring ORI-119	1
16	322776	Pump cover	1	41	520775	Drain plug 1/4" BSP	1
17	322867	Packing	6	42	325290	O-ring OR1-112	1
18	322826	Sleeve guide	3	43	427948	Plug \varnothing 1.1/2" BSP	2
19	323188	Retainer 72	3	44	322842	Scraper ring	3
20	916775	Snap ring for hole \varnothing 40	3	45	213736	Plug 1/2" BSP	1
21	322925	Sleeve (alumina)	3	46	210146	O-ring OR1-117	1
22	323147	Piston cup base	3				
23	427930	Repair kit	1				
24	323139	Piston cup	3				
25	323154	Piston	3				

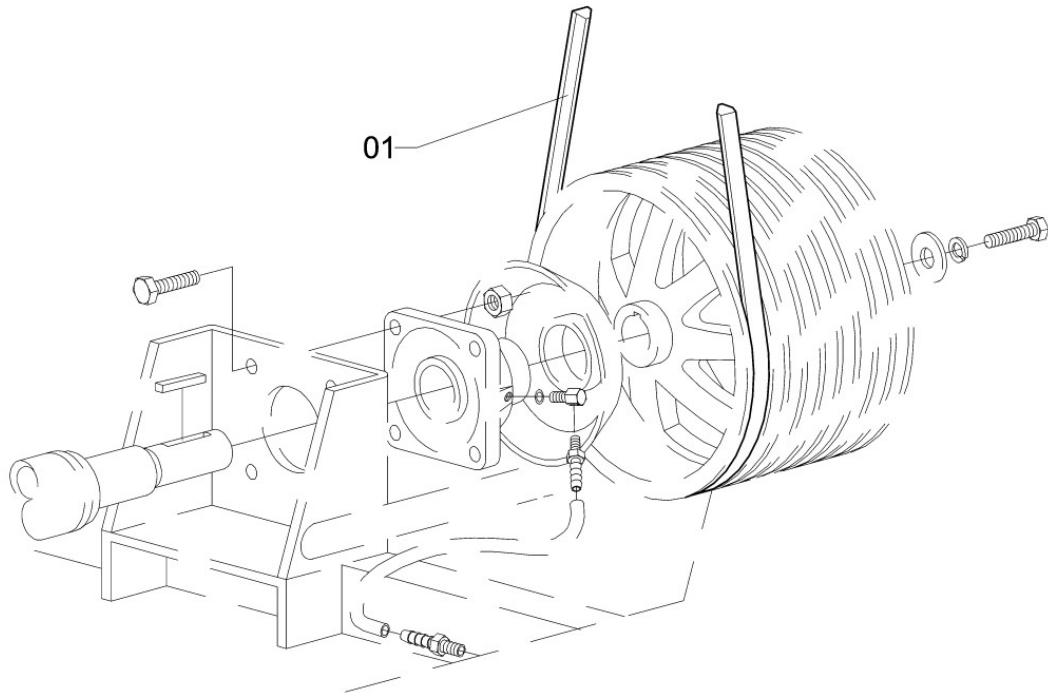
CONE NOZZLE J4-2



BC-23

Item	CODE	DESCRIPTION	Qty.	Item	CODE	DESCRIPTION	Qty.
00	325423	Cone nozzle J4-2	1				
01	325332	Disk J-4	1				
02	642462	Spacer ring	1				
03	325373	Swirl core J-2	1				

TRAPEZE BELT HY-T3V-0600

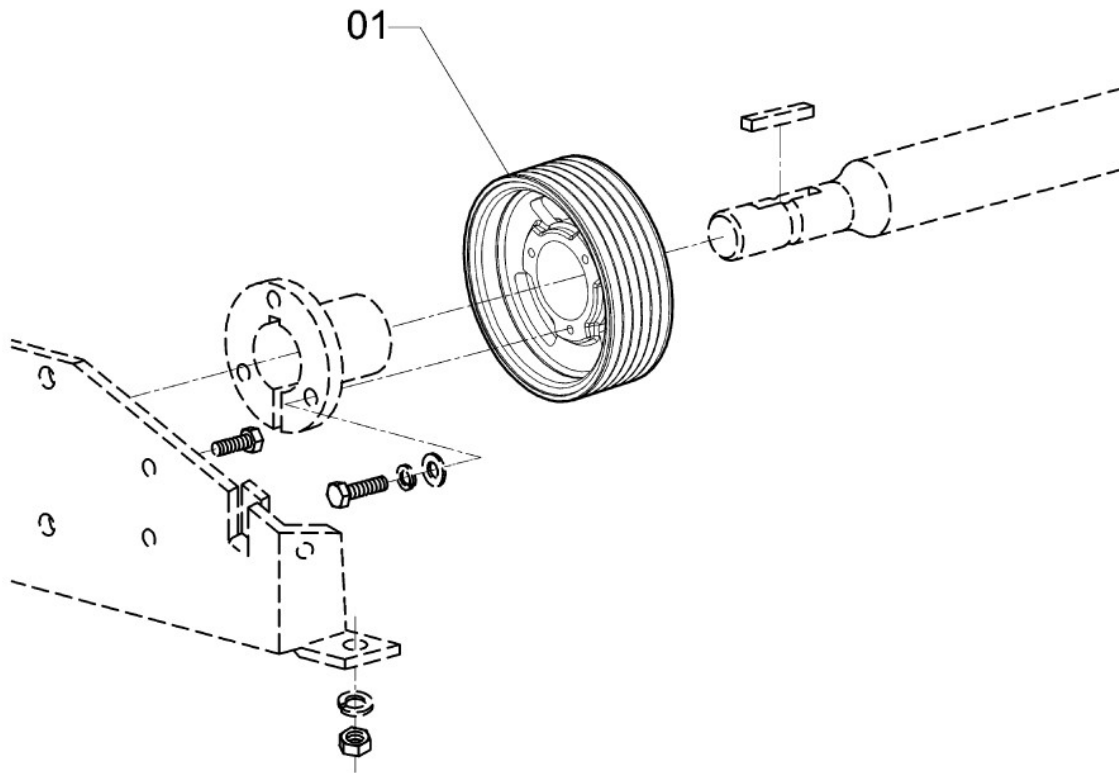


TMT-98

Item	CODE	DESCRIPTION	Qty.
00	728105	Trapeze belt HY-T3V-0600	1
01	728105	Trapezoidal belt HY-T 3V-0600	9

Item	CODE	DESCRIPTION	Qty.

PULLEY Ø 200 - 6 - 3V

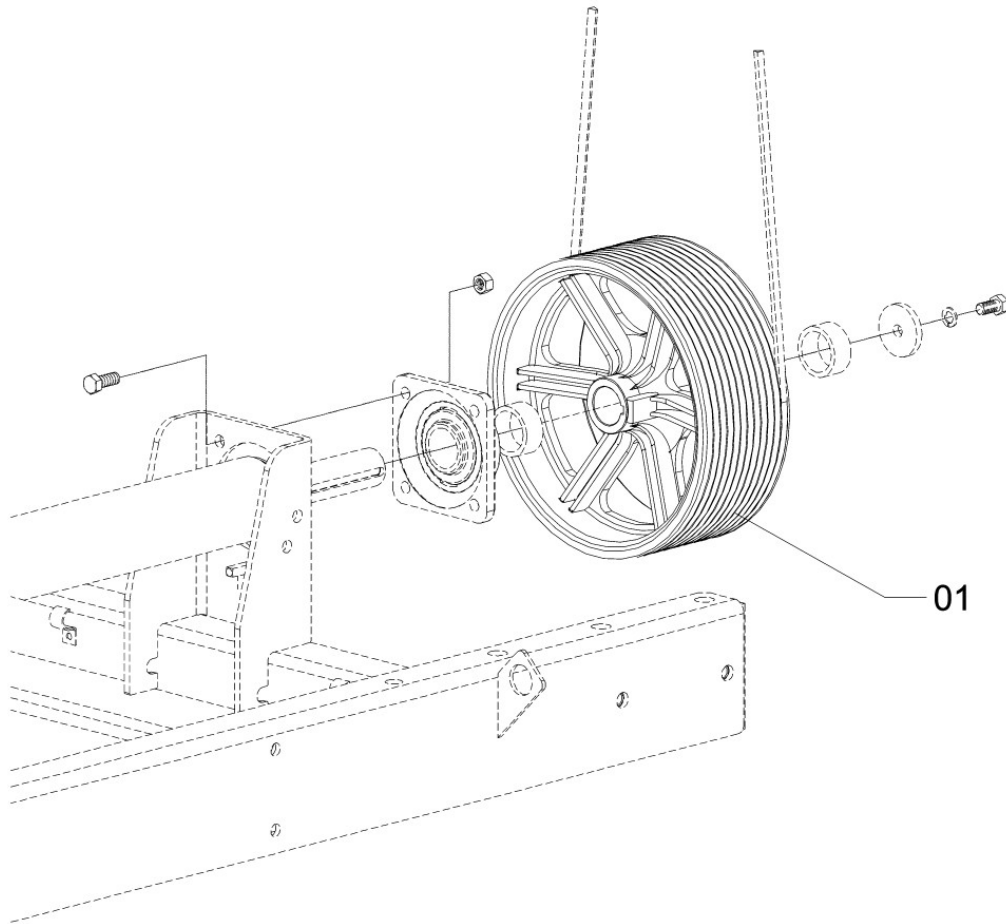


TMT-71

Item	CODE	DESCRIPTION	Qty.
00	353946	Pulley ø 200 - 6 - 3V	1
01	353946	Pulley ø 200 - 6 - 3V	1

Item	CODE	DESCRIPTION	Qty.

PULLEY Ø 332-12-3V

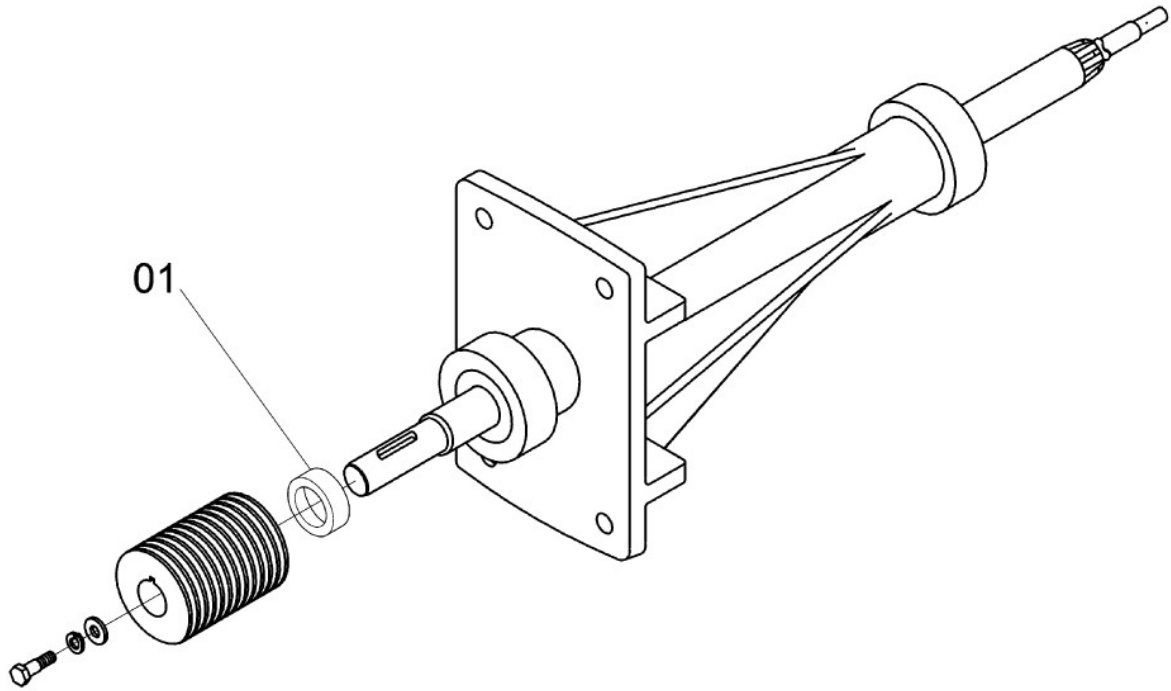


TMT-99

Item	CODE	DESCRIPTION	Qty.
00	551861	Pulley ø 332-12-3V	1
01	551861	Pulley ø 332-12-3V	

Item	CODE	DESCRIPTION	Qty.

SPACER 15

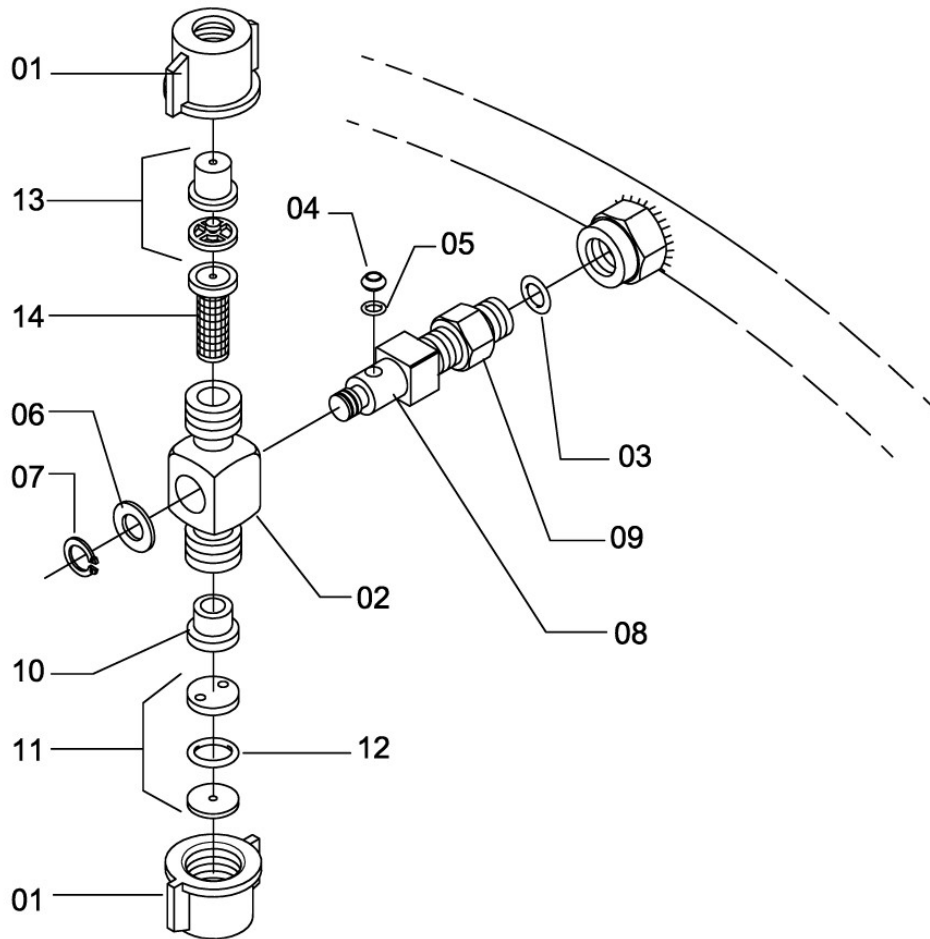


TMV-28

Item	CODE	DESCRIPTION	Qty.
00	728576	Spacer 15	1
01	728576	Spacer 15	1

Item	CODE	DESCRIPTION	Qty.

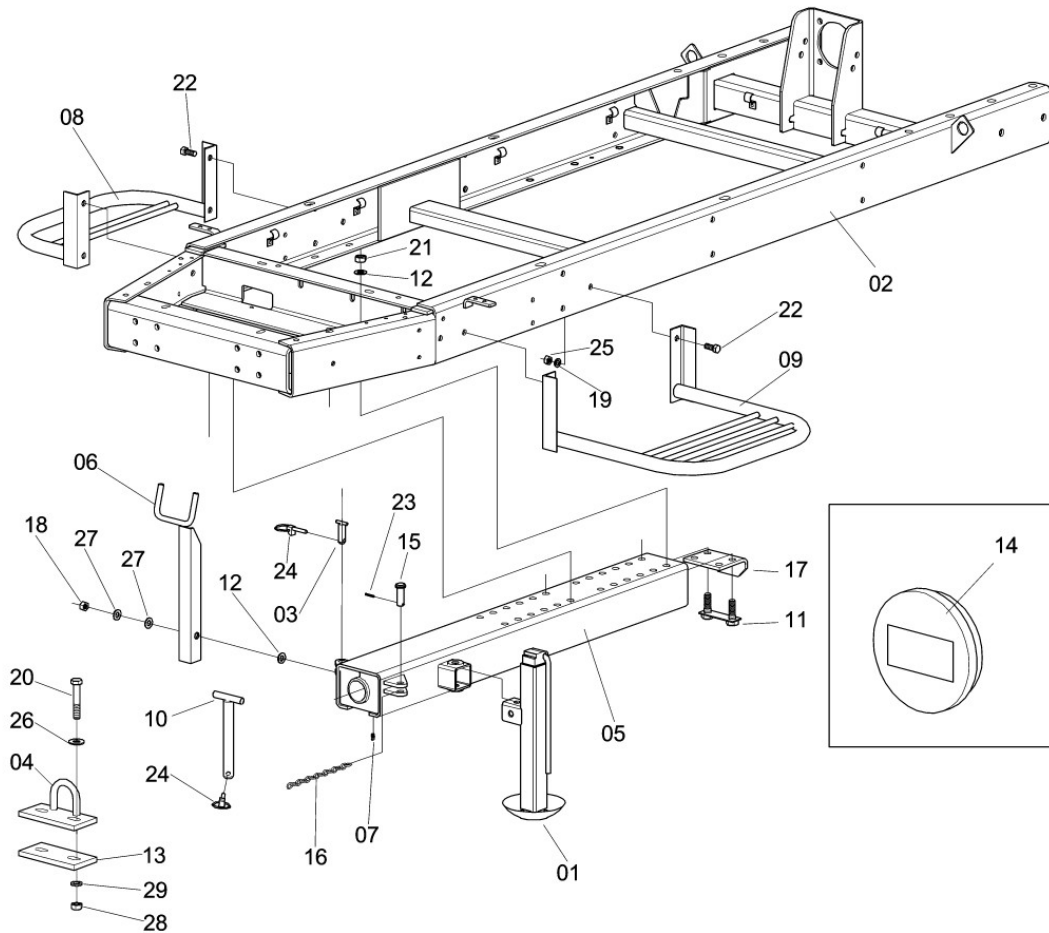
NOZZLE HOLDER



BC-7

Item	CODE	DESCRIPTION	Qty.	Item	CODE	DESCRIPTION	Qty.
00	340802	Double nozzle holder	1				
01	710590	Nozzle cap	2				
02	340810	Double nozzle holder	1				
03	120097	O-ring ORI - 013	1				
04	340828	Seal	1				
05	340851	O-ring OR2 - 201	1				
06	340836	Wavy washer	1				
07	340844	Snap ring for shaft ø 10	1				
08	454991	Nozzle holder support 51.5	1				
09	441154	Nut ø 1/4" BSP - 18 F.P.P.	1				
10	330928	Nozzle seat	1				
11	325423	Cone nozzle J4-2	1				
11A	819607	Cone nozzle J4-3	1				
11B	325431	Cone nozzle J5-2	1				
11C	325449	Cone nozzle J6-2	1				
11D	327486	Cone nozzle J5-3	1				
11E	327494	Cone nozzle J6-3	1				
12	913335	Packing ring	1				
13	109744	Cone nozzle JA-1 (dark blue)	1				
13A	454256	Cone nozzle JA-1.5	1				
13B	000026	Cone nozzle JA-2 (black)	1				
13C	454264	Cone nozzle JA-3 (orange)	1				
13D	454272	Cone nozzle JA-4 (red)	1				
13E	454280	Cone nozzle JA-5 (green)	1				
14	439083	Nozzle filter (50 mesh)	1				
14A	440156	Nozzle filter (80 mesh)	1				

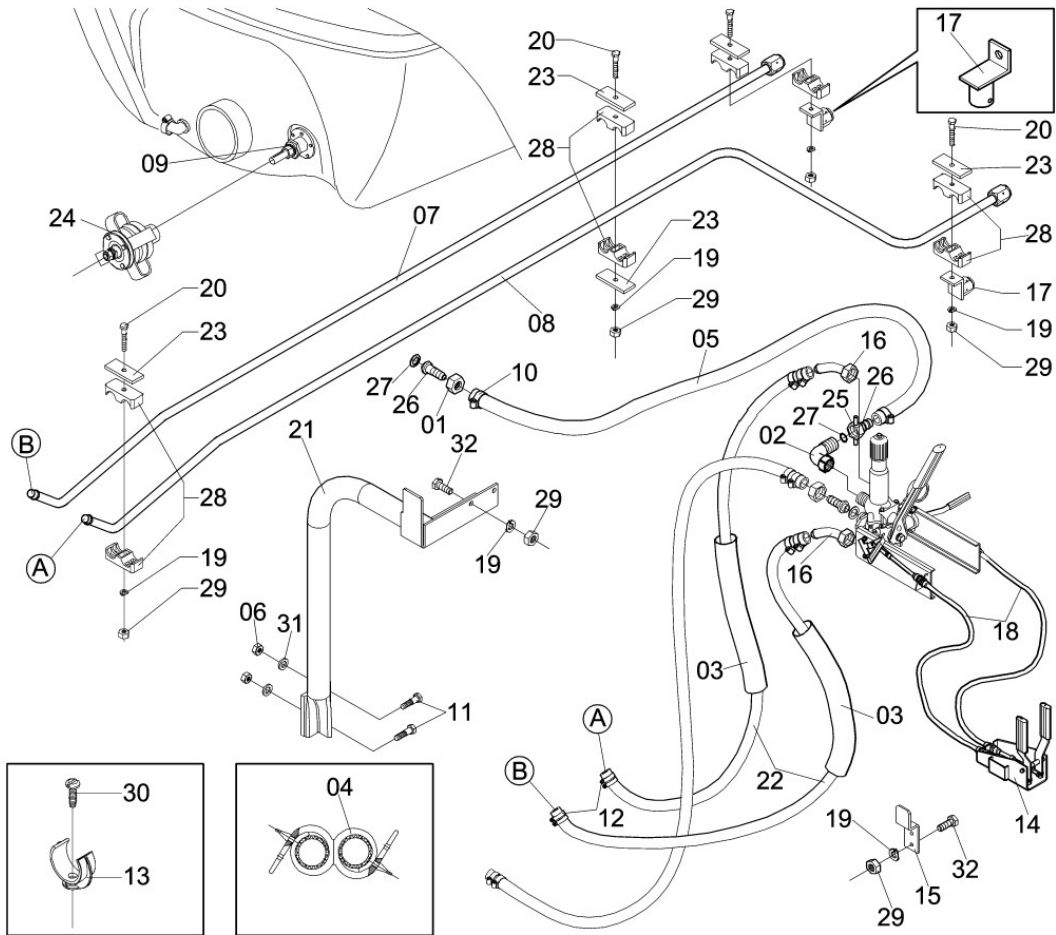
TRAILER ASSEMBLY



C-88

Item	CODE	DESCRIPTION	Qty.	Item	CODE	DESCRIPTION	Qty.
00	288563	Trailer assembly	1	26	881300	Flat washer 170 x 380 x 3.0	4
01	431064	Jack no. 10	1	27	715979	Flat spring	2
02	076109	Chassi	1	28	742015	Nut M16 x 1.50	2
03	118190	Chain fastening pin	1	29	764142	Lock washer M16	2
04	118208	Chain holder	1				
05	233833	Trailer tongue	1				
06	556704	PTO shaft support	1				
07	910463	Grease nipple 1/4" - 28 UNF	1				
08	724344	Filter guard rail	1				
09	749127	Platform	1				
10	824003	Tee pin	1				
11	926170	Hitch setting plate	4				
12	881243	Flat washer 170 x 300 x 19	9				
13	819680	Chain holder clip plate	1				
14	097360	Reflector	2				
15	104836	Cylinder shaft	1				
16	118216	Chain 2200	1				
17	137299	Fastening plate	2				
18	202663	Hex. nut 1/2" - 13 UNC	1				
19	209163	Lock washer M12	4				
20	764225	Screw M16 x 90 x 2.00	2				
21	228957	Nut ø 5/8" - 18 UNF	8				
22	280925	Hex. head bolt M12 x 35 x 1,50	4				
23	330076	Flexible pin ø 4 x 16 (heavy)	1				
24	330407	Universal lock pin 5/16"	2				
25	427013	Nut ABTN - 1020 thread M12 x 1,50	4				

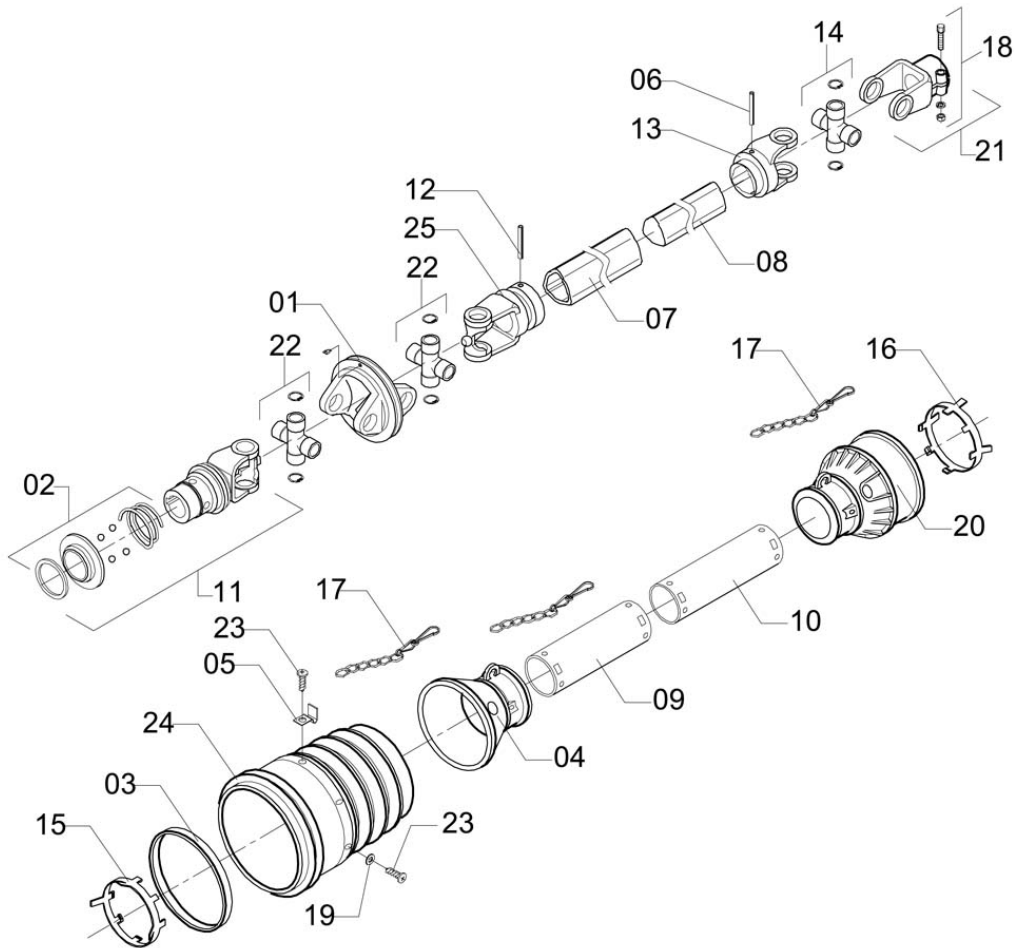
CHEMICAL CIRCUIT



CD-425

Item	CODE	DESCRIPTION	Qty.	Item	CODE	DESCRIPTION	Qty.
00	390278	Chemical circuit	1	26	731513	Hose fitting $\varnothing 31,8 (1.1/4") \times \varnothing 33$	2
01	005884	Nut 1.1/4" BSP	1	27	731521	O-ring OR1 - 124	2
02	116822	Male/female elbow $\varnothing 1.1/4" \times 90$	1	28	732040	Semiclamp for tube 19	8
03	081950	Protective hose $\varnothing 1.1/2" \times 350$	2	29	810770	Hex. nut M-8 x 1.25	8
04	086546	Hose Spacer	2	30	811042	Screw M-5 x 12 x 0.8	1
05	167528	Hose $\varnothing 1.1/4"$	1	31	818112	Flat washer 130 x 240 x 30	2
06	173245	Hex. nut parlock M12 x 1.25	2	32	829382	Hex head bolt M8 x 25 x 1.25	4
07	176958	Chemical Tube - Right	1				
08	176966	Chemical Tube - Left	1				
09	543348	Mechanical agitator 2005 - 02					
10	330969	Clamp D25-38 - stainless steel	2				
11	383802	Hex. bolt M12 x 40 x 1,50	2				
12	423814	Clamp D22-32 - stainless steel	8				
13	958587	Hose support	1				
14	431692	Spray control actuator	1				
15	431718	Operating holder	1				
16	434407	Curve fitting 35°	2				
17	457291	Support	2				
18	877381	Flexible cable with coupling end	2				
19	519736	Lock washer M8	8				
20	520726	Hex head bolt M8 x 60 x 1.25	4				
21	556522	Control support	1				
22	559260	Hose MBP-12 $\varnothing 3/4" \times 960$	2				
23	618405	Semiclamp plate 25 x 17	5				
24	727925	Flexible coupling 9	1				
25	731497	Nut 1.1/4" - 11 BSP	1				

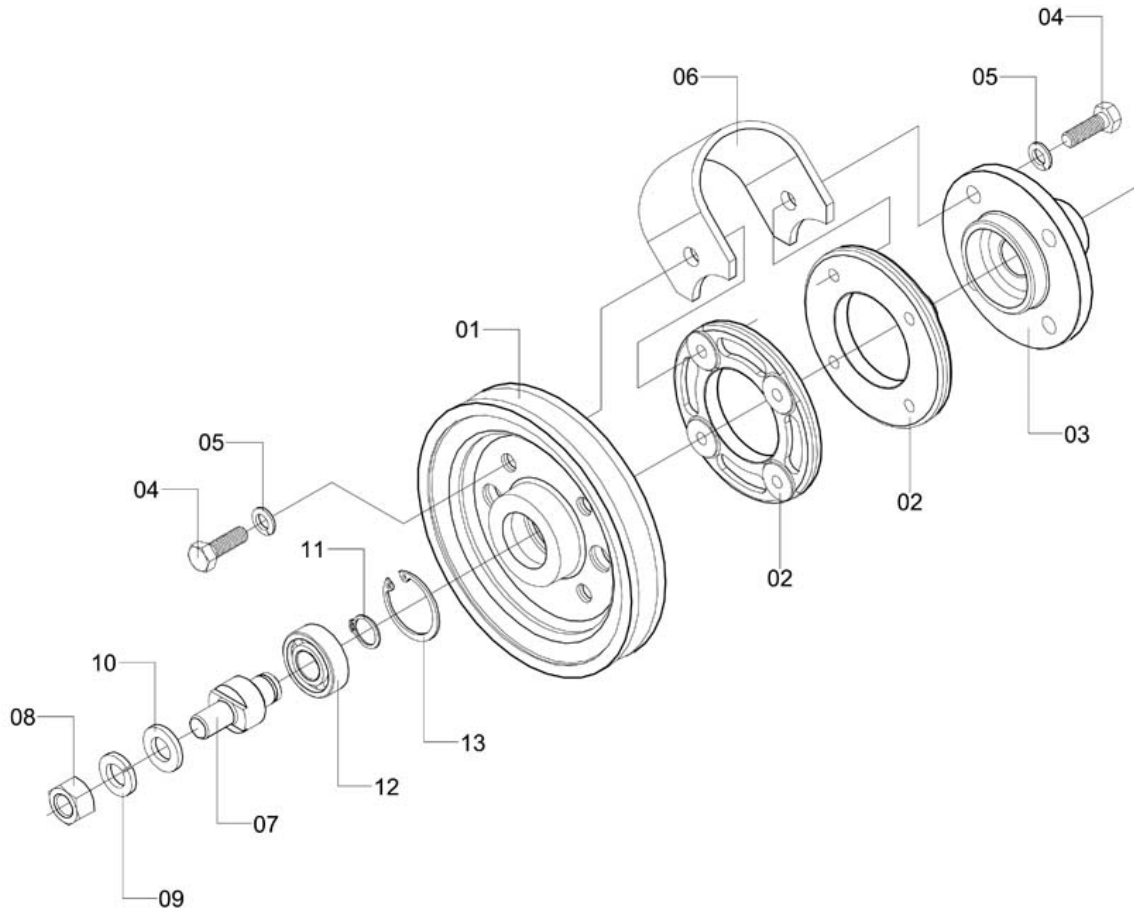
PTO SHAFT 710 (Z=6 X Ø 35)



CN-27

Item	CODE	DESCRIPTION	Qty.	Item	CODE	DESCRIPTION	Qty.
00	238113	PTO shaft 710 (z=6 X Ø 35)	1				
01	008839	Central body	1				
02	585414	PTO end blocking kit - 6 grooves	1				
03	169292	Cross guard lock	1				
04	169326	Intermediate guard (tractor end)	1				
05	169334	PTO shaft chain hook	1				
06	227173	Flexible pin ø10 x 65	1				
07	640730	Female tube	1				
08	640748	Male tube	1				
09	640755	Shield (female tube)	1				
10	640763	Shield (male tube)	1				
11	399550	Coupling end - PTO end (1.3/8"Z=6)	1				
12	456970	Flexible pin	1				
13	457010	Male tube coupling end	1				
14	457028	Cross	1				
15	457069	Shield lock	1				
16	457119	Shield lock	1				
17	457127	Chain	3				
18	457192	Bolt and nut	1				
19	501692	Flat washer 52 x 120 x 12	5				
20	572321	Cross shield (sprayer end)	1				
21	640623	Coupling end (sprayer end)	1				
22	681676	Cross assembly	2				
23	856229	Self-tapping bolt with slot PH. 4.8 x 22	6				
24	876789	Central body guard - tractor end	1				
25	876797	Female tube end	1				

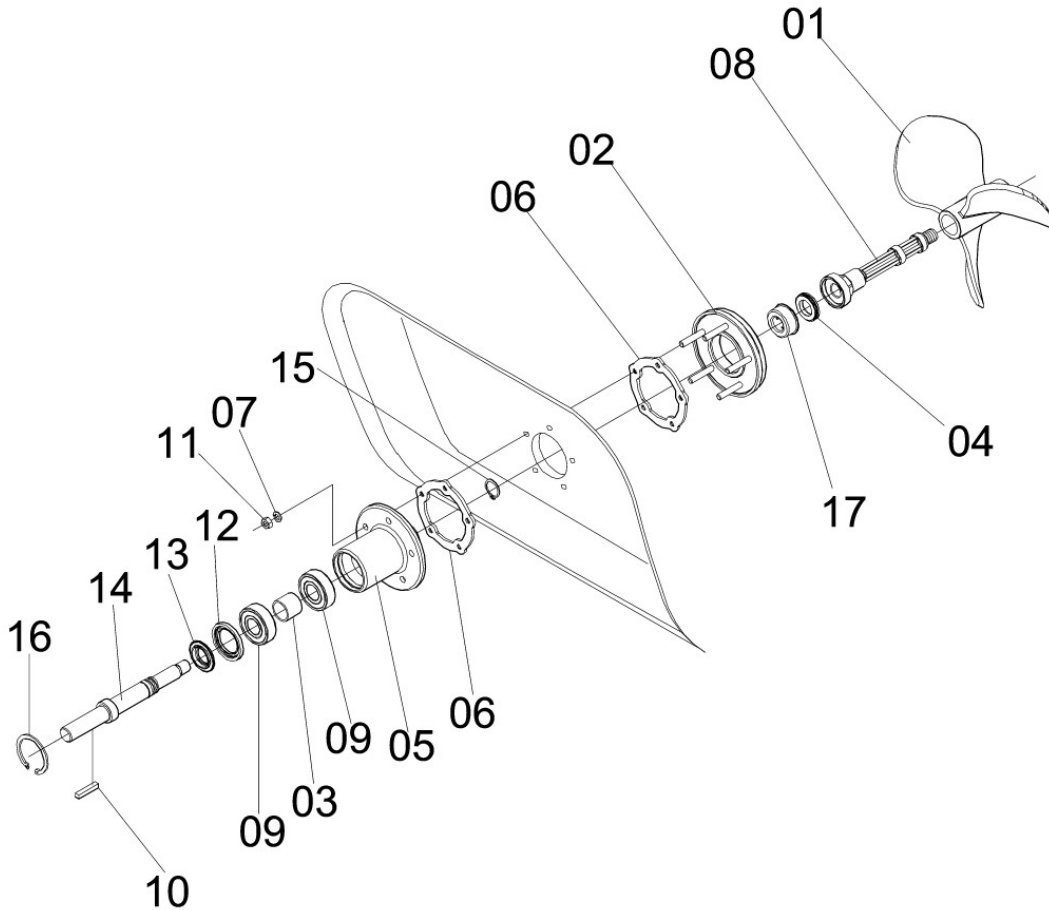
FLEXIBLE COUPLING 9



LE-12

Item	CODE	DESCRIPTION	Qty.	Item	CODE	DESCRIPTION	Qty.
00	727925	Flexible coupling 9	1				
01	727917	Pulley \varnothing 146-1A	1				
02	326462	Ring	2				
03	326470	Hub \varnothing 19	1				
04	836502	Screw 5/16" - 18 UNC x 1"	8				
05	519736	Lock washer M8	8				
06	326447	Flexible link 125	4				
07	817627	Tightening pulley shaft 15 x 50.5	1				
08	912790	Hex. nut 1/2" - 13 UNC	1				
09	908582	Lock washer 1/2"	1				
10	818112	Flat washer 130 x 240 x 30	1				
11	910851	Snap ring for shaft 15	1				
12	328781	Fixed bearing	1				
13	845412	Snap ring for hole \varnothing 35	1				

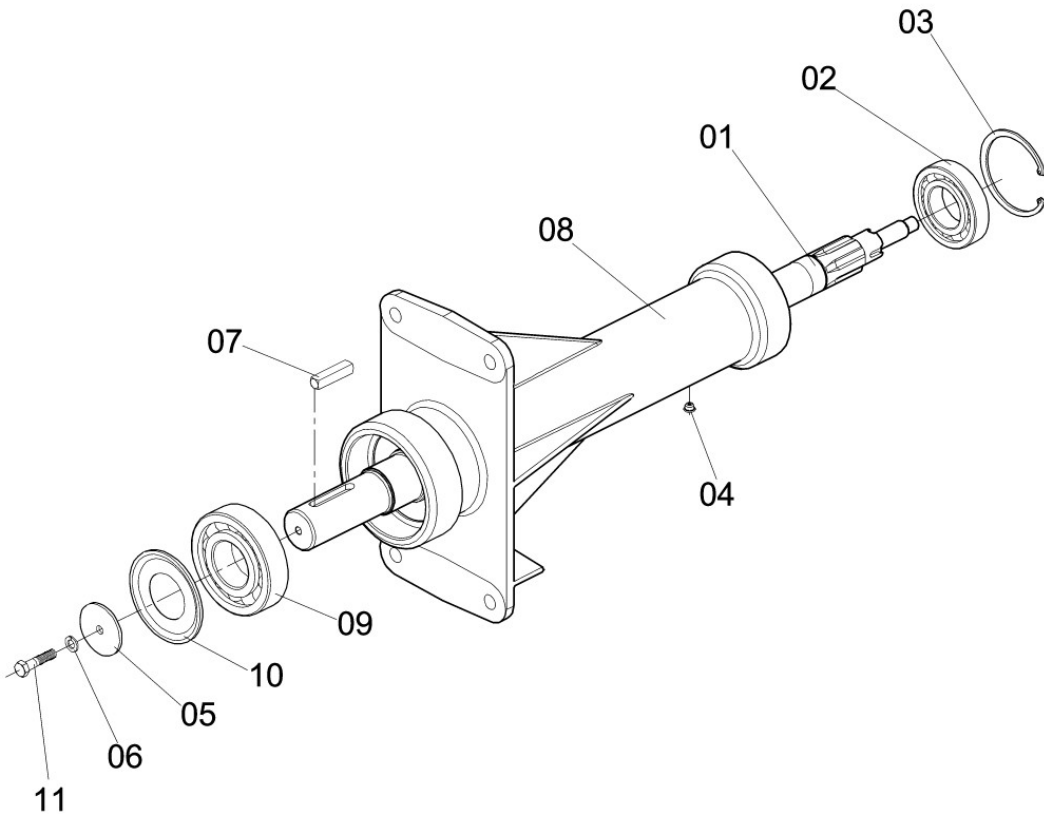
MECHANICAL AGITATOR 2005 - 02



MM-27

Item	CODE	DESCRIPTION	Qty.	Item	CODE	DESCRIPTION	Qty.
00	543348	Mechanical agitator 2005 - 02	1				
01	102848	Agitator propeller	1				
02	345272	Internal flange	1				
03	408666	Bearing spacer bushing	1				
04	418046	Ceramic ring	1				
05	513838	Agitator body	1				
06	514612	Agitator seal joint	2				
07	521666	Lock washer M6	5				
08	559849	Propeller shaft	1				
09	603522	Fixed bearing with 1 ball career	2				
10	419416	Square key 3/16" x 38	1				
11	730309	Hex. nut M6 x 1.00 - Steel	5				
12	838201	Bearing internal protection	1				
13	850750	Bearing external protection	1				
14	813261	Agitator shaft	1				
15	913517	Snap ring for shaft ø 17	1				
16	916775	Snap ring for hole ø 40	1				
17	932038	Mechanic seal - Viton 42012 - stainless steel	1				

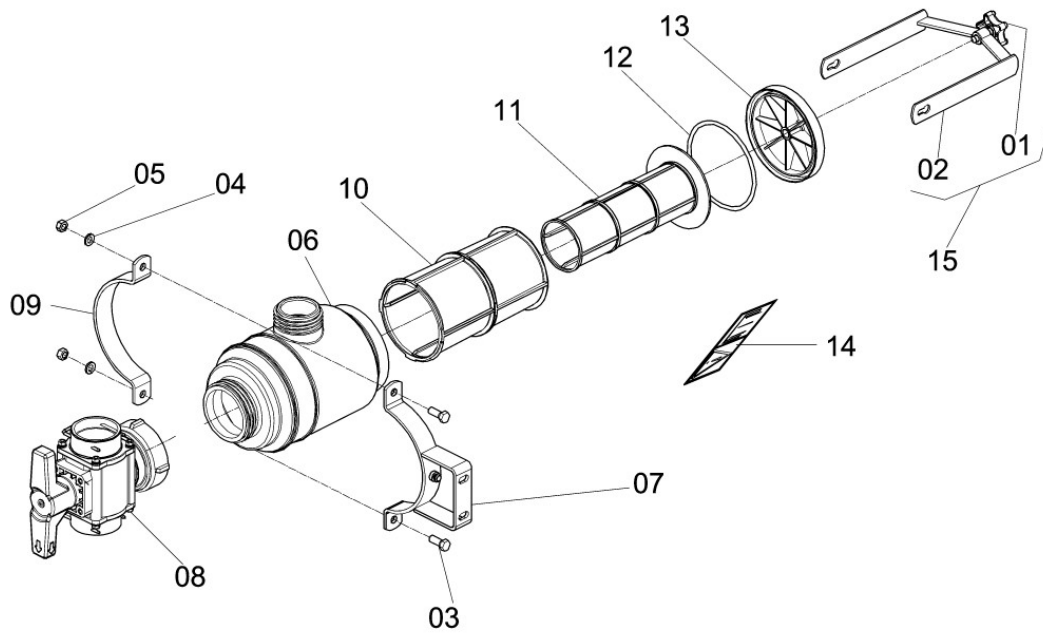
BEARING BLOCK



TMV-30

Item	CODE	DESCRIPTION	Qty.	Item	CODE	DESCRIPTION	Qty.
00	368068	Bearing block	1				
01	039248	Shaft 785	1				
02	203737	Fixed bearing	1				
03	324145	Snap ring for hole \varnothing 80	1				
04	430652	Bearing breather	1				
05	507665	Flat washer 82 x 506 x 30	1				
06	519736	Lock washer M8	1				
07	519793	Square key 9.53 (3/8") x 45	1				
08	728840	Transmission bearing	1				
09	728899	Fixed bearing	1				
10	728907	Packing ring	1				
11	037258	Hex head bolt M 8 x 20 x 1.00 RT CL 10.9	1				

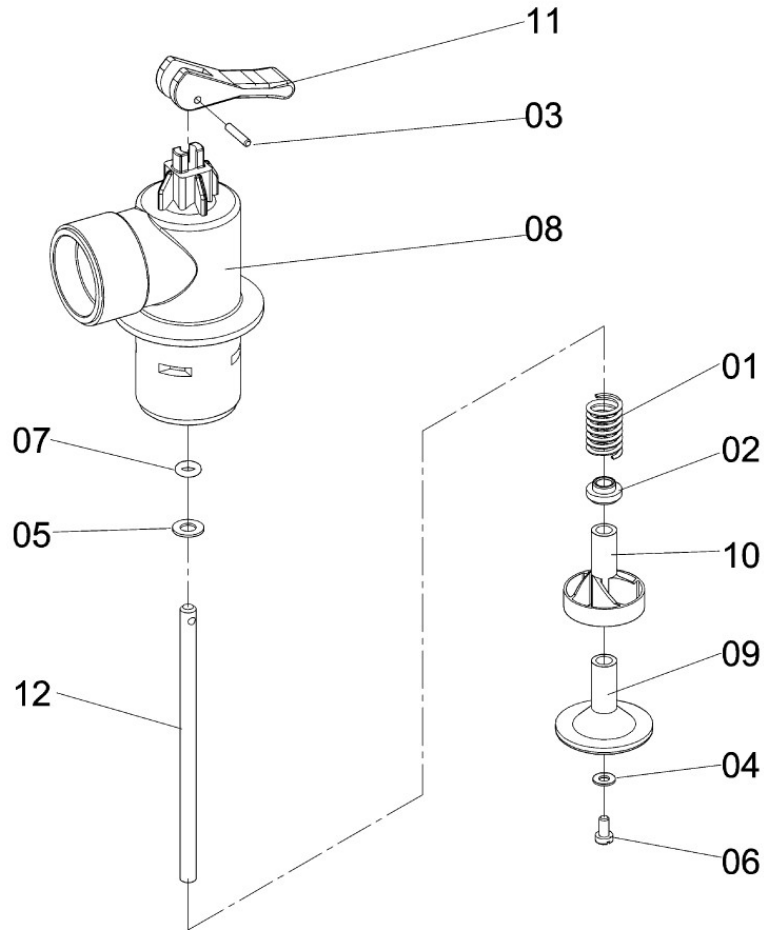
SUCTION FILTER WITH VALVE 200 L/MIN



F-30

Item	CODE	DESCRIPTION	Qty.	Item	CODE	DESCRIPTION	Qty.
00	279844	Suction filter with valve 200 L/min	1				
01	011734	Bolt with knob	1				
02	817403	Handle	1				
03	168070	Hex. head bolt M 10 x 25 x 1,25	2				
04	209395	Lock washer M10	2				
05	907030	Hex. nut M10 x 1.25	2				
06	941336	Suction filter body	1				
07	732115	Half-strap with support	1				
08	287953	3-way valve - Model B	1				
09	817379	Suction filter half-strap	1				
10	817346	Double filtering element 430	1				
11	817353	Triple filtering element 820 with flange	1				
12	472597	Packing ring ø 136	1				
13	817395	Cover with seat	1				
14	379230	Sticker: "Read Operator's Manual - Horizontal"	1				
15	834069	Handle assembly					

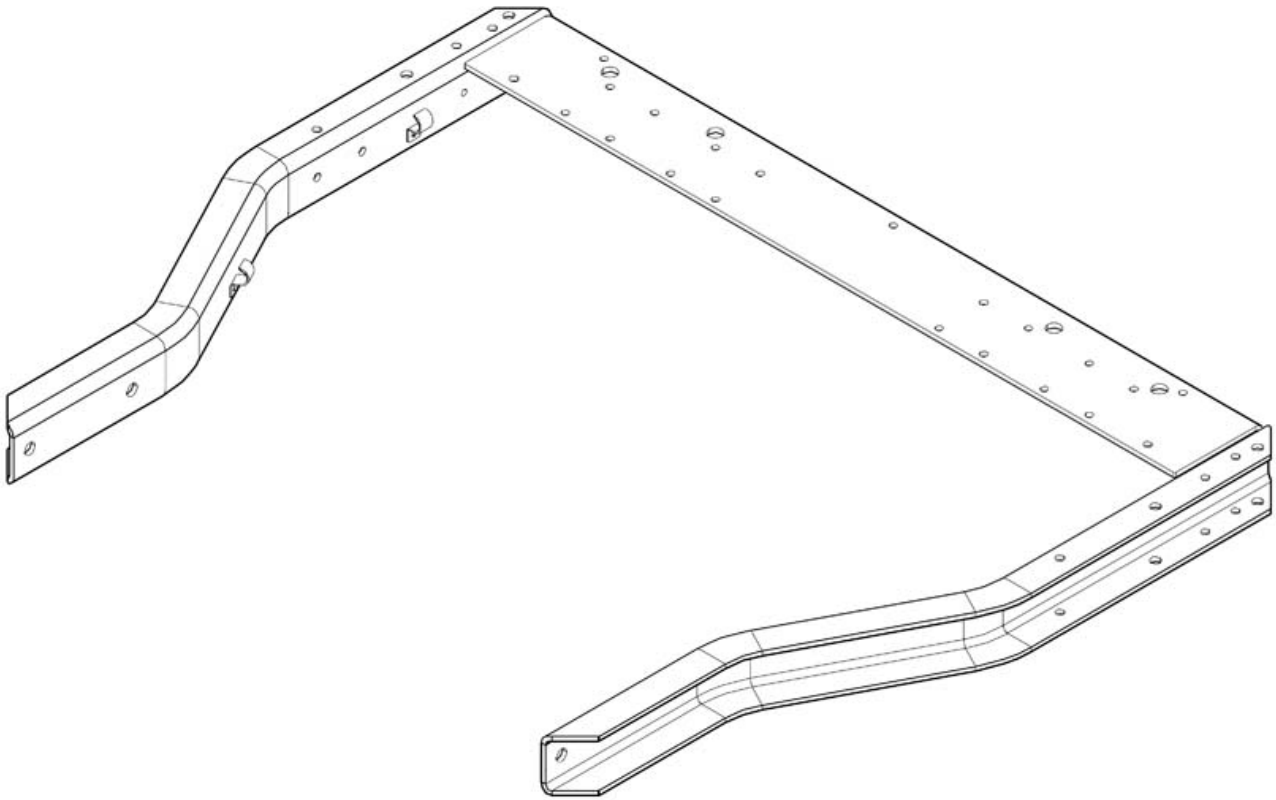
DIRECTIONAL VALVE



CV-167

Item	CODE	DESCRIPTION	Qty.	Item	CODE	DESCRIPTION	Qty.
00	054395	Directional valve	1				
01	044057	Compression spring 12.7	1				
02	048199	Seal	1				
03	049858	Lever pin	1				
04	050187	Flat washer 43 x 90 x 8	1				
05	050195	Flat washer 64 x 125 x 95 stainless steel	1				
06	050211	Screw M4 x 8	1				
07	050237	O-ring OR2-108	1				
08	054403	Valve body	1				
09	054429	Piston cup	1				
10	054437	Guide	1				
11	054445	Rinse nozzle lever	1				
12	054452	Spring Guide Pin	1				

REAR BUMPER

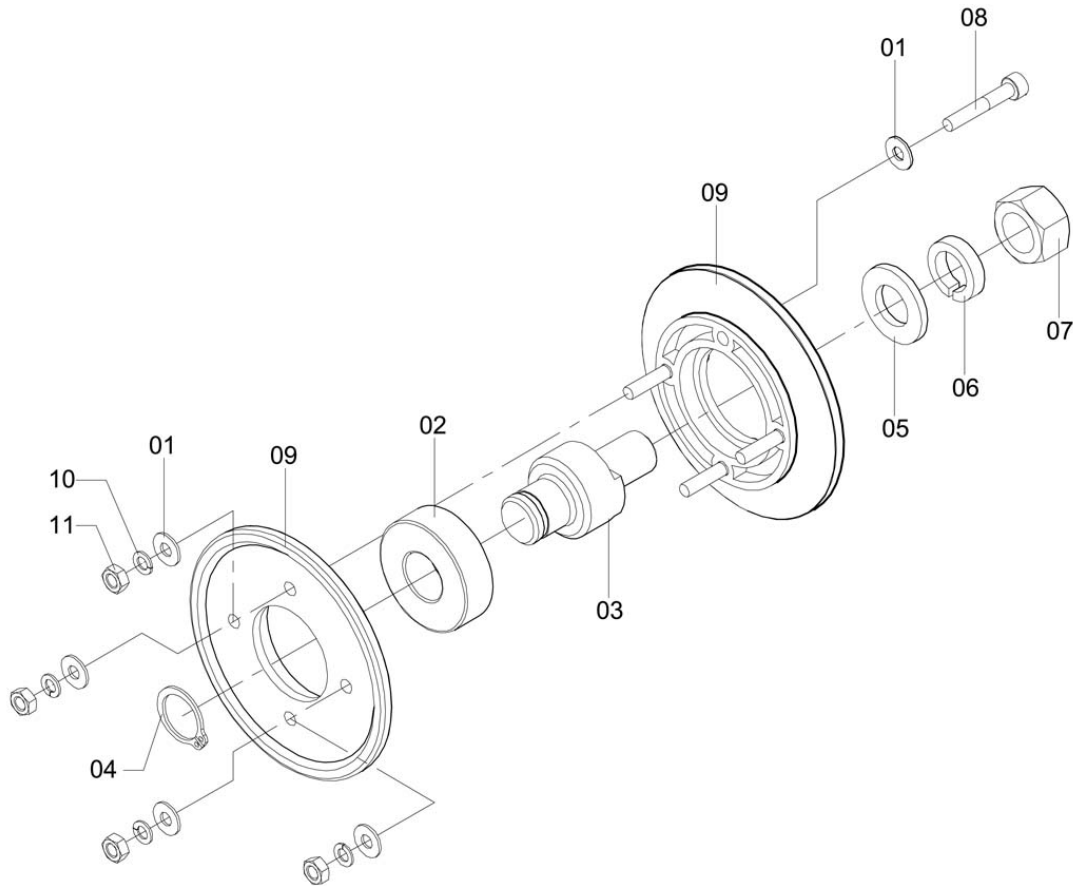


C-188

Item	CODE	DESCRIPTION	Qty.
00	325258	Rear bumper	1

Item	CODE	DESCRIPTION	Qty.

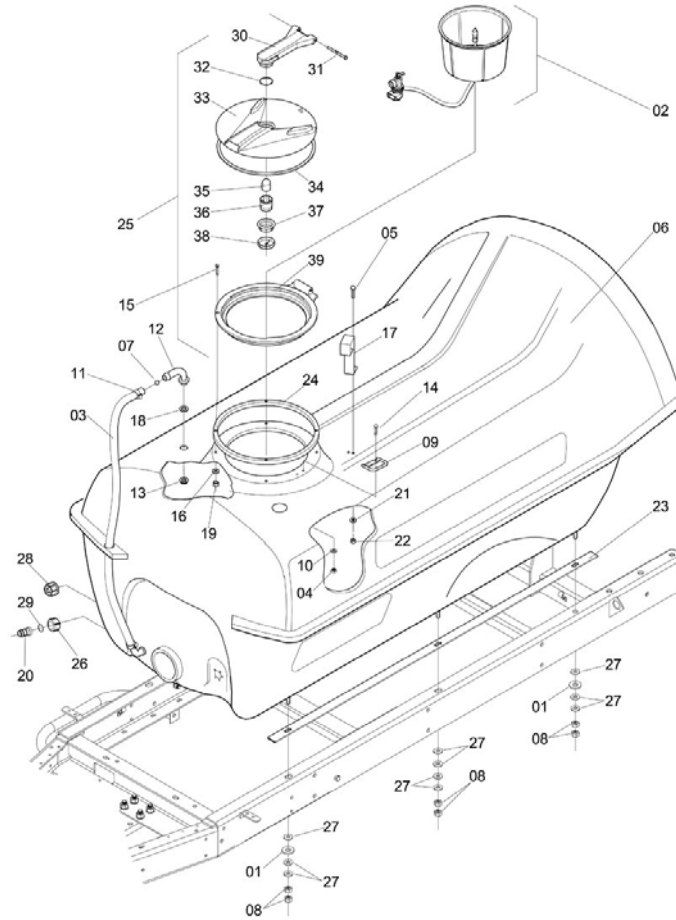
TIGHTENING PULLEY ASSEMBLY 78 (SHAFT Ø 15 X 50,5)



LE-14

Item	CODE	DESCRIPTION	Qty.	Item	CODE	DESCRIPTION	Qty.
00	645416	Tightening pulley assembly 78 (Shaft ø 15 x 50,5)	1				
01	508515	Flat washer no. 43 x 102 x 8	8				
02	328781	Fixed bearing	1				
03	817627	Tightening pulley shaft 15 x 50.5	1				
04	910851	Snap ring for shaft 15	1				
05	818112	Flat washer 130 x 240 x 30	1				
06	908582	Lock washer 1/2"	1				
07	912790	Hex. nut 1/2" - 13 UNC	1				
08	1148396	Screw M4 X 0.7 MM 25 Comp	4				
09	644641	Pulley disk ø 78 - 1A	2				
10	520700	Lock washer M4	4				
11	551523	Hex. nut M-4 x 0.7 stainless steel	4				

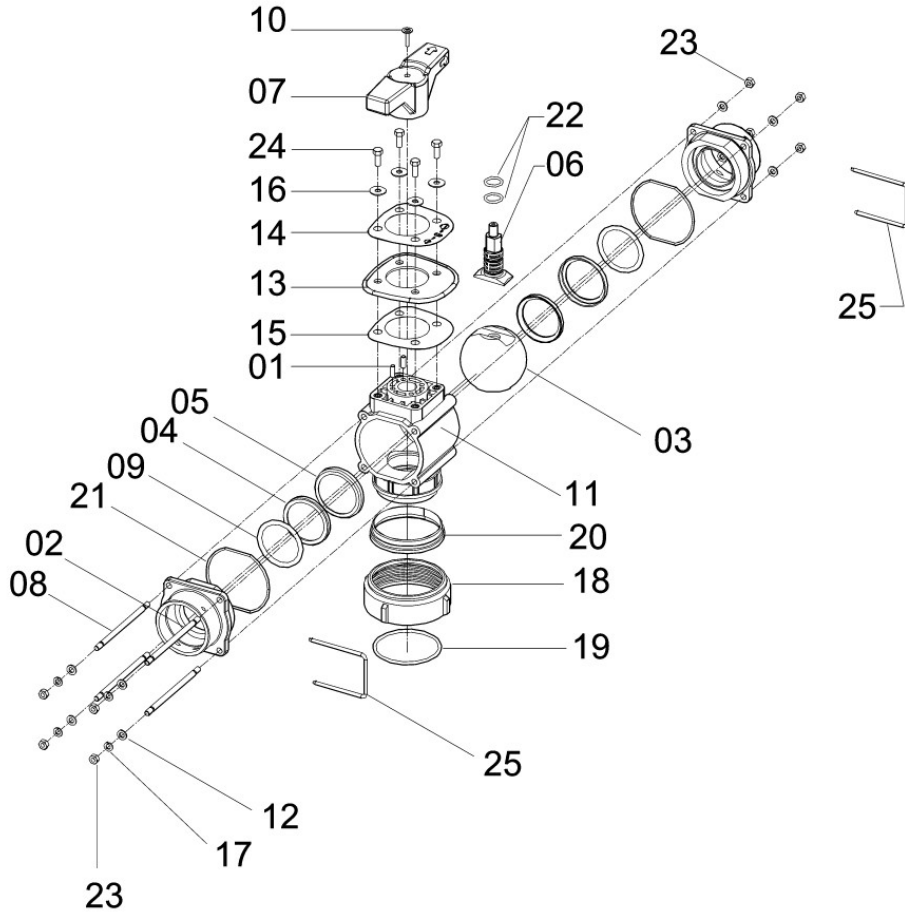
TANK 2000 L



D-117

Item	CODE	DESCRIPTION	Qty.	Item	CODE	DESCRIPTION	Qty.
00	299966	Tank 2000 L	1	26	473082	Bored cap ø 53	1
01	116665	Shock absorbing washer	4	27	881300	Flat washer 170 x 380 x 3.0	20
02	134239	Chemical container rinse nozzle kit	1	28	900761	Drain cap ø 67	1
03	178657	Hose 3/4" x 1220	1	29	588913	O-ring OR-330	1
04	221648	Nut M8 x 1.25 - stainless steel	2	30	870204	Lid articulator	1
05	295311	Screw M6 x 25 x 1,00 (stainless)	2	31	870212	Articulation pin	1
06	299917	Tank - 2023	1	32	870220	Packing ring	1
07	324764	Float ø 14	1	33	870238	Spray tank lid	1
08	326298	Nut ø 5/8" - 11 UNC - stainless steel	12	34	994863	Packing ring ø 367 x 6.99	1
09	362749	Support Handle	1	35	870253	Float	1
10	377911	Flat washer 84 x 160 x 16	2	36	870261	Breather assembly	1
11	423814	Clamp D22-32 - stainless steel	2	37	870287	Coupling nut	1
12	428730	Elbow 3/4" x 1/2" BSP -14 F.P.P.	2	38	870295	Deflector	1
13	428748	Flanged nut 1/2" BSP -14 F.P.P.	2	39	870279	Lid seat	1
14	448233	Bolt M8 x 30 x 1,25	2				
15	481002	Flat head screw with slot - M5	8				
16	501692	Flat washer 52 x 120 x 12	8				
17	547117	Filler unit support	1				
18	563510	Seal washer ø 36,3	2				
19	564971	Nut M-5 x 0.8	8				
20	613661	Hose fitting ø 2"	1				
21	712554	Flat washer 70 x 180 x 12,4	2				
22	730309	Nut M-6 x 1.00 - stainless steel	2				
23	732032	Tank seat	2				
24	752931	Packing 5 x 15 x 1370	1				
25	752949	"Italian" Lid Assembly with Ring	1				

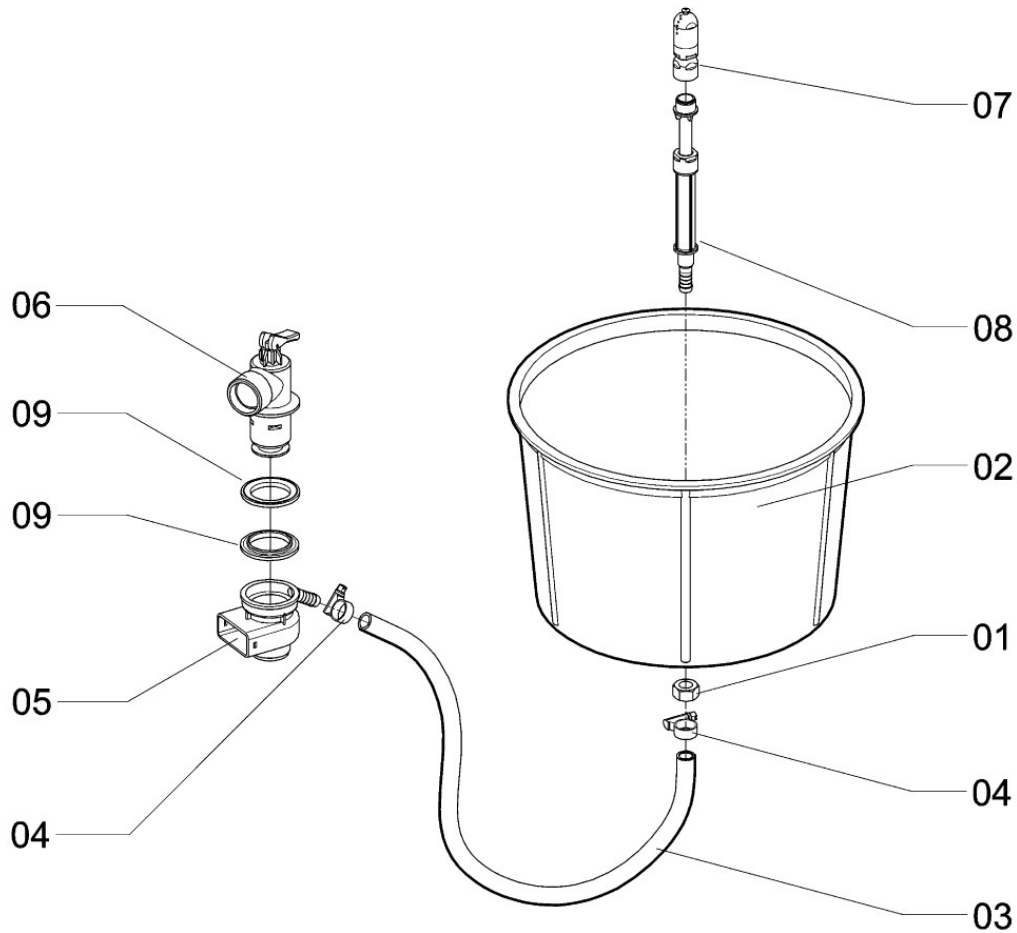
3-WAY VALVE - MODEL B



CV-244

Item	CODE	DESCRIPTION	Qty.	Item	CODE	DESCRIPTION	Qty.
00	287953	3-way valve - Model B	1				
01	048132	Stop pin	2				
02	065912	Valve Flange	2				
03	065953	Ball - 3-way	1				
04	065995	Seal seat	2				
05	066001	Seat guide	2				
06	066027	Core dragging rod	1				
07	066035	Level	1				
08	066076	Stud bolt M6 x 120 x 1,00 - Inox	4				
09	096032	Packing ring \varnothing 60,8 x 50,2	2				
10	281790	Self-tapping screw \varnothing 4 x 20	1				
11	287540	3-way Valve Body - Assembly	1				
12	358267	Flat washer 64 x 125 x 16	8				
13	378778	Stickers holder	1				
14	378786	Sticker: "Valve Operation" (Right)	1				
15	378794	Sticker: "Valve Operation" (Left)	1				
16	413468	Flat washer 68 x 190 x 12	4				
17	521666	Lock washer M6	4				
18	534453	Union nut	1				
19	592709	Packing ring OR1-233	1				
20	593673	Lock ring	1				
21	737759	O-ring OR1-151	2				
22	763649	O-ring OR1-115	2				
23	810689	Hex. nut M6 x 1.00	8				
24	829507	Hex. head bolt M6 x 16 x 1.00	4				
25	970103	Lock 56	2				

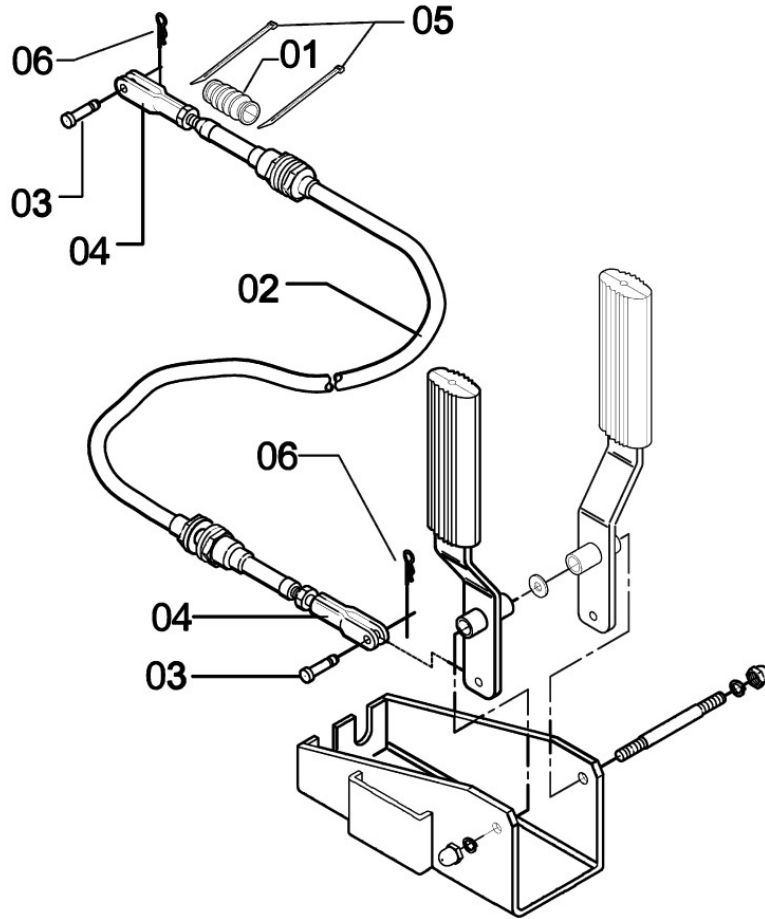
CHEMICAL CONTAINER RINSE NOZZLE KIT



KIT-24

Item	CODE	DESCRIPTION	Qty.	Item	CODE	DESCRIPTION	Qty.
00	134239	Chemical container rinse nozzle kit	1				
01	938498	Hex. nut M16 x 2.00	1				
02	134007	Strainer	1				
03	071886	Hose 12.7 (1/2") x 600	1				
04	107664	Clamp D14-22 - stainless steel	2				
05	054411	Valve fastener	1				
06	054395	Directional valve	1				
07	071944	Rinse nozzle	1				
08	088237	Chemical container rinse nozzle rod	1				
09	088245	Packing ring	2				

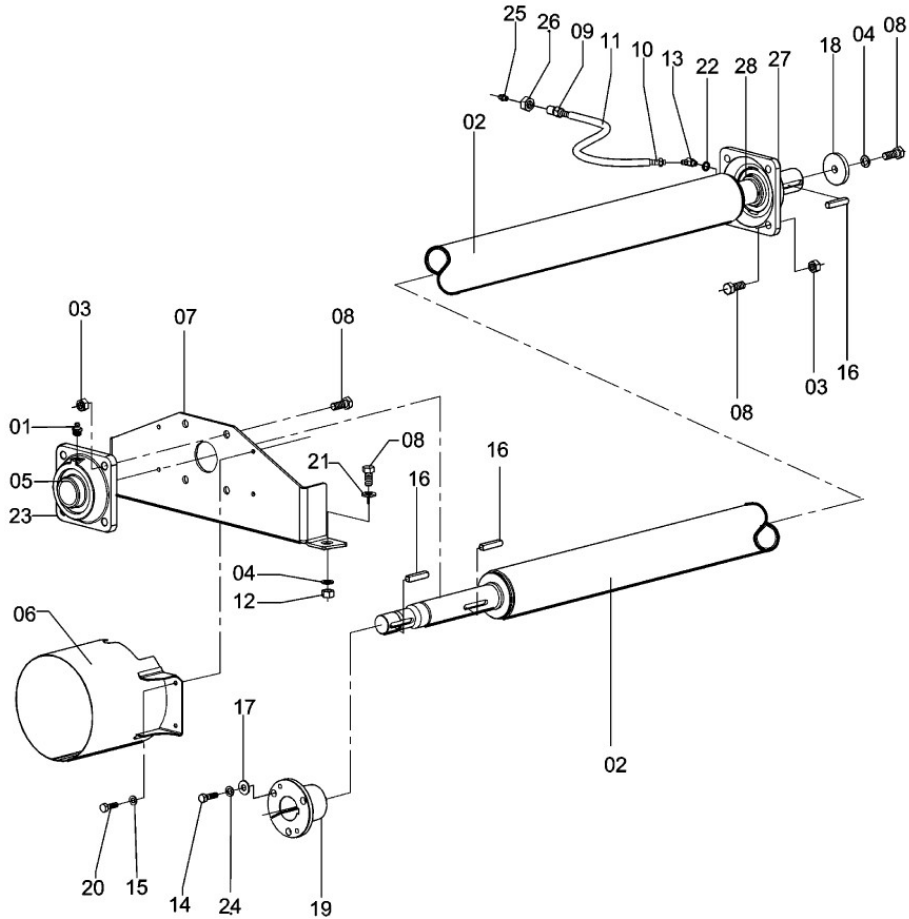
FLEXIBLE CABLE WITH COUPLING END



CV-121

Item	CODE	DESCRIPTION	Qty.	Item	CODE	DESCRIPTION	Qty.
00	438291	Flexible cable with coupling end	1				
01	058164	Bellows protector	2				
02	228411	Flexible cable	1				
03	431510	Joint pin	2				
04	458323	Coupling end 53.5	2				
05	825406	Hose tie T 018 R	2				
06	942904	Lock cotter pin \varnothing 2.1 x 84.5	2				

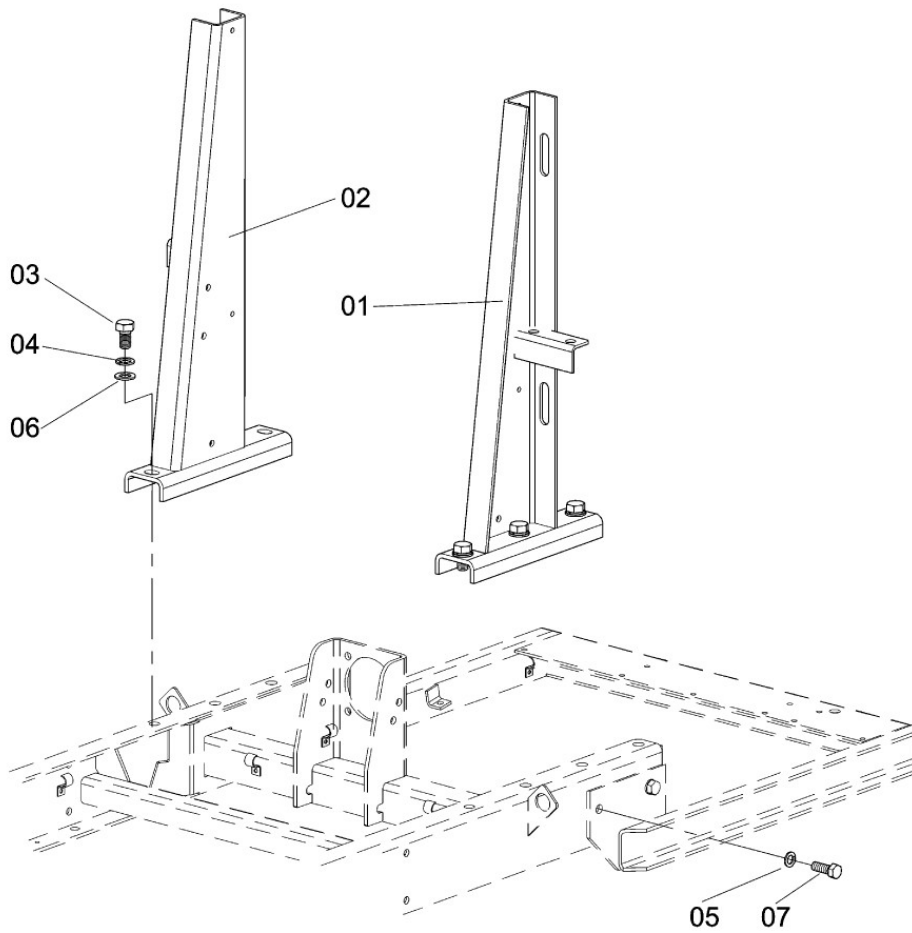
DRIVE TRANSMISSION AND COMPLEMENTS



TMT-54

Item	CODE	DESCRIPTION	Qty.	Item	CODE	DESCRIPTION	Qty.
00	299628	Drive transmission and complements	1	26	916627	Nut 7/16" - 14 UNC	1
01	127142	Grease nipple \varnothing 1/8"	1	27	969436	Flange-type bearing II	1
02	172015	Shaft 2740	1	28	970798	Self-compensating bearing	1
03	173245	Hex. nut parlock M12 x 1.25	8				
04	209163	Lock washer M12	3				
05	220194	Self-aligning bearing	1				
06	240036	PTO shaft guard tube	1				
07	252874	Bearing support (front)	1				
08	383802	Hex. bolt M12 x 40 x 1,50	11				
09	426189	Grease nipple fitting	1				
10	426205	Male fitting for hose \varnothing 1/4"	1				
11	426213	Hose 1/4" x 400	1				
12	427013	Nut ABTN - 1020 thread M12 x 1,50	2				
13	429555	Grease nipple 1/8" BSP 45	1				
14	518753	Bolt 3/8" - 16 UNC x 1.1/4"	3				
15	521666	Lock washer M6	4				
16	521765	Square key 9,53 (3/8") x 50	3				
17	624130	Flat washer 100 x 180 x 12	3				
18	703595	Flat washer 133 x 580 x 80	1				
19	725333	Pulley lock	1				
20	810697	Bolt M6 x 1 x 20	4				
21	818112	Flat washer 130 x 240 x 30	2				
22	822650	Ring \varnothing 9.8 x \varnothing 12.7 x 2.0	1				
23	825075	Flange-type bearing	1				
24	908566	Lock washer \varnothing 3/8"	3				
25	910463	Grease nipple 1/4" - 28 UNF	1				

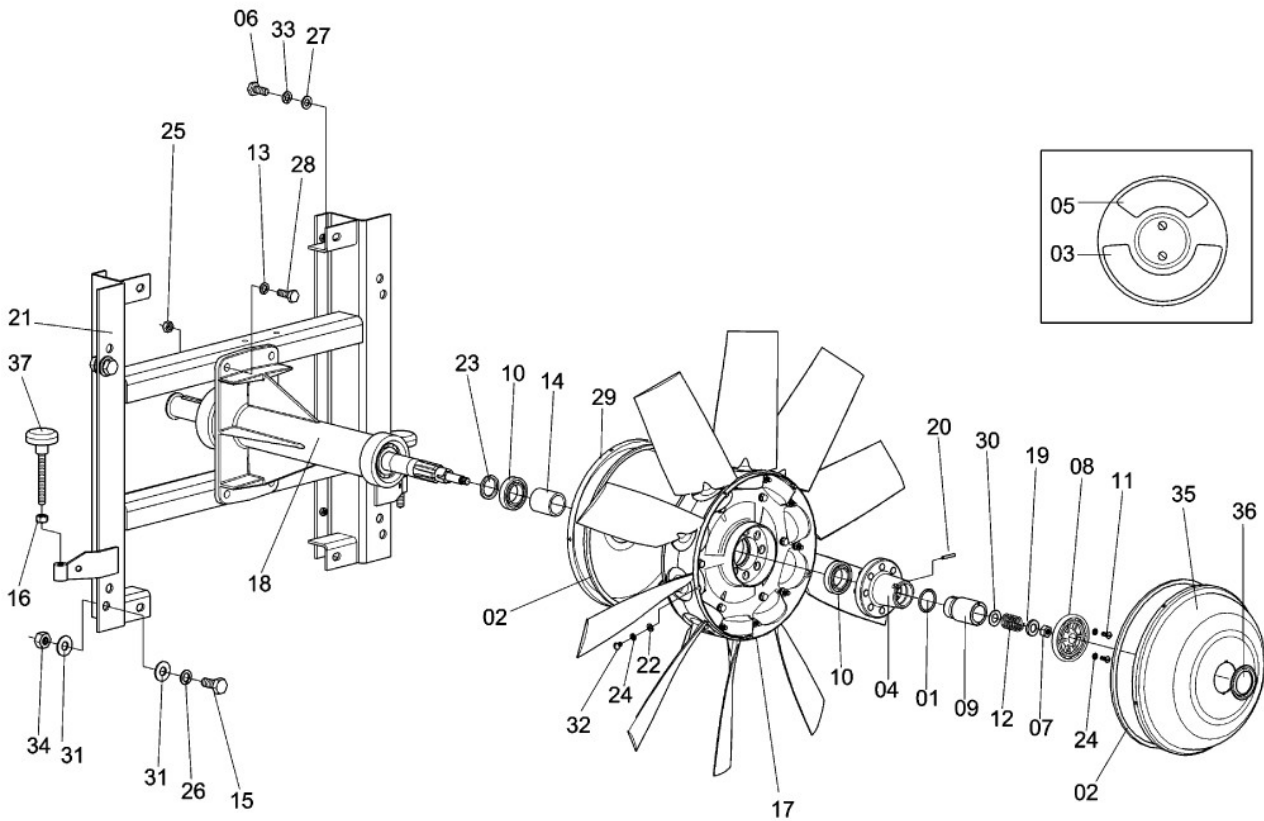
REAR COLUMN AND COMPLEMENTS (EXPORT/GOLDEN)



C-84

Item	CODE	DESCRIPTION	Qty.	Item	CODE	DESCRIPTION	Qty.
00	288597	Rear column and complements (Export/Golden)	1				
01	076273	Left column	1				
02	076265	Right column	1				
03	174334	Hex. head bolt M-20 x 50 x 1,50 - CL. 8.8	6				
04	211102	Lock washer 20	6				
05	764142	Lock washer M16	2				
06	818153	Flat washer 210 x 370 x 30	6				
07	934422	Hex. bolt M16 x 50	2				

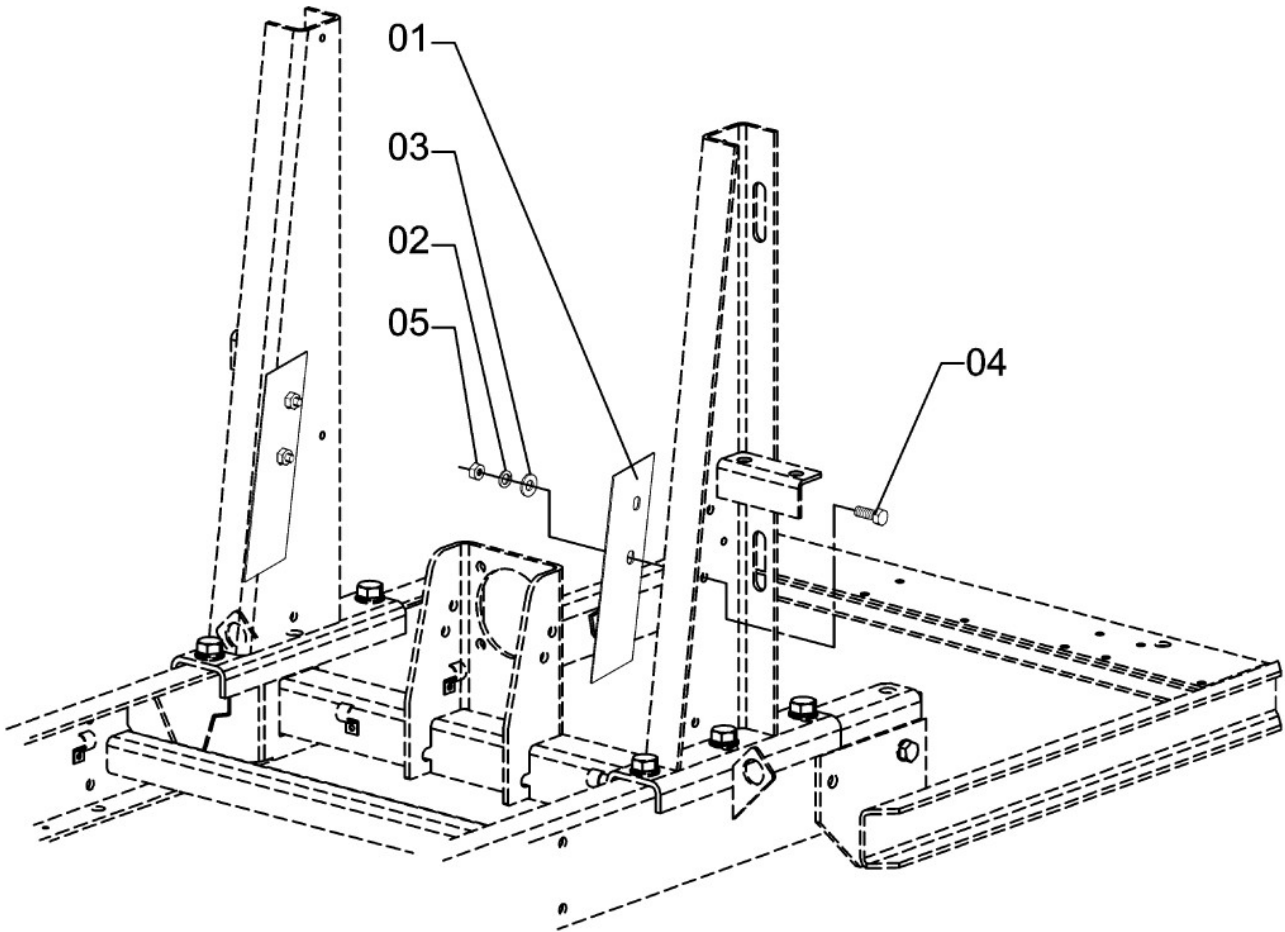
DRIVEN TRANSMISSION AND COMPLEMENTS



TMV-23

Item	CODE	DESCRIPTION	Qty.	Item	CODE	DESCRIPTION	Qty.
00	288647	Driven transmission and complements	1	26	764142	Lock washer M16	4
01	011643	O-ring ORI-129	1	27	818112	Flat washer 130 x 240 x 30	4
02	018655	Packing 1015	2	28	829432	Bolt M12 x 35 x 1.75	4
03	018705	Sticker: "Fan lock instructions"	1	29	848911	Fan guard cap	1
04	018713	Grooved hub with pins	1	30	881243	Flat washer 170 x 300 x 19	1
05	039222	Sticker: "850"	1	31	881300	Flat washer 170 x 380 x 3.0	8
06	108332	Hex. bolt 1/2" - 13 UNC x 1.1/4"	4	32	907584	Screw 3/16" UNC x 5/16"	10
07	108787	Nut DODI-LOC ø 1/2" - 13 UNC	1	33	908582	Lock washer 1/2"	4
08	201087	Disc ø 70	1	34	916734	Hex. nut 5/8" - 11 UNC	4
09	201103	Coupling hub	1	35	935379	Hub cap	1
10	202549	Fixed bearing	2	36	939223	Packing ring	1
11	202853	Screw ø 3/16" UNC x 1/2"	2	37	941948	Tightening screw ø 1/2" - 13 UNC	2
12	204537	Compression spring	1				
13	209163	Lock washer M12	4				
14	232686	Spacer 51.4	1				
15	325282	Bolt ø 5/8" - 11 UNC x 1.1/2"	4				
16	326280	Nut ø 1/2" UNC	2				
17	348995	Fan assembly	1				
18	368068	Bearing block	1				
19	425892	Spring seat ring	1				
20	427567	Flexible pin ø 5 x 32	1				
21	444034	Adjustable frame	1				
22	508515	Flat washer 41 x 127 x 12.1	10				
23	518118	Spacer ring	1				
24	520676	Lock washer M5	12				
25	427013	Nut ABTN - 1020 thread M12 x 1,50	4				

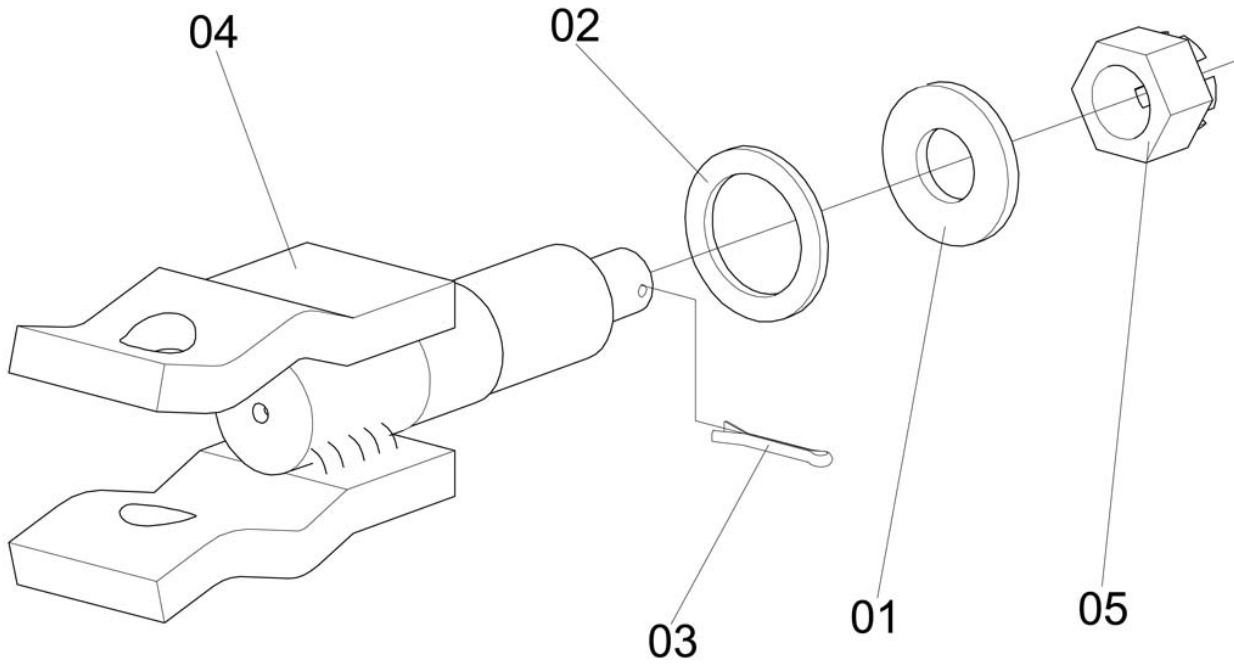
COMPLEMENTS FOR EXPORT TRAILER



C-96

Item	CODE	DESCRIPTION	Qty.	Item	CODE	DESCRIPTION	Qty.
00	681999	Complements for Export Trailer	1				
01	465823	Side guard	2				
02	209395	Lock washer M10	4				
03	623884	Flat washer 105 x 210 x 20	4				
04	757559	Hex. bolt M10 x 30 x 1.25	4				
05	907030	Hex. nut M10 x 1.25	4				

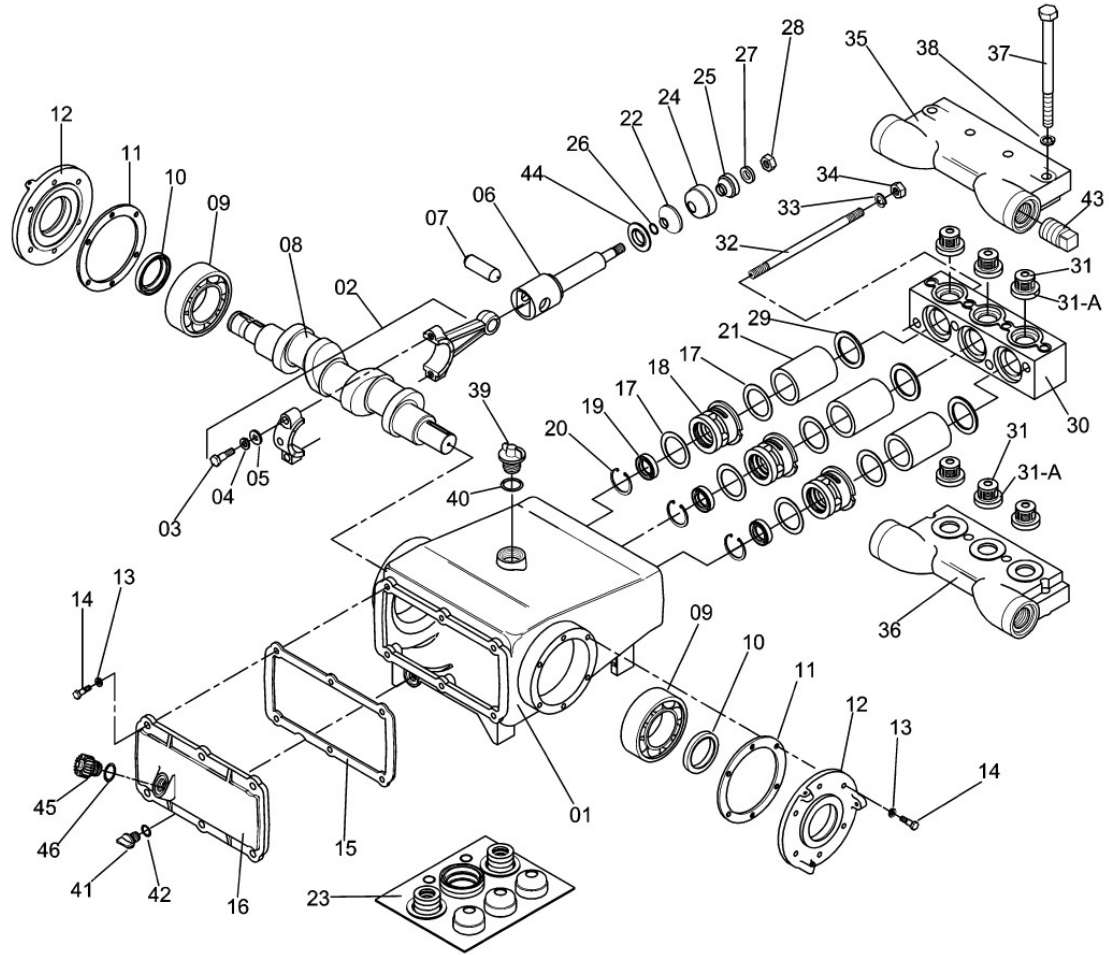
TRAILER HITCH



C-89

Item	CODE	DESCRIPTION	Qty.	Item	CODE	DESCRIPTION	Qty.
00	487215	Trailer hitch	1				
01	001982	Flat washer 300 x 650 x 63	1				
02	007567	Flat washer 500 x 700 x 47.5	1				
03	209783	Cotter pin \varnothing 3/16" x 1.1/2"	1				
04	620815	Trailer hitch	1				
05	625160	Castle nut 1.1/8" - 7 UNC	1				

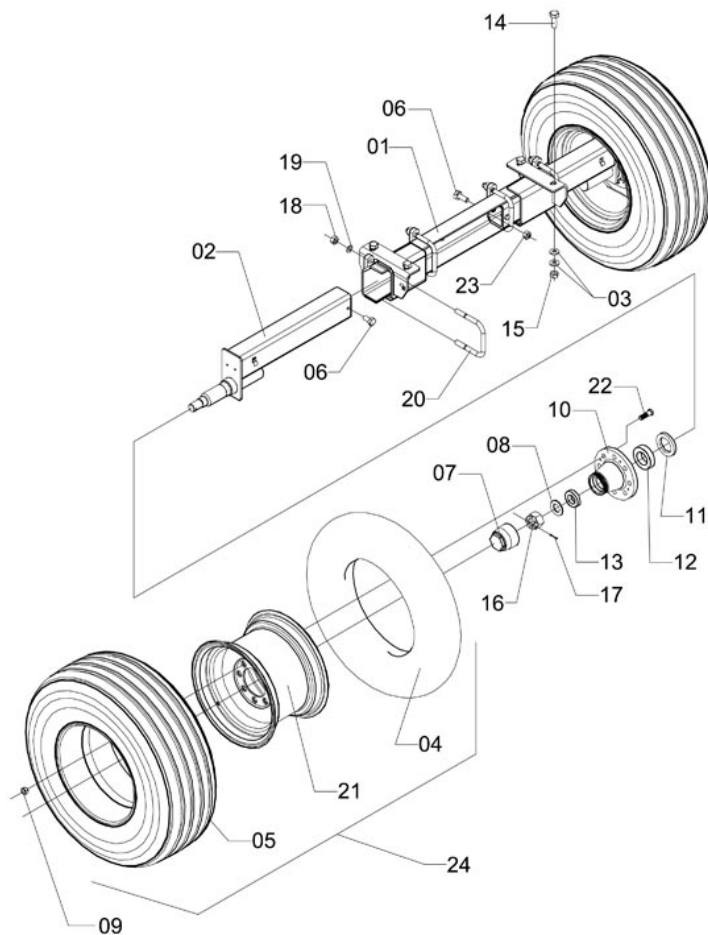
SPRAY PUMP JP-150



B-5

Item	CODE	DESCRIPTION	Qty.	Item	CODE	DESCRIPTION	Qty.
00	323121	Spray pump JP-150	1	26	120071	O-ring ORI - 015	3
01	322669	Pump body	1	27	325076	Flat washer 132 x 258 x 30.4	3
02	038778	Connecting rod assembly	3	28	324178	Nut \varnothing 1/4" - 20 UNF	3
03	917492	Hex. bolt \varnothing 3/8" - 16 UNC x 2"	6	29	322875	Seal washer	3
04	908566	Lock washer \varnothing 3/8"	6	30	322735	Pump head	1
05	624130	Flat washer 100 x 180 x 12	6	31	587378	Pump valve 24 "D"	6
06	322933	Guide with rode	3	31A	323014	Packing ring \varnothing 47 x 35,5 x 9	6
07	322909	Connecting rod shaft	3	32	322891	Stud bolt \varnothing 5/8" - 11 UNC x 240 - stainless steel	4
08	240838	Crankshaft	1	33	764142	Lock washer M16	4
09	325506	Bearing 6310	2	34	916734	Hex. nut 5/8" - 11 UNC	4
10	323170	Retainer 01920	2	35	044487	Valves cover	1
11	322883	Packing 110 x 145 x 0.4	2	36	536342	Valves cover	1
12	322610	Bearing flange	2	37	429258	Screw \varnothing 1/2" - 13 UNC x 3" - stainless steel	1
13	519736	Lock washer M8	18	38	908582	Lock washer 1/2"	8
14	913608	Hex. head bolt 5/16" - 18 UNC x 3/4"	18	39	328542	Plug \varnothing 3/4" BSP	1
15	322834	Packing 132 x 262 x 1.59	1	40	012724	O-ring ORI-119	1
16	322776	Pump cover	1	41	520775	Drain plug 1/4" BSP	1
17	322867	Packing	6	42	325290	O-ring OR1-112	1
18	322826	Sleeve guide	3	43	427948	Plug \varnothing 1.1/2" BSP	2
19	323188	Retainer 72	3	44	322842	Scraper ring	3
20	916775	Snap ring for hole \varnothing 40	3	45	213736	Plug 1/2" BSP	1
21	322925	Sleeve (alumina)	3	46	210146	O-ring OR1-117	1
22	323147	Piston cup base	3				
23	427930	Repair kit	1				
24	323139	Piston cup	3				
25	323154	Piston	3				

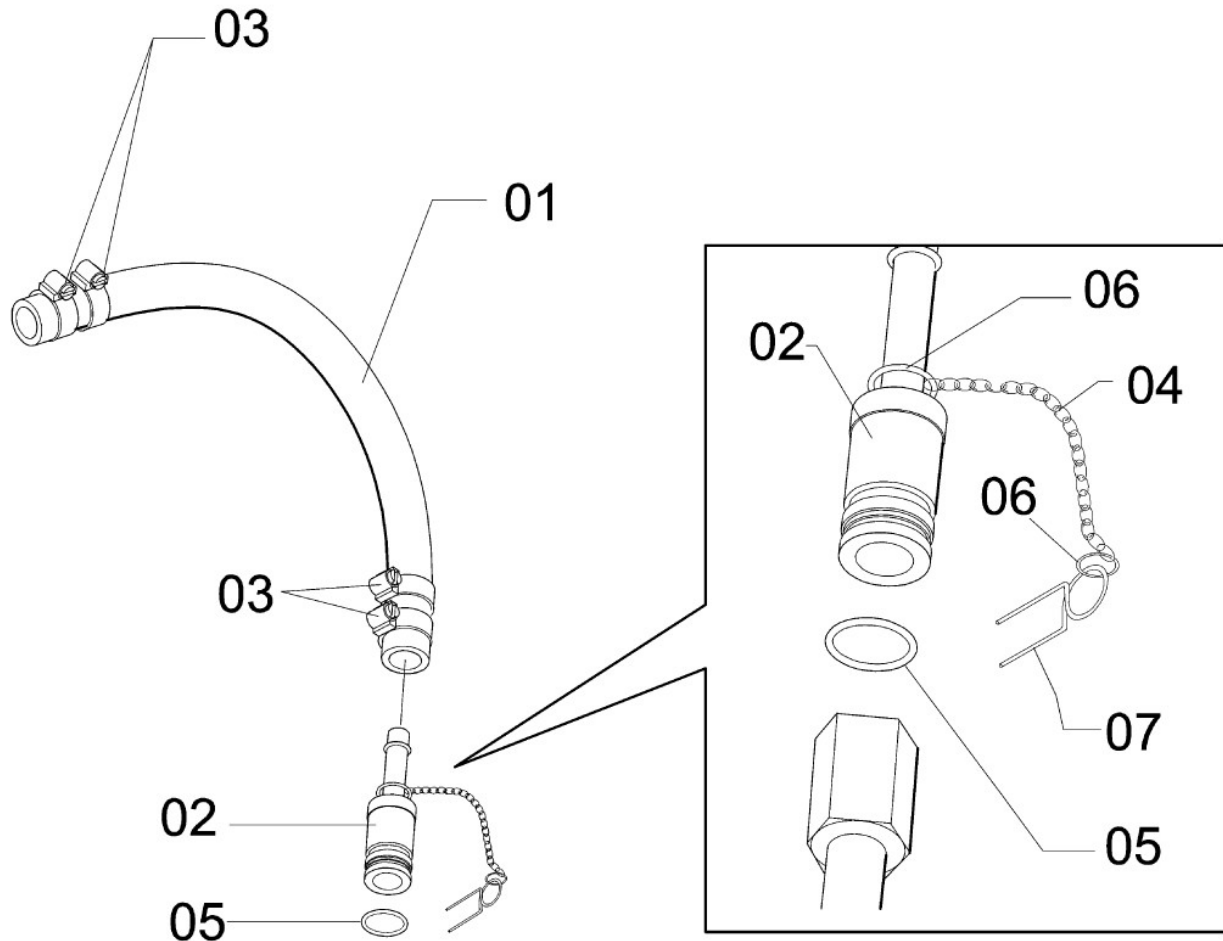
ADJUSTABLE AXLE N° 13



EX-128

Item	CODE	DESCRIPTION	Qty.	Item	CODE	DESCRIPTION	Qty.
00	997551	Adjustable axle n° 13	1			Sticker: "Minimum Track Width Recommended"	
01	997569	Axle fixed body	1				
02	997619	Axle moving end	2				
03	881300	Flat washer 170 x 380 x 3.0	8				
04	323402	Inner tube 11 L - 15	2				
05	429761	Tire 11L - 15 - 10 ply	2				
06	757559	Hex. bolt M10 x 30 x 1.25	4				
07	610188	Hub cap	2				
08	881334	Flat washer 330 x 650 x 31	2				
09	700377	Lug nut \varnothing 5/8" - 18 UNF	16				
10	715706	Wheel hub	2				
11	715789	Retainer 60 x 90.30 x 10	2				
12	715805	Cone bearing	2				
13	717173	Cone bearing	2				
14	984963	Hex. bolt M16 x 50 x 1.50	4				
15	044107	Parlock hex. nut M16 x 1.50	4				
16	831347	Castle nut M30 x 2"	2				
17	831354	Cotter pin \varnothing 6.30 x 50.8	2				
18	826297	Hex. nut M-16 x 2.00	8				
19	764142	Lock washer M16	8				
20	997882	U-clip	4				
21	998294	Rim 10 LB-15 with 8 holes	2				
22	715797	Bolt \varnothing 5/8" x 18 UNF x 5	16				
23	907030	Hex. nut M10 x 1.25	2				
24	176917	Tire assembly 10lb-15 with 8-hole wheel	1				
	097428		1				

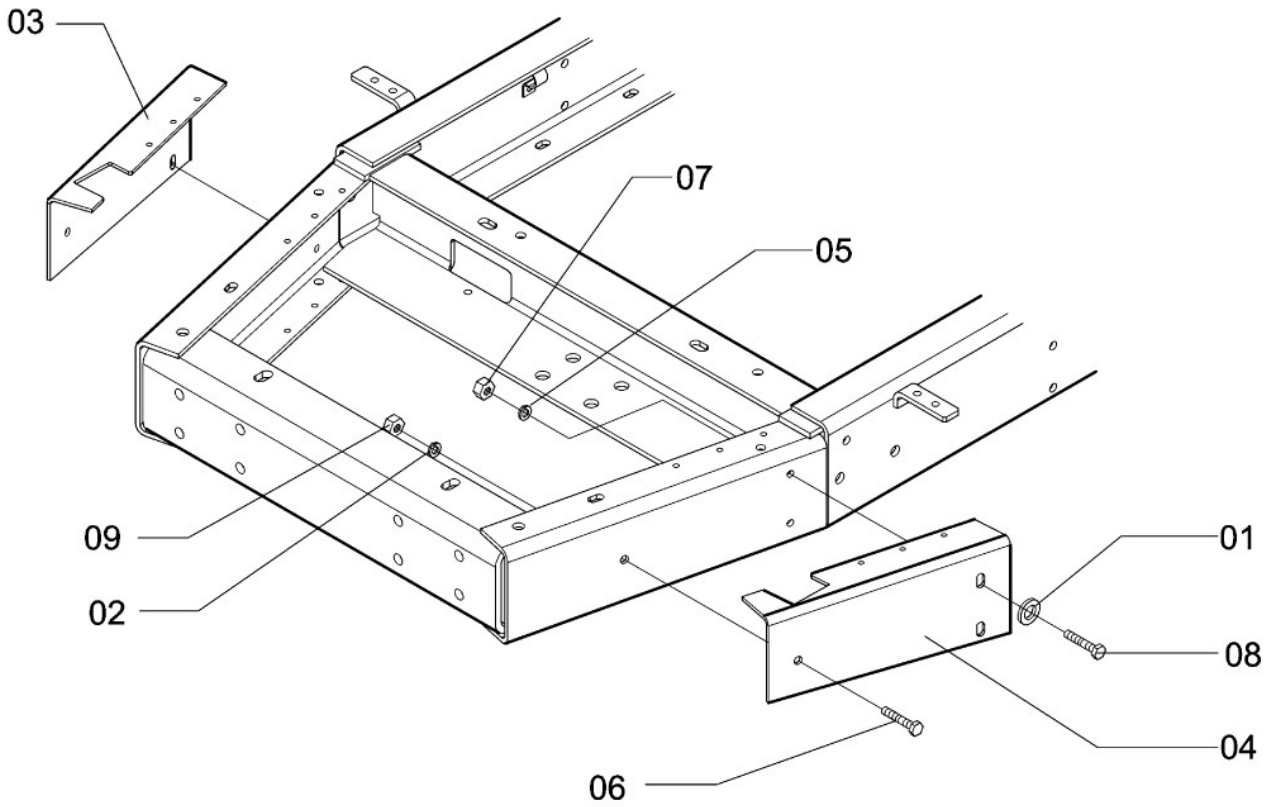
FLEXIBLE 3/4" BSP X 600



CD-262

Item	CODE	DESCRIPTION	Qty.	Item	CODE	DESCRIPTION	Qty.
00	479287	Flexible 3/4" BSP x 600	1				
01	758490	Hose MBP -12 Ø 3/4" x 600	1				
02	567453	Quick fitting 3/4"	1				
03	423814	Clamp D22-32 - stainless steel	4				
04	437822	Chain 120 mm	1				
05	440982	O-ring OR1-117	1				
06	622969	Double ring ø 22 x 26 x 3	2				
07	636399	Quick fitting clamp	1				

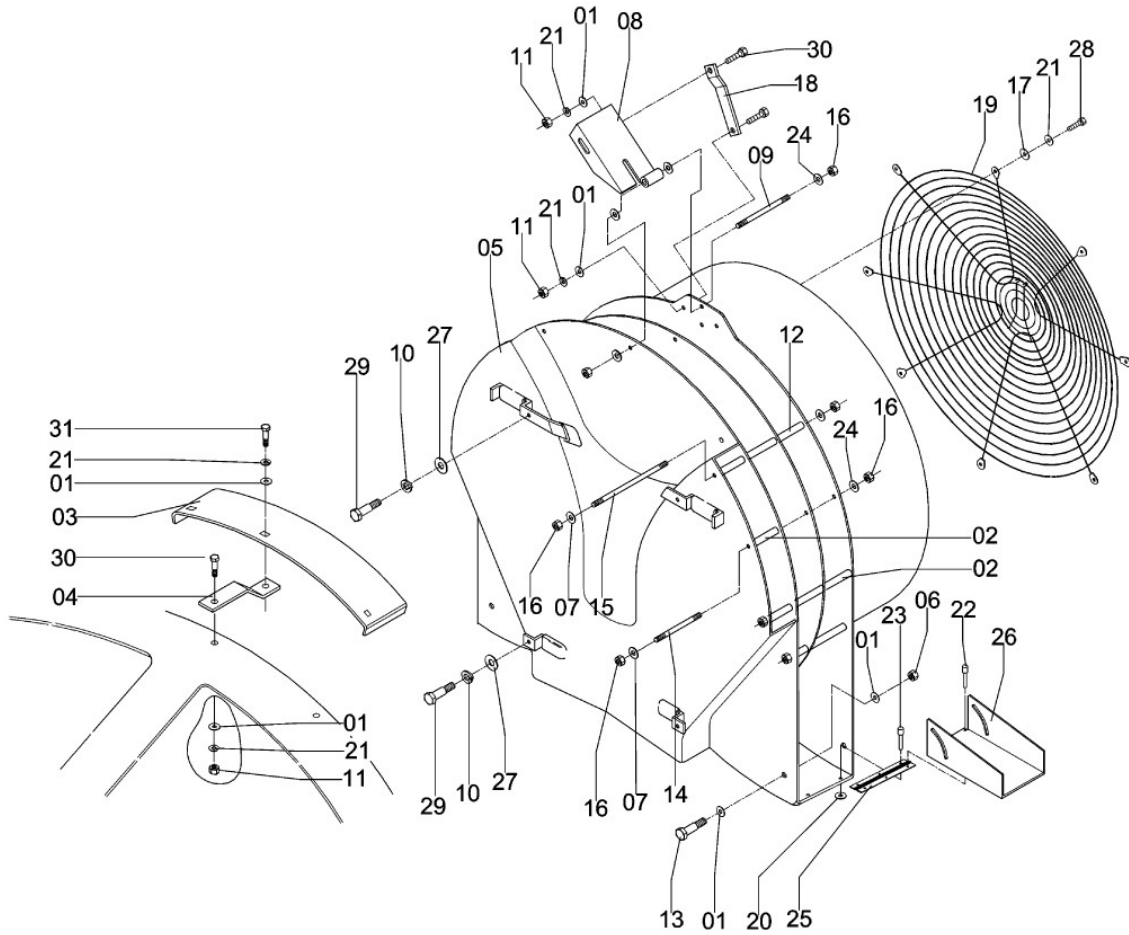
ASSEMBLY FOR 90-LITER HOOD SUPPORT



C-83

Item	CODE	DESCRIPTION	Qty.	Item	CODE	DESCRIPTION	Qty.
00	376137	Assembly for 90-Liter Hood Support	1				
01	013433	Flat washer	4				
02	209395	Lock washer M10	2				
03	361287	90-Liter Tank Support - Right	1				
04	361295	90-Liter Tank Support - Left	1				
05	519736	Lock washer M8	4				
06	757559	Hex. bolt M10 x 30 x 1.25	2				
07	810770	Hex. nut M-8 x 1.25	4				
08	829382	Hex head bolt M8 x 25 x 1.25	4				
09	907030	Hex. nut M10 x 1.25	2				

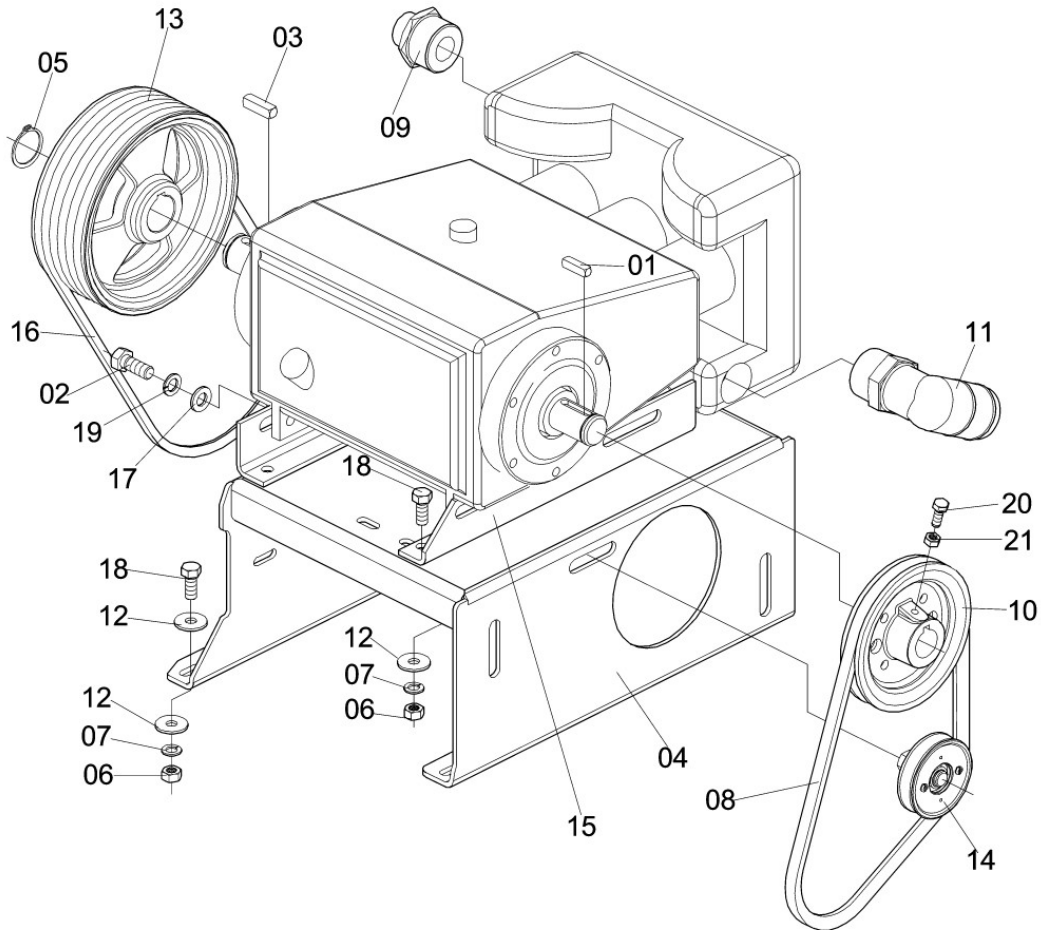
DEFLECTOR 3P AND COMPLEMENTS



DF-25

Item	CODE	DESCRIPTION	Qty.	Item	CODE	DESCRIPTION	Qty.
00	295550	Deflector 3P and complements	1	26	734640	Deflector vane	2
01	013433	Flat washer	10	27	818112	Flat washer 130 x 240 x 30	4
02	019414	Spacer bushing 87	8	28	820282	Bolt \varnothing 5/6" - 18 UNC x 1.3/4"	8
03	019430	Cover 90 x 170	1	29	829432	Bolt M12 x 35 x 1.75	4
04	019471	Support 5/16"	3	30	829382	Hex head bolt M8 x 25 x 1.25	7
05	037390	Deflector	1	31	637041	Bolt \varnothing 5/16" - 20 UNC x 5/8"	3
06	327445	Hex. nut \varnothing 3/8" - 16 UNC	4				
07	109678	Flat washer 105 x 254 x 12.4	8				
08	204560	Adjustable flap	2				
09	204750	Stud bolt \varnothing 3/8" x 245	3				
10	209163	Lock washer M12	4				
11	221648	Nut M8 x 1.25 - stainless steel	7				
12	325050	Spacer bushing 95	10				
13	326587	Bolt 3/8" - 16 UNC x 1" (brass)	4				
14	327866	Stud bolt 3/8" - 16 UNC 145	2				
15	331140	Stud bolt \varnothing 3/8" x 335	4				
16	354464	Nut parlock 3/8" - 16 UNC	18				
17	420281	Flat washer 82 x 350 x 30	8				
18	427971	Support body	2				
19	430942	Fan Guard Scream.	1				
20	508515	Flat washer 41 x 127 x 12.1	6				
21	519736	Lock washer M8	18				
22	519769	Rivet Pop - \varnothing 4.0 x 10.2	6				
23	519785	Rivbet Pop	6				
24	624130	Flat washer 100 x 180 x 12	21				
25	655506	Vane hinge	2				

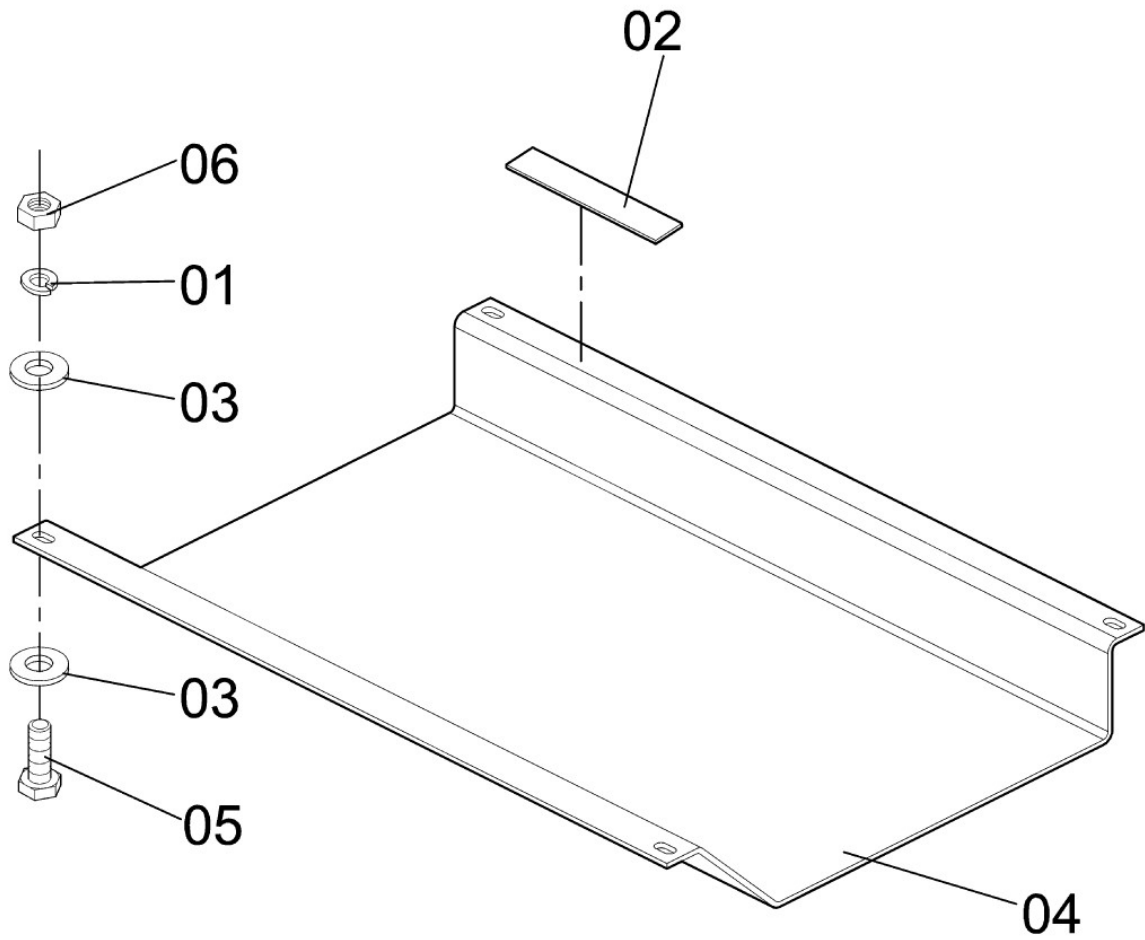
COMPLEMENTS FOR PUMP - JP-150



TMT-117

Item	CODE	DESCRIPTION	Qty.	Item	CODE	DESCRIPTION	Qty.
00	288753	Complements for pump - JP-150	1				
01	015305	Square key 5/16" x 30	1				
02	520205	Bolt 1/2" - 13 UNC x 1.1/4"	4				
03	108936	Square key 9,53 (3/8") x 35	1				
04	172361	Pump base	1				
05	203067	Snap ring for shaft \varnothing 35	1				
06	907030	Hex. nut M10 x 1.25	6				
07	209395	Lock washer M10	6				
08	916106	Belt A-35	1				
09	324848	Nipple 1.1/2" x 1"	1				
10	425470	Pulley \varnothing 146 x 1A	1				
11	613679	Hose fitting 2" x 1.1/2" BSP	1				
12	623884	Flat washer 105 x 210 x 20	10				
13	639120	Pulley \varnothing 200-6-3V	1				
14	645416	Tightening pulley assembly 78 (Shaft \varnothing 15 x 50,5)	1				
15	724161	Pump support (rear)	1				
16	768713	Trapeze belt	6				
17	818112	Flat washer 130 x 240 x 30	4				
18	757559	Hex. bolt M10 x 30 x 1.25	6				
19	908582	Lock washer 1/2"	4				
20	829374	Hex. head bolt M8 x 20 x 1.25 -cl 8.8	1				
21	810770	Hex. nut M8 x 1.25	1				

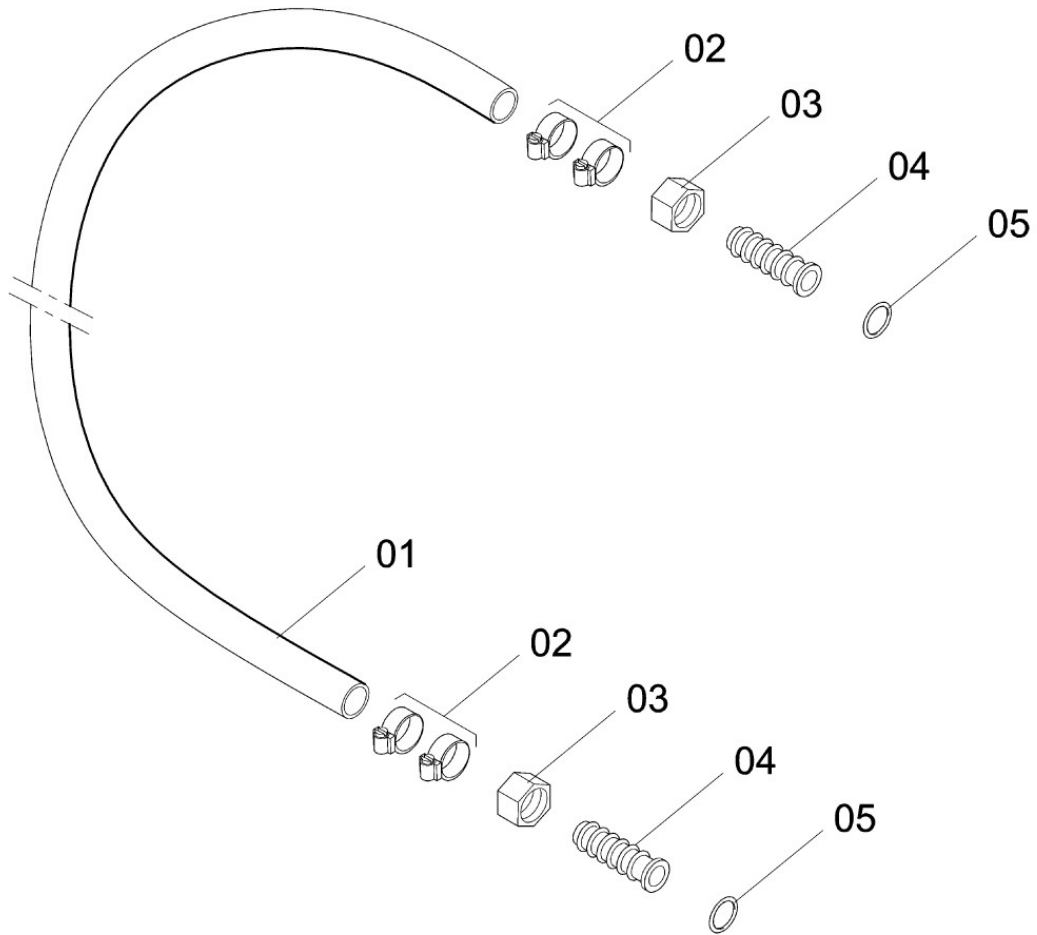
SUMP SHIELD



C-95

Item	CODE	DESCRIPTION	Qty.	Item	CODE	DESCRIPTION	Qty.
00	681957	Sump shield	1				
01	209395	Lock washer M10	4				
02	375311	Protector 3 0 x 160	1				
03	624130	Flat washer 100 x 180 x 12	8				
04	724211	Sump shield	1				
05	757559	Hex. bolt M10 x 30 x 1.25	4				
06	907030	Hex. nut M10 x 1.25	4				

PRESSURE HOSE 1" BSP X 450



CD-255

Item	CODE	DESCRIPTION	Qty.	Item	CODE	DESCRIPTION	Qty.
00	991059	Pressure hose 1" BSP x 450	1				
01	991067	Hose ø 1" x 385	1				
02	330969	Clamp D25-38 - stainless steel	4				
03	405753	Hex. nut 1" - 11 BSP	2				
04	819540	Hose fitting ø 1"	2				
05	402412	Lock washer ø 31 x 22.5 x 22.5/3.0	2				

"ARBUS 2000" LOGOTYPE

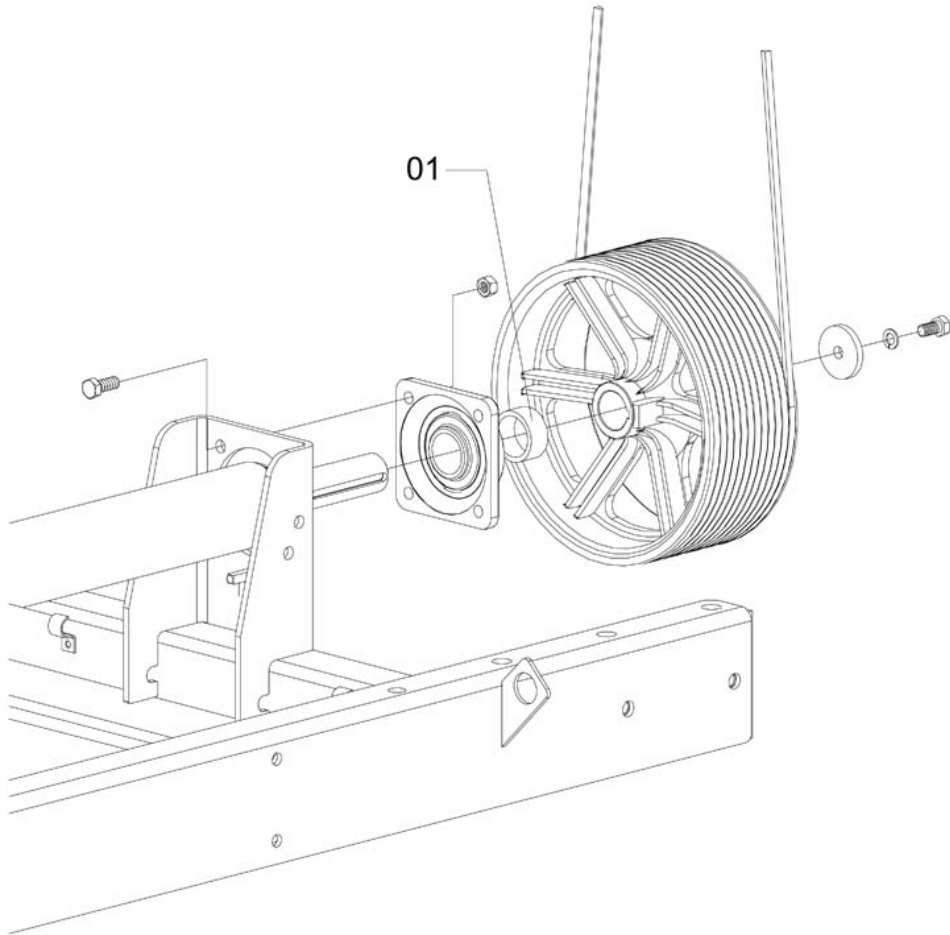


ADS-15

Item	CODE	DESCRIPTION	Qty.
00	678862	"ARBUS 2000" Logotype	1

Item	CODE	DESCRIPTION	Qty.
------	------	-------------	------

SPACER 55

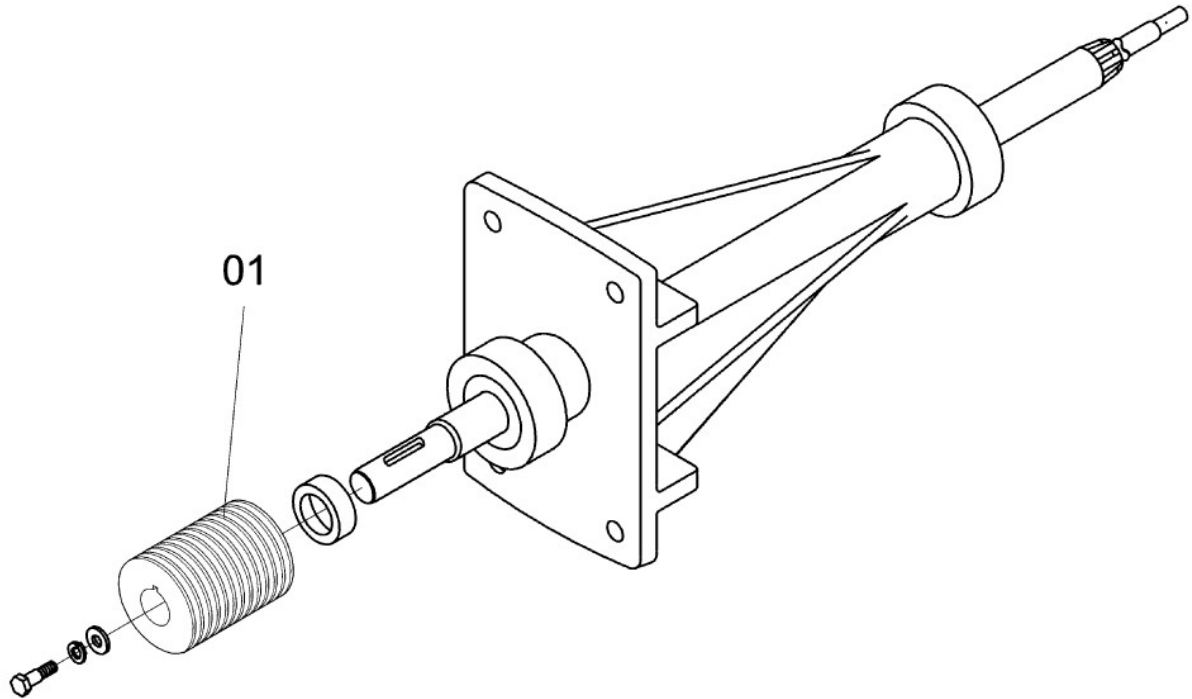


TMT-100

Item	CODE	DESCRIPTION	Qty.
00	175695	Spacer 55	1
01	175695	Spacer 55	

Item	CODE	DESCRIPTION	Qty.

PULLEY ç 80-12-3V (MACHINED PART)

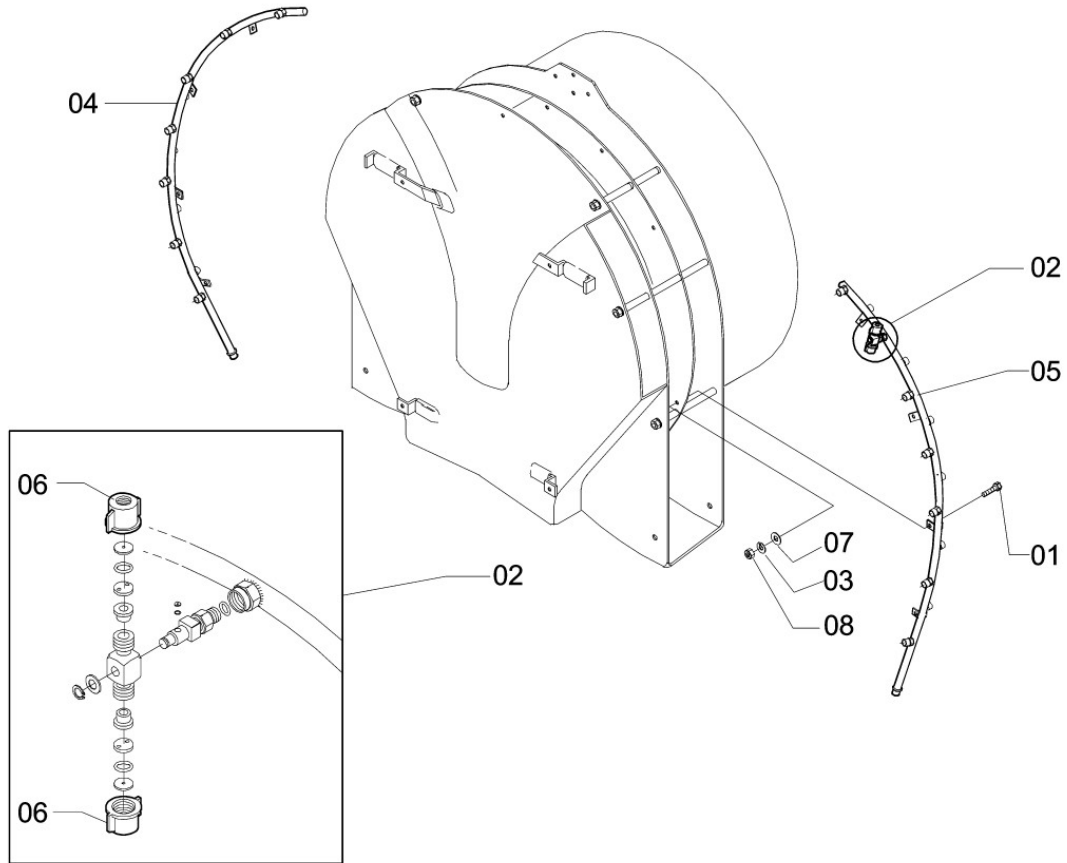


TMV-27

Item	CODE	DESCRIPTION	Qty.
00	551879	Pulley ç 80-12-3V (machined part)	1
01	551879	Pulley ç 80-12-3V (machined part)	1

Item	CODE	DESCRIPTION	Qty.

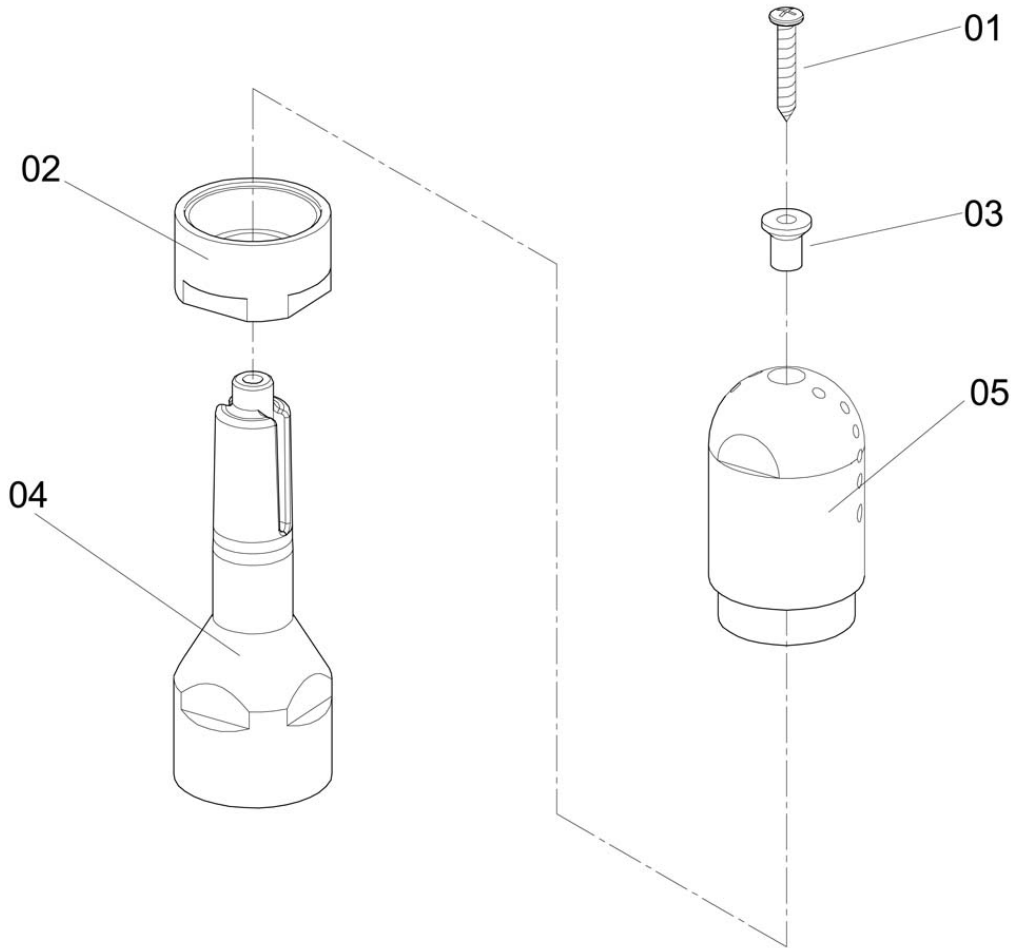
TUBING - 13 PB DOUBLE FOR 3P DEFLECTOR



CA-174

Item	CODE	DESCRIPTION	Qty.	Item	CODE	DESCRIPTION	Qty.
00	677476	Tubing - 13 PB double for 3P deflector	1				
01	295311	Screw M6 x 25 x 1,00 (stainless)	8				
02	340802	Double nozzle holder	1				
03	521666	Lock washer M6	8				
04	556076	Left nozzle branch	1				
05	556068	Right nozzle branch	1				
06	710590	Nozzle cap	52				
07	712554	Flat washer 70 x 180 x 12,4	8				
08	730309	Hex. nut M6 x 1.00 - Steel	8				

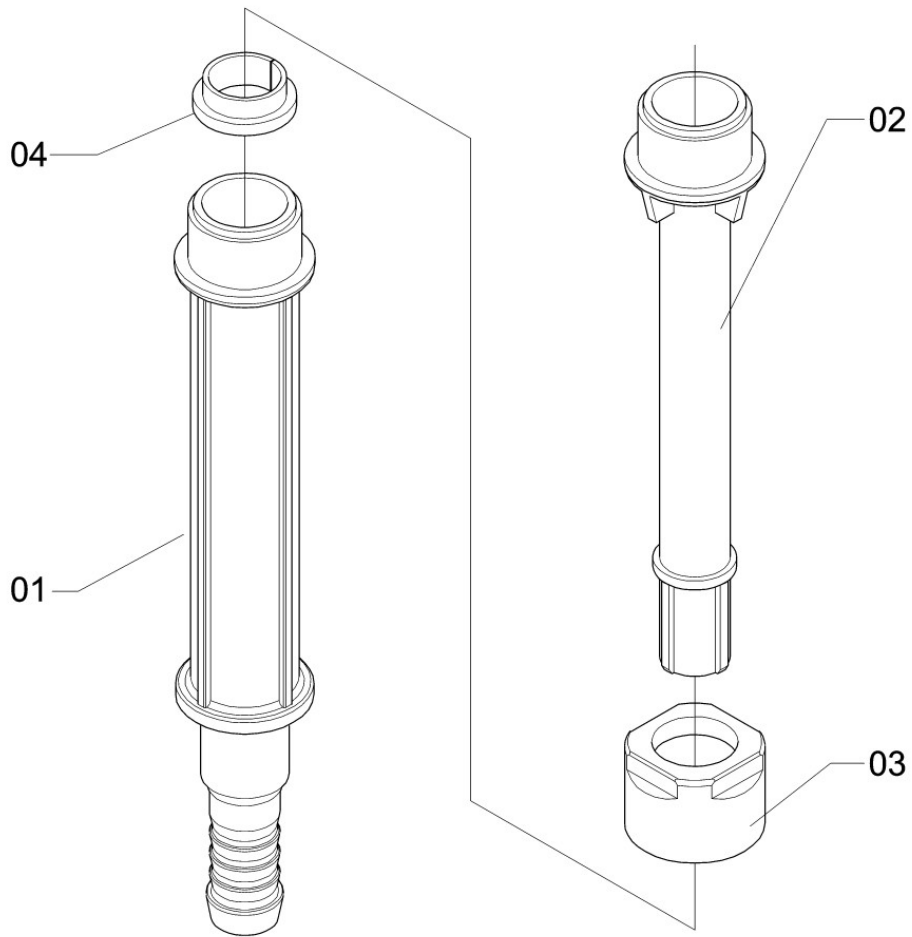
RINSE NOZZLE



KIT-75

Item	CODE	DESCRIPTION	Qty.	Item	CODE	DESCRIPTION	Qty.
00	071944	Rinse nozzle	1				
01	483628	Bolt 2.9 x 22	1				
02	059055	Nozzle nut	1				
03	061119	Bushing	1				
04	058909	Nozzle core	1				
05	060426	Nozzle body	1				

CHEMICAL CONTAINER RINSE NOZZLE ROD



KIT-76

Item	CODE	DESCRIPTION	Qty.
00	088237	Chemical container rinse nozzle rod	1
01	058834	Nozzle rod	1
02	083907	Rod extension	1
03	087882	Extension nut	1
04	134221	Lock ring	1

Item	CODE	DESCRIPTION	Qty.