

# J-600

English version

EDITION - 06/2007

CODE - 979122

## Parts catalog



**MÁQUINAS AGRÍCOLAS JACTO S.A.**

Rua Dr. Luiz Miranda, 1650

17580-000 - Pompéia - SP - Brasil

Tel.: +55 14 3405-2100 - Fax: +55 14 3452 1306

E-mail: [export@jacto.com.br](mailto:export@jacto.com.br)

Home page: <http://www.jacto.com.br>



# J-600

EQUIPMENT	PAGE
JS-600 (EXPORT CHT).....	4

**JS-600 (EXPORT CHT)  
(CODE: 339259)**

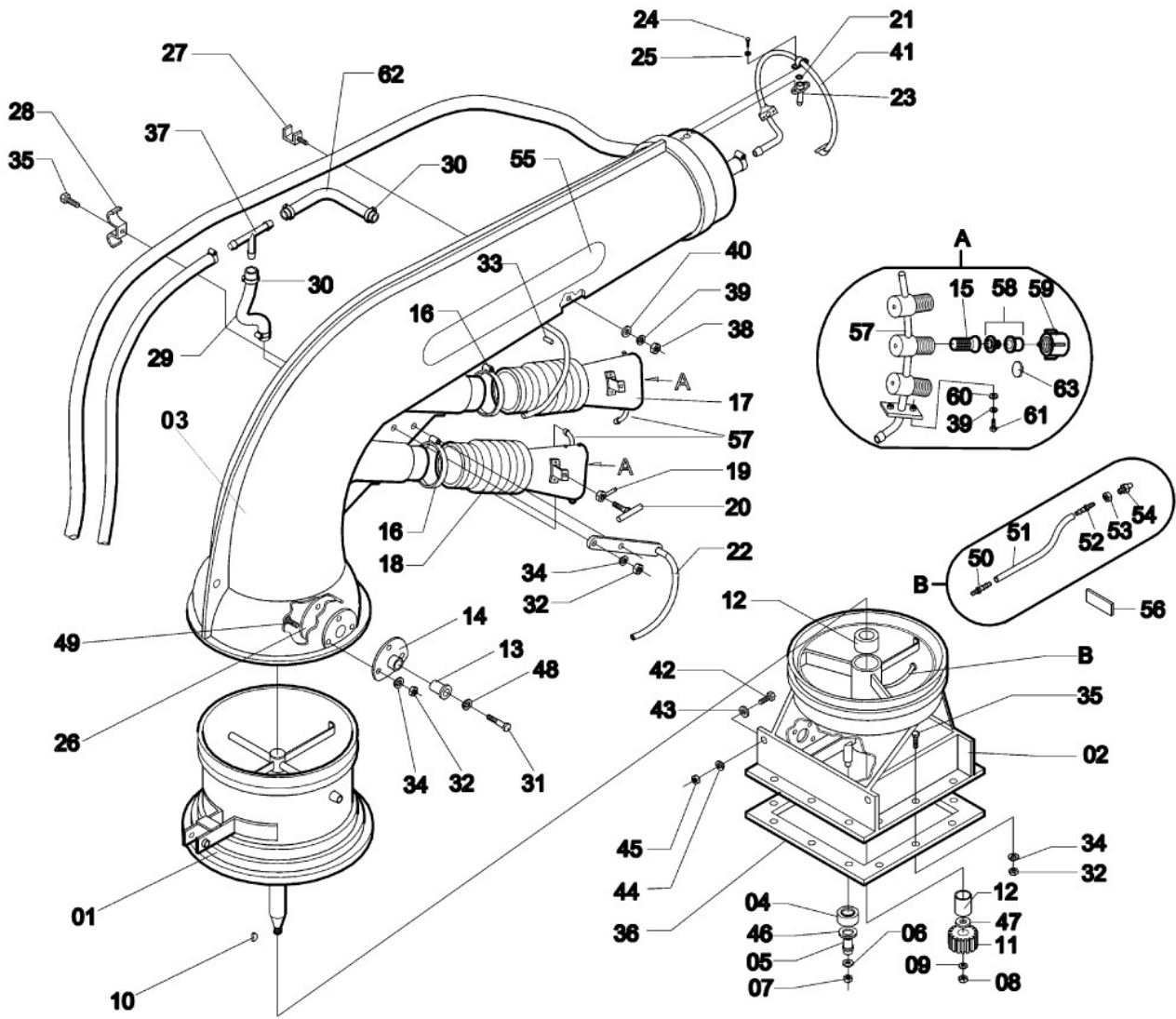
ENTIRE ASSEMBLIES	PAGE
15-LITER TANK ASSEMBLY	40 40 40
3-WAY REGULATING VALVE	24 24 24 24 24 24
ACCESSORIES BOX FOR "JATÃO SUPER 600"	31 31 45 31
APPLICATION ASSEMBLY	10 10 6 6 10 10
CENTRIFUGAL PUMP BC-1143 (DUAL STAGE - SERIES 4)	13 13 13 13 13 13
CHASSIS AND COMPLEMENTS	28 28 14 14 28 28
CHEMICAL CIRCUIT	29 29 8 8 29 29
CHEMICAL CONTAINER RINSE NOZZLE KIT	39 39 39 39
CHEMICAL CONTAINER RINSE NOZZLE ROD	44 44 44 44
DIRECTIONAL VALVE	37 37 37 37
DRIVE TRANSMISSION AND COMPLEMENTS	34 34 19 19 34 34
DUCT ACTUATION CIRCUIT	15 15 15 15 15 15
FAN	35 35 20 20 35 35

**JS-600 (EXPORT CHT)  
(CODE: 339259)**

Continuation

ENTIRE ASSEMBLIES	PAGE
FILLING HOSE	12 12 12 12
FILTER FVS 102	36 36 21 21 36 36
FLOW RATE REGULATING VALVE	22 22 22 22 22 22
GEARBOX JACTO 5	30 30 26 30 30
JACTO GEARBOX 3	16 16
LEVEL INDICATOR 5	33 33 33 33
LID WITH BREATHER	25 25 25 25 25 25
MECHANICAL AGITATOR III	32 32 18 18 18 18
PTO SHAFT 500	27 27 17 17 27 17 27 17 27
RINSE NOZZLE	43 43 43 43
STICKER: "JACTO" - CANNON SPRAYER E	42 42 42 42
STICKER: "JACTO" CANNON SPRAYER D	41 41 41 41
TIGHTENING PULLEY ASSEMBLY 78 (SHAFT Ø 15 X 50,5)	38 38
TIGHTENING PULLEY ASSEMBLY 78 X 1A (PE-78 I)	46 46
TIGHTENING PULLEY	23 23

# APPLICATION ASSEMBLY



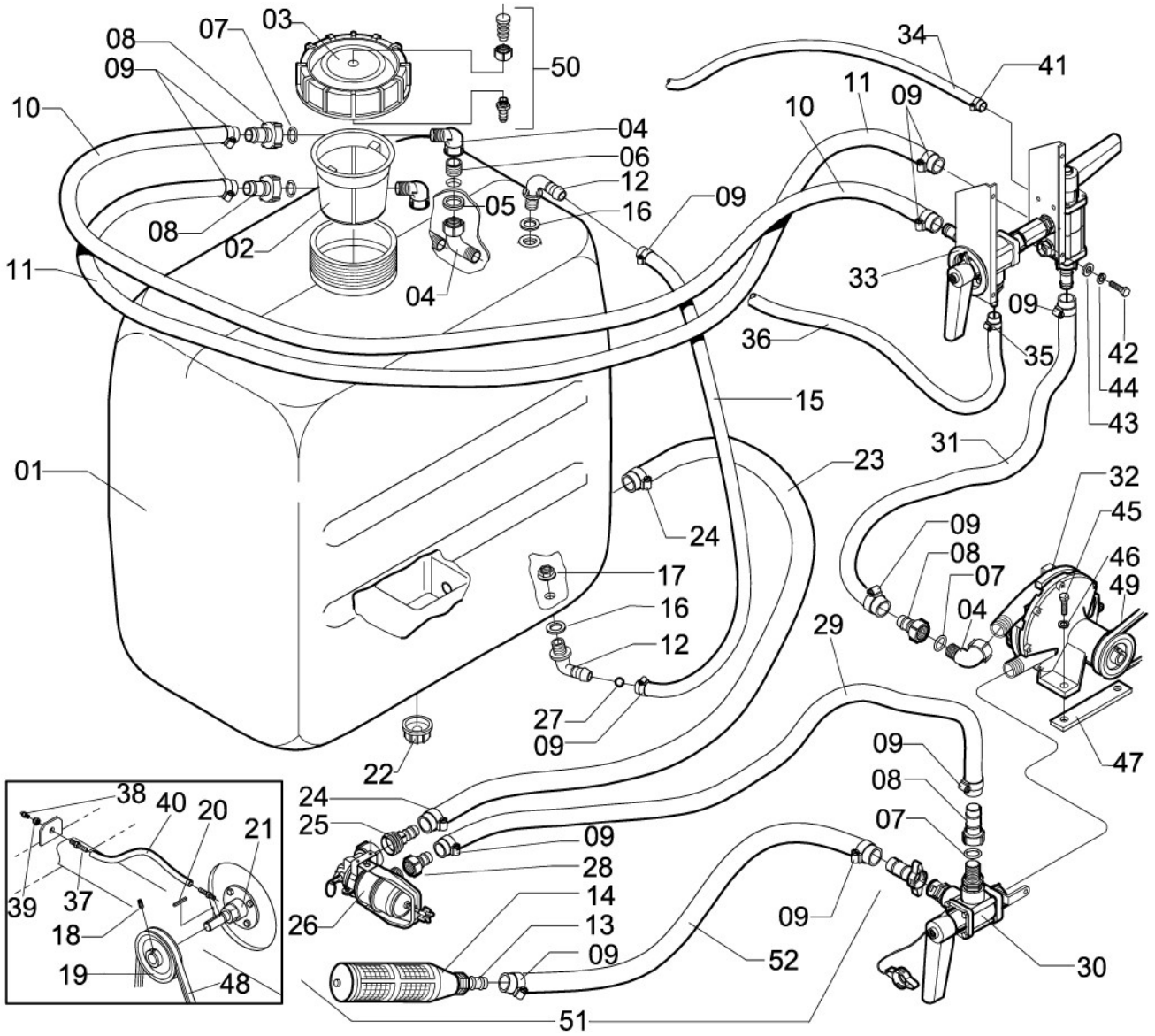
CA-40

## APPLICATION ASSEMBLY

Continuation

Item	CODE	DESCRIPTION	Qty.	Item	CODE	DESCRIPTION	Qty.
00	445874	Application assembly	1	60	707182	Flat washer 63 x 140 x 9.1	4
01	519033	Intermediate duct	1	61	910109	Screw ø 1/4" - 20 UNC x 1/2"	4
02	519199	Fixed duct	1	62	919998317		m
03	332429	Outlet duct	1	63	519645	Blank disk	3
04	520734	Bearing no. 6002	1				
05	519330	Bushing	1				
06	214452	Flat washer 100 x 180 x 6	1				
07	108761	Nut 3/8" - 16 UNC]	1				
08	521021	Nut M-16 X 1.50 DODI LOC	1				
09	707570	Flat washer 165 x 305 x 19	1				
10	519348	Half moon key 6 x 9 x 22	1				
11	519355	Gear	1				
12	519322	Bushing	2				
13	620682	Bushing 15.9 x 28	2				
14	620633	External bearing	2				
15	529297	Nozzle filter (40 mesh)	6				
16	332635	Clamp D102-121 - stainless steel	2				
17	332619	Upper outlet hose	1				
18	337972	Lower outlet hose	1				
19	823682	Lock nut 5/16" - 18 UNC x 28	2				
20	944439	Locking screw 5/16" - 18 UNC x 28	2				
21	411884	O-ring ORI - 111	3				
22	332569	Lower slide	1				
23	519603	Deflector nozzle 30°	3				
24	202382	Screw ø 3/16" UNC x 3/4"	6				
25	520676	Lock washer M5	6				
26	620674	Internal bearing	2				
27	519363	Single fastener	1				
28	519389	Double fastener	1				
29	919998317		m				
30	812404	Clamp 12-16	4				
31	912717	Bolt 3/8" x 16 UNC x 1.3/4"	2				
32	912758	Hex. nut 5/16" - 18 UNC	6				
33	626200	Rivet "POP" 6.2 x 21.6	3				
34	519736	Lock washer M8	1				
35	912667	Bolt 5/16" x 18 UNC x 7/8	13				
36	519702	Packing 32 x 325 x 3.20	4				
37	409169	Tee fitting for hose ø 3/8"	1				
38	912741	Nut ø 1/4" - 20 UNC	1				
39	910117	Lock washer ø 1/4"	5				
40	413468	Flat washer 68 x 190 x 12	1				
41	521617	Upper nozzle branch	1				
42	912709	Bolt ø 3/8" - 16 UNC x 1"	2				
43	422436	Flat washer 104 x 254 x 19	2				
44	908566	Lock washer ø 3/8"	2				
45	518761	Hex. nut ø 3/8"	2				
46	705129	Flat washer 152 x 272 x 9	1				
47	544932	Flat washer 260 x 420 x 1.4	2				
48	908566	Lock washer ø 3/8"	2				
49	833814	Screw ø 5/16" UNC x 1"	6				
50	426205	Male fitting for hose ø 1/4"	1				
51	625269	Hose ø 6.35 - 1/4" x 110	1				
52	426189	Grease nipple fitting	1				
53	916627	Nut 7/16" - 14 UNC	1				
54	910463	Grease nipple 1/4" - 28 UNF	1				
55	219691	Sticker: "Jatão Super 600"	2				
56	625202	Sticker: "Lubricate periodically"	1				
57	340505	Upper nozzle branch II	2				
58	000026	Cone nozzle JA-2 (black)	6				
59	915744	Screw cap	6				

# CHEMICAL CIRCUIT



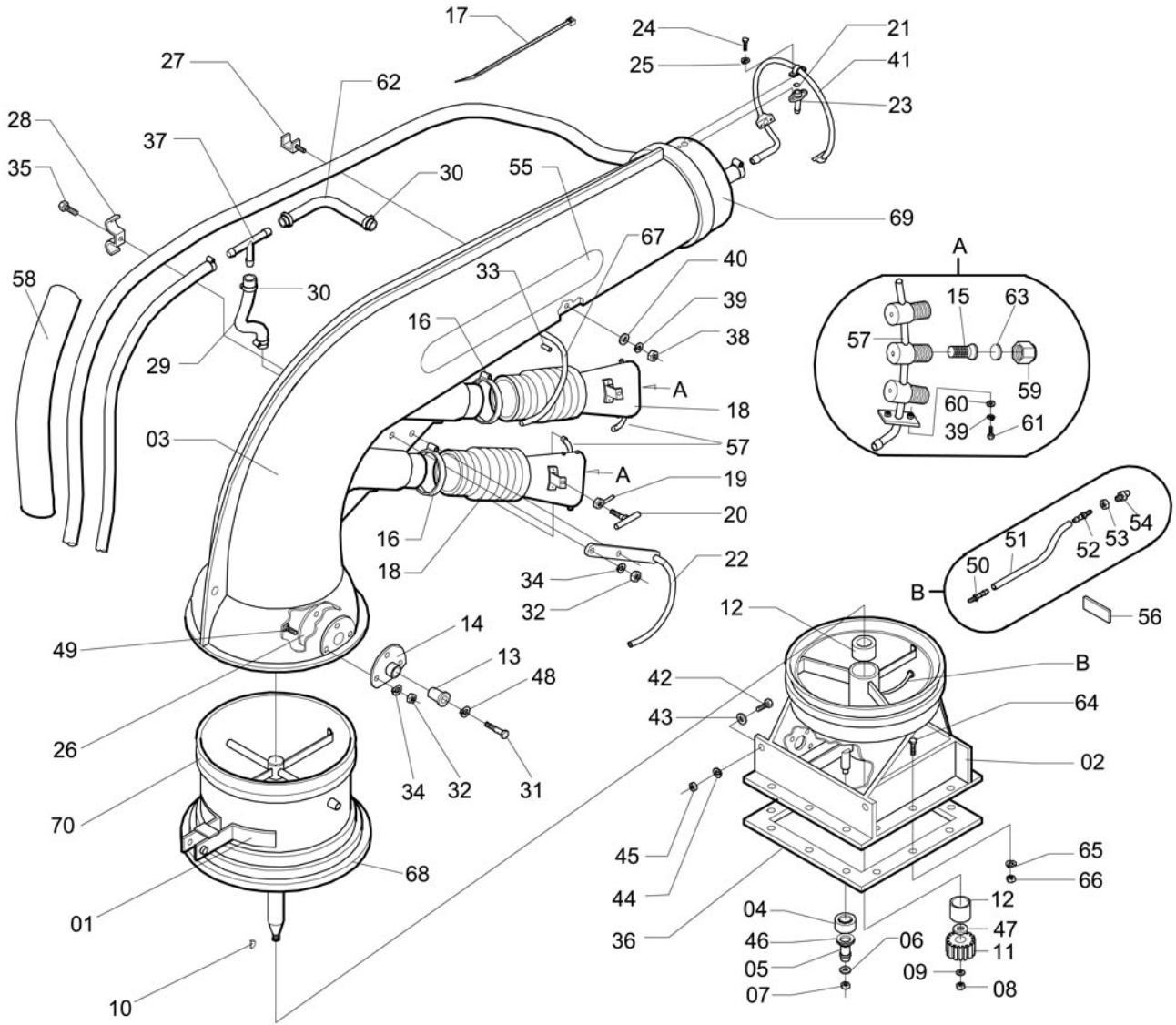
CD-49

## CHEMICAL CIRCUIT

Continuation

Item	CODE	DESCRIPTION	Qty.	Item	CODE	DESCRIPTION	Qty.
00	333773	Chemical circuit	1				
01	948224	600-liter tank	1				
02	613810	Plastic strainer 190	1				
03	037374	Tank lid	1				
04	902817	Male/female elbow 1" BSP x 90 degrees	5				
05	212472	Packing 45 x 33.5	2				
06	910000	Nipple 1" BSP	2				
07	402412	Lock washer $\phi$ 31 x 22.5 x 22.5/3.0	4				
08	111518	Hose fitting 1" with nut 1"	4				
09	423814	Clamp D22-32 - stainless steel	10				
10	919995809	Pressure hose PVC KM $\phi$ 1"	m				
11	919995809	Pressure hose PVC KM $\phi$ 1"	m				
12	428730	Elbow 3/4" x 1/2" BSP -14 F.P.P.	2				
13	404459	Hose fitting 1" x 1" BSP	1				
14	323873	Filtering valve assembly	1				
15	915629	Hose 3/4" x 410 (supplied per m.)	m				
16	428797	Seal washer $\phi$ 40 x 21 x 2.0	2				
17	428748	Flanged nut 1/2" BSP -14 F.P.P.	2				
18	901363	Allen bolt 1/4" - 20 UNC x 1/2"	1				
19	517763	Pulley 119 - 1A	1				
20	405597	Square key 3/16" x 28	1				
21	517573	Mechanical agitator III	1				
22	900761	Drain cap $\phi$ 67	1				
23	111948	Protective hose 1.1/4"	m				
24	911115	Clamp D32-44 - stainless steel	2				
25	005926	Plastic extension 1.1/4"	1				
26	613596	Filter FVS 102	1				
27	324764	Float $\phi$ 14	1				
28	015438	Hose fitting $\phi$ 1" with nut	1				
29	919995809	Pressure hose PVC KM $\phi$ 1"	m				
30	517821	3-way regulating valve	1				
31	919995809	Pressure hose PVC KM $\phi$ 1"	m				
32	337964	Centrifugal pump BC-1143 (dual stage - series 4)	1				
33	333690	Flow rate regulating valve	1				
34	919998317		m				
35	107664	Clamp D14-22 - stainless steel	2				
36	919998318		m				
37	426189	Grease nipple fitting	1				
38	910463	Grease nipple 1/4" - 28 UNF	1				
39	916627	Nut 7/16" - 14 UNC	1				
40	426213	Hose 1/4" x 400	m				
41	812404	Clamp 12-16	2				
42	441030	Bolt $\phi$ 1/4" - 20 UNC x 5/8"	4				
43	413468	Flat washer 68 x 190 x 12	4				
44	910117	Lock washer $\phi$ 1/4"	6				
45	912709	Bolt $\phi$ 3/8" - 16 UNC x 1"	2				
46	908566	Lock washer $\phi$ 3/8"	2				
47	520221	Bolt guide	1				
48	913624	Trapeze belt A 38	1				
49	907592	Trapezoid belt A-45	1				
50	117150	Breather assembly	1				
51	216226	Filling hose	1				
52	919995809	Pressure hose PVC KM $\phi$ 1"	m				
53	521385	Sticker: Level indicator	1				

# APPLICATION ASSEMBLY



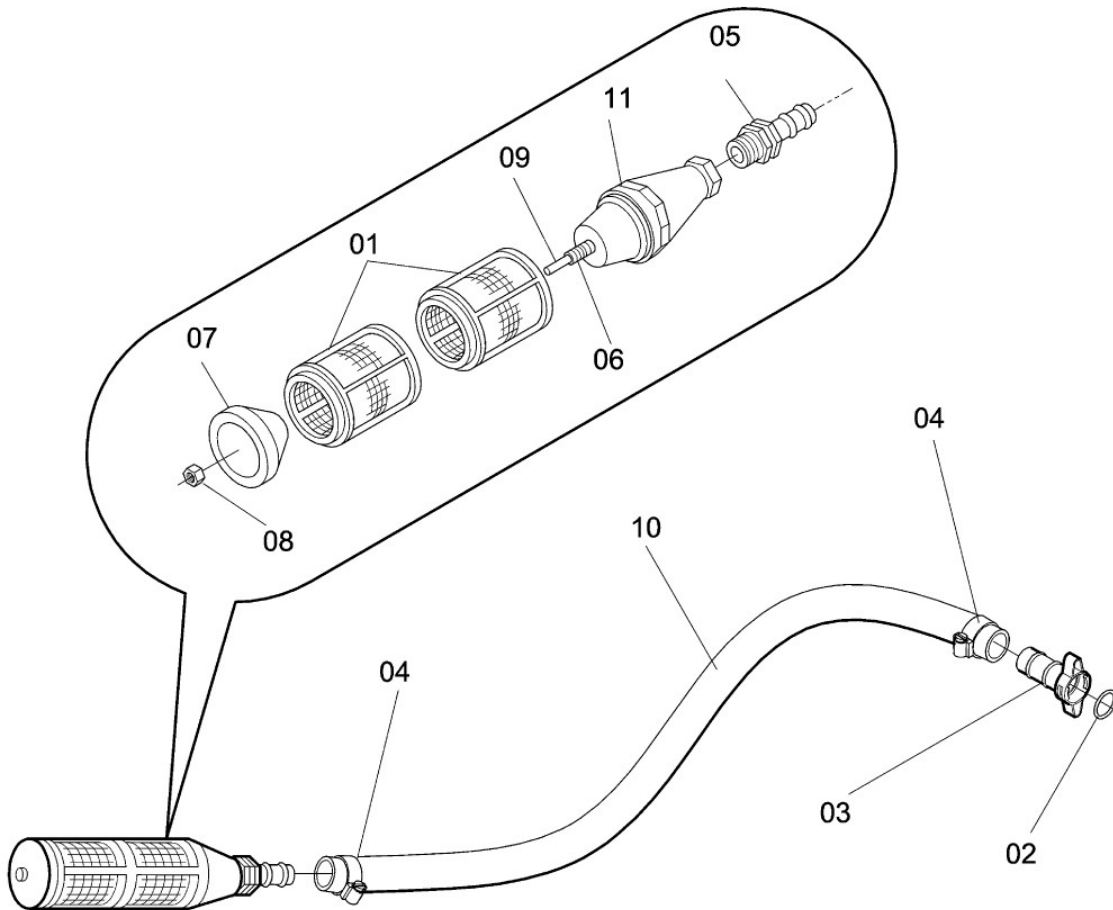
CA-114

## APPLICATION ASSEMBLY

Continuation

Item	CODE	DESCRIPTION	Qty.	Item	CODE	DESCRIPTION	Qty.
00	445874	Application assembly	1	59	039545	Hex. nut $\varnothing$ 11/16" - 16 UNC	6
01	519033	Intermediate duct	1	60	707182	Flat washer 63 x 140 x 9.1	4
02	519199	Fixed duct	1	61	910109	Screw $\varnothing$ 1/4" - 20 UNC x 1/2"	4
03	332429	Outlet duct	1	62	216424	Hose $\varnothing$ 9,60 3/8" x 510 PT 80	1
04	520734	Bearing no. 6002	1	63	519645	Blank disk	3
05	519330	Bushing	1	64	829382	Hex head bolt M8 x 25 x 1.25	14
06	214452	Flat washer 100 x 180 x 6	1	65	519736	Lock washer M8	14
07	108761	Nut 3/8" - 16 UNC]	1	66	810770	Hex. nut M-8 x 1.25	14
08	521021	Nut M-16 X 1.50 DODI LOC	1	67	332478		1
09	881243	Flat washer 170 x 300 x 19	1	68	519140		1
10	519348	Half moon key 6 x 9 x 22	1	69	519421		1
11	519355	Gear	1	70	519173		1
12	519322	Bushing	2				
13	620682	Bushing 15.9 x 28	2				
14	620633	External bearing	2				
15	439083	Nozzle filter (50 mesh)	6				
16	332635	Clamp D102-121 - stainless steel	2				
17	326710	Hose tie	1				
18	337972	Lower outlet hose	2				
19	823682	Lock nut 5/16" - 18 UNC x 28	2				
20	944439	Locking screw 5/16" - 18 UNC x 28	2				
21	411884	O-ring ORI - 111	3				
22	332569	Lower slide	1				
23	519603	Deflector nozzle 30°	3				
24	202382	Screw $\varnothing$ 3/16" UNC x 3/4"	6				
25	520676	Lock washer M5	6				
26	620674	Internal bearing	2				
27	519363	Single fastener	1				
28	519389	Double fastener	1				
29	421107	Hose 3/8" x 330	1				
30	063370	Clamp D 12-16 - stainless steel	4				
31	912717	Bolt 3/8" x 16 UNC x 1.3/4"	2				
32	912758	Hex. nut 5/16" - 18 UNC	6				
33	626200	Rivet "POP" 6.2 x 21.6	3				
34	519736	Lock washer M8	1				
35	912667	Bolt 5/16" x 18 UNC x 7/8	1				
36	519702	Packing 32 x 325 x 3.20	4				
37	409169	Tee fitting for hose $\varnothing$ 3/8"	1				
38	912741	Nut $\varnothing$ 1/4" - 20 UNC	1				
39	910117	Lock washer $\varnothing$ 1/4"	5				
40	413468	Flat washer 68 x 190 x 12	1				
41	521617	Upper nozzle branch	1				
42	829515	Hex. bolt M10 x 30 x 1.5	4				
43	422436	Flat washer 104 x 254 x 19	2				
44	209395	Lock washer M10	4				
45	209205	Hex. nut M10 x 1,50	4				
46	705129	Flat washer 152 x 272 x 9	1				
47	544932	Flat washer 260 x 420 x 1.4	2				
48	908566	Lock washer $\varnothing$ 3/8"	2				
49	833814	Screw $\varnothing$ 5/16" UNC x 1"	6				
50	426205	Male fitting for hose $\varnothing$ 1/4"	1				
51	625269	Hose $\varnothing$ 6.35 - 1/4" x 110	1				
52	426189	Grease nipple fitting	1				
53	916627	Nut 7/16" - 14 UNC	1				
54	910463	Grease nipple 1/4" - 28 UNF	1				
55	049379	Sticker: "Jacto" Cannon Sprayer D	1				
55A	049387	Sticker: "Jacto" - Cannon Sprayer E	1				
56	625202	Sticker: "Lubricate periodically"	1				
57	332536	Lower nozzle branch	2				
58	801167	Protective hose 2" x 400	1				

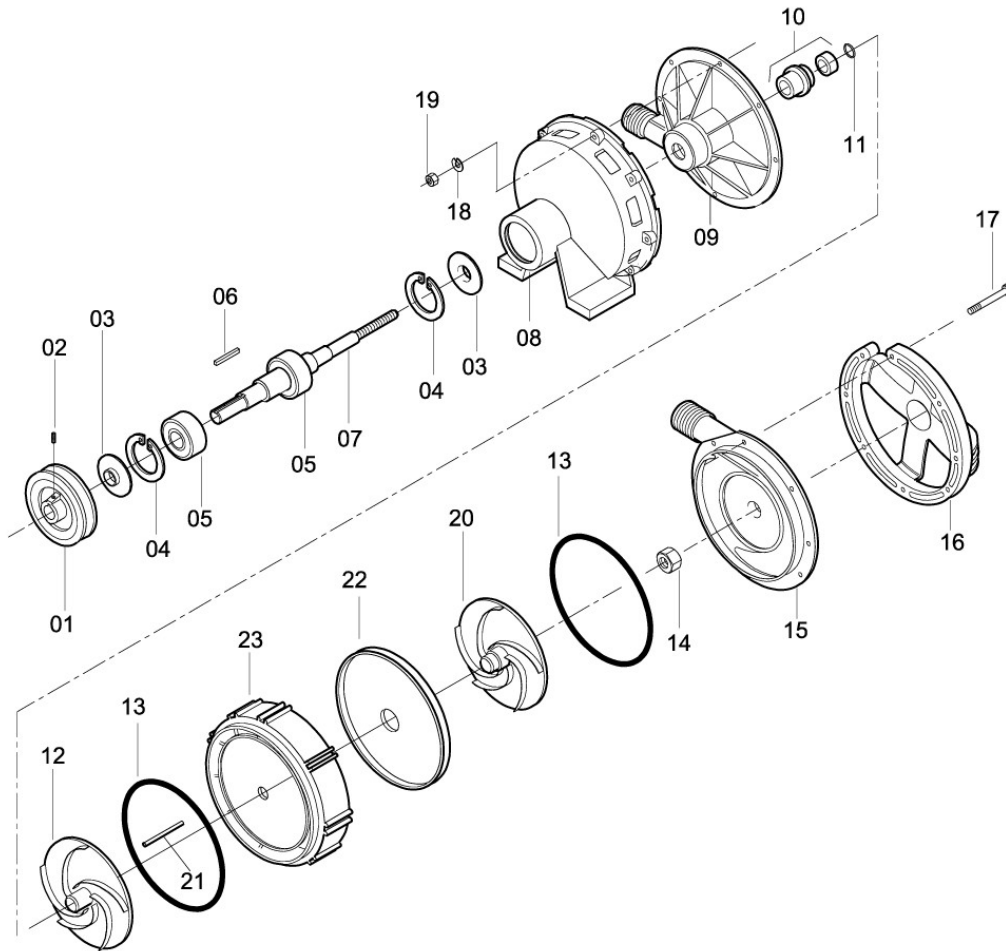
## FILLING HOSE



A-14

Item	CODE	DESCRIPTION	Qty.	Item	CODE	DESCRIPTION	Qty.
00	216226	Filling hose	1				
01	012476	Filtering element	2				
02	206185	Packing ring ø 32.8 x 6.00	1				
03	206193	Extension 1"	1				
04	330969	Clamp D25-38 - stainless steel	2				
05	404459	Hose fitting 1" x 1" BSP	1				
06	537332	Element stud bolt	1				
07	537340	Cover - filling hose	1				
08	537357	Hex. nut 7/32" BSW	1				
09	537365	Pin 120	1				
10	813253	Hose Ø 25,4 (1") X 5000	1				
11	909986	Foot valve	1				

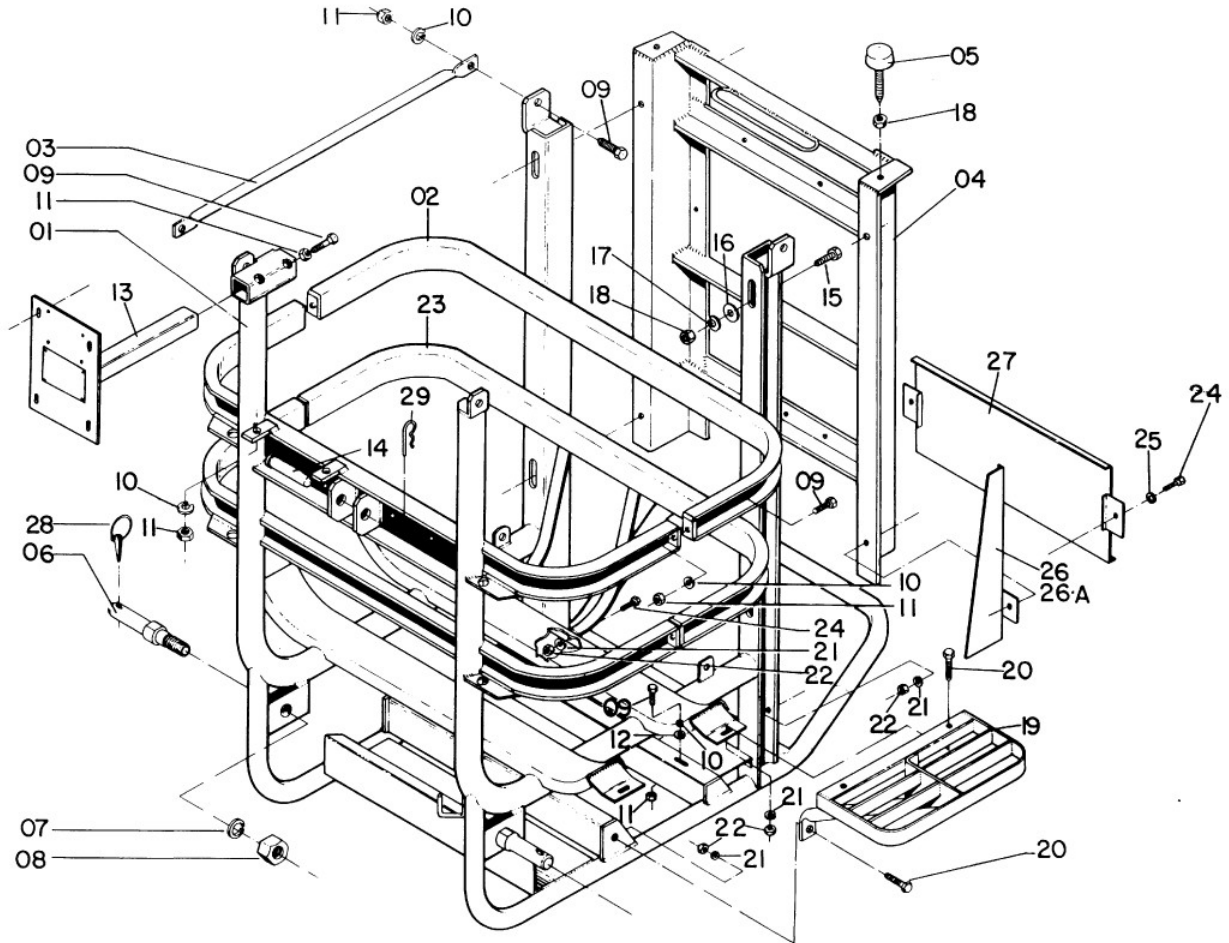
## CENTRIFUGAL PUMP BC-1143 (DUAL STAGE - SERIES 4)



**B-19**

Item	CODE	DESCRIPTION	Qty.	Item	CODE	DESCRIPTION	Qty.
00	337964	Centrifugal pump BC-1143 (dual stage - series 4)	1				
01	704874	Pulley $\varnothing$ 90-1A	1				
02	901363	Allen bolt 1/4" - 20 UNC x 1/2"	1				
03	707067	Bearing protector	2				
04	901371	Snap ring for hole $\varnothing$ 47	2				
05	901389	Fixed bearing no. 6204 DDU	2				
06	901355	Square key 3/16" x 22	1				
07	340406	Pump shaft	1				
08	019182	Pump housing	1				
09	703132	Pump body I	1				
10	918763	Seal and seat	1				
11	901405	O-ring ORI-014	1				
12	340372	Pump rotor I	1				
13	901413	O-ring ORI-258	2				
14	815829	Hex. nut $\varnothing$ 3/8" - 16 UNC	1				
15	703140	Pump body II	1				
16	901850	Pump cover	1				
17	901967	Screw 1/4" - 20 UNC x 2"	8				
18	910117	Lock washer $\varnothing$ 1/4"	8				
19	912741	Nut $\varnothing$ 1/4" - 20 UNC	8				
20	901348	Pump rotor	1				
21	340414	Square key 3 x 20	1				
22	054304	Output Separator	1				
23	973396	Output spacer	1				

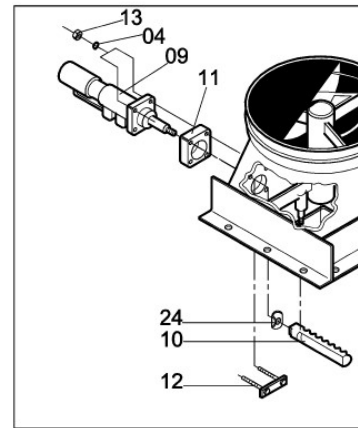
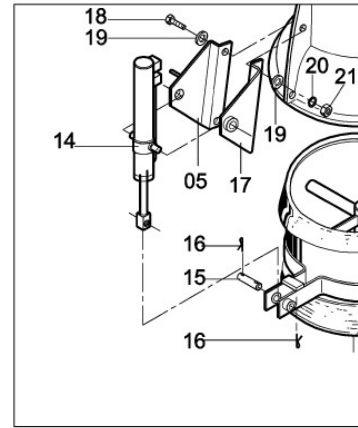
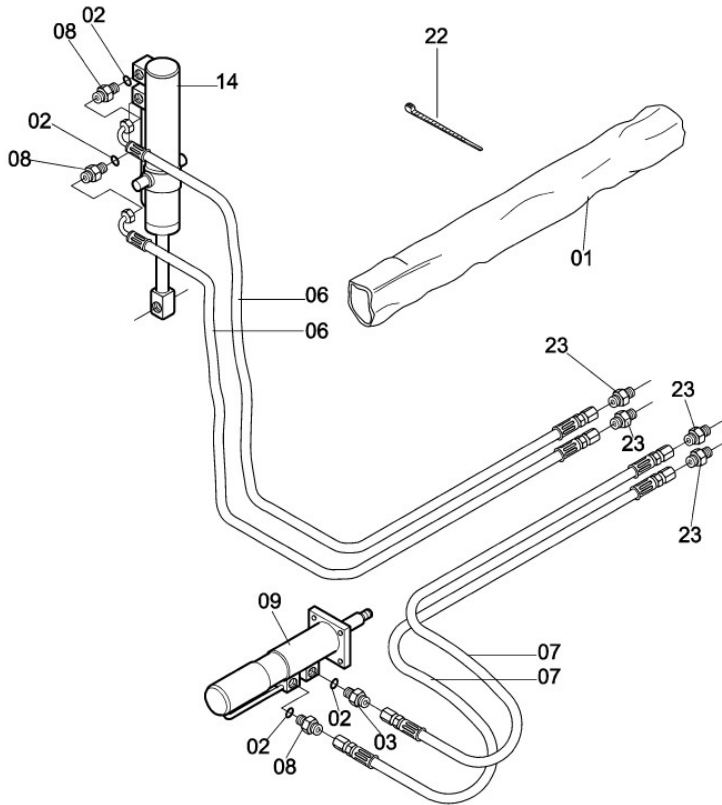
## CHASSIS AND COMPLEMENTS



**C3P-4**

Item	CODE	DESCRIPTION	Qty.	Item	CODE	DESCRIPTION	Qty.
00	354779	Chassis and complements	1	26	018390	Left side guard plate	1
01	516948	Chassis body	1	26A	018366	Right side guard plate	1
02	517235	Upper half-strap	1	27	018424	Pulleys protector	1
03	517250	Angle brace 850	2	28	812636	Universal lock pin 7/16"	1
04	517268	Fan support	1	29	517409	Cotter pin 3/16"	1
05	517359	Tightening screw 1/2" - 13 UNC x 78	2				
06	716043	Lower coupling pin	2				
07	910075	Lock washer ø 1"	2				
08	910430	Nut ø 1" - 8 UNC	2				
09	912709	Bolt ø 3/8" - 16 UNC x 1"	10				
10	908566	Lock washer ø 3/8"	10				
11	912774	Hex. nut 3/8" - 16 UNC	14				
12	422436	Flat washer 104 x 254 x 19	2				
13	732180	Control valve bracket	1				
14	517383	Upper coupling pin 1" x 95	1				
15	428573	Bolt ø 1/2" - 13 UNC x 1.1/4"	4				
16	916148	Flat washer 132 x 404 x 47.5	4				
17	908582	Lock washer 1/2"	4				
18	326280	Nut ø 1/2" UNC	4				
19	520791	Platform	1				
20	912667	Bolt 5/16" x 18 UNC x 7/8	3				
21	519736	Lock washer M8	7				
22	912758	Hex. nut 5/16" - 18 UNC	7				
23	625111	Lower half-strap	1				
24	913608	Hex. head bolt 5/16" - 18 UNC x 3/4"	4				
25	013433	Flat washer	2				

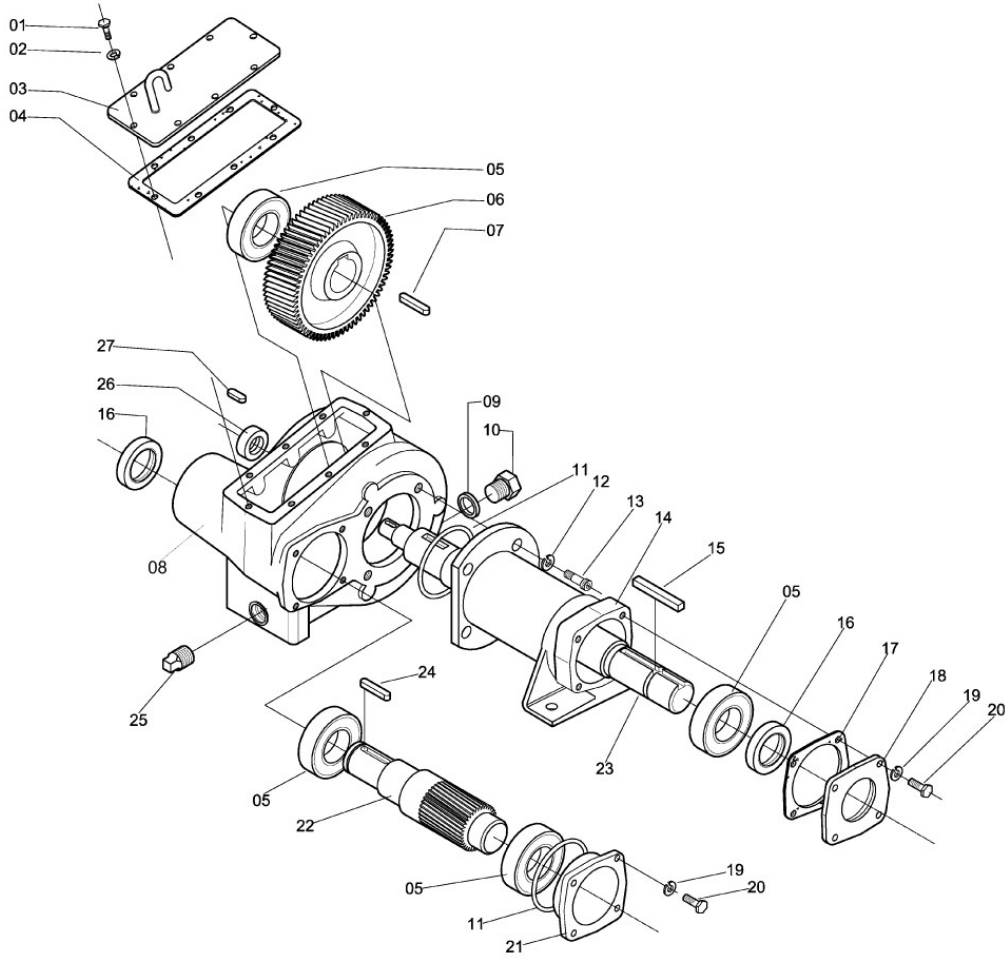
## DUCT ACTUATION CIRCUIT



**CH-6**

Item	CODE	DESCRIPTION	Qty.	Item	CODE	DESCRIPTION	Qty.
00	339275	Duct actuation circuit	1	24	903591	Seal washer $\varnothing$ 25.8 x 13.4 x 1.25	1
01	520379	Protective hose $\varnothing$ 4 "	1				
02	426361	O-ring OR2-905	4				
03	521906	Dosage nipple 0.50	1				
04	519736	Lock washer M8	4				
05	926337	Cylinder support	1				
06	339283	Hose MHMP-04-1/4" X 4100	2				
07	339291	Pressure hose $\varnothing$ 1/4" x 3000	2				
08	340091	Dosage nipple 2 - 37°	3				
09	519967	Hydraulic cylinder $\varnothing$ 32 x 100	1				
09A	130674	Repair kit	1				
10	519975	Rack	1				
11	519983	Hydraulic cylinder spacer	1				
12	520999	Clip plate	2				
13	912758	Hex. nut 5/16" - 18 UNC	4				
14	519991	Hydraulic cylinder $\varnothing$ 32 x 160	1				
14A	130690	Repair kit for cylinder (Focker)	1				
15	520015	Joint pin	1				
16	808451	Cotter pin $\varnothing$ 3/32" x 3/4"	2				
17	926345	Cylinder support	1				
18	913665	Hex. head bolt 3/8" - 16 UNC x 1.1/4"	3				
19	422436	Flat washer 104 x 254 x 19	6				
20	908566	Lock washer $\varnothing$ 3/8"	3				
21	912774	Hex. nut 3/8" - 16 UNC	3				
22	323584	Hose tie	2				
23	228940	Dosage nipple 4.00 - 37°	4				

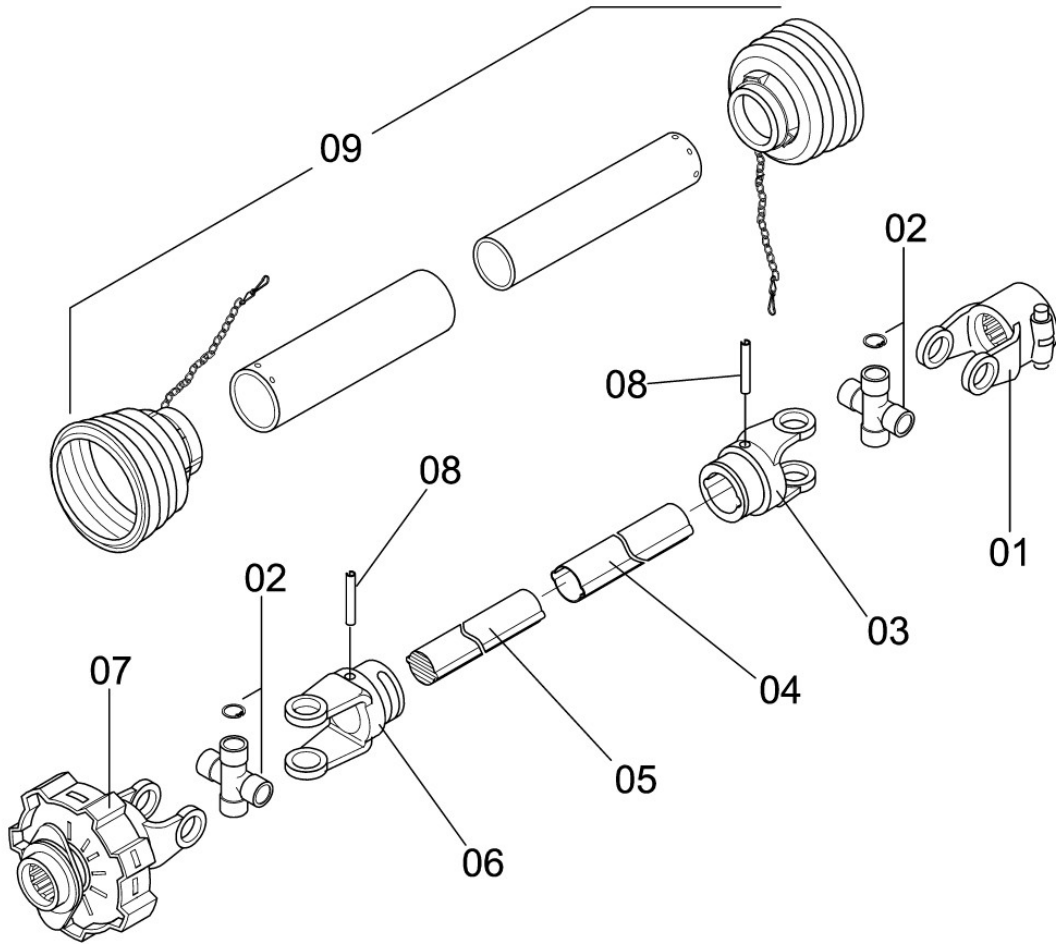
# JACTO GEARBOX 3



**CM-1**

Item	CODE	DESCRIPTION	Qty.	Item	CODE	DESCRIPTION	Qty.
00	627869	Jacto gearbox 3	1	25	812057	Plug $\varnothing$ 1/2" BSP	1
01	441030	Bolt $\varnothing$ 1/4" - 20 UNC x 5/8"	8	26	106922	Retainer $\varnothing$ 22 x 35.2 x 7	1
02	910117	Lock washer $\varnothing$ 1/4"	8	27	520213	Square key 3/8" x 20	1
03	213801	Cover	1				
04	114439	Packing	1				
05	203737	Fixed bearing	4				
06	627794	Drive gear	1				
07	108936	Square key 3/8" x 35	1				
08	627828	Gearbox body	1				
09	625715	Flat washer $\varnothing$ 27 x 22 x 1.5	1				
10	430116	Magnetic plug 1/2" - 14 BSP	1				
11	516575	O-ring ORI-235	2				
12	519736	Lock washer M8	4				
13	325688	Allen screw $\varnothing$ 3/8" UNC x 1"	4				
14	430629	Pillow block	1				
15	820597	Square key 3/8" x 75	1				
15A	516526	Square key 3/8" x 90 (until 03/88)	1				
16	822031	Retainer $\varnothing$ 40 x 62 x 8	2				
17	516518	Packing	1				
18	430587	Cover	1				
19	519736	Lock washer M8	4				
20	913608	Hex. head bolt 5/16" - 18 UNC x 3/4"	8				
21	627737	Cover	1				
22	628552	Driven shaft	1				
23	516534	Shaft 474	1				
24	519793	Square key 9.53 (3/8") x 45	1				

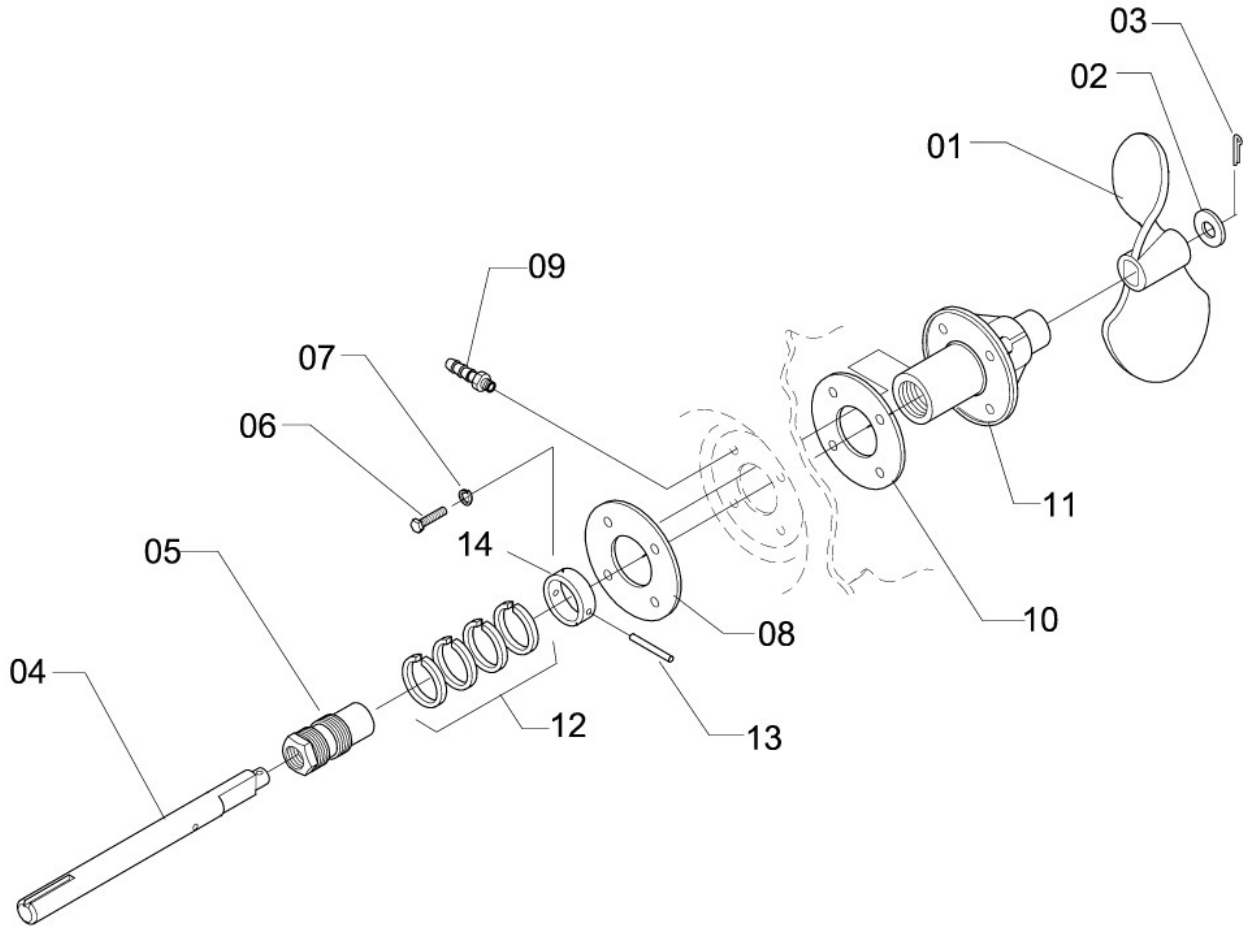
PTO SHAFT 500



CN-7

Item	CODE	DESCRIPTION	Qty.	Item	CODE	DESCRIPTION	Qty.
00	117432	PTO shaft 500	1				
01	227124	Coupling end (sprayer end)	1				
02	130351	Cross assembly with lock	2				
03	669705	Female tube coupling end	1				
04	227272	Female tube	1				
05	227264	Male tube	1				
06	227199	Male tube coupling end	1				
07	227256	Friction clutch	1				
08	227074	Flexible pin	2				
09	227280	Plastic shield assembly	1				

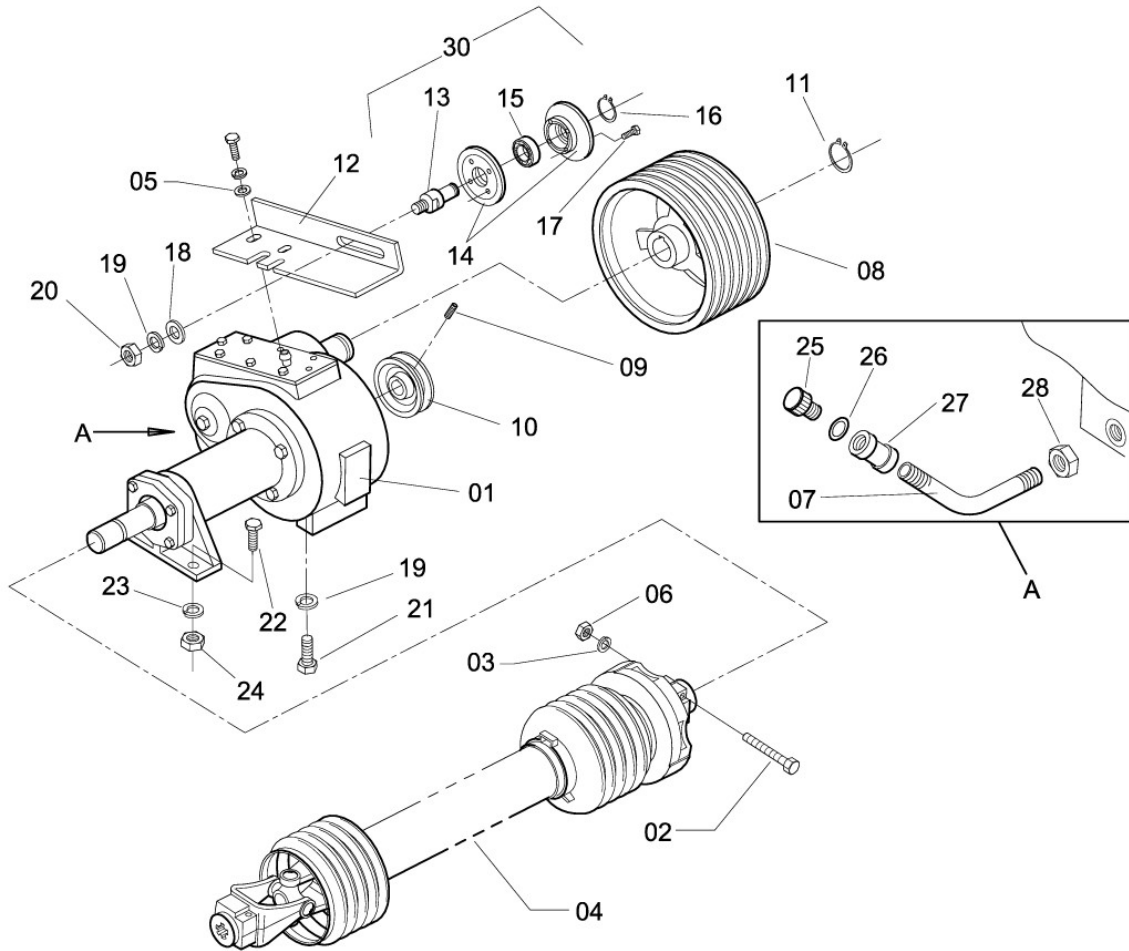
## MECHANICAL AGITATOR III



MM-5

Item	CODE	DESCRIPTION	Qty.	Item	CODE	DESCRIPTION	Qty.
00	517573	Mechanical agitator III	1				
01	517581	Propeller	1				
02	973313	Flat washer 105 x 210 x 20	1				
03	1148305	Counterpin 2.5 x 16 DIN 94 (stainless)	1				
04	517607	Shaft	1				
05	517623	Gasket tightener	1				
06	009977	Bolt 1/4" - 20 UNC	4				
07	910117	Lock washer ø 1/4"	4				
08	517631	Flange ø 80	1				
09	426205	Male fitting for hose ø 1/4"	1				
10	517649	Rubber seal ø 74	1				
11	517664	Agitator body	1				
12	517672	Gasket 3/16" x 70	1				
13	517680	Pin ø 3/16" x 24	1				
14	517698	Seat bushing ø 1" x 10	1				

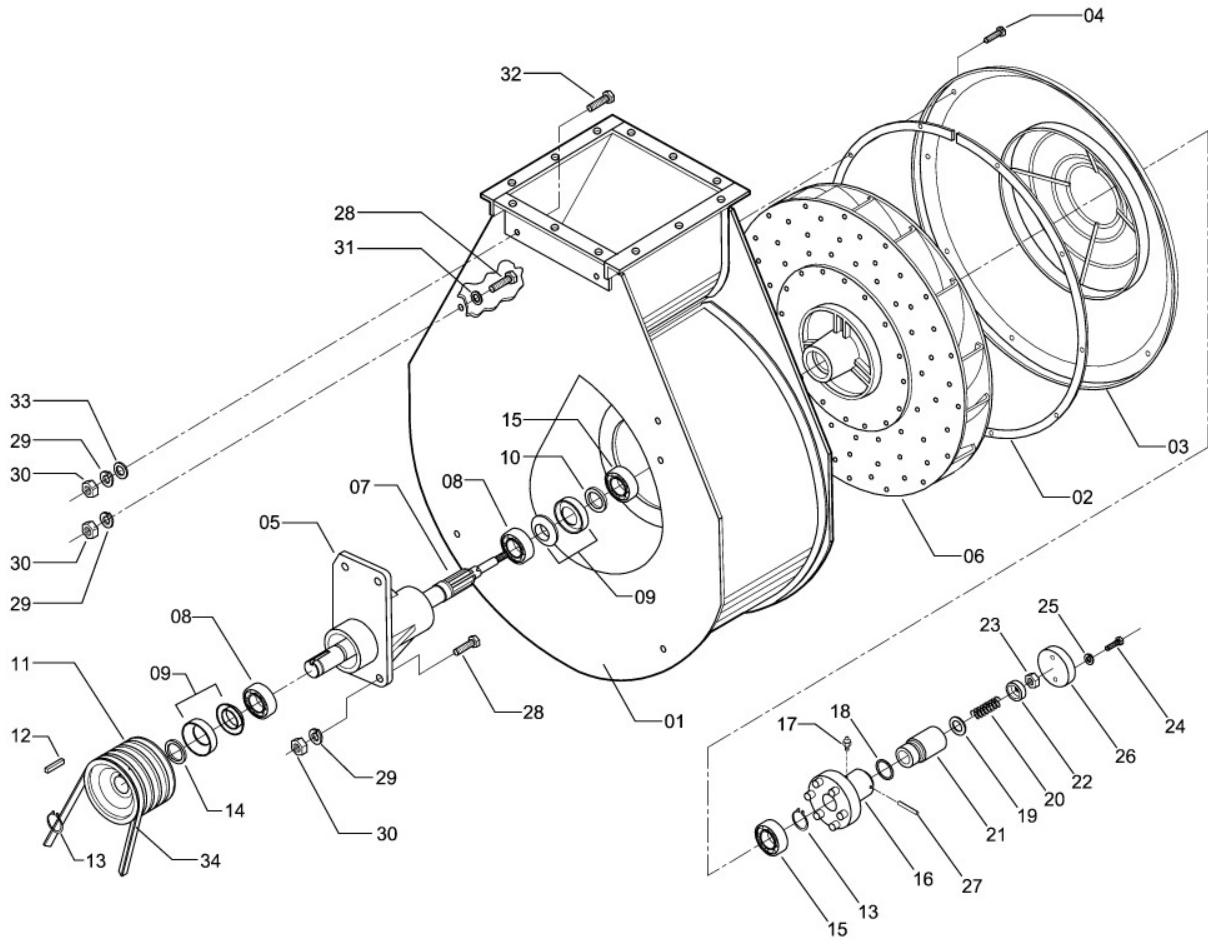
## DRIVE TRANSMISSION AND COMPLEMENTS



TMT-13

Item	CODE	DESCRIPTION	Qty.	Item	CODE	DESCRIPTION	Qty.
00	339267	Drive transmission and complements	1	25	213736	Plug 1/2" BSP	1
01	627869	Jacto gearbox 3	1	26	210146	O-ring OR1-117	1
02	626218	Hex. bolt M-12 x 90 x 1.75	1	27	430553	Sleeve 1/2" BSP	1
03	209163	Lock washer M12	1	28	715722	Lock nut ø 1/2" - 14 BSP	1
04	117432	PTO shaft 500	1	29	428631	Sticker: Pto shaft instructions	1
05	413468	Flat washer 68 x 190 x 12	3	30	663724	Tightening pulley	1
06	427013	Nut ABTN - 1020 thread M12 x 1,50	1				
07	516849	Filling tube	1				
08	430579	Pulley ø 225 - 6A	1				
09	517565	Allen screw 1/4" - 20 UNC x 5/8"	1				
10	517508	Pulley ø 89 - 1A	1				
11	203067	Snap ring for shaft ø 35	1				
12	516930	Tightening pulley support	1				
13	517516	Tightening pulley shaft	1				
14	644641	Pulley disk ø 78 - 1A	1				
15	328781	Fixed bearing	1				
16	910851	Snap ring for shaft 15	1				
17	645432	Flanged head screw 240	4				
18	418152	Flat washer 132 x 258 x 26.5	1				
19	908582	Lock washer 1/2"	3				
20	912790	Hex. nut 1/2" - 13 UNC	1				
21	621086	Bolt ø 1/2" UNC x 1"	2				
22	913665	Hex. head bolt 3/8" - 16 UNC x 1.1/4"	2				
23	908566	Lock washer ø 3/8"	2				
24	912774	Hex. nut 3/8" - 16 UNC	2				

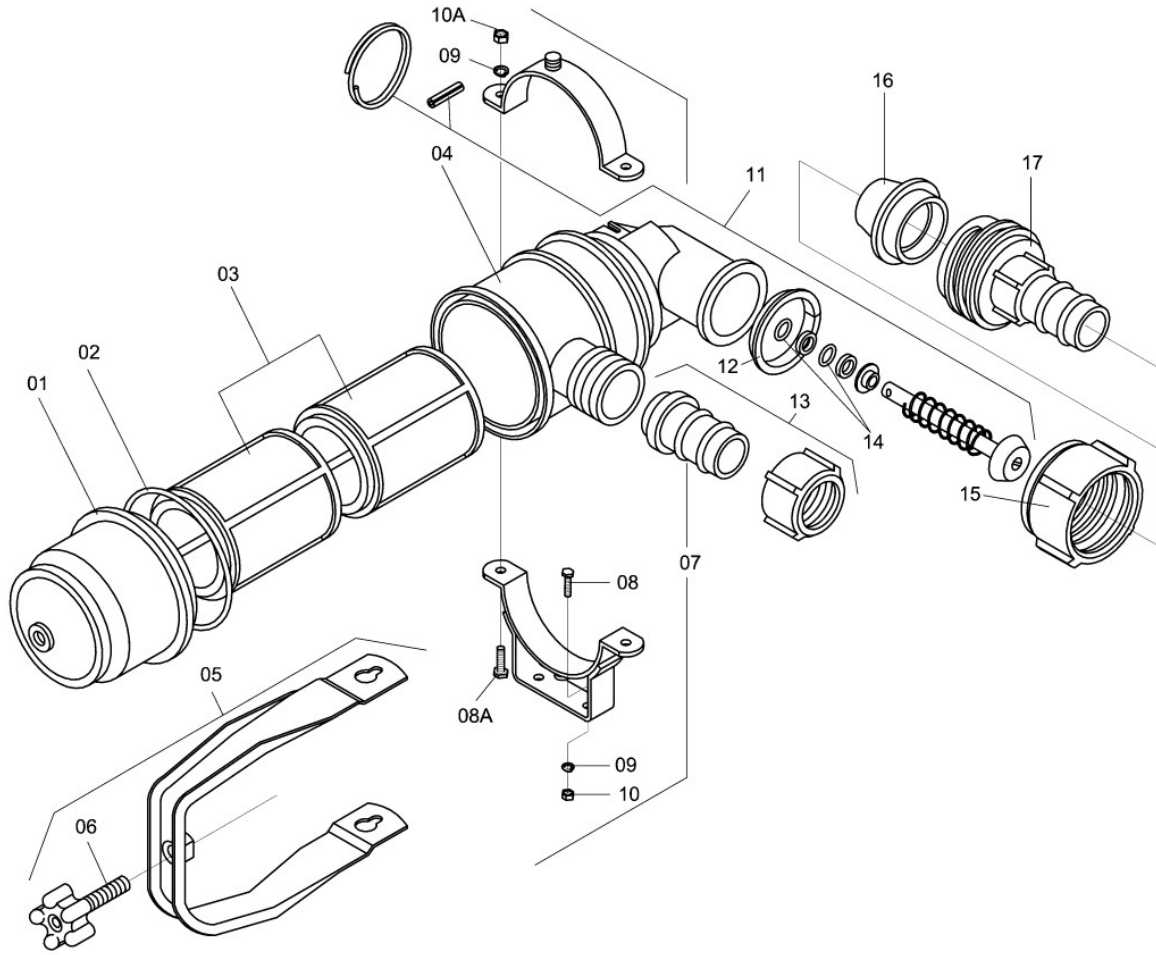
# FAN



V-4

Item	CODE	DESCRIPTION	Qty.	Item	CODE	DESCRIPTION	Qty.
00	518340	Fan	1	26	201087	Disc ø 70	1
01	518605	Fan housing	1	27	427567	Flexible pin ø 5 x 32	1
02	518100	Packing 15 x 2000 x 8.00	1	28	518753	Bolt 3/8" - 16 UNC x 1.1/4"	6
03	018457	Fan housing cover	1	29	908566	Lock washer ø 3/8"	14
04	910745	Self-locking screw ø 1/4" x 3/4"	10	30	518761	Hex. nut ø 3/8"	14
05	517813	Bearing body	1	31	416735	Flat washer 100 x 260 x 30	8
06	518548	Fan rotor	1	32	912709	Bolt ø 3/8" - 16 UNC x 1"	8
07	517995	Shaft	1	33	422436	Flat washer 104 x 254 x 19	2
08	328062	Bearing no. 6207 SKF	2	34	520940	Trapeze belt A-58	5
09	429340	Inner and outer protector	2	35	446500	Sticker: "Fan lock instructions"	1
10	518118	Spacer ring	1	36	360230	Sticker: protectors indication	1
11	517466	Pulley 121-5A	1	37	039420	Sticker: "Chemicals" (Port.)	1
12	519793	Square key 9.53 (3/8") x 45	1				
13	203067	Snap ring for shaft ø 35	1				
14	518126	Spacer ring 42.2 x 2.7	1				
15	202549	Fixed bearing	2				
16	518894	Grooved hub	1				
17	111245	Grease nipple 1/4" x 28 UNF x 45	1				
18	011643	O-ring ORI-129	1				
19	707570	Flat washer 165 x 305 x 19	1				
20	204537	Compression spring	1				
21	201103	Coupling hub	1				
22	425892	Spring seat ring	1				
23	108787	Nut DODI-LOC ø 1/2" - 13 UNC	1				
24	007179	Screw ø 3/16" UNC x 5/8"	1				
25	520676	Lock washer M5	2				

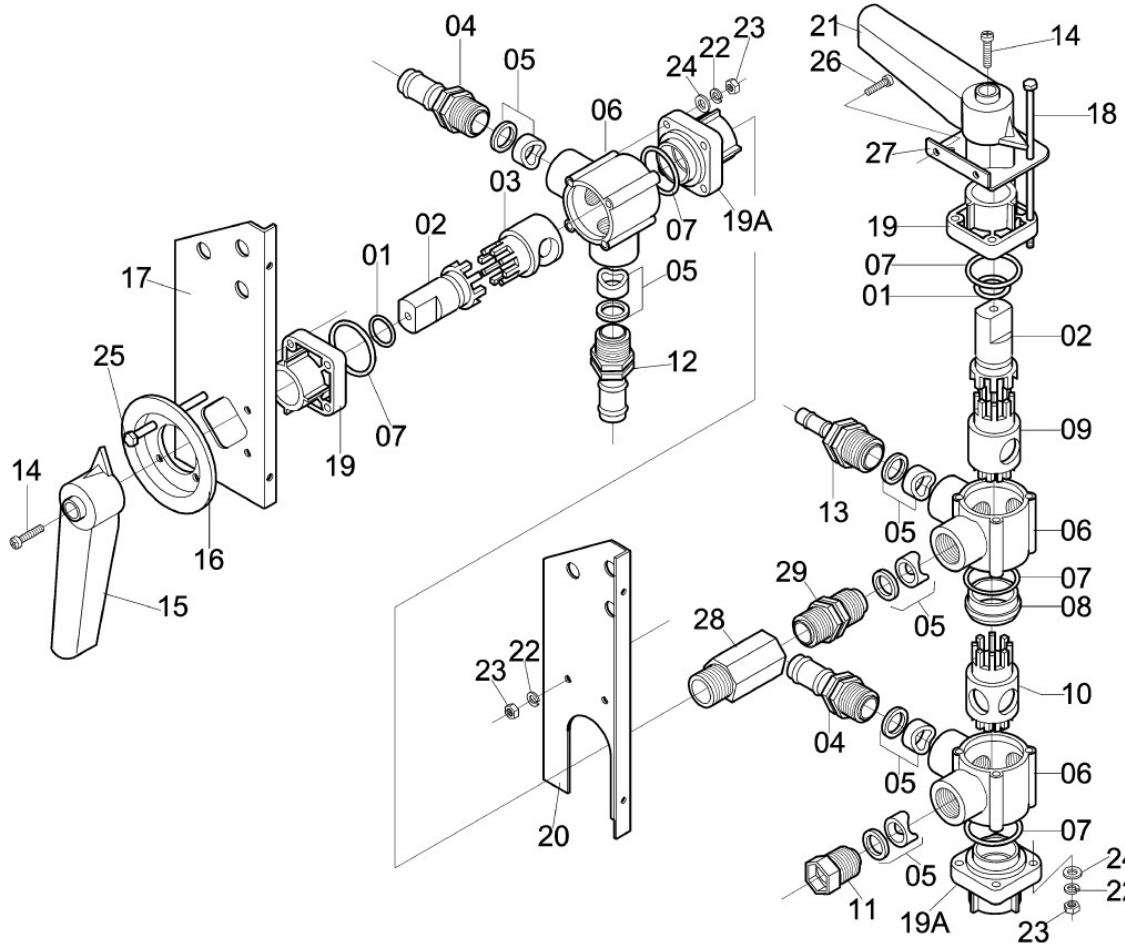
# FILTER FVS 102



F-1

Item	CODE	DESCRIPTION	Qty.	Item	CODE	DESCRIPTION	Qty.
00	613596	Filter FVS 102	1				
01	005793	Filter cover	1				
02	012138	O-ring ORI - 241	1				
03	613604	Double filtering element	1				
04	005785	Filter body	1				
05	110866	Handle	1				
06	011734	Knobbed screw	1				
07	107904	Strap with support	1				
08	910489	Bolt $\varnothing$ 1/4" 28 - UNF x 5/8"	2				
08A	007229	Bolt 1/4" x 20 UNC x 3/4"	2				
09	910117	Lock washer $\varnothing$ 1/4"	2				
10	910125	Nut $\varnothing$ 1/4"- 28 UNF	2				
10A	912741	Nut $\varnothing$ 1/4" - 20 UNC	2				
11	005942	Filter valve assembly	1				
12	005918	Locking ring	1				
13	015438	Hose fitting $\varnothing$ 1" with nut	1				
14	416669	O-ring OR1-110	2				
15	005900	Coupling nut	1				
16	005934	Valve seat	1				
17	325845	Extension for hose $\varnothing$ 1"	1				

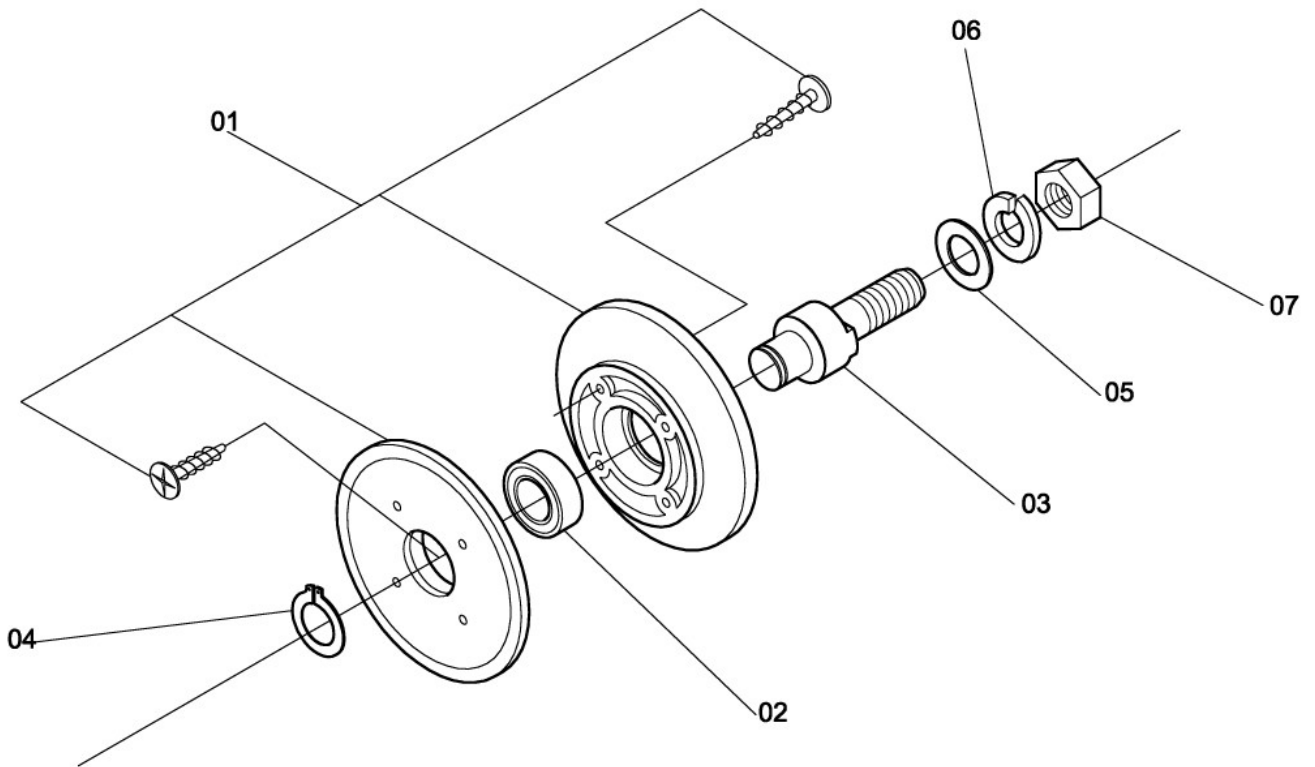
## FLOW RATE REGULATING VALVE



**CV-41**

Item	CODE	DESCRIPTION	Qty.	Item	CODE	DESCRIPTION	Qty.
00	333690	Flow rate regulating valve	1	25	216218	Bolt $\varnothing$ 1/4" - 20 UNC x 3.1/4"	4
01	216192	O-ring OR1-213	2	26	007229	Bolt 1/4" x 20 UNC x 3/4"	2
02	200048	Valve rod	2	27	333765	Support	1
03	333724	Regulator core	1	28	333757	Extension	1
04	404459	Hose fitting 1" x 1" BSP	2	29	517847	Nipple 1/2" BSP	1
05	211235	Seat and packing ring	6				
06	200121	Core body	3				
07	216200	O-ring ORI-132	2				
08	200022	Valve guide	2				
09	325035	Core II	1				
10	442616	Core I	1				
11	325019	Plug 1" BSP	1				
12	212175	Fitting $\varnothing$ 1/2" x 1" BSP	1				
13	517797	Fitting $\varnothing$ 3/8" x 1" BSP	1				
14	912642	Screw $\varnothing$ 1/4" UNC x 5/8"	2				
15	200204	Setting lever	1				
16	212134	Indicator	1				
17	732230	Valve base (left)	1				
18	333732	Bolt $\varnothing$ 1/4" - 20 UNC x 131	4				
19	322594	Valve cover	2				
19A	200170	Valve cover $\varnothing$ 1" - BSP	1				
20	333716	Valve base (right)	1				
21	212571	Setting lever	1				
22	910117	Lock washer $\varnothing$ 1/4"	4				
23	912741	Nut $\varnothing$ 1/4" - 20 UNC	4				
24	707182	Flat washer 63 x 140 x 9.1	8				

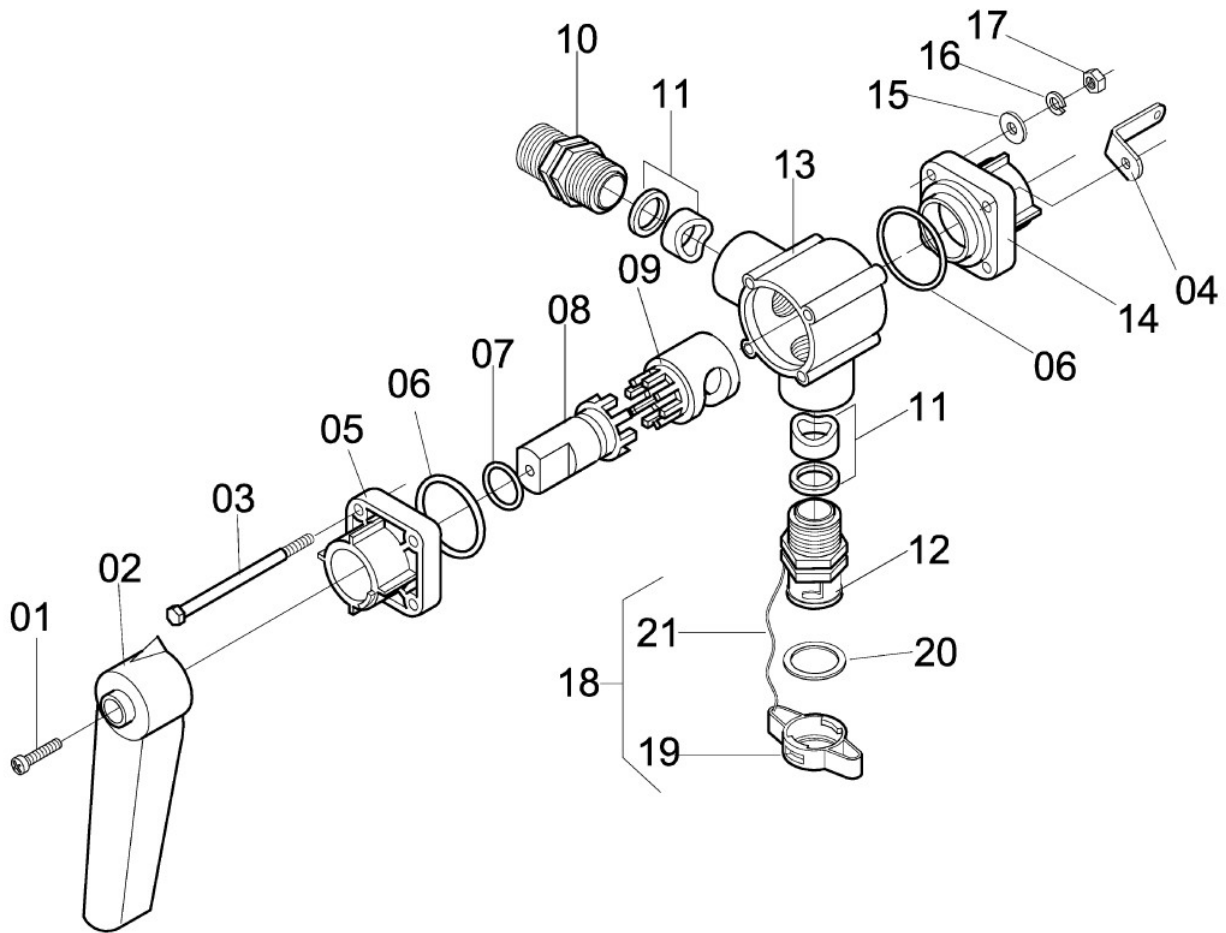
# TIGHTENING PULLEY



LE-7

Item	CODE	DESCRIPTION	Qty.	Item	CODE	DESCRIPTION	Qty.
00	663724	Tightening pulley	1				
01	660605	Split pulley and screws	1				
02	328781	Fixed bearing	1				
03	517516	Tightening pulley shaft	1				
04	910851	Snap ring for shaft 15	1				
05	418152	Flat washer 132 x 258 x 26.5	1				
06	908582	Lock washer 1/2"	1				
07	912790	Hex. nut 1/2" - 13 UNC	1				

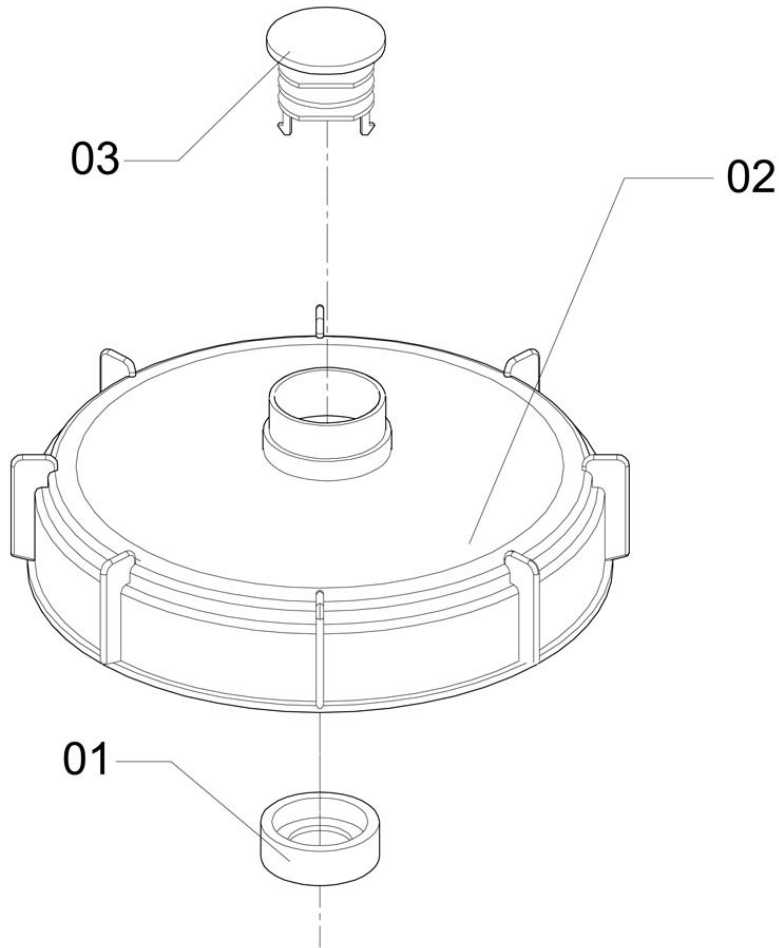
### 3-WAY REGULATING VALVE



CV-25

Item	CODE	DESCRIPTION	Qty.	Item	CODE	DESCRIPTION	Qty.
00	517821	3-way regulating valve	1				
01	912642	Screw $\varnothing$ 1/4" UNC x 5/8"	1				
02	212571	Setting lever	1				
03	216218	Bolt $\varnothing$ 1/4" - 20 UNC x 3.1/4"	4				
04	517839	Bracket	1				
05	322594	Valve cover	1				
06	216200	O-ring ORI-132	2				
07	216192	O-ring OR1-213	1				
08	200048	Valve rod	1				
09	200014	Regulator core	1				
10	517847	Nipple 1/2" BSP	1				
11	211235	Seat and packing ring	2				
12	206177	Coupling body $\varnothing$ 1"	1				
13	200121	Core body	1				
14	200170	Valve cover $\varnothing$ 1" - BSP	1				
15	413468	Flat washer 68 x 190 x 12	4				
16	910117	Lock washer $\varnothing$ 1/4"	4				
17	912741	Nut $\varnothing$ 1/4" - 20 UNC	4				
18	614289	Plug with nylon yarn	1				
19	614297	Plug	1				
20	206185	Packing ring $\varnothing$ 32.8 x 6.00	1				
21	228916	Nylon yarn $\varnothing$ 1.00 x 220	1				

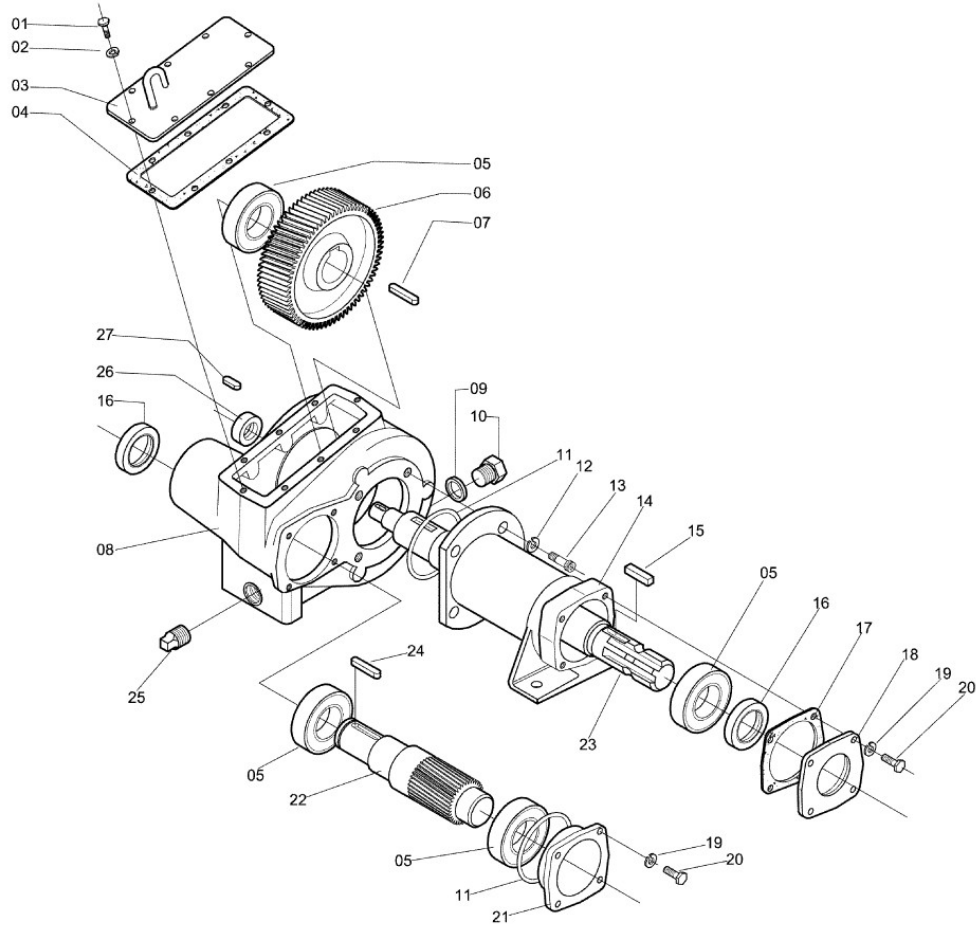
**LID WITH BREATHER**



**D-101**

Item	CODE	DESCRIPTION	Qty.	Item	CODE	DESCRIPTION	Qty.
00	037374	Lid with breather	1				
01	088419	Labyrinth lock	1				
02	233965	Spray tank lid	1				
03	088427	Labyrinth	1				

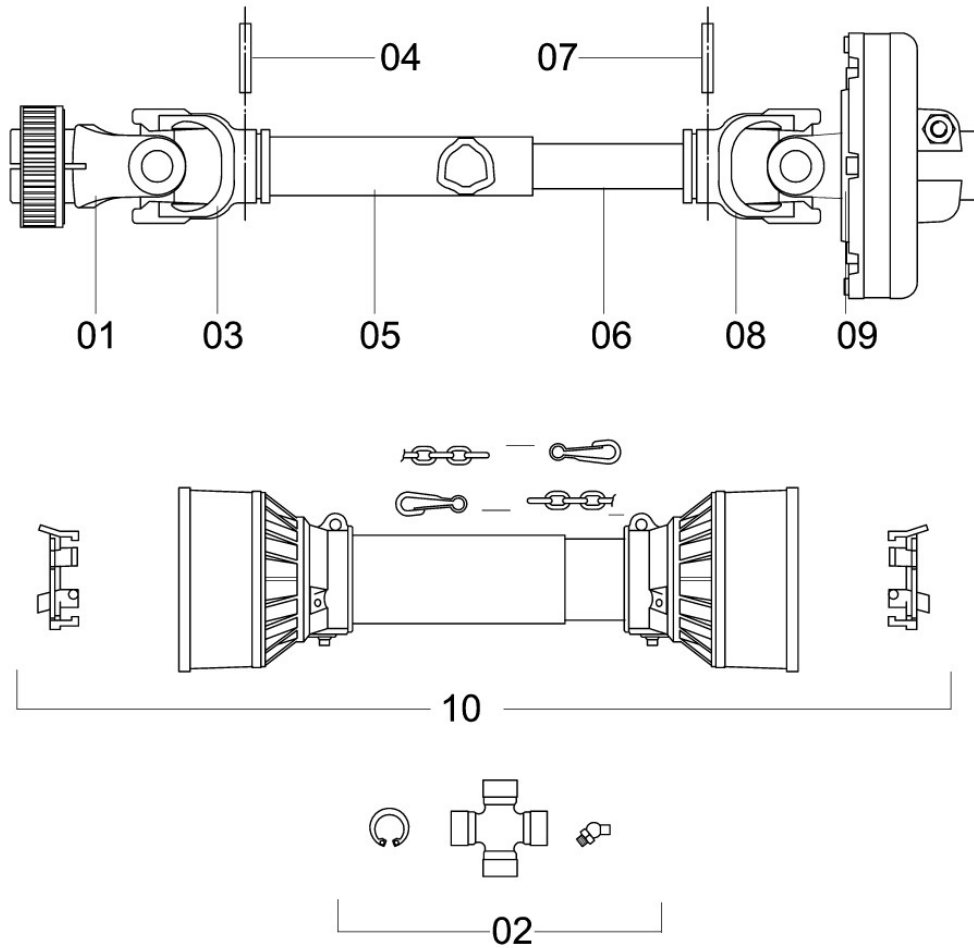
# GEARBOX JACTO 5



**CM-3**

Item	CODE	DESCRIPTION	Qty.	Item	CODE	DESCRIPTION	Qty.
00	349043	Gearbox Jacto 5	1	25	812057	Plug $\varnothing$ 1/2" BSP	1
01	441030	Bolt $\varnothing$ 1/4" - 20 UNC x 5/8"	8	26	106922	Retainer $\varnothing$ 22 x 35.2 x 7	1
02	910117	Lock washer $\varnothing$ 1/4"	8	27	520213	Square key 3/8" x 20	1
03	213801	Cover	1				
04	114439	Packing	1				
05	203737	Fixed bearing	4				
06	627794	Drive gear	1				
07	108936	Square key 3/8" x 35	1				
08	627828	Gearbox body	1				
09	625715	Flat washer $\varnothing$ 27 x 22 x 1.5	1				
10	430116	Magnetic plug 1/2" - 14 BSP	1				
11	516575	O-ring ORI-235	2				
12	908566	Lock washer $\varnothing$ 3/8"	4				
13	325688	Allen screw $\varnothing$ 3/8" UNC x 1"	4				
14	430629	Pillow block	1				
15	814210	Square key 3/8" x 25	1				
15A	516526	Square key 3/8" x 90 (until 03/88)	1				
16	822031	Retainer $\varnothing$ 40 x 62 x 8	2				
17	516518	Packing	1				
18	430587	Cover	1				
19	519736	Lock washer M8	4				
20	913608	Hex. head bolt 5/16" - 18 UNC x 3/4"	8				
21	627737	Cover	1				
22	628552	Driven shaft	1				
23	349050	Shaft 474	1				
24	519793	Square key 9.53 (3/8") x 45	1				

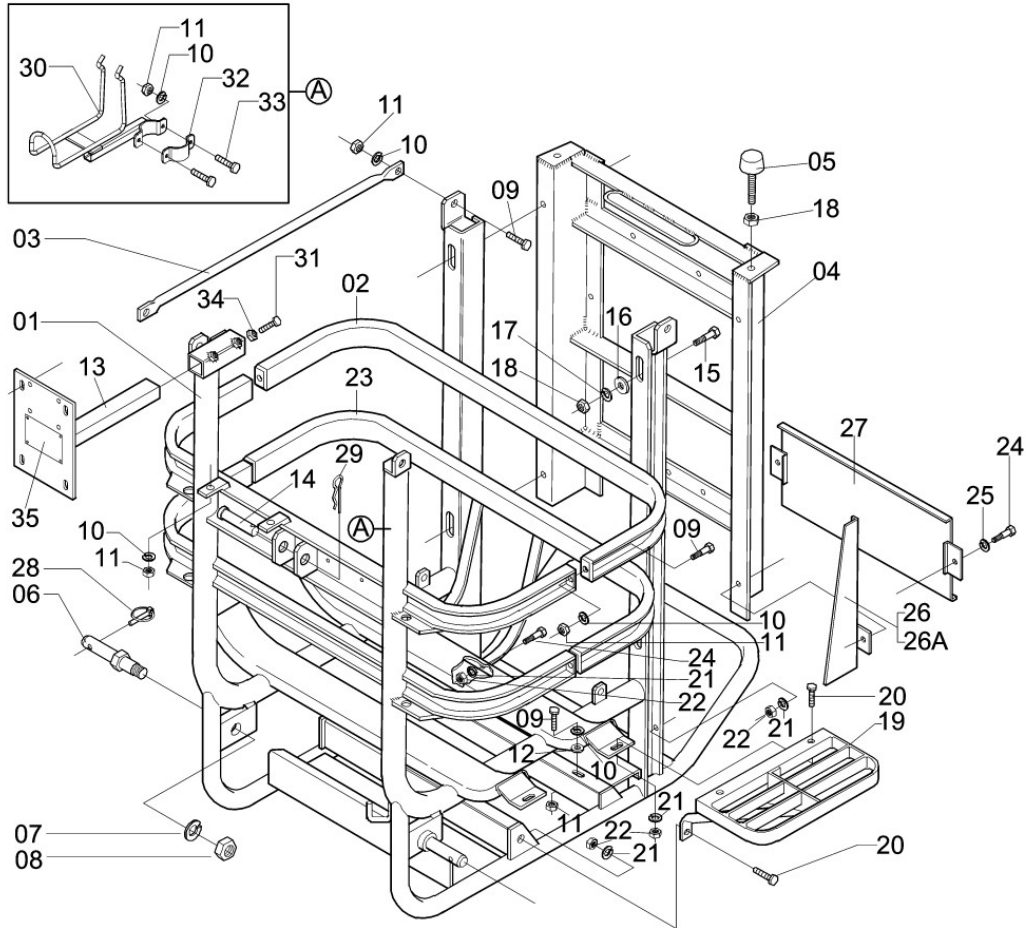
PTO SHAFT 500



CN-15

Item	CODE	DESCRIPTION	Qty.	Item	CODE	DESCRIPTION	Qty.
00	655811	PTO shaft 500	1				
01	572198	Coupling end with lock	1				
02	572206	Cross	2				
03	572222	Female tube coupling end	1				
04	572230	Flexible pin	1				
05	965731	Female tube	1				
06	971549	Male tube	1				
07	572123	Flexible pin	1				
08	572263	Male tube coupling end	1				
09	979534	Coupling end (sprayer side)	1				
10	955765	Guard shield	1				

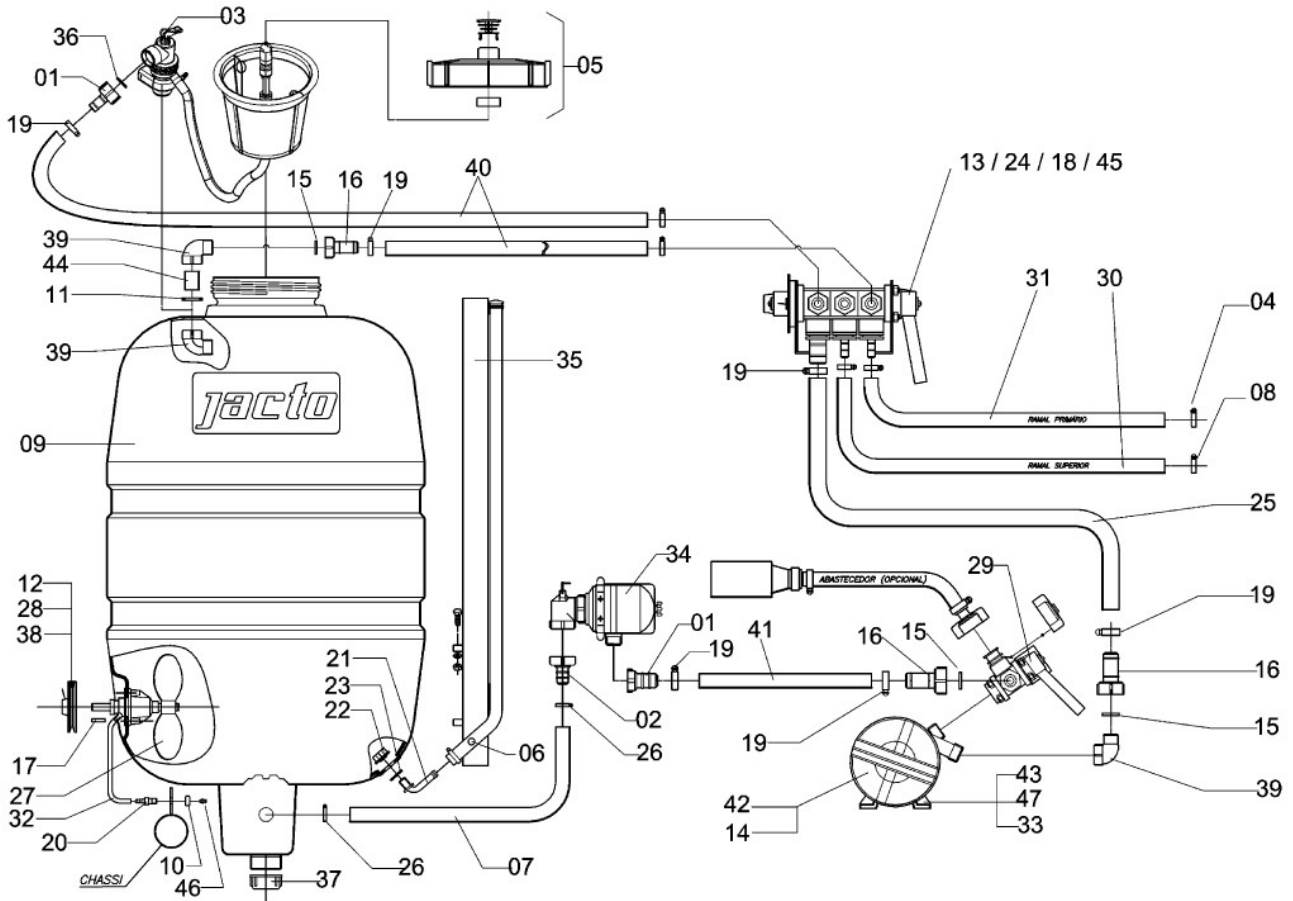
## CHASSIS AND COMPLEMENTS



**C3P-85**

Item	CODE	DESCRIPTION	Qty.	Item	CODE	DESCRIPTION	Qty.
00	354779	Chassis and complements	1	26	018390	Left side guard plate	1
01	516948	Chassis body	1	26A	018366	Right side guard plate	1
02	517235	Upper half-strap	1	27	018424	Pulleys protector	1
03	517250	Angle brace 850	2	28	812636	Universal lock pin 7/16"	1
04	517268	Fan support	1	29	517409	Cotter pin 3/16"	1
05	941948	Tightening screw $\varnothing$ 1/2" - 13 UNC	2	30	136846	15-liter tank support	1
06	870758	Lower coupling pin	2	31	757559	Hex. bolt M10 x 30 x 1.25	2
07	910075	Lock washer $\varnothing$ 1"	2	32	206003	Semiclamp	1
08	910430	Nut $\varnothing$ 1" - 8 UNC	2	33	518753	Bolt 3/8" - 16 UNC x 1.1/4"	2
09	912709	Bolt $\varnothing$ 3/8" - 16 UNC x 1"	10	34	907030	Hex. nut M10 x 1.25	2
10	908566	Lock washer $\varnothing$ 3/8"	10	35	625236	Plate "With instructions for runing PTO"	1
11	912774	Hex. nut 3/8" - 16 UNC	14		039396	Sticker: "PTO shaft protection"	1
12	422436	Flat washer 104 x 254 x 19	2		515734	Sticker: "Clean filter..."	1
13	732180	Control valve bracket	1				
14	517383	Upper coupling pin 1" x 95	1				
15	428573	Bolt $\varnothing$ 1/2" - 13 UNC x 1.1/4"	4				
16	916148	Flat washer 132 x 404 x 47.5	4				
17	908582	Lock washer 1/2"	4				
18	912790	Hex. nut 1/2" - 13 UNC	6				
19	520791	Platform	1				
20	912667	Bolt 5/16" x 18 UNC x 7/8	3				
21	519736	Lock washer M8	8				
22	912758	Hex. nut 5/16" - 18 UNC	7				
23	625111	Lower half-strap	1				
24	663153	Hex. bolt 5/16" - 18 UNC x 3/4"	4				
25	013433	Flat washer	2				

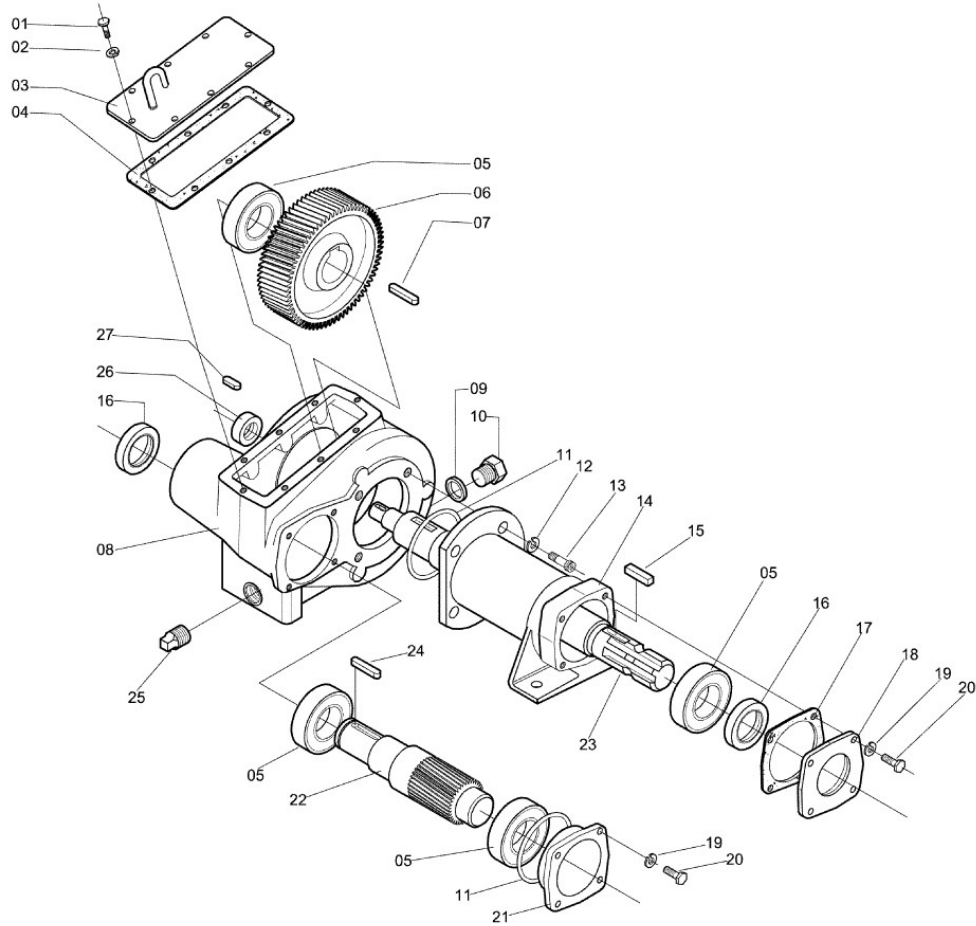
# CHEMICAL CIRCUIT



**CD-193**

Item	CODE	DESCRIPTION	Qty.	Item	CODE	DESCRIPTION	Qty.
00	333773	Chemical circuit	1	25	505032	Hose Ø 1" x 2100	1
01	015438	Hose fitting ø 1" with nut	2	26	911115	Clamp D32-44 - stainless steel	2
02	005926	Plastic extension 1.1/4"	1	27	517573	Mechanical agitator III	1
03	060434	Chemical container rinse nozzle kit	1	28	517763	Pulley 119 - 1A	1
04	063370	Clamp D 12-16 - stainless steel	2	29	517821	3-way regulating valve	1
05	037374	Tank lid	1	30	517904	Hose 1/2" x 4100 - PT 80	1
06	324764	Float ø 14	1	31	517912	Hose 3/8 x 3050	1
07	107581	Hose Ø 1.1/4" x 450	1	32	517920	Hose ø 1/4" x 340	1
08	107664	Clamp D14-22 - stainless steel	2	33	520221	Bolt guide	1
09	137174	Tank 600 L	1	34	613596	Filter FVS 102	1
10	916627	Nut 7/16" - 14 UNC	1	35	716670	Level indicator 5	1
11	212472	Packing 45 x 33.5	1	36	731521	O-ring OR1 - 124	1
12	913624	Trapeze belt A 38	1	37	900761	Drain cap ø 67	1
13	333690	Flow rate regulating valve	1	38	901363	Allen bolt 1/4" - 20 UNC x 1/2"	1
14	337964	Centrifugal pump BC-1143 (dual stage - series 4)	1	39	902817	Male/female elbow 1" BSP x 90 degrees	3
15	402412	Lock washer ø 31 x 22.5 x 22.5/3.0	3	40	903385	Hose 1" x 1300	2
16	404434	Hose fitting	3	41	905497	Hose Ø 1" x 750	1
17	405597	Square key 3/16" x 28	1	42	907592	Trapezoid belt A-45	1
18	413468	Flat washer 68 x 190 x 12	4	43	908566	Lock washer ø 3/8"	2
19	423814	Clamp D22-32 - stainless steel	8	44	910000	Nipple 1" BSP	1
20	426189	Grease nipple fitting	1	45	910117	Lock washer ø 1/4"	1
21	428730	Elbow 3/4" x 1/2" BSP -14 F.P.P.	1	46	910463	Grease nipple 1/4" - 28 UNF	1
22	428748	Flanged nut 1/2" BSP -14 F.P.P.	1	47	912709	Bolt ø 3/8" - 16 UNC x 1"	2
23	428797	Seal washer ø 40 x 21 x 2.0	1				
24	441030	Bolt ø 1/4" - 20 UNC x 5/8"	4				

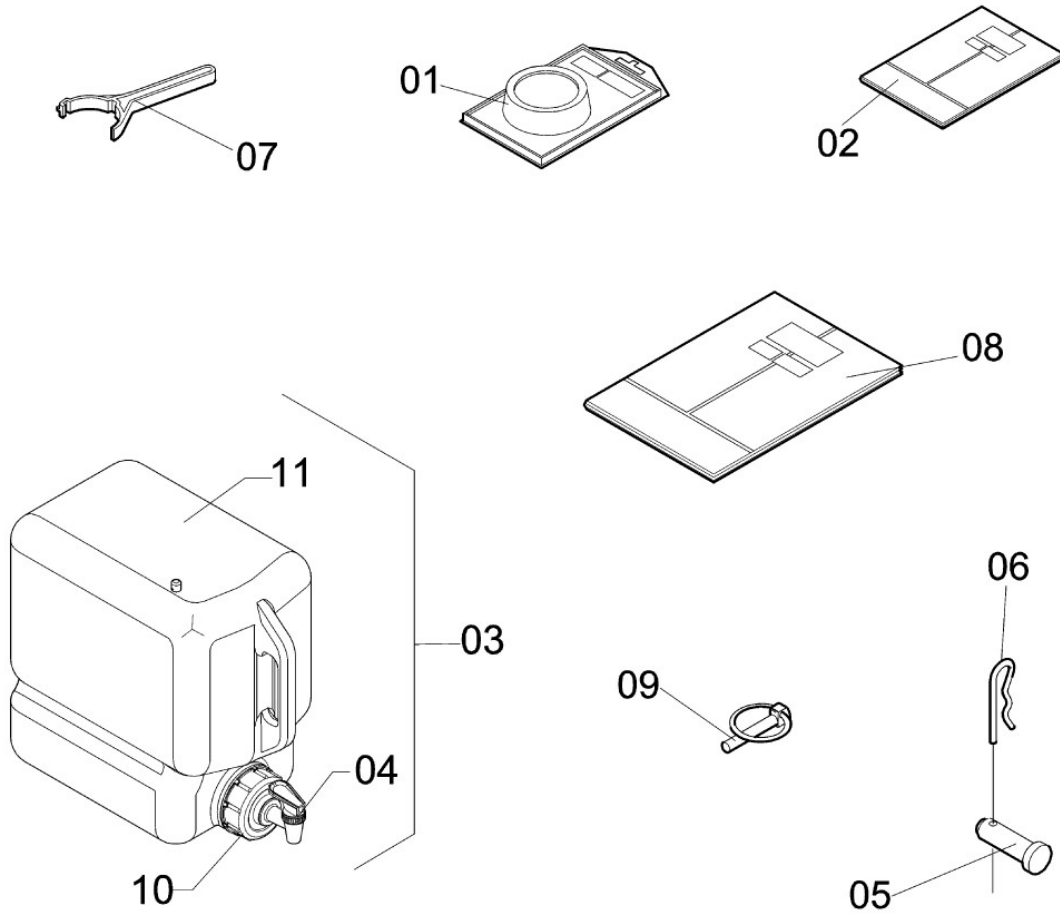
# GEARBOX JACTO 5



**CM-3**

Item	CODE	DESCRIPTION	Qty.	Item	CODE	DESCRIPTION	Qty.
00	349043	Gearbox Jacto 5	1	25	812057	Plug $\varnothing$ 1/2" BSP	1
01	441030	Bolt $\varnothing$ 1/4" - 20 UNC x 5/8"	8	26	106922	Retainer $\varnothing$ 22 x 35.2 x 7	1
02	910117	Lock washer $\varnothing$ 1/4"	8	27	520213	Square key 3/8" x 20	1
03	213801	Cover	1		427153	Lubricating oil - ref. multigear EP-90" (Texaco)	1
04	114439	Packing	1				
05	203737	Fixed bearing	4				
06	627794	Drive gear	1				
07	108936	Square key 3/8" x 35	1				
08	627828	Gearbox body	1				
09	625715	Flat washer $\varnothing$ 27 x 22 x 1.5	1				
10	430116	Magnetic plug 1/2" - 14 BSP	1				
11	516575	O-ring ORI-235	2				
12	908566	Lock washer $\varnothing$ 3/8"	4				
13	325688	Allen screw $\varnothing$ 3/8" UNC x 1"	4				
14	430629	Pillow block	1				
15	814210	Square key 3/8" x 25	1				
15A	516526	Square key 3/8" x 90 (until 03/88)	1				
16	822031	Retainer $\varnothing$ 40 x 62 x 8	2				
17	516518	Packing	1				
18	430587	Cover	1				
19	519736	Lock washer M8	4				
20	913608	Hex. head bolt 5/16" - 18 UNC x 3/4"	8				
21	627737	Cover	1				
22	628552	Driven shaft	1				
23	349050	Shaft 474	1				
24	519793	Square key 9.53 (3/8") x 45	1				

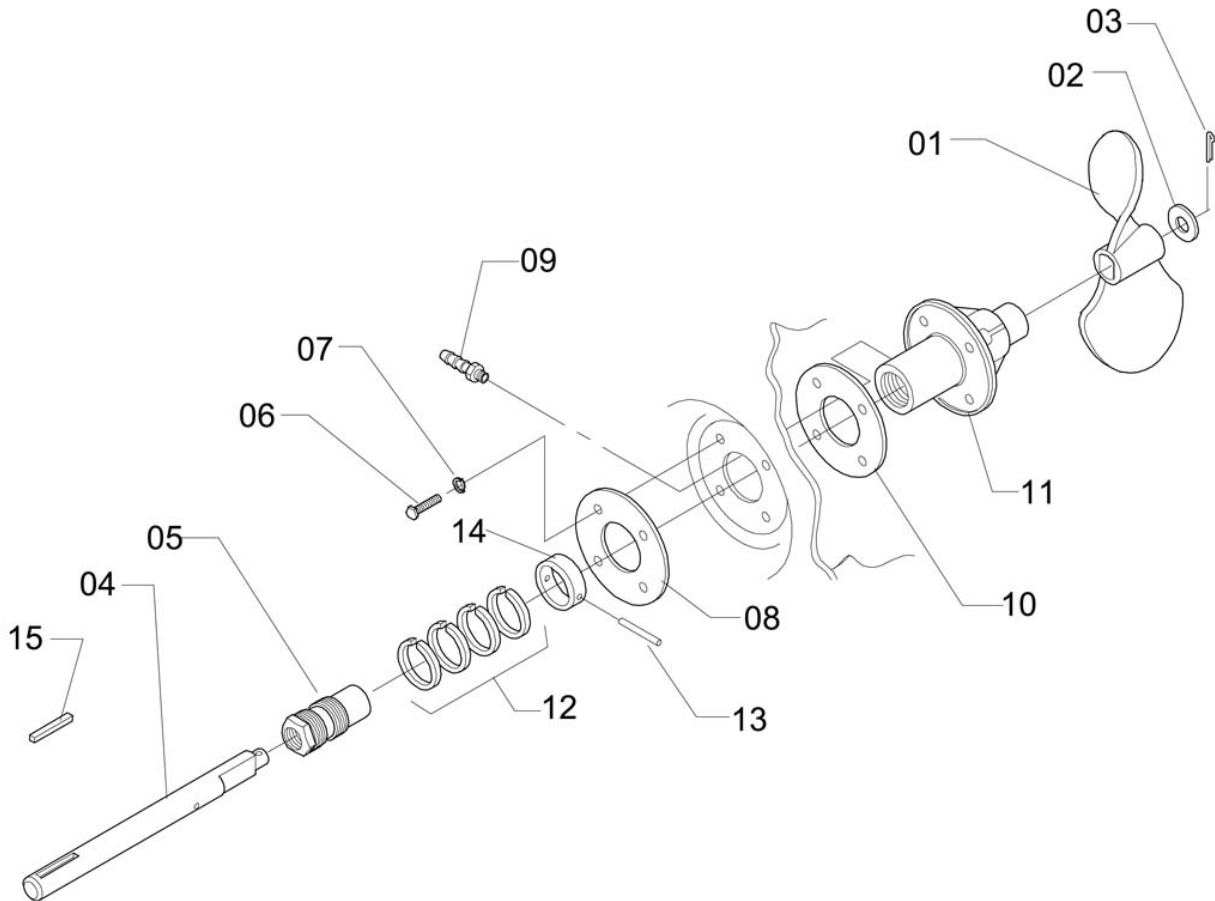
**ACCESSORIES BOX FOR "JATÃO SUPER 600"**



**CXA-154**

Item	CODE	DESCRIPTION	Qty.	Item	CODE	DESCRIPTION	Qty.
00	138487	Accessories box for "Jatão Super 600"	1				
01	000026	Cone nozzle JA-2 (black)	6				
02	158576	Operator's manual-Chemical container rinse nozzle	1				
03	299768	15-liter tank assembly	1				
04	044180	Plastic tap 23 x 3/8" BSP	1				
05	517383	Upper coupling pin 1" x 95	1				
06	517409	Cotter pin 3/16"	1				
07	703694	Key 40-45	1				
08	767533	Operator's manual -"JS - 600" (Inglês)	1				
09	812636	Universal lock pin 7/16"	2				
10	247262	Cover	1				
11	299768	15-liter tank assembly	1				

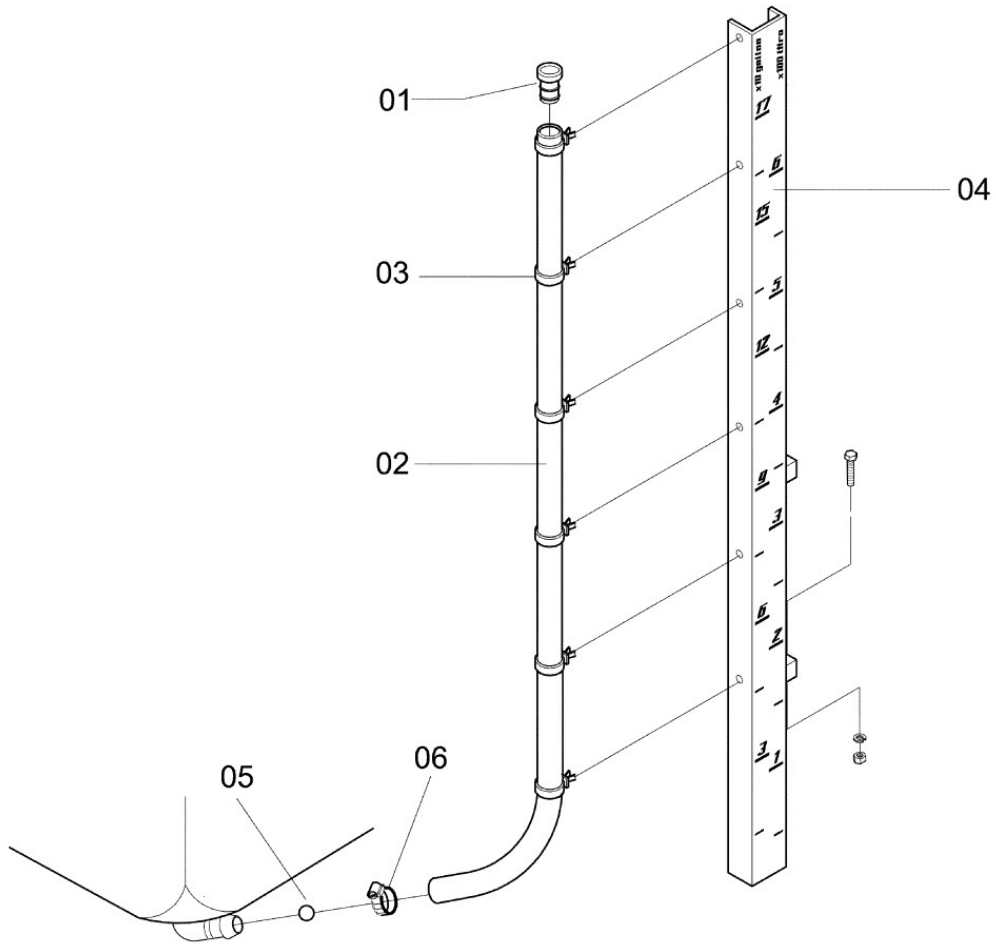
## MECHANICAL AGITATOR III



MM-30

Item	CODE	DESCRIPTION	Qty.	Item	CODE	DESCRIPTION	Qty.
00	517573	Mechanical agitator III	1				
01	517581	Propeller	1				
02	973313	Flat washer 105 x 210 x 20	1				
03	1148305	Counterpin 2.5 x 16 DIN 94 (stainless)	1				
04	517607	Shaft	1				
05	517623	Gasket tightener	1				
06	166892	Hexagonal head bolt M6 x 25 x 1.00	4				
07	521666	Lock washer M6	4				
08	517631	Flange ø 80	1				
09	426205	Male fitting for hose ø 1/4"	1				
10	517649	Rubber seal ø 74	1				
11	517664	Agitator body	1				
12	517672	Gasket 3/16" x 70	1				
13	517680	Pin ø 3/16" x 24	1				
14	517698	Seat bushing ø 1" x 10	1				
15	419416	Square key 3/16" x 38					

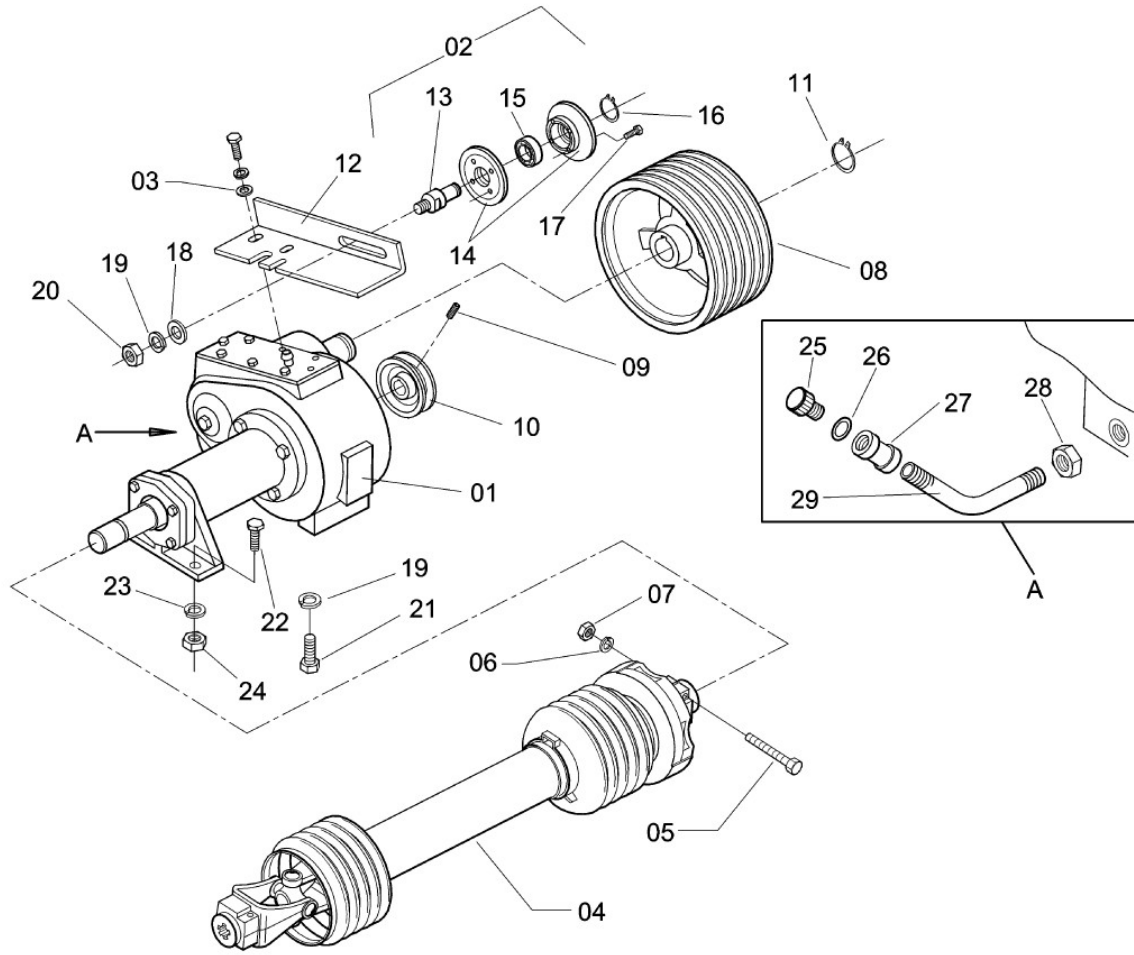
# LEVEL INDICATOR 5



**MN-13**

Item	CODE	DESCRIPTION	Qty.	Item	CODE	DESCRIPTION	Qty.
00	716670	Level indicator 5	1				
01	537381	Plug	1				
02	717199	Hose ø 3/4" x 1060	1				
03	546598	Hose clip ø 22/25	6				
04	716688	Level indicator body	1				
05	324764	Float ø 14	1				
06	423814	Clamp D22-32 - stainless steel	1				

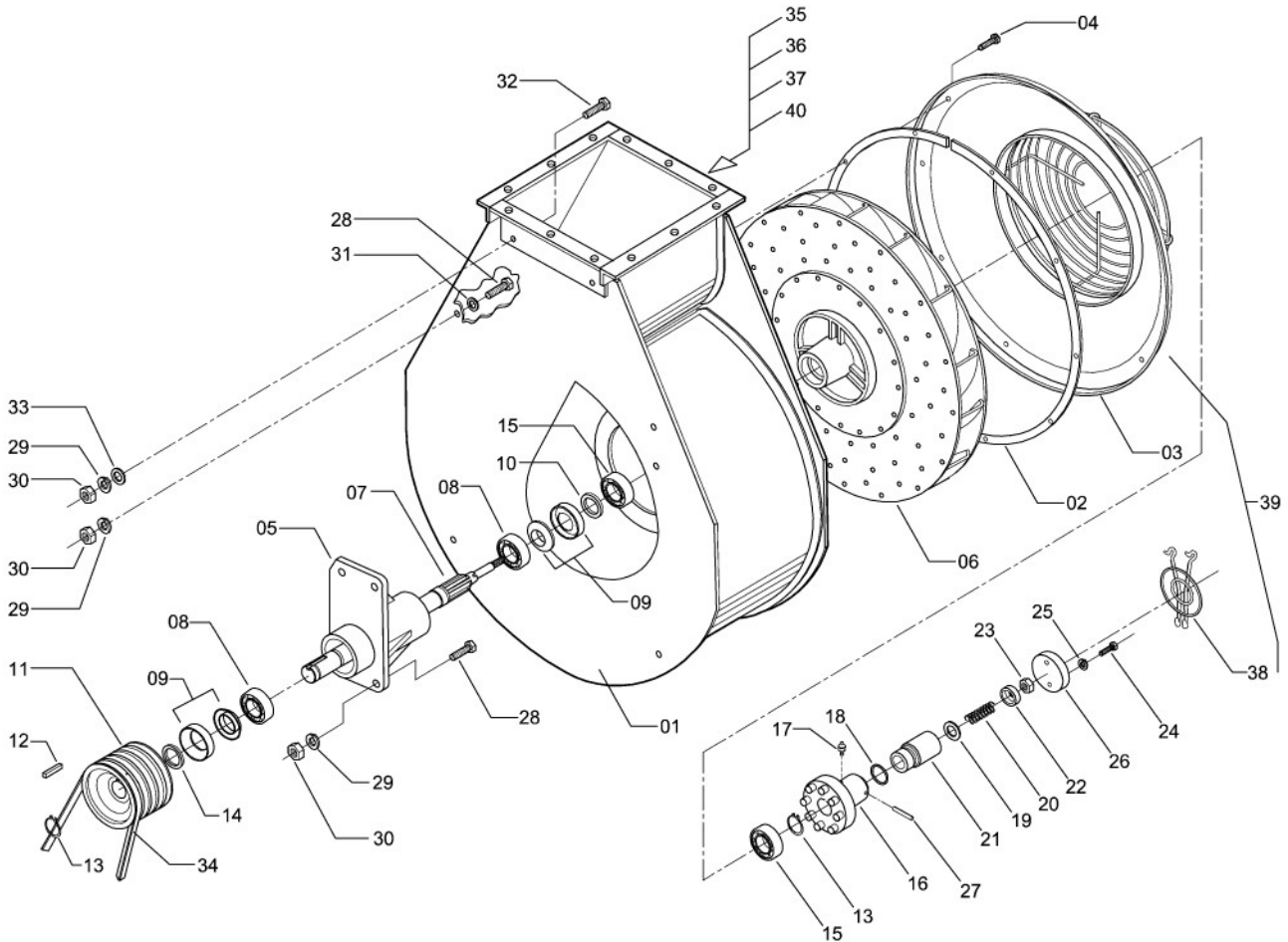
## DRIVE TRANSMISSION AND COMPLEMENTS



TMT-51

Item	CODE	DESCRIPTION	Qty.	Item	CODE	DESCRIPTION	Qty.
00	339267	Drive transmission and complements	1	25	213736	Plug 1/2" BSP	1
01	349043	Gearbox Jacto 5	1	26	210146	O-ring OR1-117	1
02	645416	Tightening pulley assembly 78 (Shaft $\varnothing$ 15 x 50,5)	1	27	430553	Sleeve 1/2" BSP	1
03	413468	Flat washer 68 x 190 x 12	3	28	715722	Lock nut $\varnothing$ 1/2" - 14 BSP	1
04	655811	PTO shaft 500	1	29	516849	Filling tube	1
05	626218	Hex. bolt M-12 x 90 x 1.75	1		428631	Sticker: Pto shaft instructions	1
06	209163	Lock washer M12	1				
07	427013	Nut ABTN - 1020 thread M12 x 1,50	1				
08	430579	Pulley $\varnothing$ 225 - 6A	1				
09	517565	Allen screw 1/4" - 20 UNC x 5/8"	1				
10	704874	Pulley $\varnothing$ 90-1A	1				
11	203067	Snap ring for shaft $\varnothing$ 35	1				
12	516930	Tightening pulley support	1				
13	817627	Tightening pulley shaft 15 x 50.5	1				
14	644641	Pulley disk $\varnothing$ 78 - 1A	2				
15	328781	Fixed bearing	1				
16	910851	Snap ring for shaft 15	1				
17	645432	Flanged head screw 240	4				
18	818112	Flat washer 130 x 240 x 30	1				
19	908582	Lock washer 1/2"	3				
20	912790	Hex. nut 1/2" - 13 UNC	1				
21	621086	Bolt $\varnothing$ 1/2" UNC x 1"	2				
22	913665	Hex. head bolt 3/8" - 16 UNC x 1.1/4"	2				
23	908566	Lock washer $\varnothing$ 3/8"	2				
24	912774	Hex. nut 3/8" - 16 UNC	2				

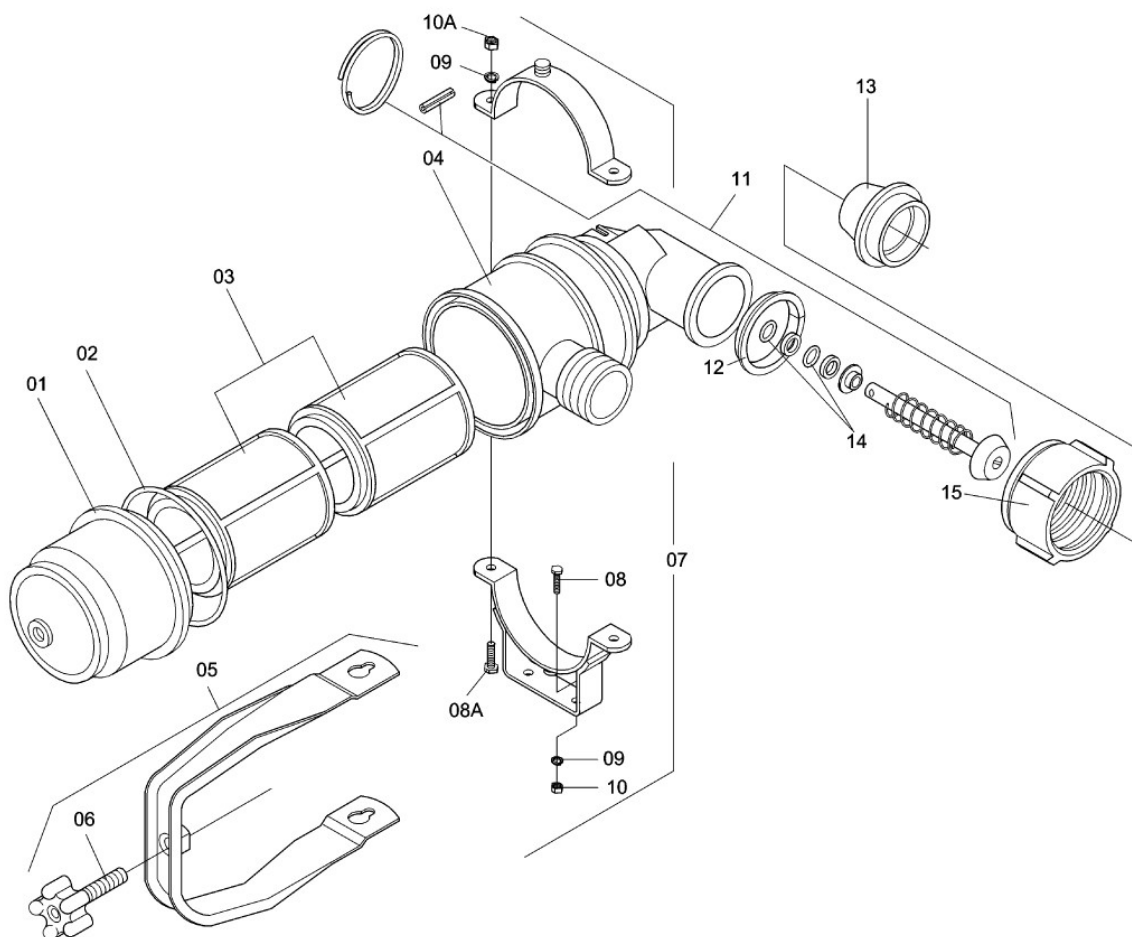
# FAN



**V-8**

Item	CODE	DESCRIPTION	Qty.	Item	CODE	DESCRIPTION	Qty.
00	518340	Fan	1	26	201087	Disc $\varnothing$ 70	1
01	518605	Fan housing	1	27	427567	Flexible pin $\varnothing$ 5 x 32	1
02	518100	Packing 15 x 2000 x 8.00	1	28	518753	Bolt 3/8" - 16 UNC x 1.1/4"	6
03	018457	Fan housing cover	1	29	908566	Lock washer $\varnothing$ 3/8"	14
04	910745	Self-locking screw $\varnothing$ 1/4" x 3/4"	10	30	518761	Hex. nut $\varnothing$ 3/8"	14
05	820324	Pillow block body	1	31	416735	Flat washer 100 x 260 x 30	8
06	989129	Fan rotor	1	32	912709	Bolt $\varnothing$ 3/8" - 16 UNC x 1"	8
07	984187	Shaft 446	1	33	422436	Flat washer 104 x 254 x 19	2
08	328062	Bearing no. 6207 SKF	2	34	520940	Trapeze belt A-58	5
09	429340	Inner and outer protector	2	35	446500	Sticker: "Fan lock instructions"	1
10	518118	Spacer ring	1	36	360230	Sticker: protectors indication	1
11	517466	Pulley 121-5A	1	37	039420	Sticker: "Chemicals" (Port.)	1
12	519793	Square key 9.53 (3/8") x 45	1	38	358465	Fan lock guard	1
13	203067	Snap ring for shaft $\varnothing$ 35	1	39	434084	Fan housing cover	1
14	518126	Spacer ring 42.2 x 2.7	2	40	049361	Sticker: "Jacto" - Cannon Sprayer J600	2
15	202549	Fixed bearing	2				
16	018713	Grooved hub with pins					
17	111245	Grease nipple 1/4" x 28 UNF x 45	1				
18	011643	O-ring ORI-129	1				
19	881243	Flat washer 170 x 300 x 19	1				
20	204537	Compression spring	1				
21	201103	Coupling hub	1				
22	425892	Spring seat ring	1				
23	108787	Nut DODI-LOC $\varnothing$ 1/2" - 13 UNC	1				
24	007179	Screw $\varnothing$ 3/16" UNC x 5/8"	1				
25	520676	Lock washer M5	2				

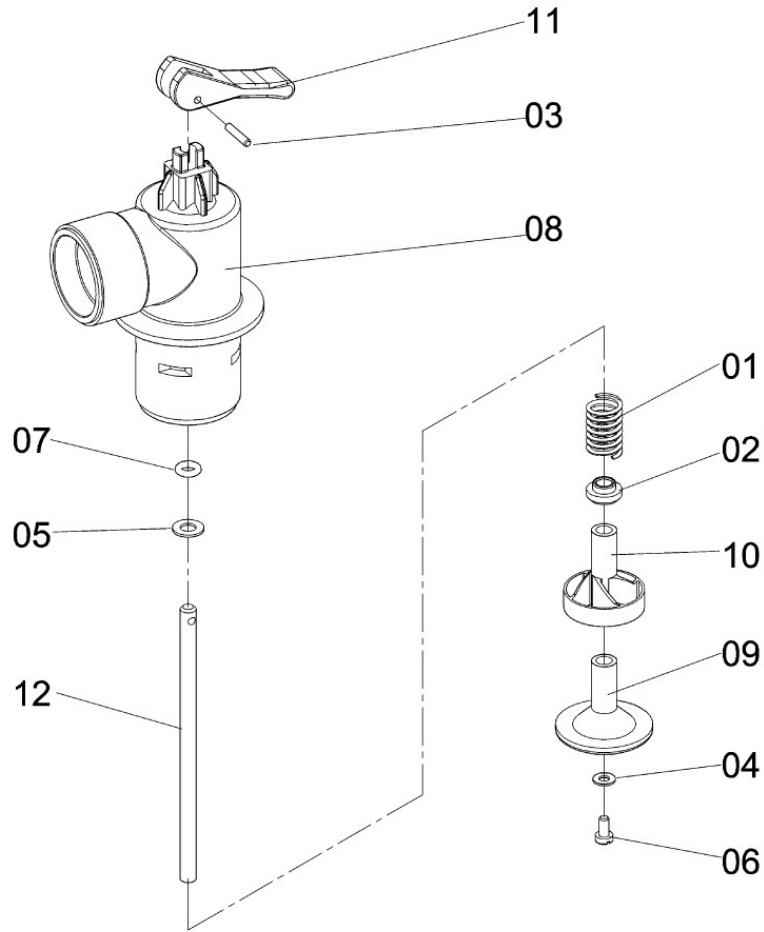
# FILTER FVS 102



**F-23**

Item	CODE	DESCRIPTION	Qty.	Item	CODE	DESCRIPTION	Qty.
00	613596	Filter FVS 102	1				
01	005793	Filter cover	1				
02	012138	O-ring ORI - 241	1				
03	613604	Double filtering element	1				
04	005785	Filter body	1				
05	110866	Handle	1				
06	011734	Knobbed screw	1				
07	107904	Strap with support	1				
08	910489	Bolt $\varnothing$ 1/4" 28 - UNF x 5/8"	2				
08A	007229	Bolt 1/4" x 20 UNC x 3/4"	2				
09	910117	Lock washer $\varnothing$ 1/4"	2				
10	910125	Nut $\varnothing$ 1/4"- 28 UNF	2				
10A	912741	Nut $\varnothing$ 1/4" - 20 UNC	2				
11	005942	Filter valve assembly	1				
12	005918	Locking ring	1				
13	005934	Valve seat	1				
14	416669	O-ring OR1-110	2				
15	005900	Coupling nut	1				

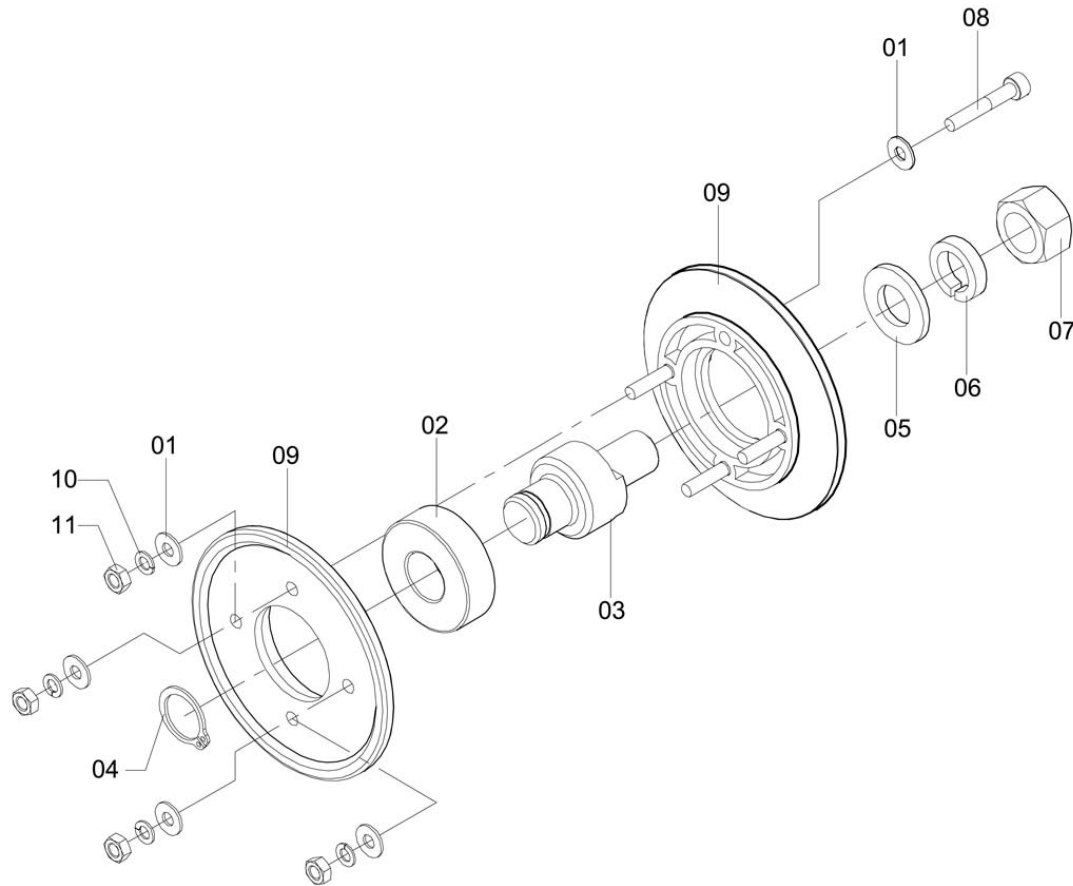
## DIRECTIONAL VALVE



CV-167

Item	CODE	DESCRIPTION	Qty.	Item	CODE	DESCRIPTION	Qty.
00	054395	Directional valve	1				
01	044057	Compression spring 12.7	1				
02	048199	Seal	1				
03	049858	Lever pin	1				
04	050187	Flat washer 43 x 90 x 8	1				
05	050195	Flat washer 64 x 125 x 95 stainless steel	1				
06	050211	Screw M4 x 8	1				
07	050237	O-ring OR2-108	1				
08	054403	Valve body	1				
09	054429	Piston cup	1				
10	054437	Guide	1				
11	054445	Rinse nozzle lever	1				
12	054452	Spring Guide Pin	1				

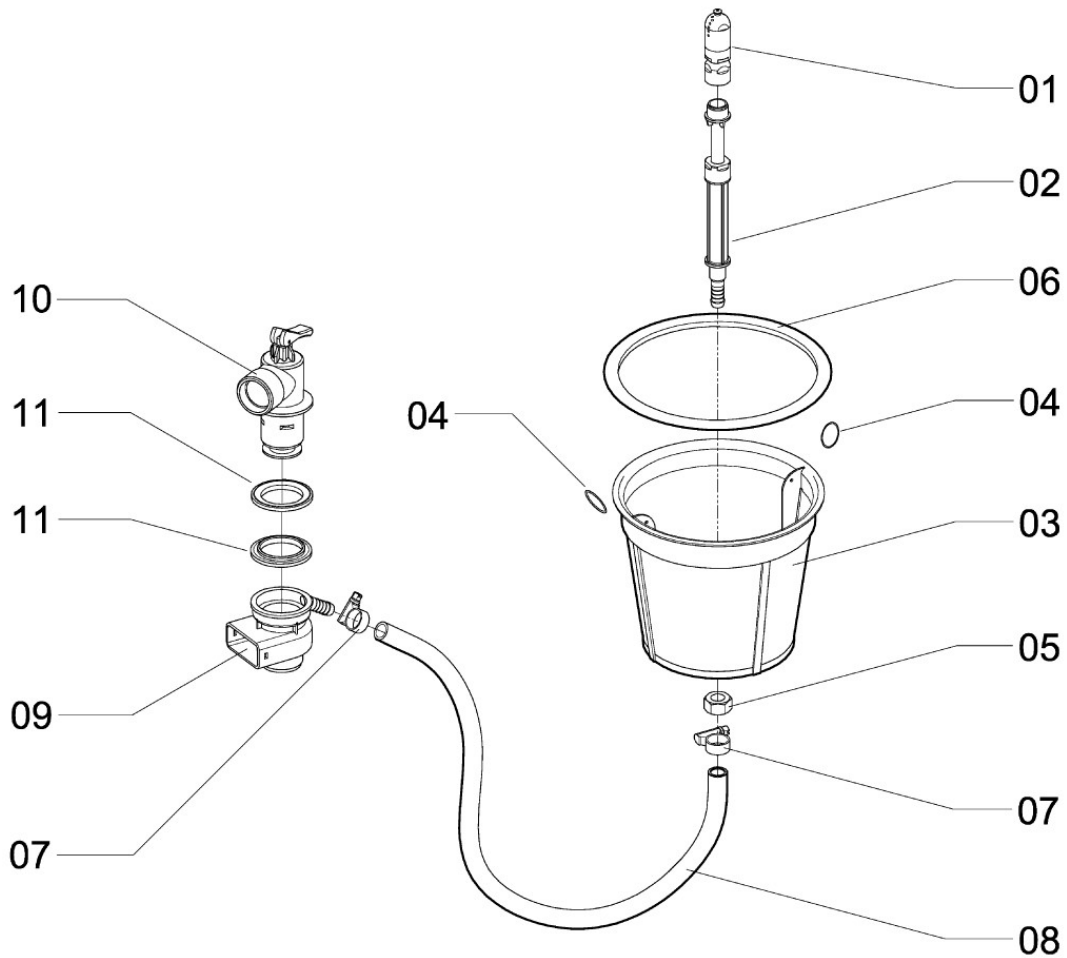
## TIGHTENING PULLEY ASSEMBLY 78 (SHAFT Ø 15 X 50,5)



LE-14

Item	CODE	DESCRIPTION	Qty.	Item	CODE	DESCRIPTION	Qty.
00	645416	Tightening pulley assembly 78 (Shaft ø 15 x 50,5)	1				
01	508515	Flat washer no. 43 x 102 x 8	8				
02	328781	Fixed bearing	1				
03	817627	Tightening pulley shaft 15 x 50.5	1				
04	910851	Snap ring for shaft 15	1				
05	818112	Flat washer 130 x 240 x 30	1				
06	908582	Lock washer 1/2"	1				
07	912790	Hex. nut 1/2" - 13 UNC	1				
08	1148396	Screw M4 X 0.7 MM 25 Comp	4				
09	644641	Pulley disk ø 78 - 1A	2				
10	520700	Lock washer M4	4				
11	551523	Hex. nut M-4 x 0.7 stainless steel	4				

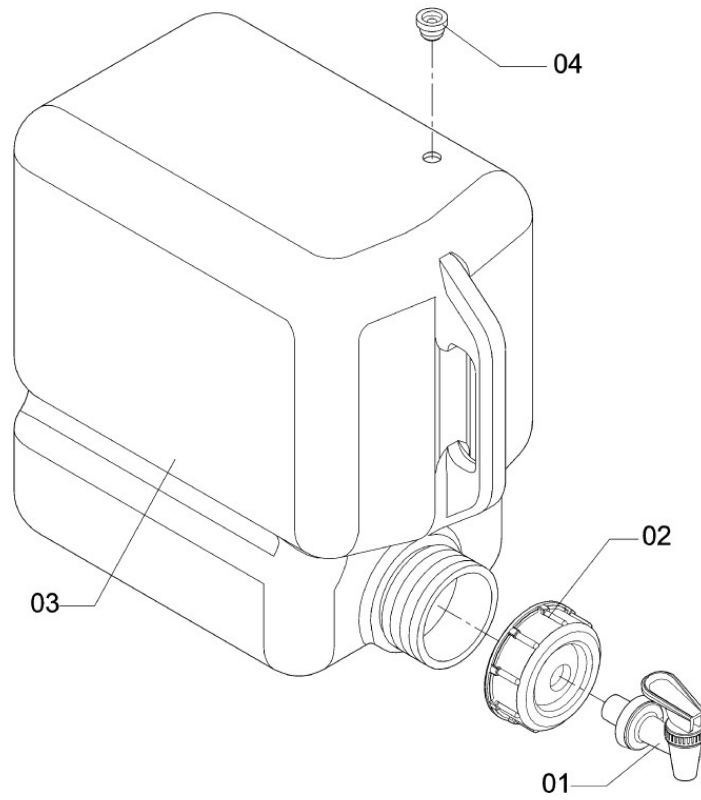
## CHEMICAL CONTAINER RINSE NOZZLE KIT



KIT-29

Item	CODE	DESCRIPTION	Qty.	Item	CODE	DESCRIPTION	Qty.
00	060434	Chemical container rinse nozzle kit	1				
01	071944	Rinse nozzle	1				
02	088237	Chemical container rinse nozzle rod	1				
03	061788	Strainer 190-2T	1				
04	622969	Double ring ø 22 x 26 x 3	2				
05	938498	Hex. nut M16 x 2.00	1				
06	516393	Strainer packing ring	1				
07	107664	Clamp D14-22 - stainless steel	2				
08	071886	Hose 12.7 (1/2") x 600	1				
09	054411	Valve fastener	1				
10	054395	Directional valve	1				
11	088245	Packing ring	2				

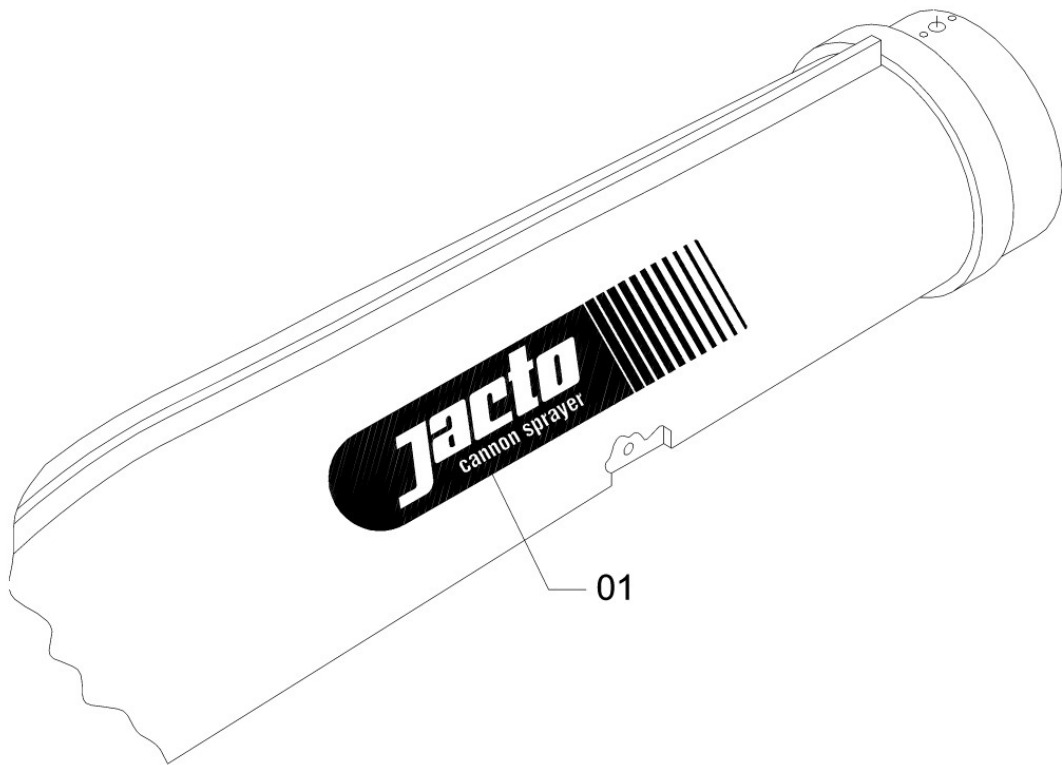
# 15-LITER TANK ASSEMBLY



**D-73**

Item	CODE	DESCRIPTION	Qty.	Item	CODE	DESCRIPTION	Qty.
00	299768	15-liter tank assembly	1				
01	044180	Plastic tap 23 x 3/8" BSP	1				
02	247262	Cover	1				
03	299875	15 liter tank	1				
04	398594	Breather	1				

**STICKER: "JACTO" CANNON SPRAYER D**

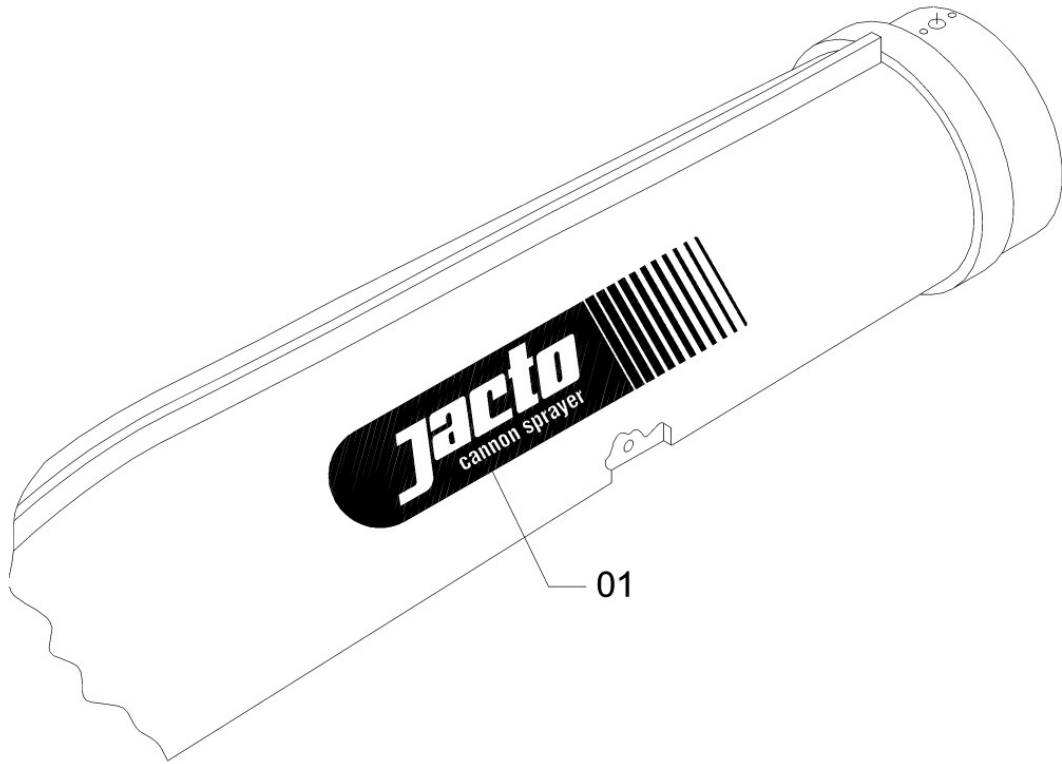


**ADS-34**

Item	CODE	DESCRIPTION	Qty.
00	049379	Sticker: "Jacto" Cannon Sprayer D	1
01	049379	Sticker: "Jacto" - Cannon Sprayer D	1

Item	CODE	DESCRIPTION	Qty.

**STICKER: "JACTO" - CANNON SPRAYER E**

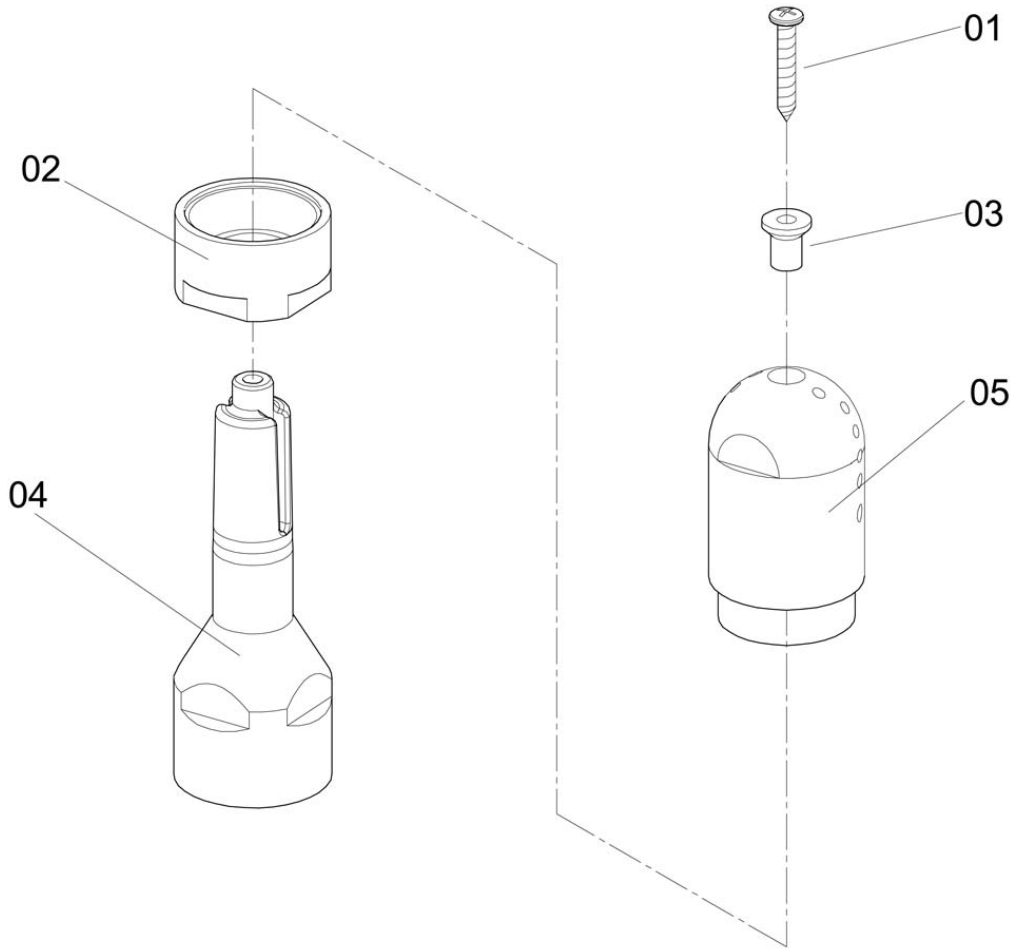


**ADS-34**

Item	CODE	DESCRIPTION	Qty.
00	049387	Sticker: "Jacto" - Cannon Sprayer E	1

Item	CODE	DESCRIPTION	Qty.

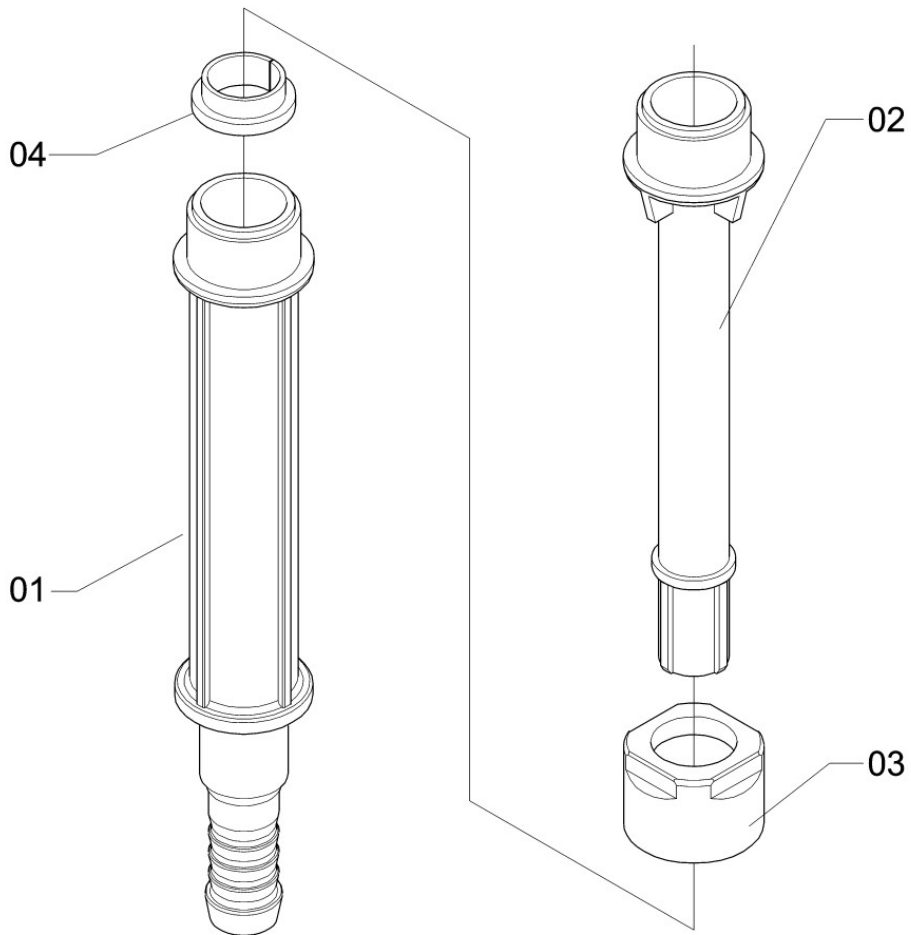
# RINSE NOZZLE



**KIT-75**

Item	CODE	DESCRIPTION	Qty.	Item	CODE	DESCRIPTION	Qty.
00	071944	Rinse nozzle	1				
01	483628	Bolt 2.9 x 22	1				
02	059055	Nozzle nut	1				
03	061119	Bushing	1				
04	058909	Nozzle core	1				
05	060426	Nozzle body	1				

## CHEMICAL CONTAINER RINSE NOZZLE ROD

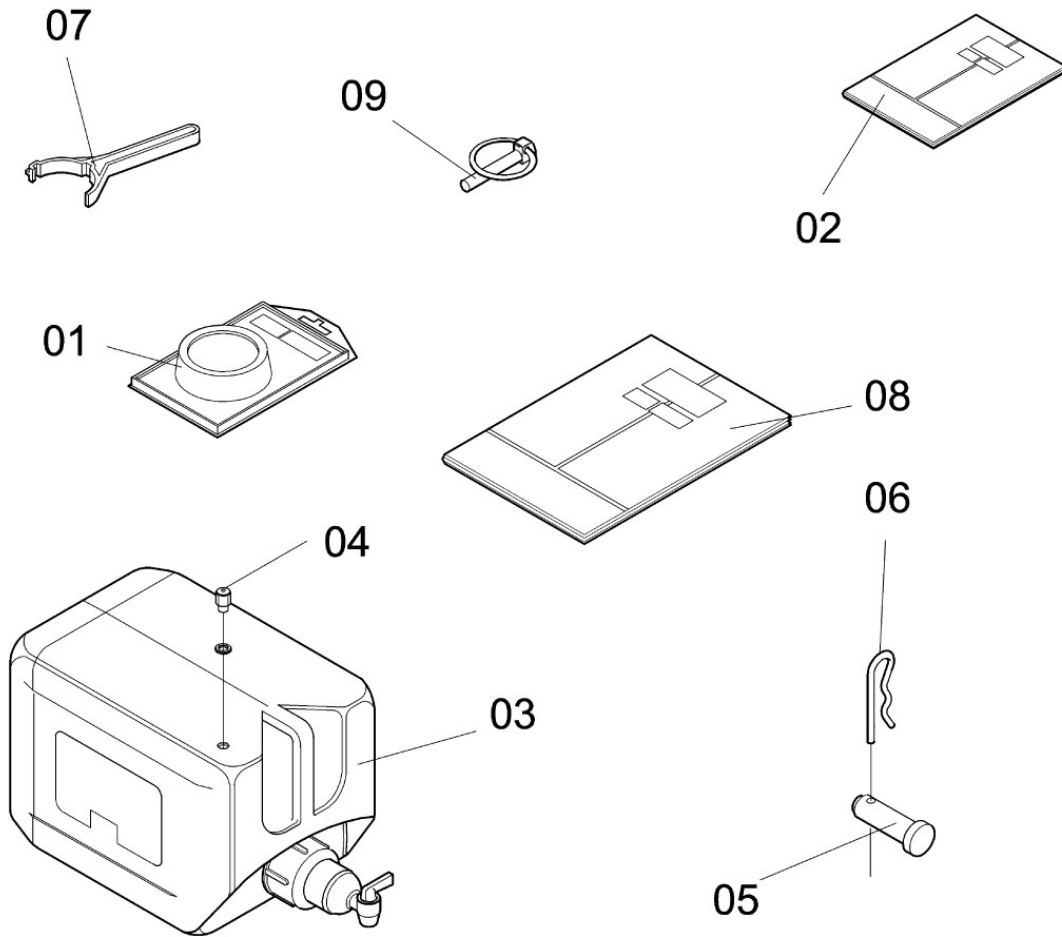


KIT-76

Item	CODE	DESCRIPTION	Qty.
00	088237	Chemical container rinse nozzle rod	1
01	058834	Nozzle rod	1
02	083907	Rod extension	1
03	087882	Extension nut	1
04	134221	Lock ring	1

Item	CODE	DESCRIPTION	Qty.

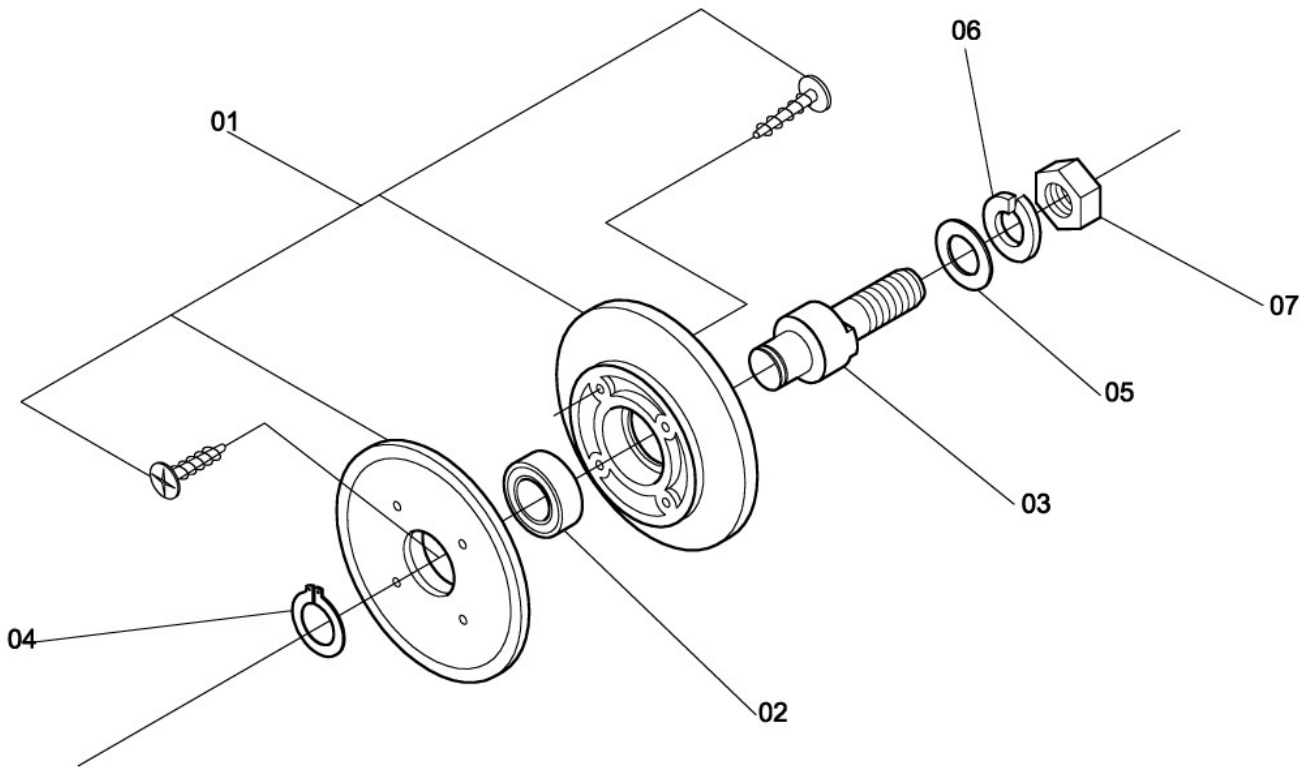
**ACCESSORIES BOX FOR "JATÃO SUPER 600"**



**CXA-107**

Item	CODE	DESCRIPTION	Qty.	Item	CODE	DESCRIPTION	Qty.
00	138487	Accessories box for "Jatão Super 600"	1				
01	000026	Cone nozzle JA-2 (black)	6				
02	158576	Operator's manual-Chemical container rinse nozzle	1				
03	084558	12-liter tank with breather and tap	1				
04	341909	Breather	1				
05	517383	Upper coupling pin 1" x 95	1				
06	517409	Cotter pin 3/16"	1				
07	703694	Key 40-45	1				
08	767533	Operator's manual -"JS - 600" (Inglês)	1				
09	812636	Universal lock pin 7/16"	2				

## TIGHTENING PULLEY ASSEMBLY 78 X 1A (PE-78 I)



LE-7

Item	CODE	DESCRIPTION	Qty.	Item	CODE	DESCRIPTION	Qty.
00	645416	Tightening pulley assembly 78 x 1A (PE-78 I)	1				
01	660605	Split pulley and screws	1				
02	328781	Fixed bearing	1				
03	817627	Tightening pulley shaft 15 x 50.5	1				
04	910851	Snap ring for shaft 15	1				
05	418152	Flat washer 132 x 258 x 26.5	1				
06	908582	Lock washer 1/2"	1				
07	912790	Hex. nut 1/2" - 13 UNC	1				