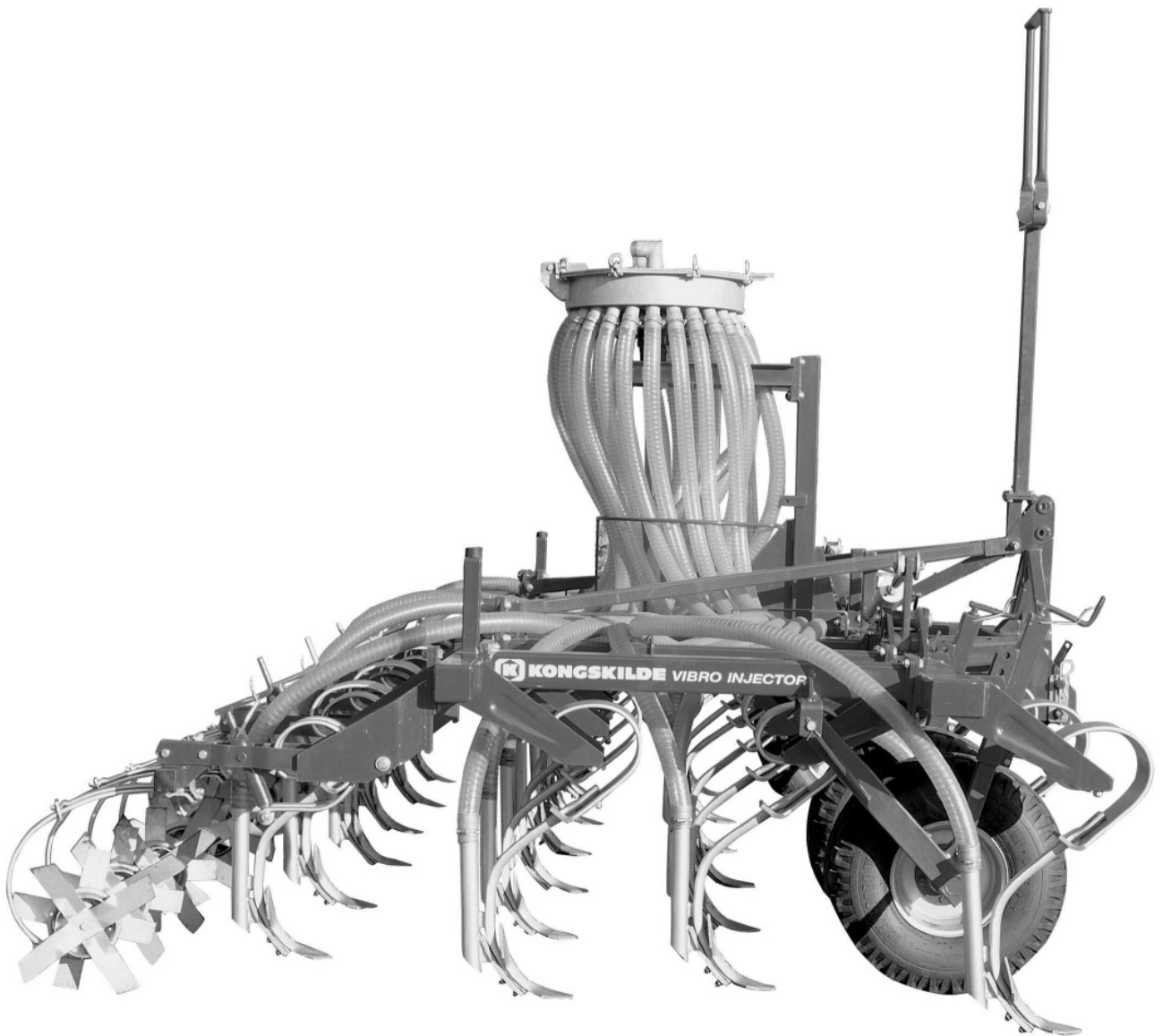
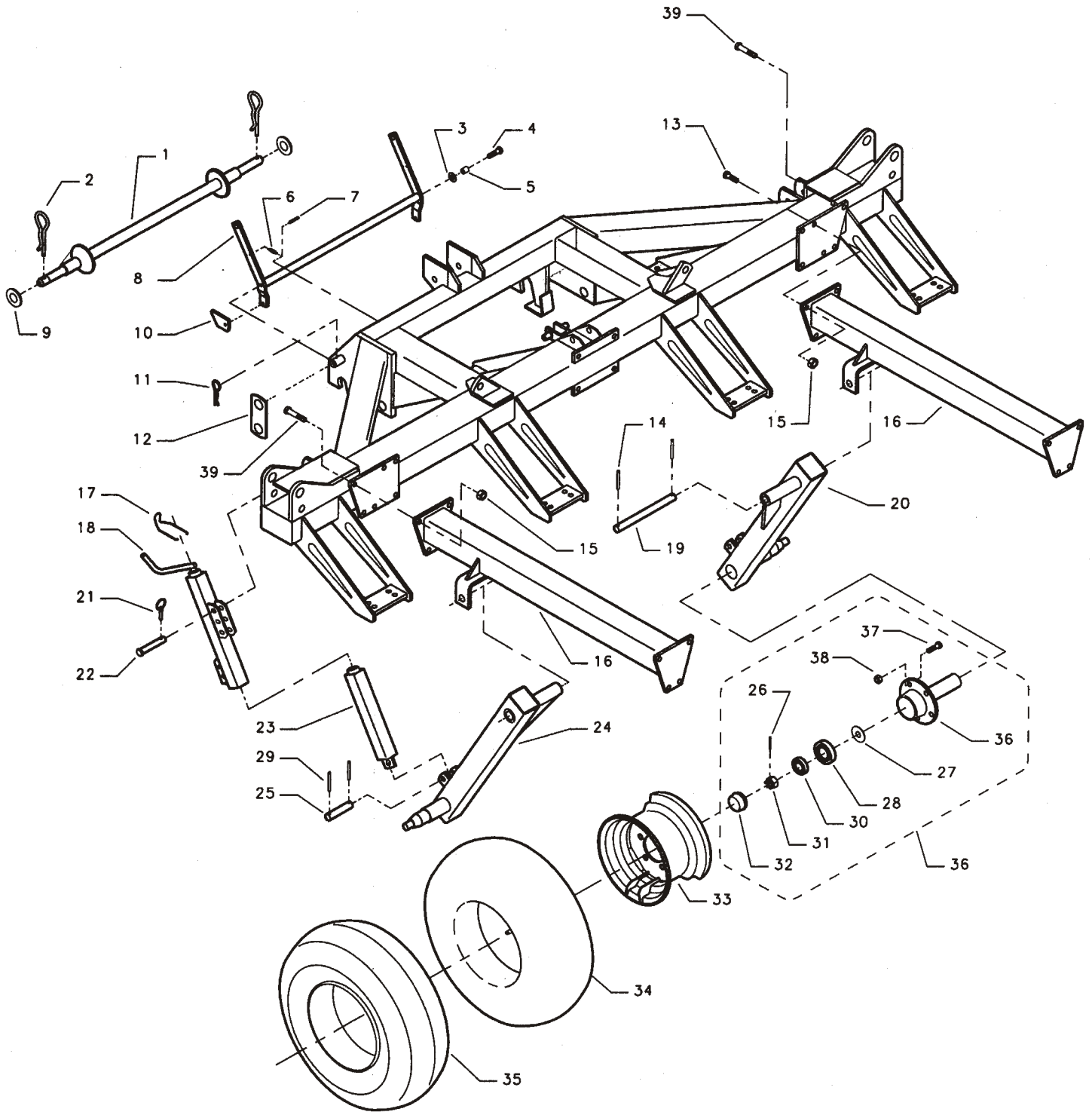
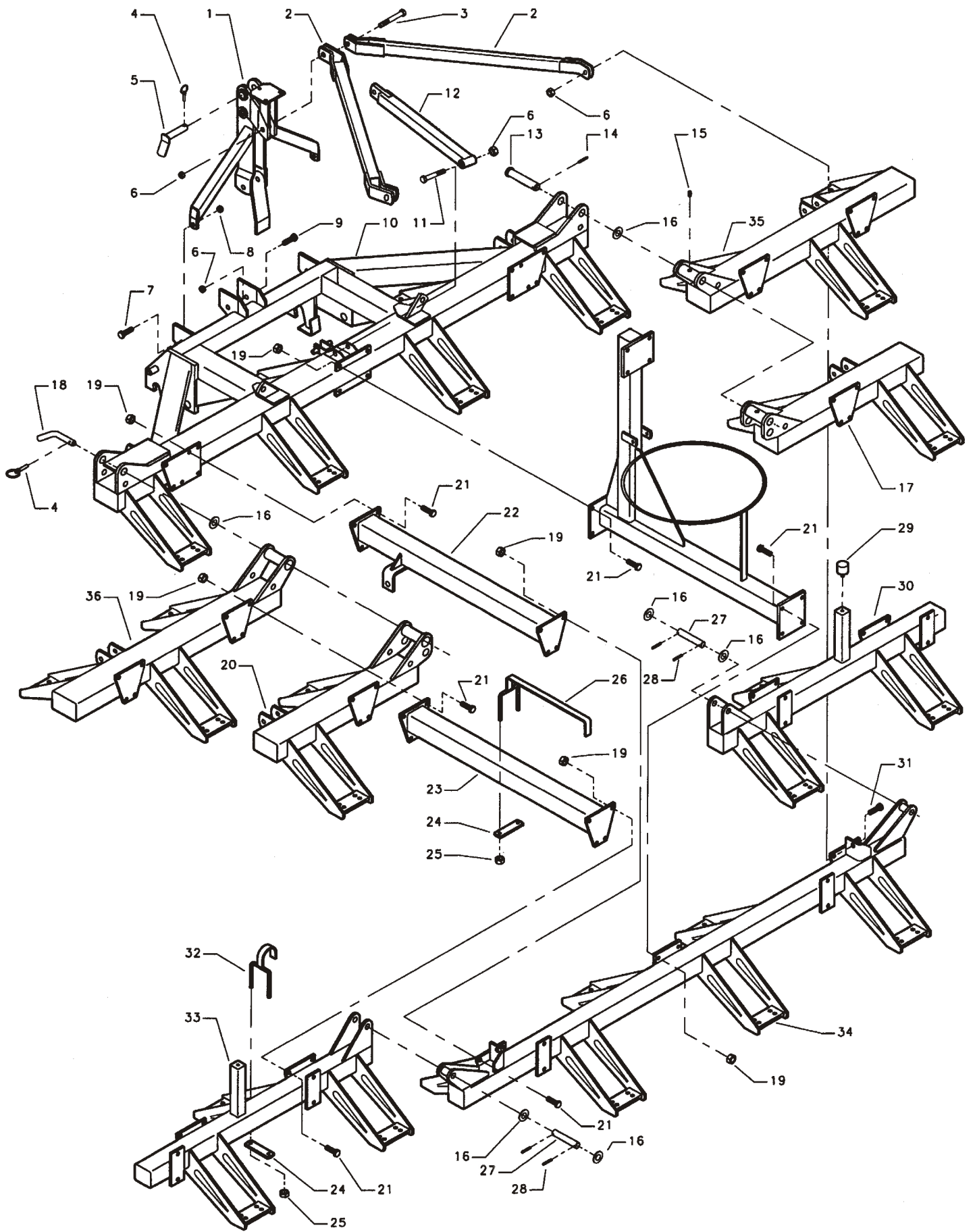


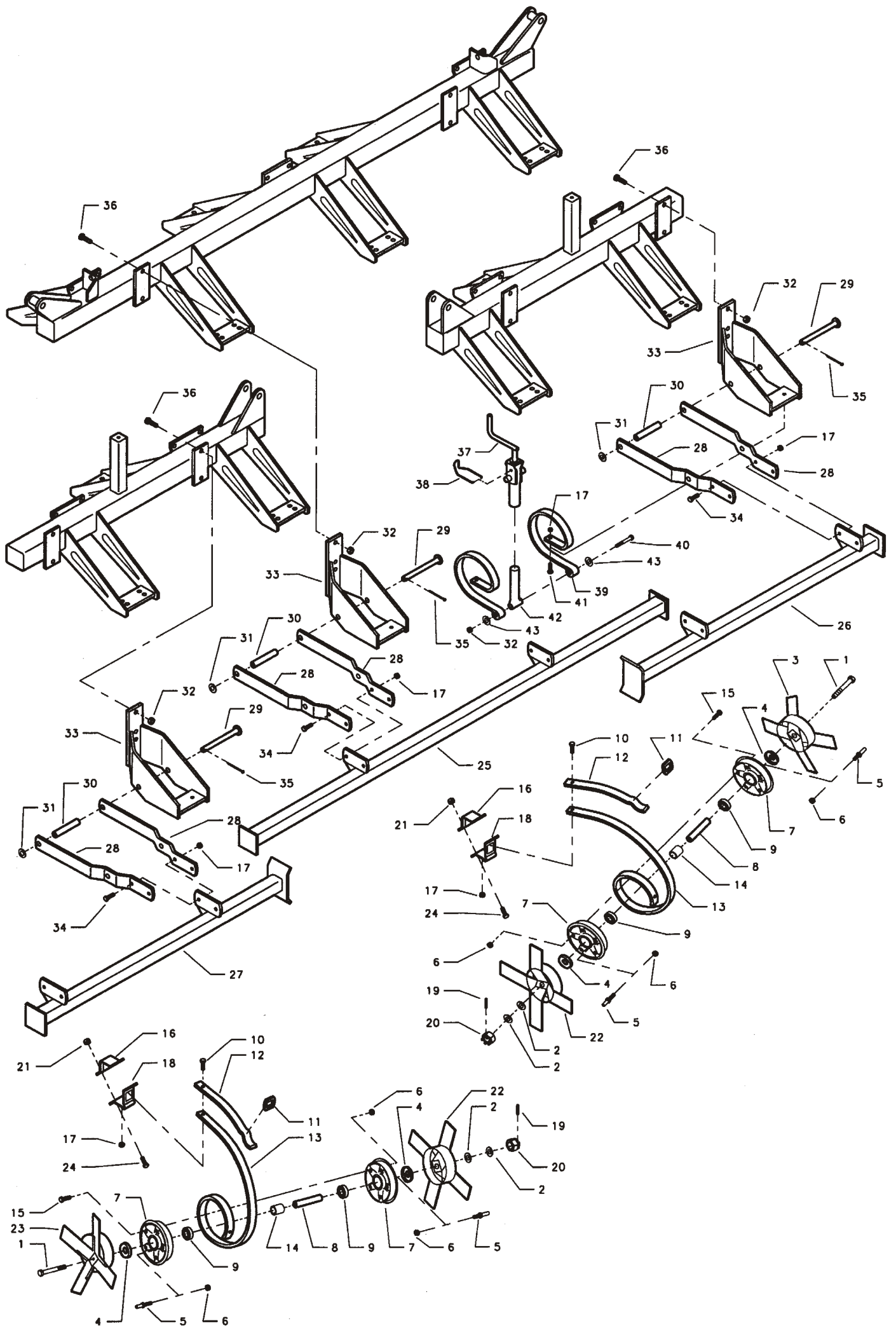
VIBRO-INJECTOR 4000

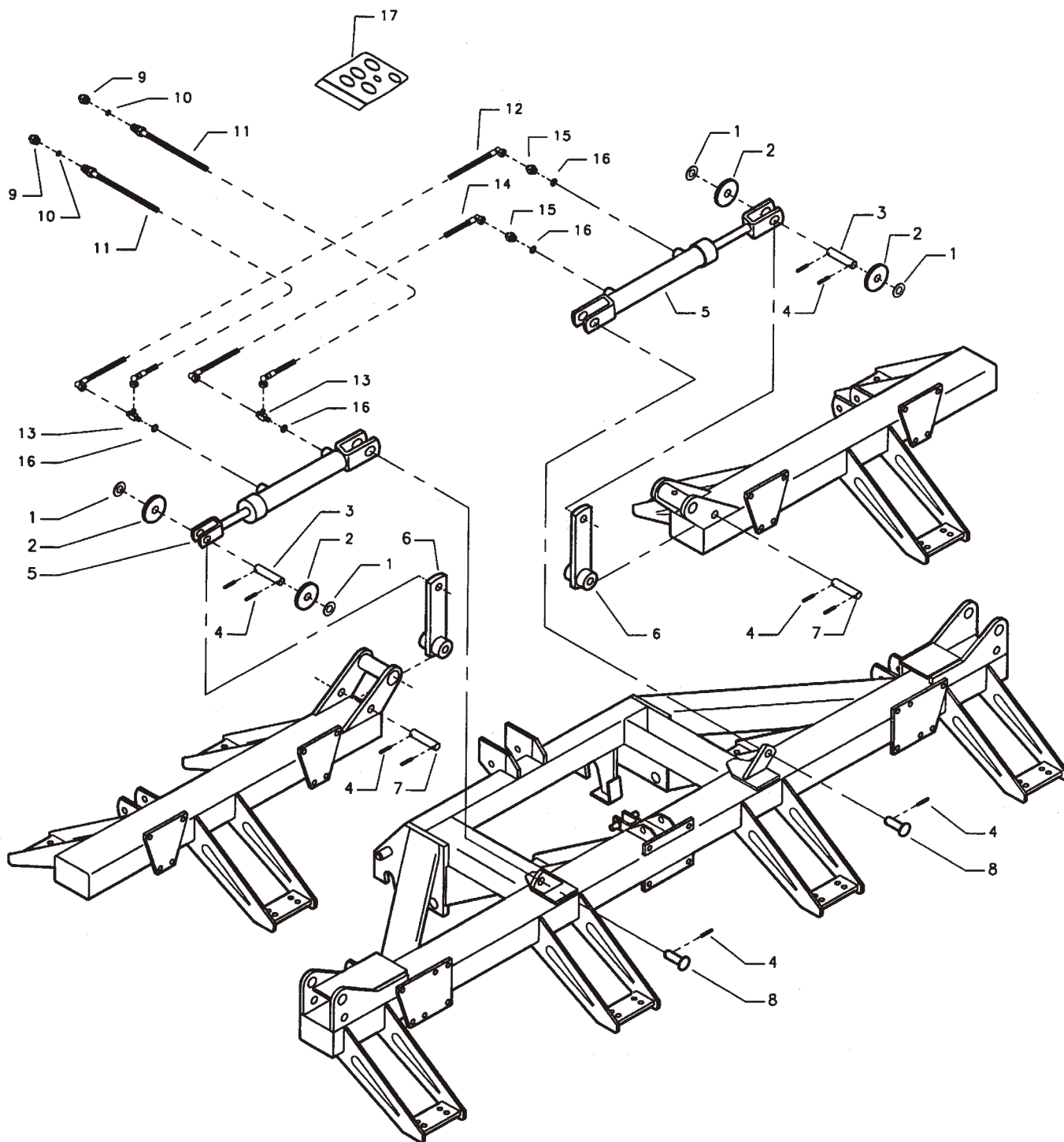


**Ersatzteilliste
Spare parts list
Liste di pièce de rechange**









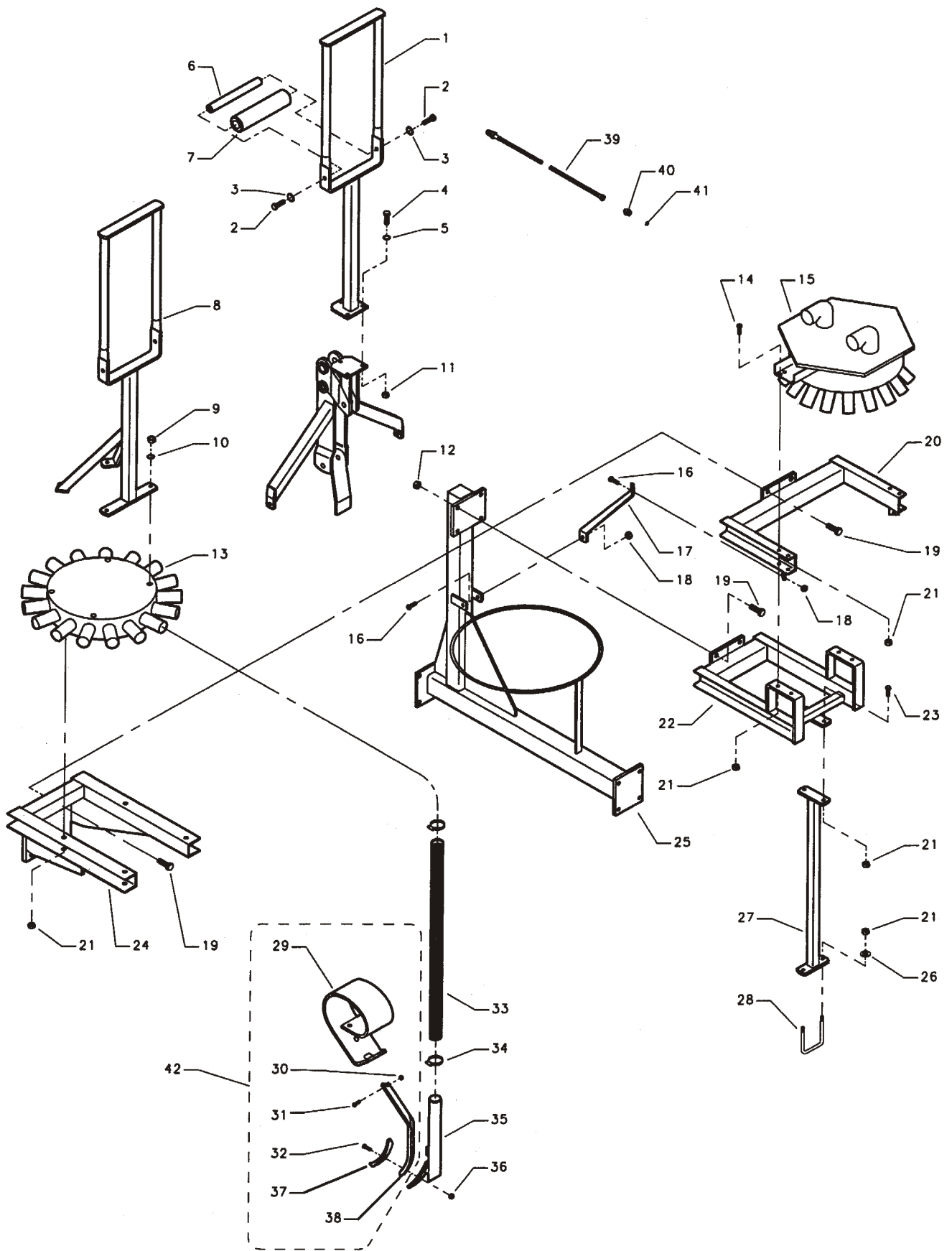


Fig.	Serial no.	Part no.	Pieces	Notes
1		105 090 250	1	For Vogelsang
2		300 304 208	2	M16x30 mm steel bolt
3		300 332 018	2	M16 spr.washer
4		300 304 048	3	M12x45 steel bolt
5		300 332 008	3	Ø13 flat washer
6		105 090 243	1	
7		105 090 244	1	
8		105 090 252	1	For Samex
9		300 304 034	4	M10 lock nut
10		300 332 027	4	M10 flat washer
11		300 316 020	3	M10 lock nut
12		300 316 023	4	M16 lock nut
13		105 090 675	1	Samex 21 outlets
		105 090 676	1	Samex 25 outlets
14		300 304 181	4	M12x50 steel bolt
15		105 090 673	1	Vogelsang 21 outlets
		105 090 674	1	Vogelsang 25 outlets
16		300 304 056	4	M12x30 steel bolt
17		105 090 632	1	Left
		105 090 634	1	Right
18		300 316 021	4	M12 lock nut
19		300 304 093	4	M16x45 steel bolt
20		105 090 617	1	For Vogelsang 21
21		300 316 021	10	M12 lock nut
22		105 090 619	1	For Vogelsang 25
23		300 304 060	2	M12x50 steel bolt
24		105 090 621	1	For Samex 21/25
25		105 090 615	1	
26		300 332 008	2	M12 flat washer
27		105 090 623	1	
28		105 090 660	1	U-clamp M12
29		105 150 055	21	Typ:VFM 21 outlets
			25	Typ:VFM 25 outlets
30		300 316 032	21	M16 lock nut 21 outlets
			25	M16 lock nut 25 outlets
31		100 306 056	21	M16x45 steel bolt 21 outlets
			25	M16x45 steel bolt 25 outlets
32		100 323 306	42	M12x60 steel bolt 21 outlets
			50	M12x60 steel bolt 25 outlets
33		105 090 670	1	Hose Ø51 mm x5.50m
34		300 420 018	42	AP 40-60 stainless 21 outlets
			50	AP 40-60 stainless 25 outlets
35		105 090 235	21	Outlet pipe 21 outlets
			25	Outlet pipe 35 outlets
36		300 316 021	21	M12 lock nut 21 outlets
37		105 000 514	25	M12 lock nut 25 outlets
			21	Ultra mulching share
			25	Ultra mulching share
38		105 150 056	21	Typ:VFM 21 outlets
			25	Typ:VFM 25 outlets
39		105 090 677	2	5/8" x3000 mm with quick release nipple
40		100 420 145	1	1/2"x5/8" nipple
41		100 413 153	1	1/2" seal
42		105 150 135		

