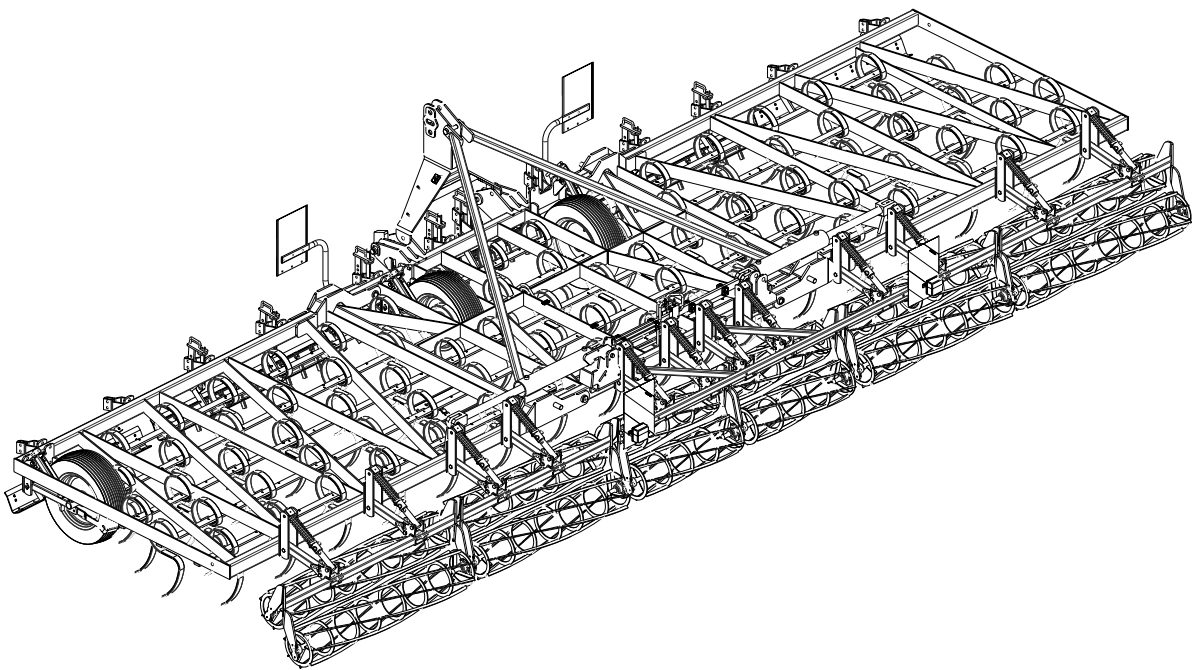


VIBRO MASTER 3000



**Ersatzteilliste
Spare parts list
Liste di pièce de rechange**

Tab. 1

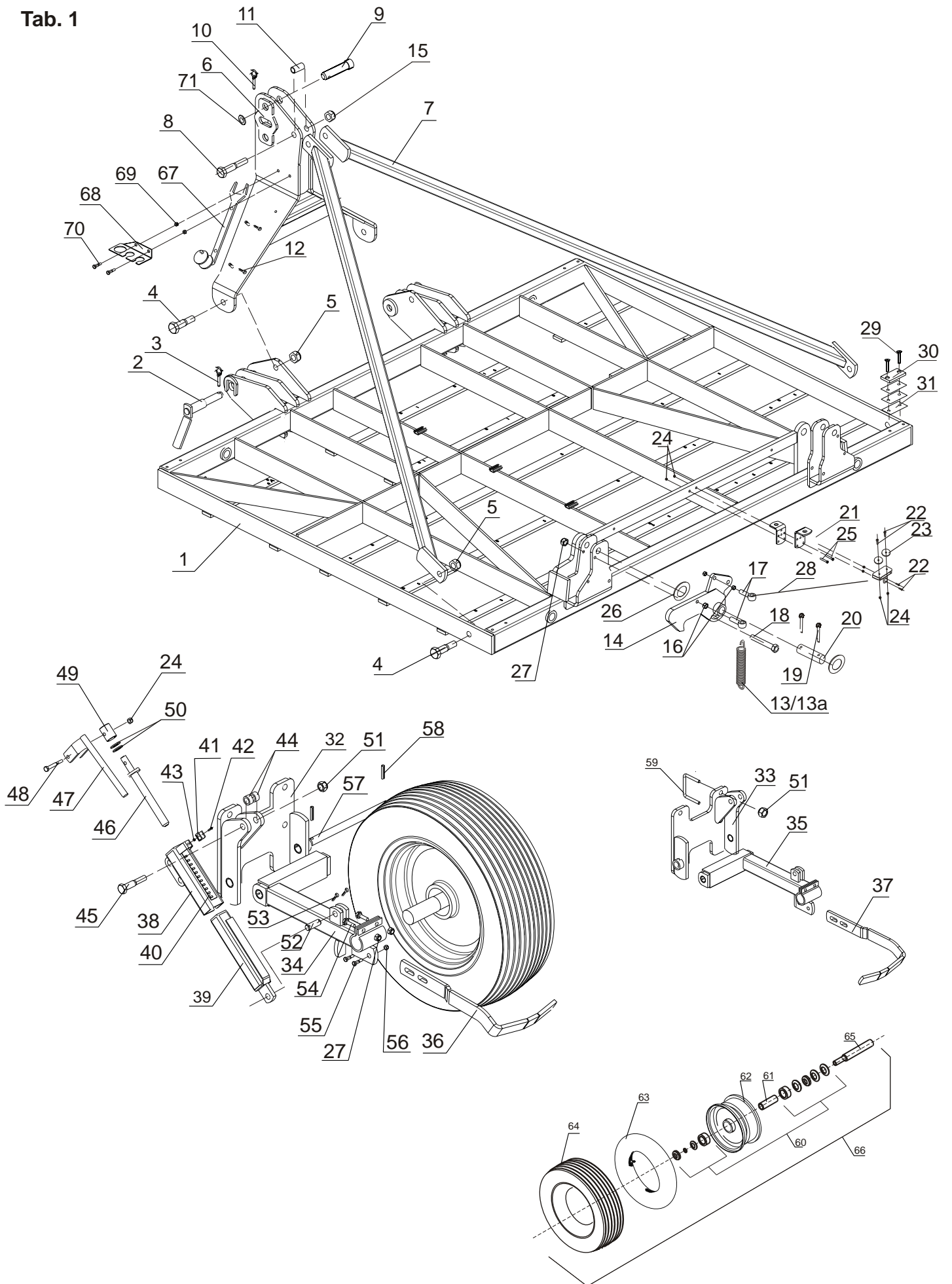
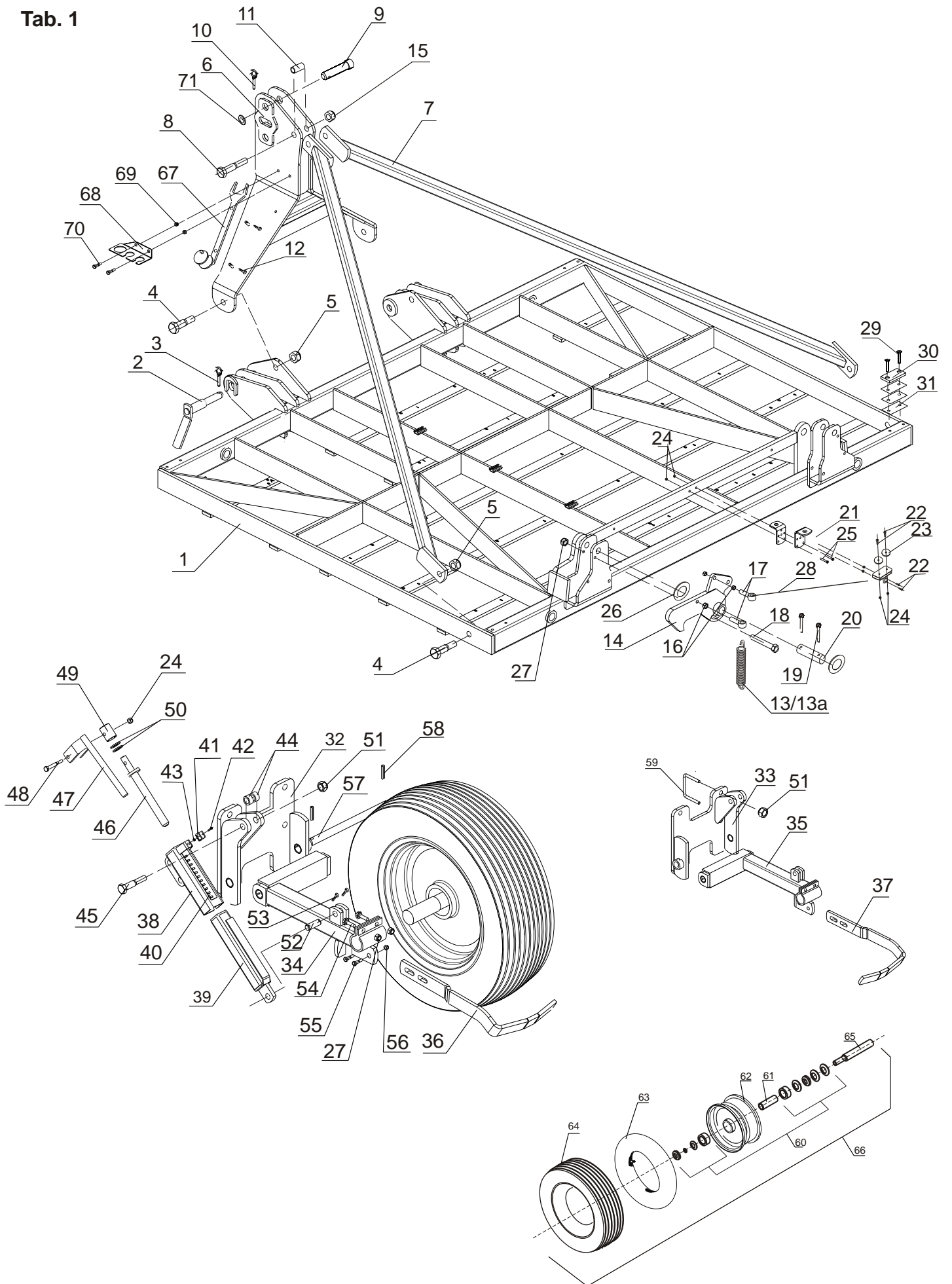
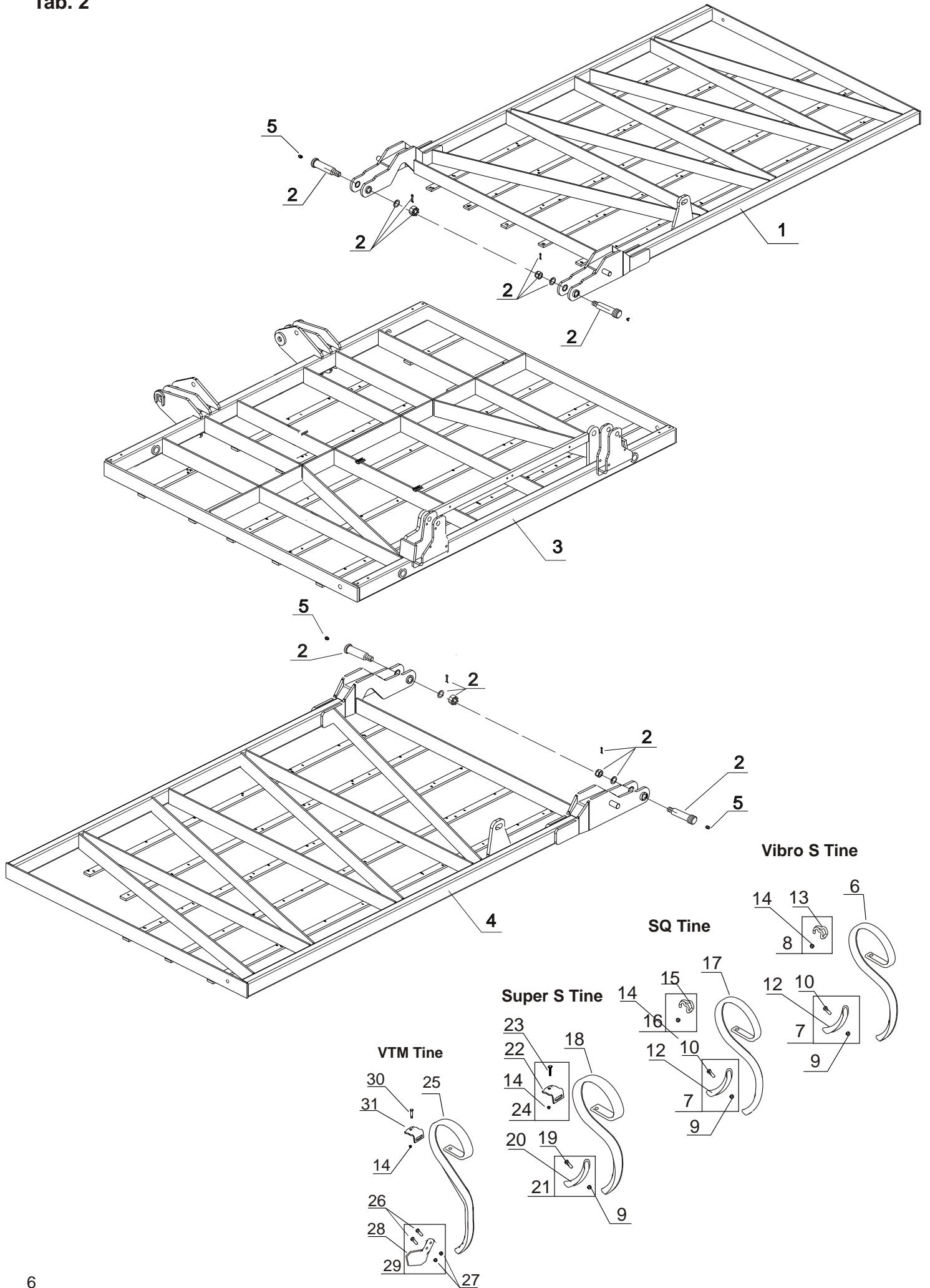


Fig.	Serial no.	Part no.	Pieces	Notes		
1		300219700	1	Central frame		
2		300006047	2	PIN KAT 2/3 47,5x207		
3		300323046	2	Linch pin		
4		300304228	4	Screw	M24x60 8.8	DIN 933
5		300316040	5	Nut	M 24	DIN 985
6		300267600	1	Headstock		
7		300267700	2	Arm		
8		300304291	1	Screw	M24x140 10.9	DIN 931
9		71000186791	1	Pin cat. 3		
10		71208014530	1	Linch pin	1MM/43MM	
11		300004428	1	Distance bushing		
12		300333067	2	Safety piece		DIN 11024
13		7002150647	2	Spring for manual operate hooks		
13a		371002803	2	Spring for automatic operate hooks		
14		300264200	2	Hook		
15		300316012	1	Nut	M 24x2	DIN 985
16		300315001	2	Nut	M 10	DIN 934
17		300304262	2	Eye bolt	M10 x 40	DIN 444
18		7000603305	2	Bolt	M16 x 95	DIN 931
19		300333062	4	Pin	6.3x63	DIN 94
20		101200667	2	Split bolt	25x110	
21		300005376	1	Holder valve		
22		300304156	2	Bolt	M8x30	DIN 933
23		7002001001	2	Pulley		
24		300316027	4	Nut	M8	DIN 985
25		300304163	2	Bolt	M8x70	DIN 931
26		300332035	4	Washer	M24	DIN 126
27		300316020	2	Nut	M10	DIN 985
28		300002074	2	String		
29		100304023	8	Bolt	M10x30-8.8	
30		300005362	4	Plate stop system		
31		300005404	12	Distance plate		
32		300243800	2	Wheel bracket left		
33		300243900	2	Wheel bracket right		
34		300237100	2	Wheel arm left		
35		300237200	2	Wheel arm right		
36		310004026	2	Scraper left		
37		310004025	2	Scraper right		
38		300236700	4	Spindle outer tube		
39		300236600	4	Spindle inner tube		
40		700TT30579	4	Sticker		
41		7000603228	4	Handle retained		
42		300308004	4	Bolt	M5 x 14	DIN 933
43		300316025	4	Nut	M12	DIN 985
44		300004561	8	Distance busching		
45		300304242	4	Bolt	M16x80	DIN 931
46		300221800	4	Deep adj. bolt		
47		300274700	4	Handle		
48		300304162	8	Bolt	M8x60	Din 931
49		300004638	4	Bushing		
50		300332009	8	Washer	M16	DIN 126
51		300316023	4	Nut	M16	DIN 985
52		105000667	4	Pin		
53		300333058	8	Pin	4x25	DIN 94
54		300304034	8	Bolt	M10x30	DIN 933
55		300304058	8	Bolt	M12x40	DIN 933
56		300316021	8	Nut	M12	DIN 985
57		300004948	4	Pin		
58		300323038	8	Tension pin	8x40	DIN 1481
59		71208007952	1	U-bolt	M16	

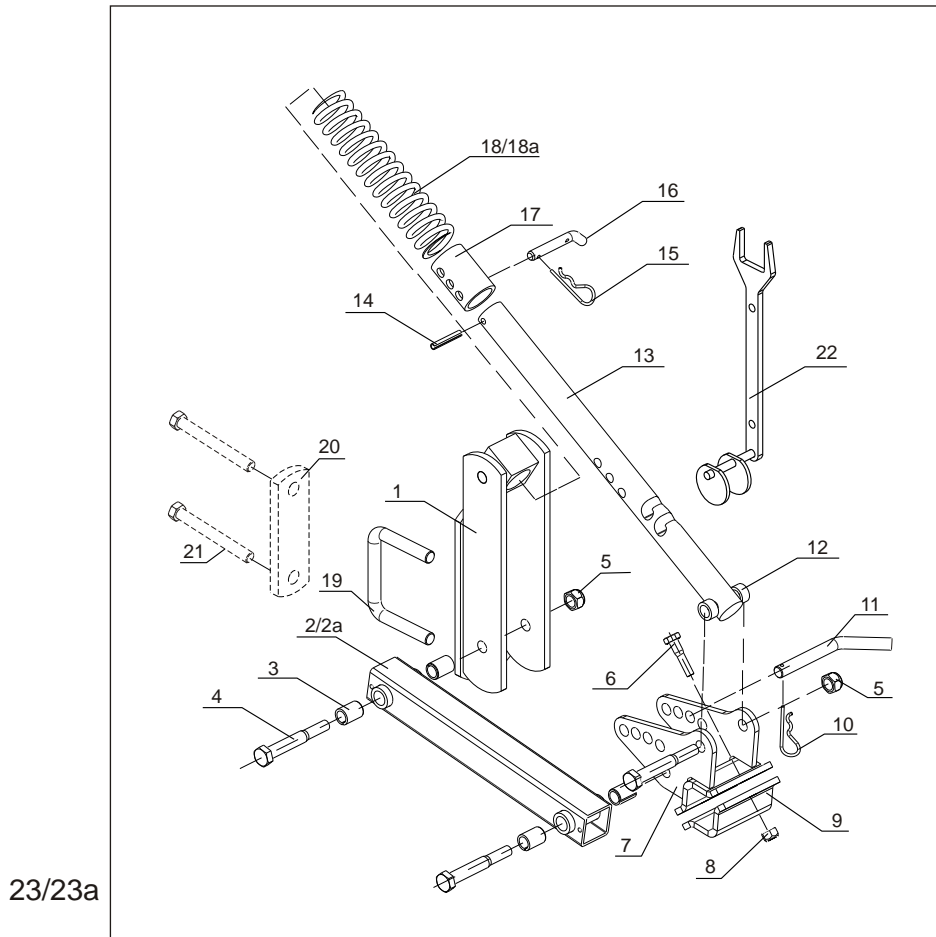
Tab. 1



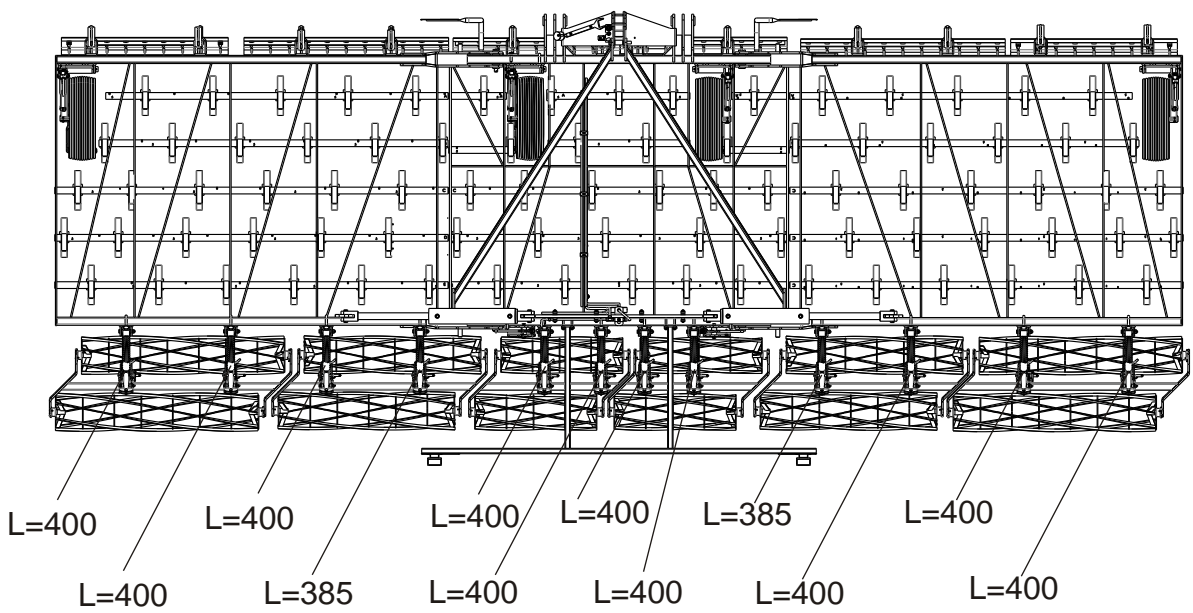
Tab. 2



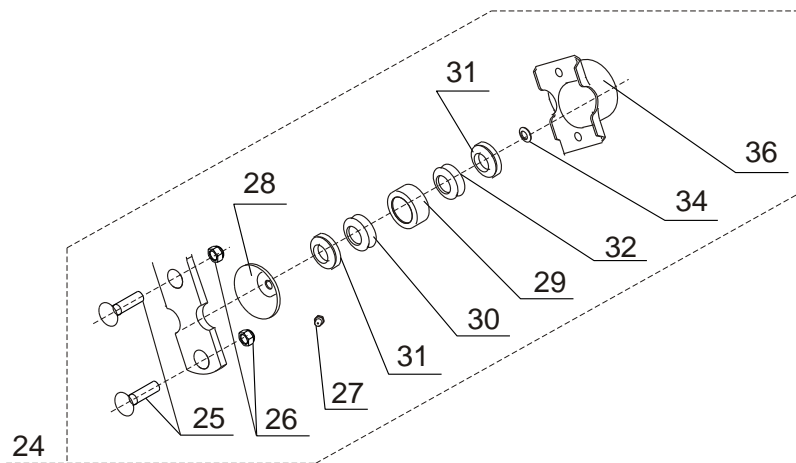
Tab. 3



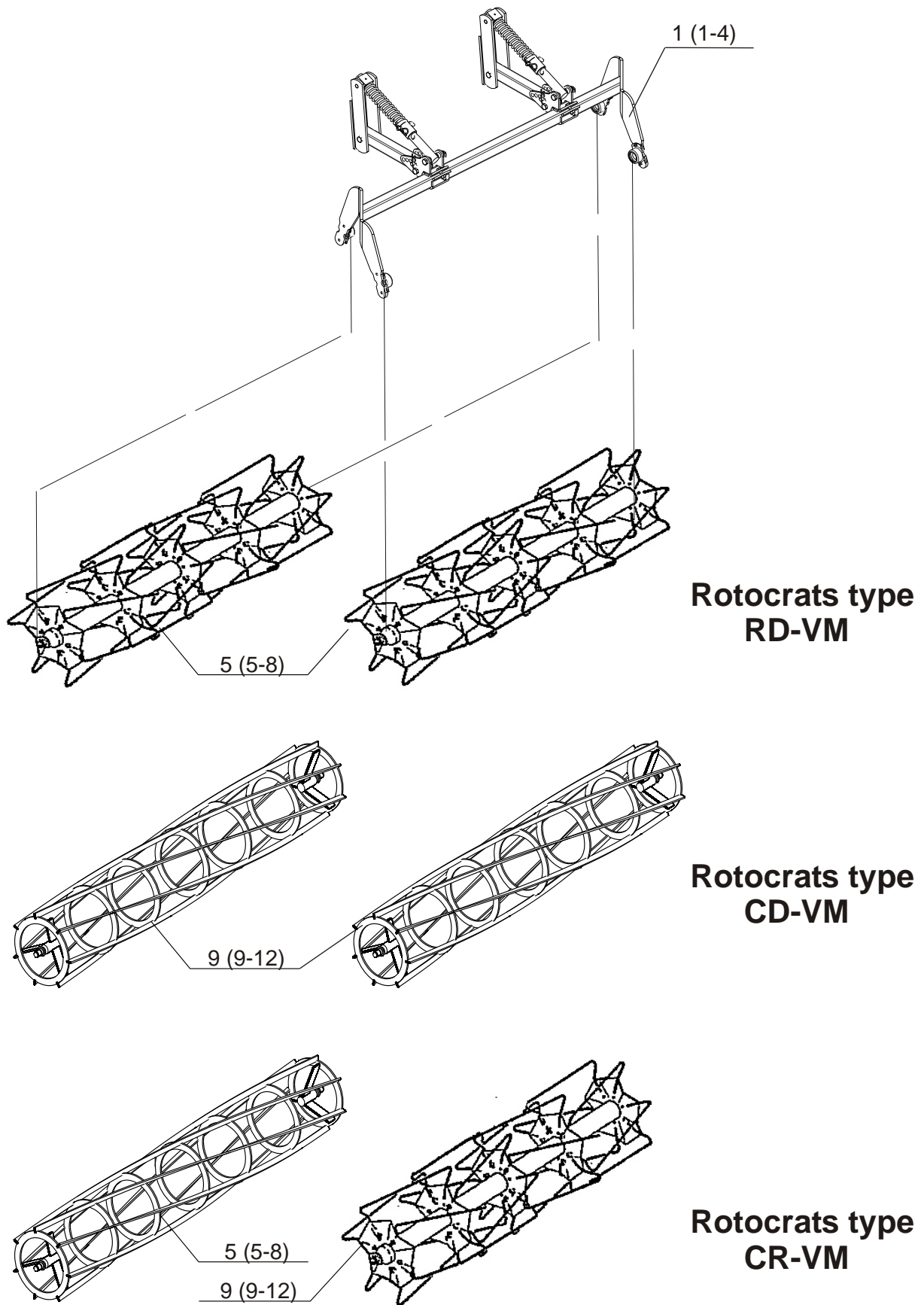
Each working width has a two shorter rollers arms placed behind rear hinge of the wing and bolted by ordinary bolts and plates.



Tab. 4



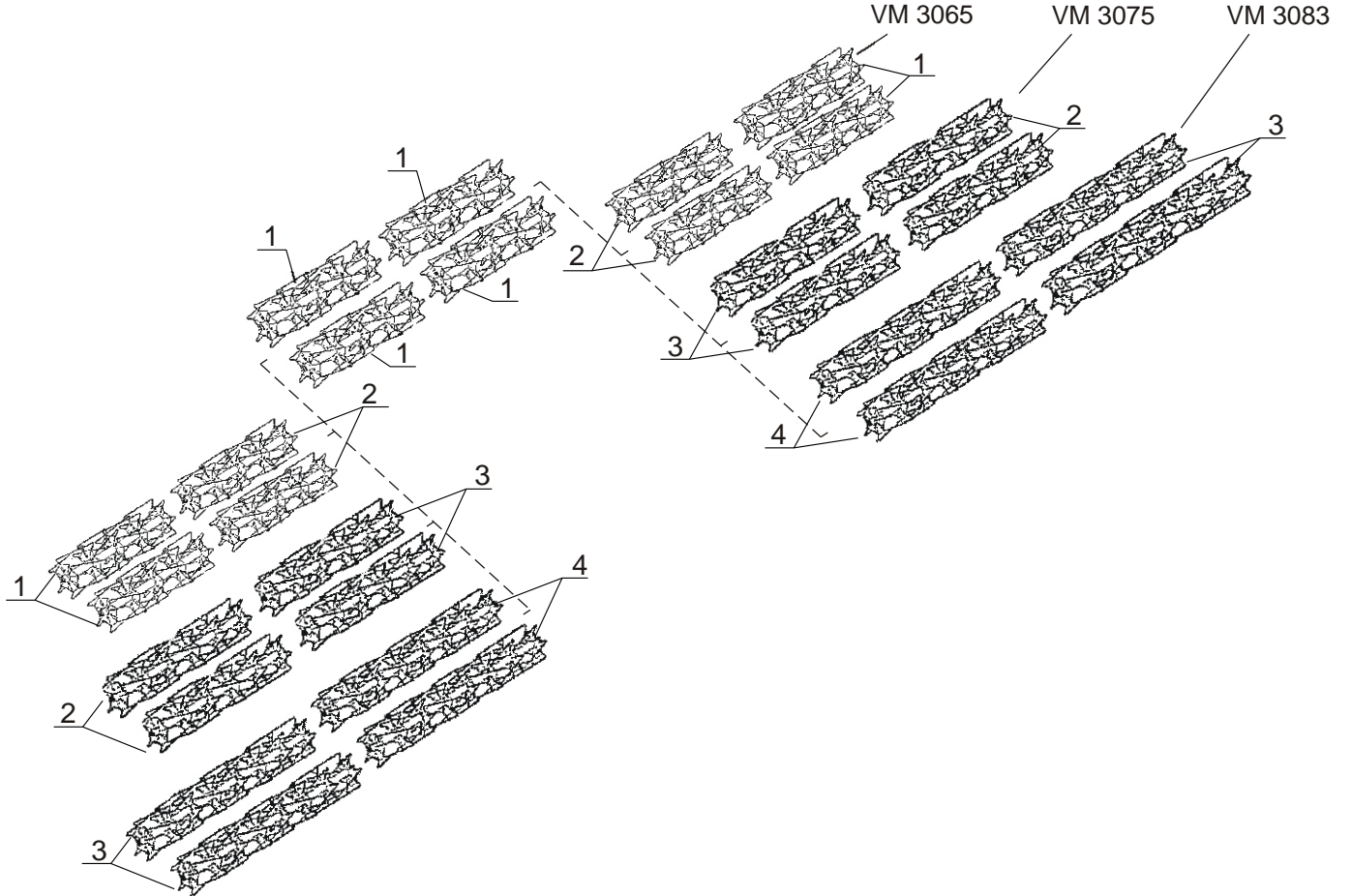
Tab. 5



Tab. 6

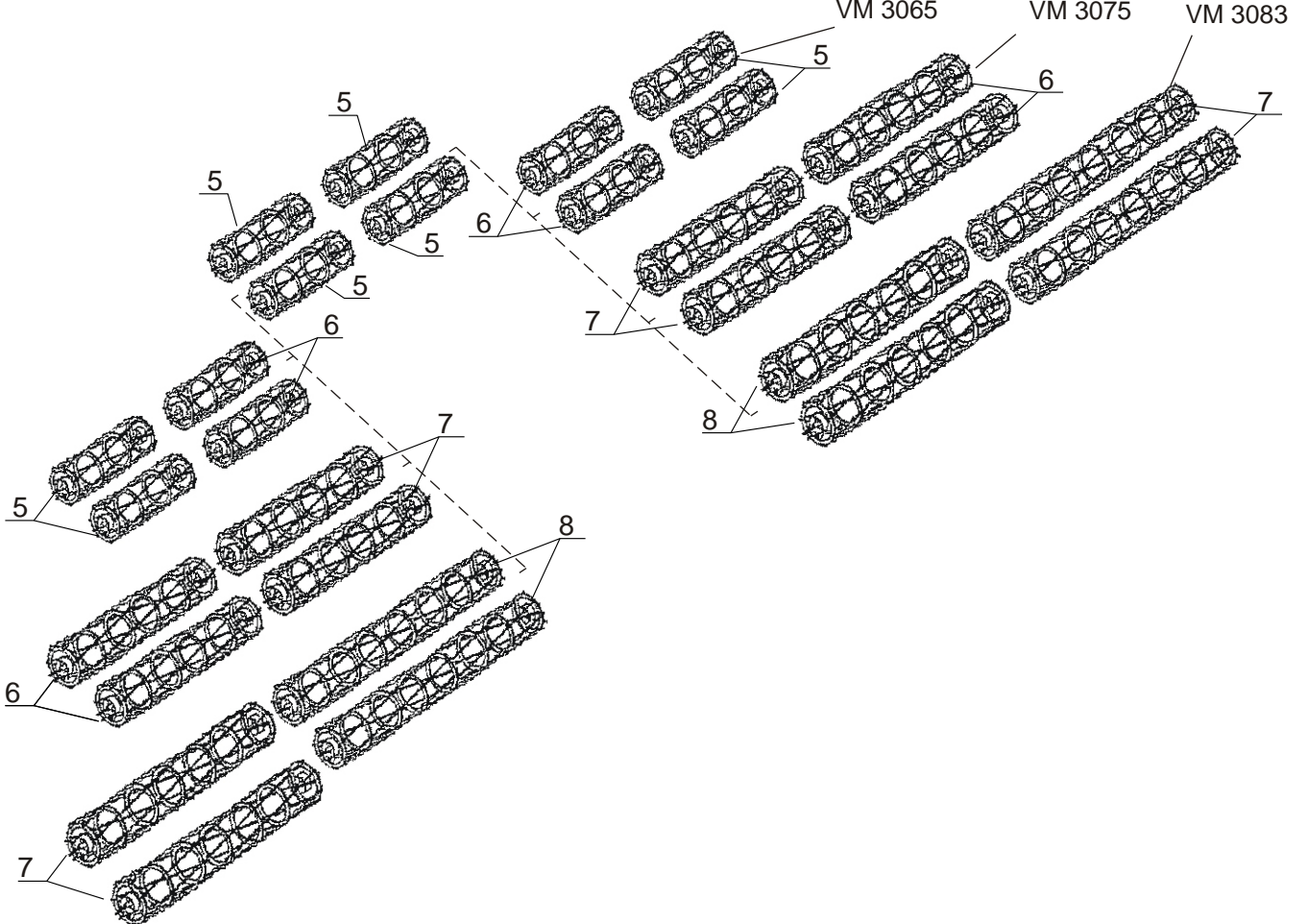
Rotocrats type: RD-VM

For Cultivators type:



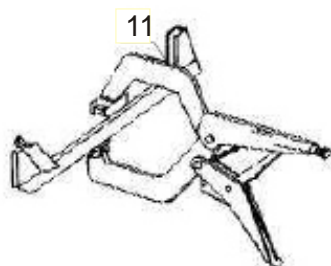
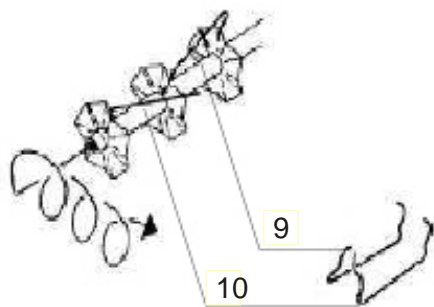
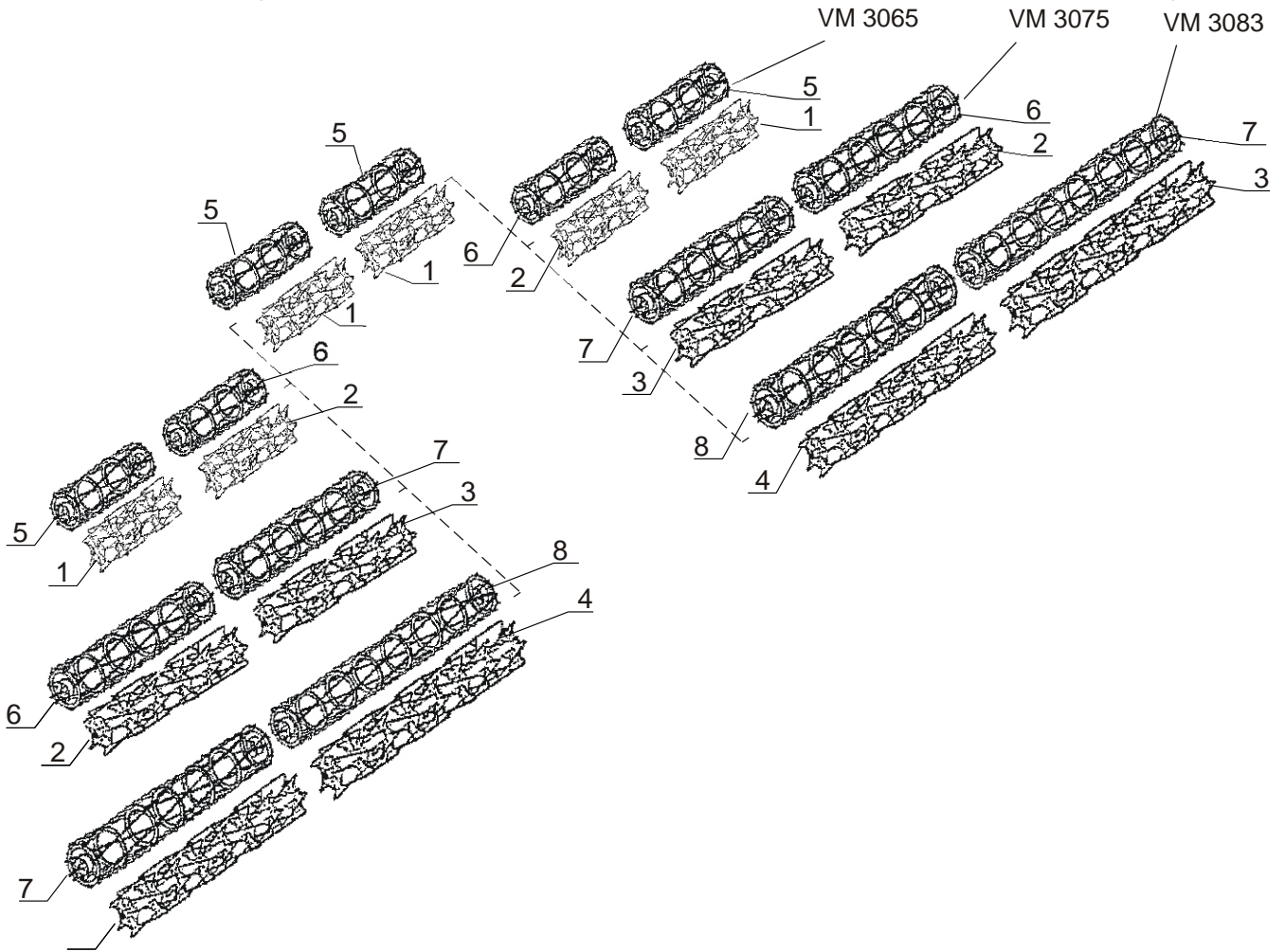
Rotocrats type: CD-VM

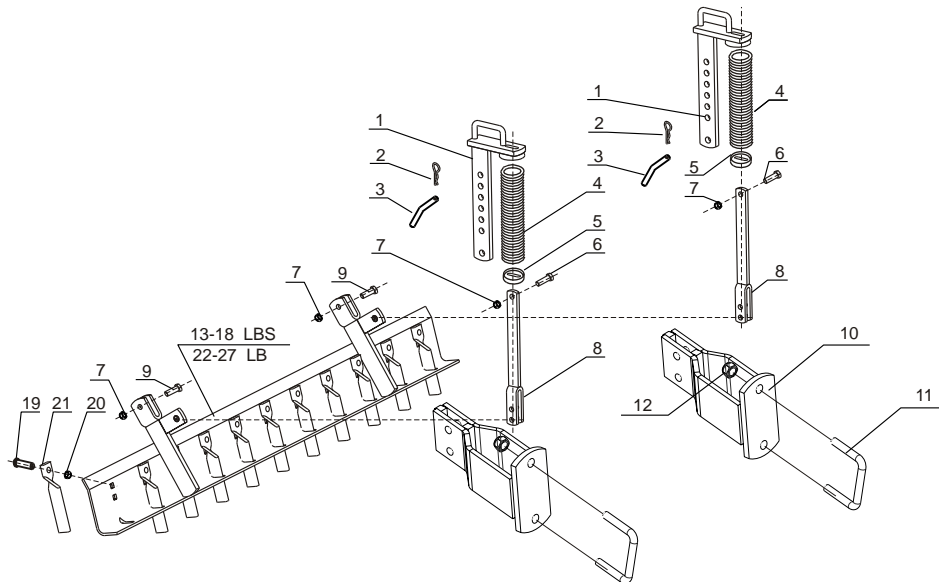
For Cultivators type:



Rotocrats type: CR-VM

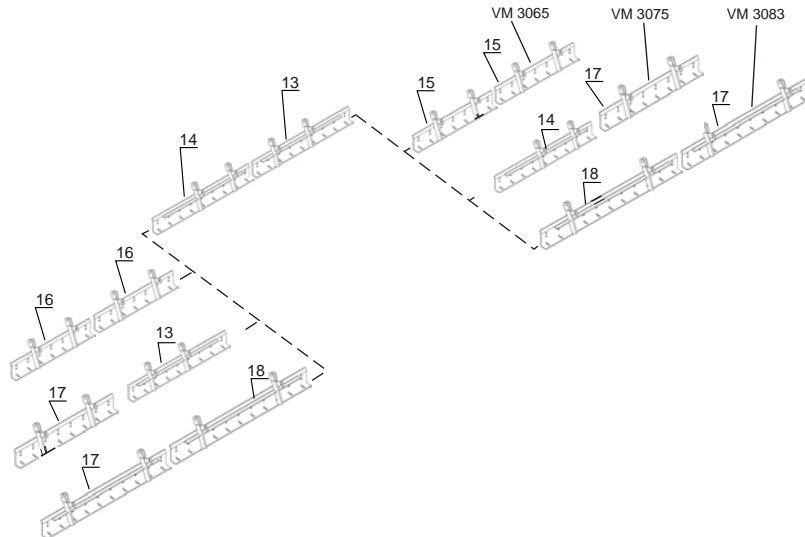
For Cultivators type:





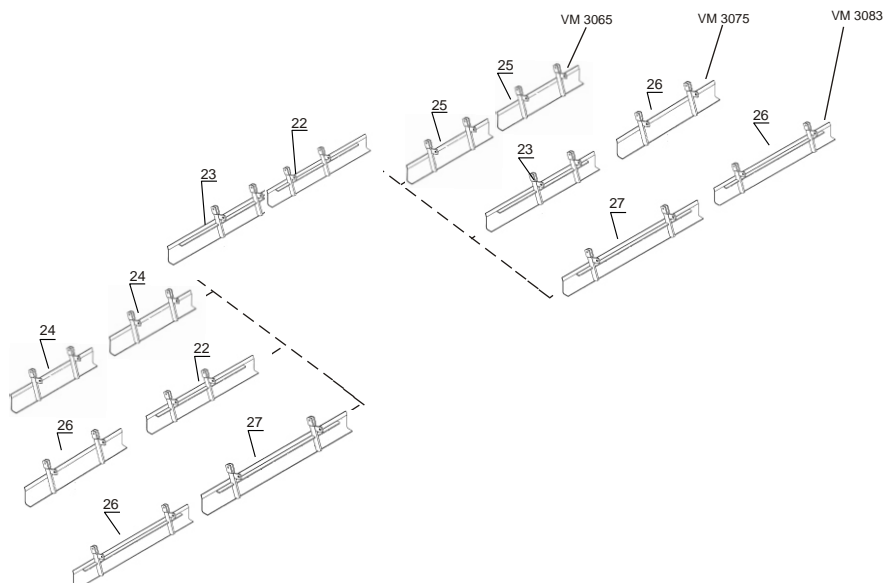
Leveling bars with spikes type: LBS-VM

For Cultivators type:

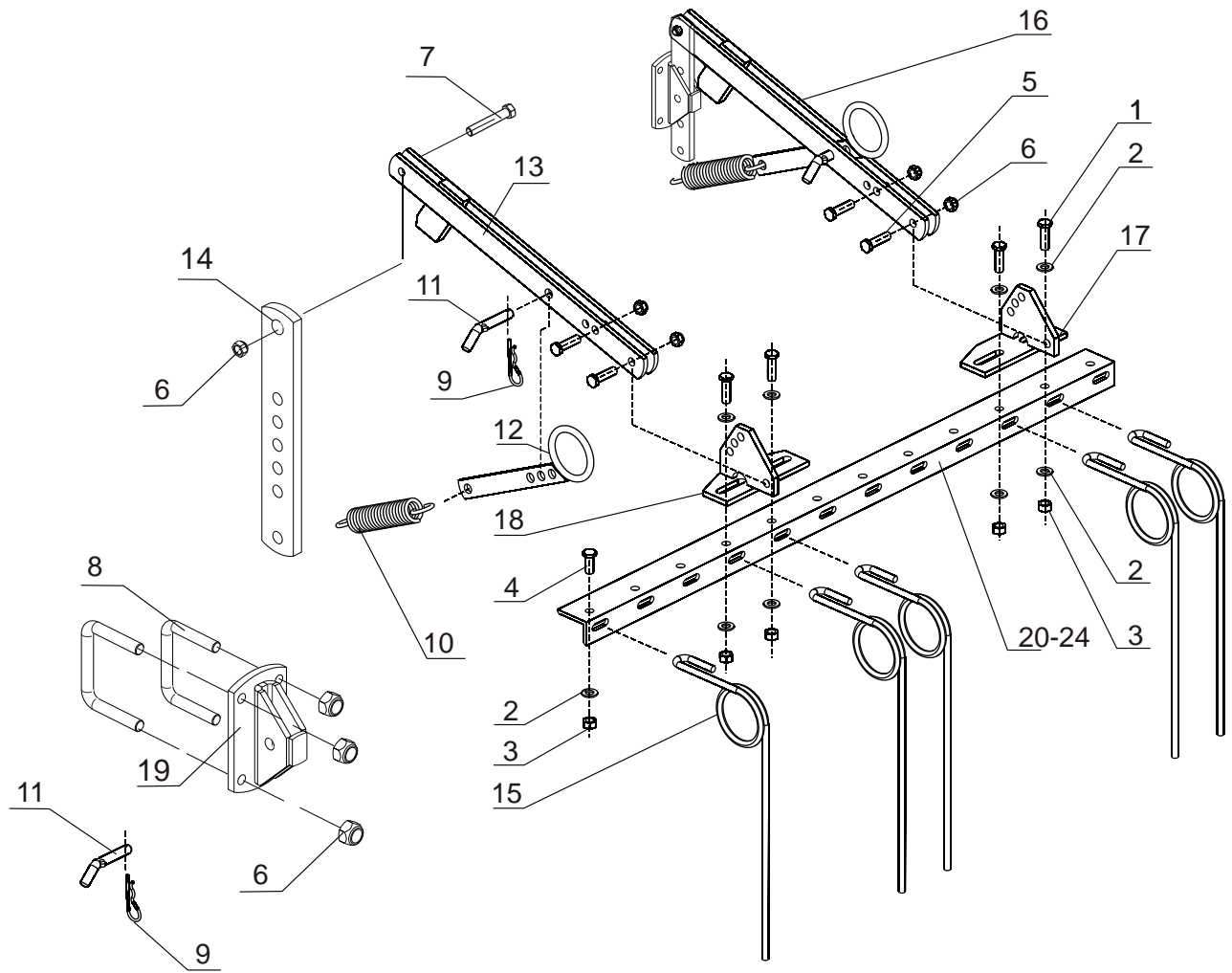


Leveling bars with out spikes type: LB-VM

For Cultivators type:

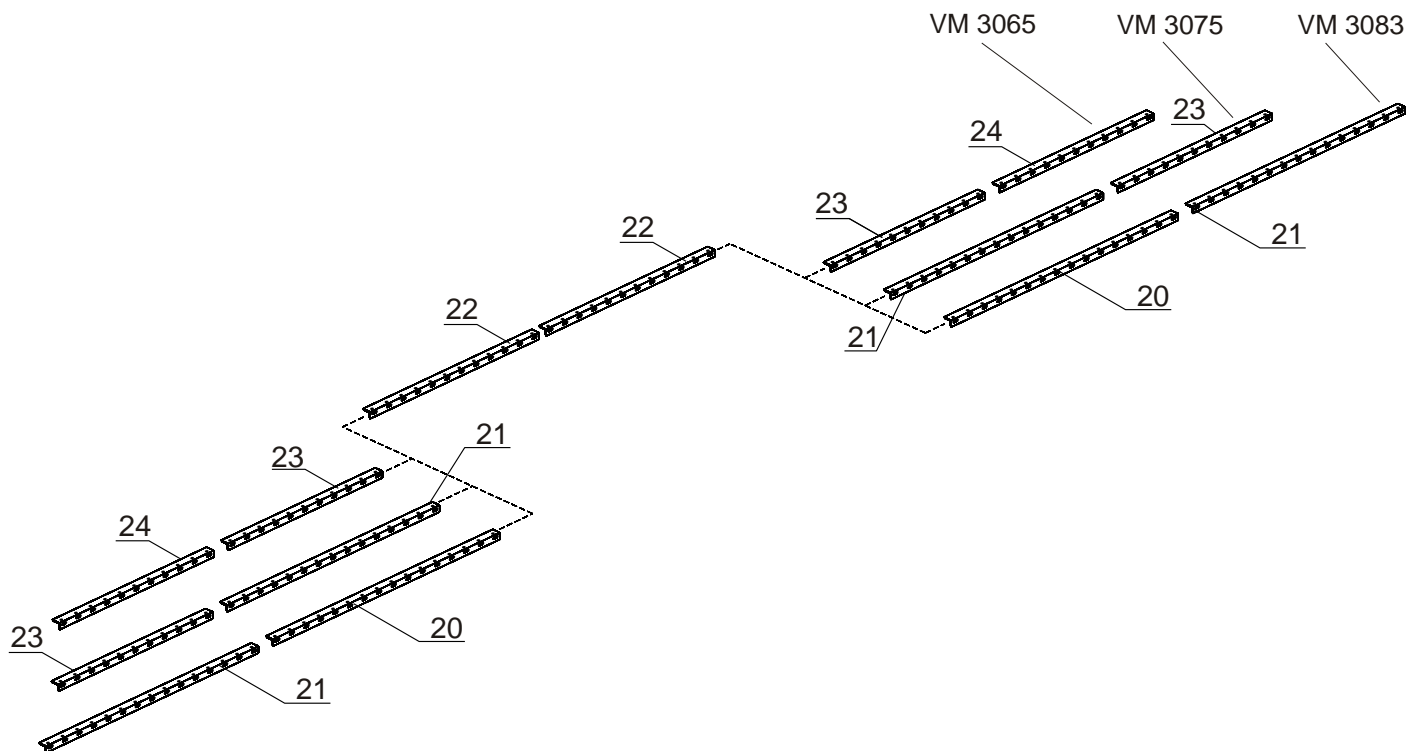


Tab. 9

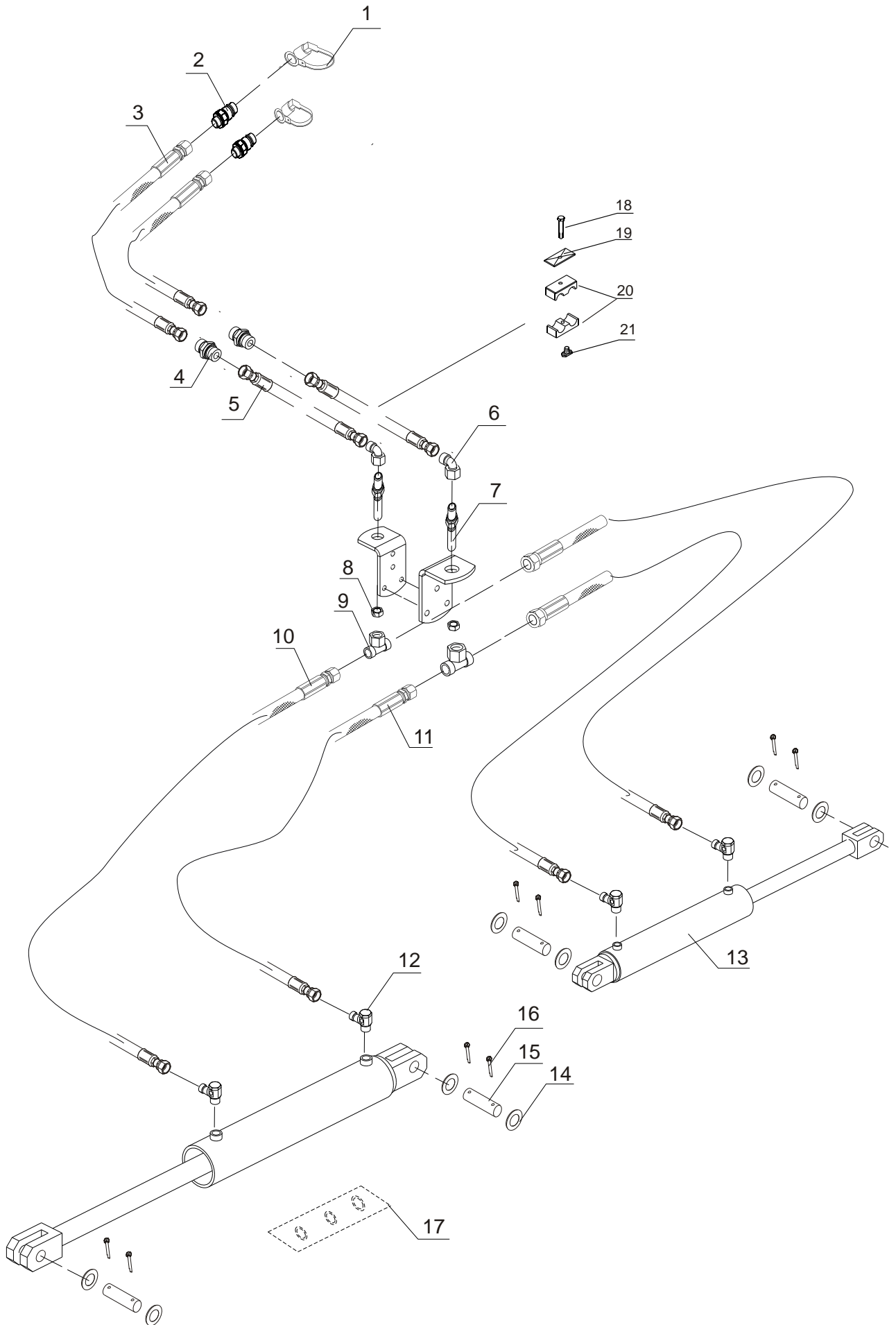


Long finger harrow type: FL-VM

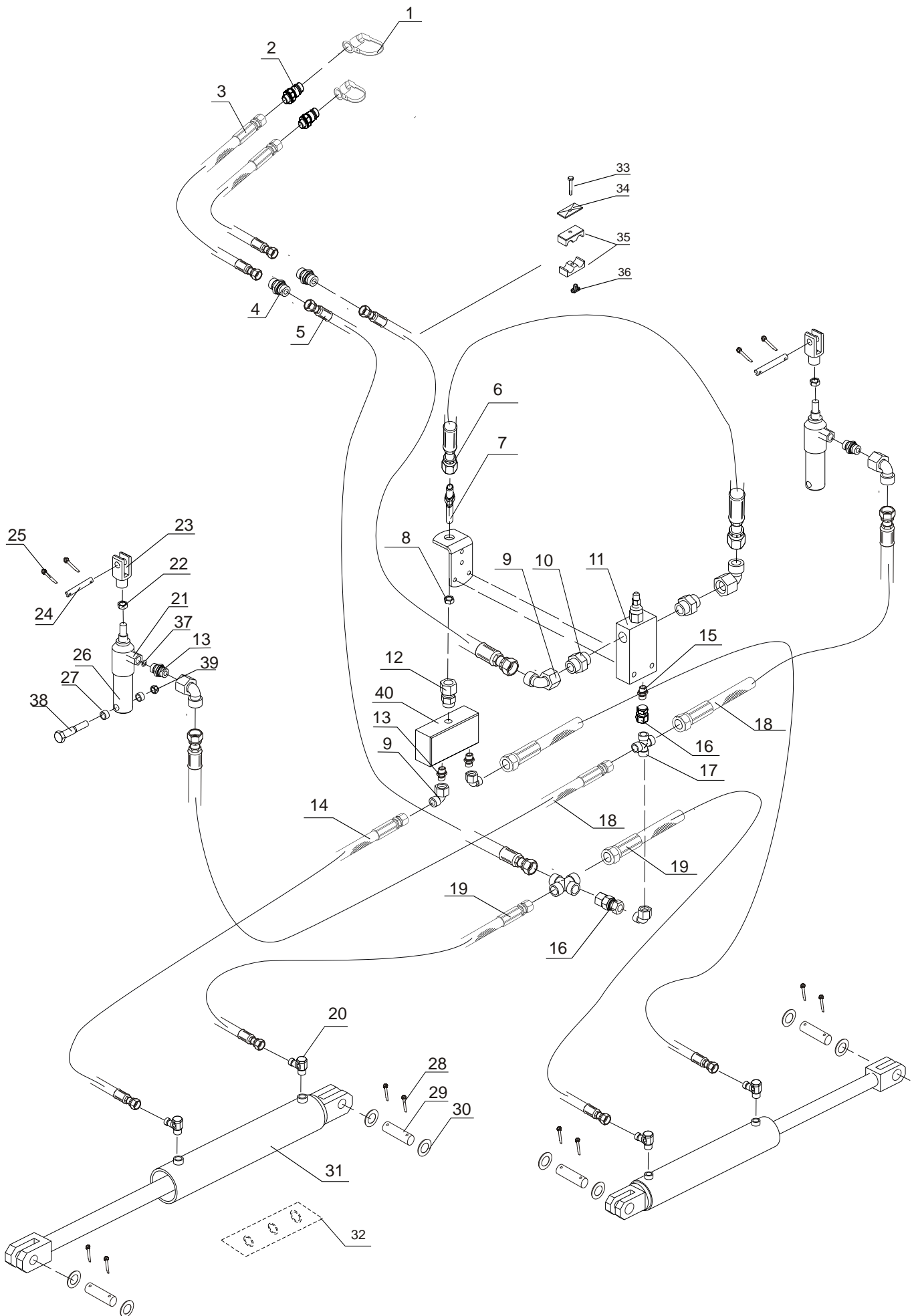
For Cultivators type:



Manual wing lock system



Automatic wing lock system



Tab. 12

