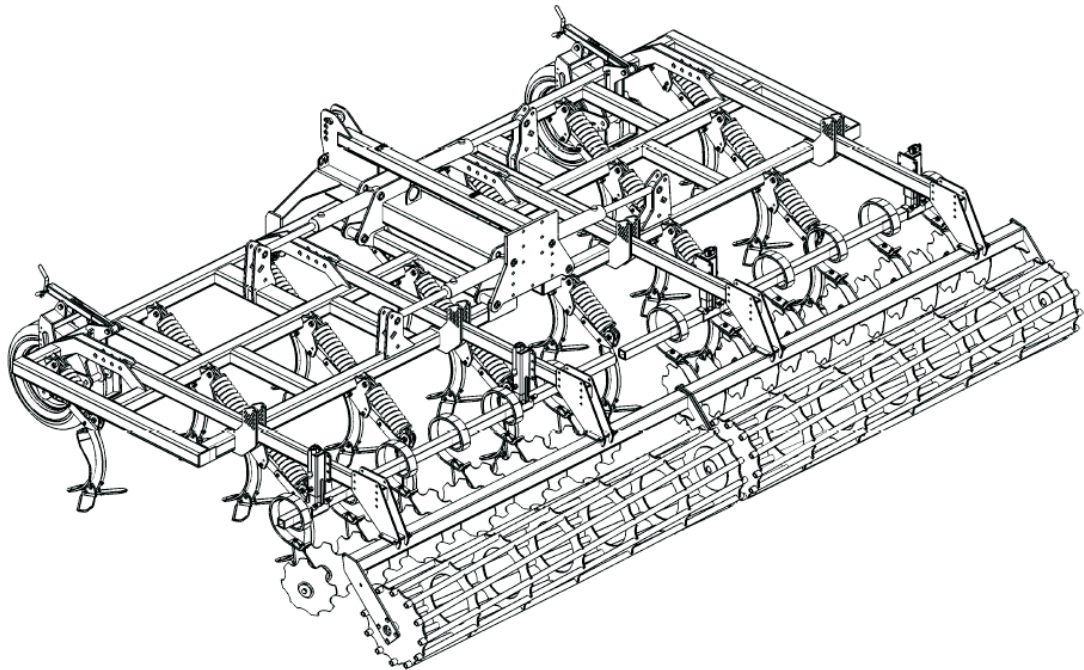
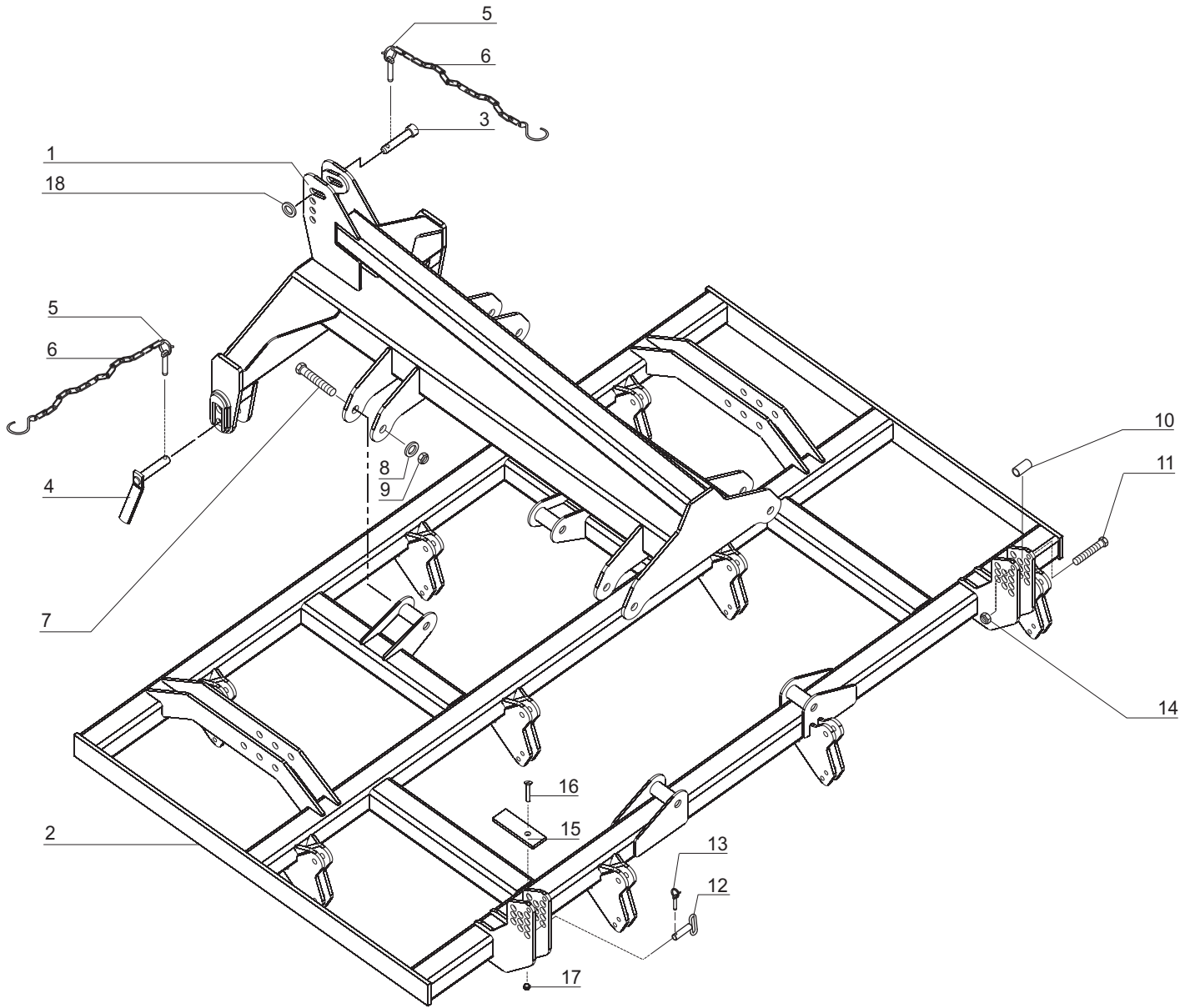


DELTA FLEX

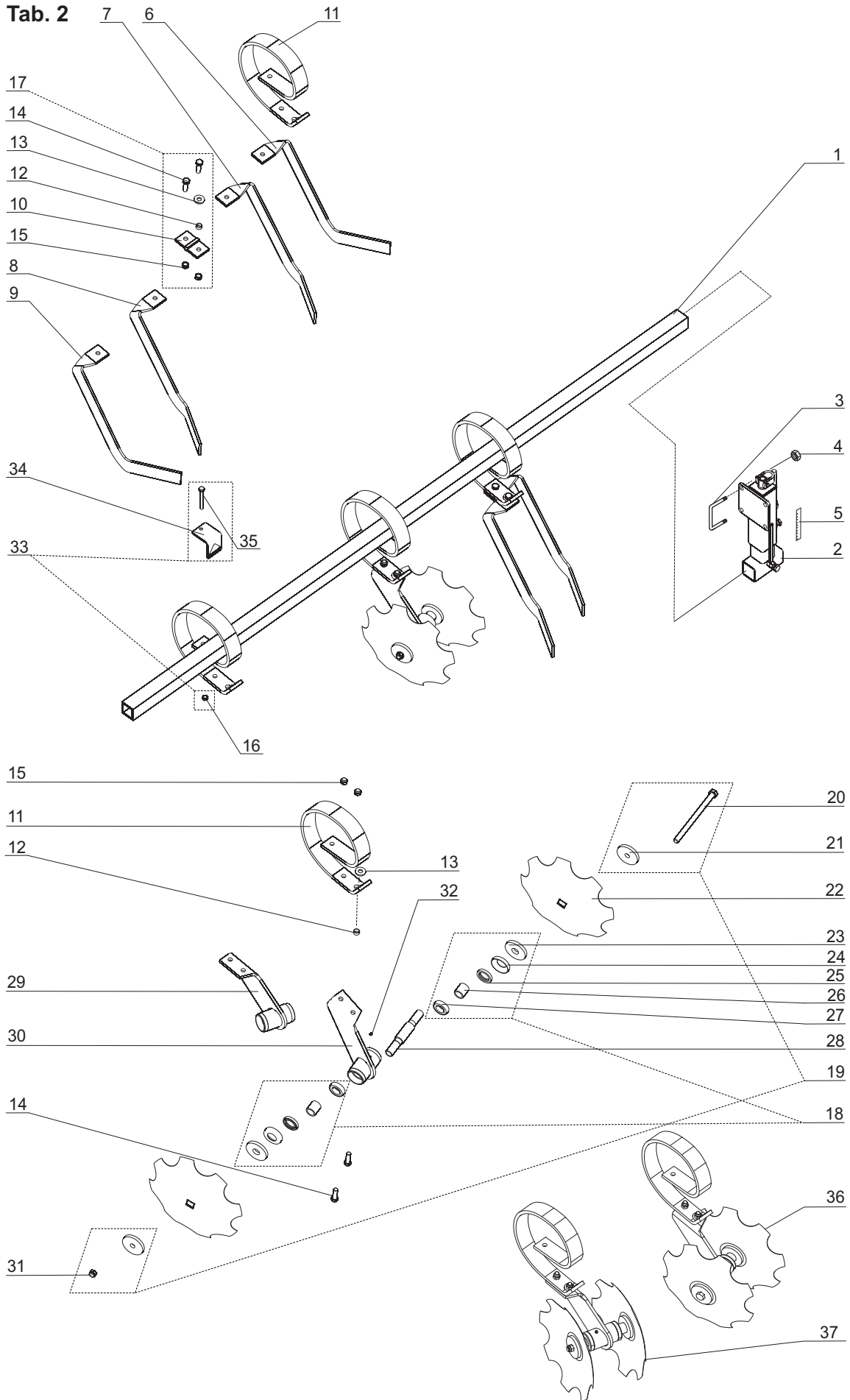


Ersatzteilliste
Spare parts list
Liste di pice de rechange

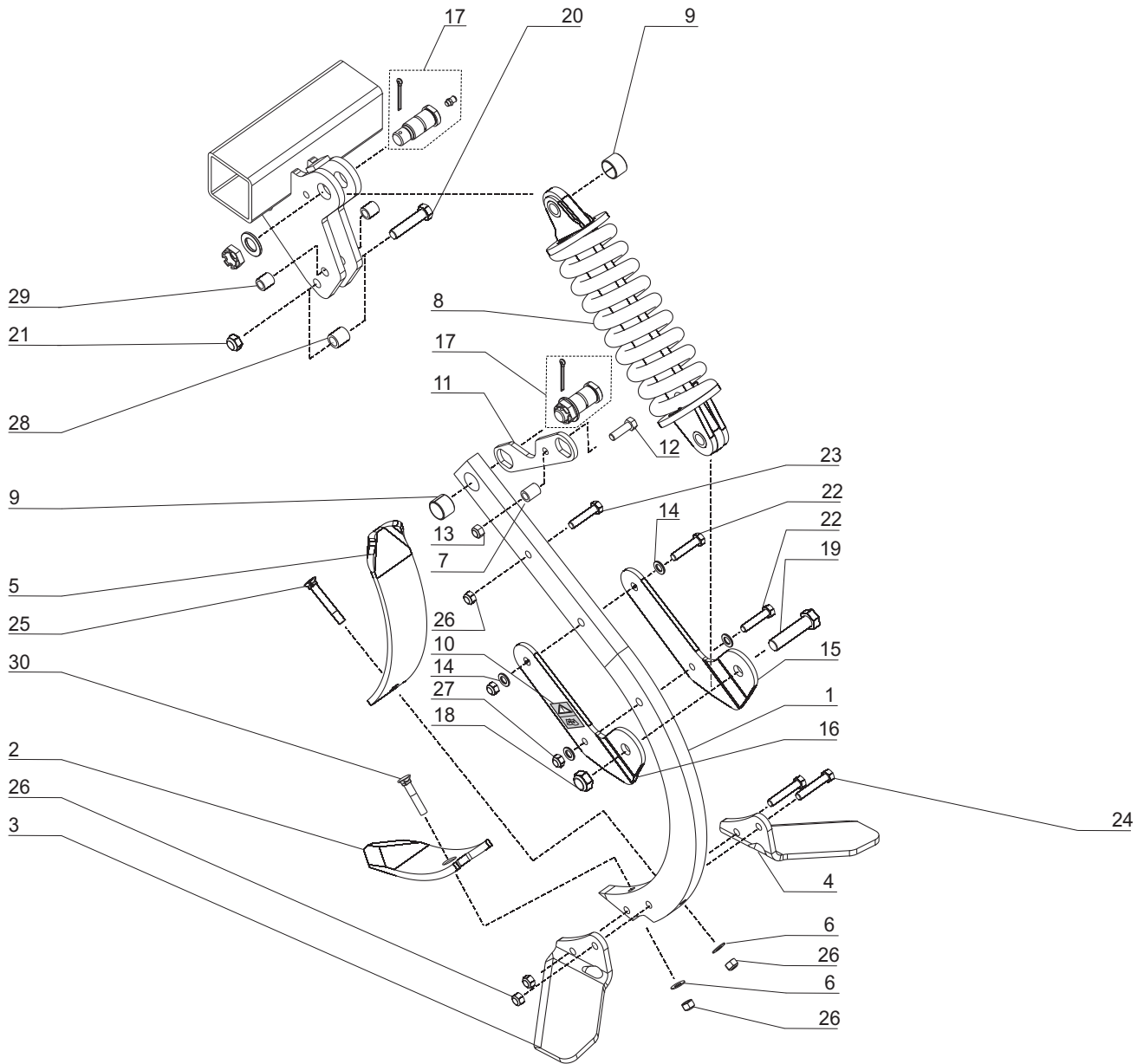
Tab. 1



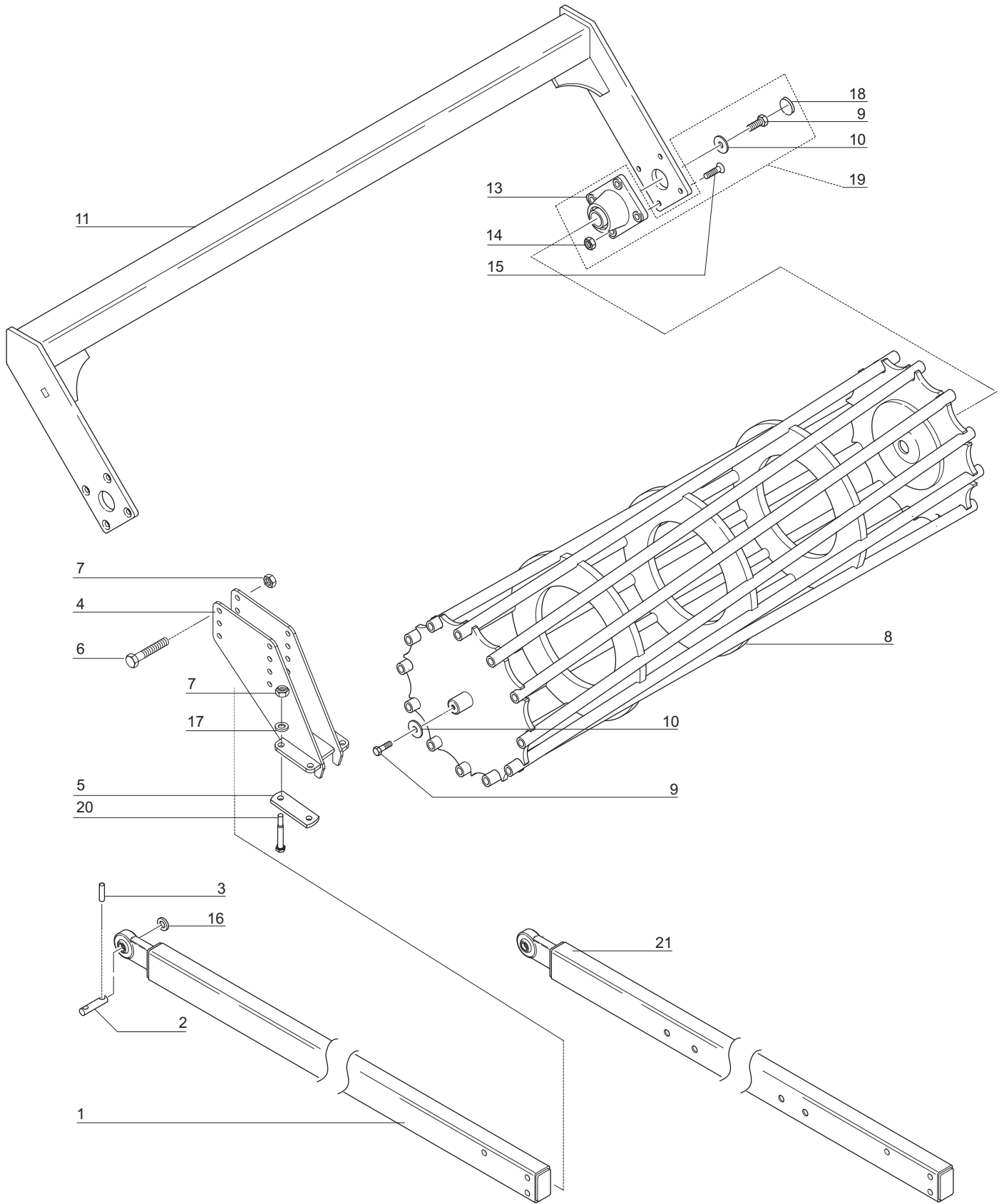
Tab. 2



Tab. 3



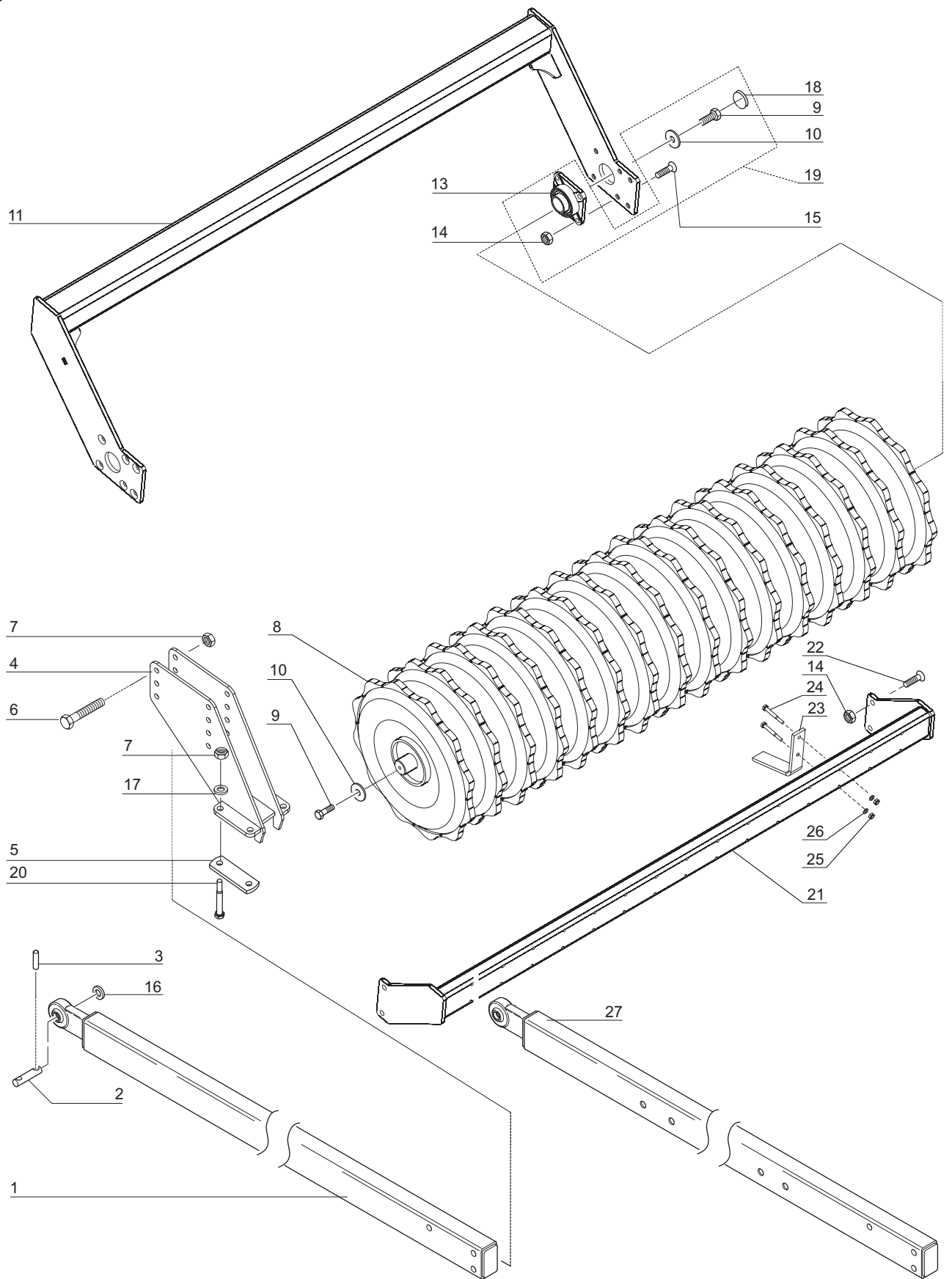
Tab. 4



Version 2.5 m, 3 m, 4 m.

Version 5 m, 6 m, 7 m.

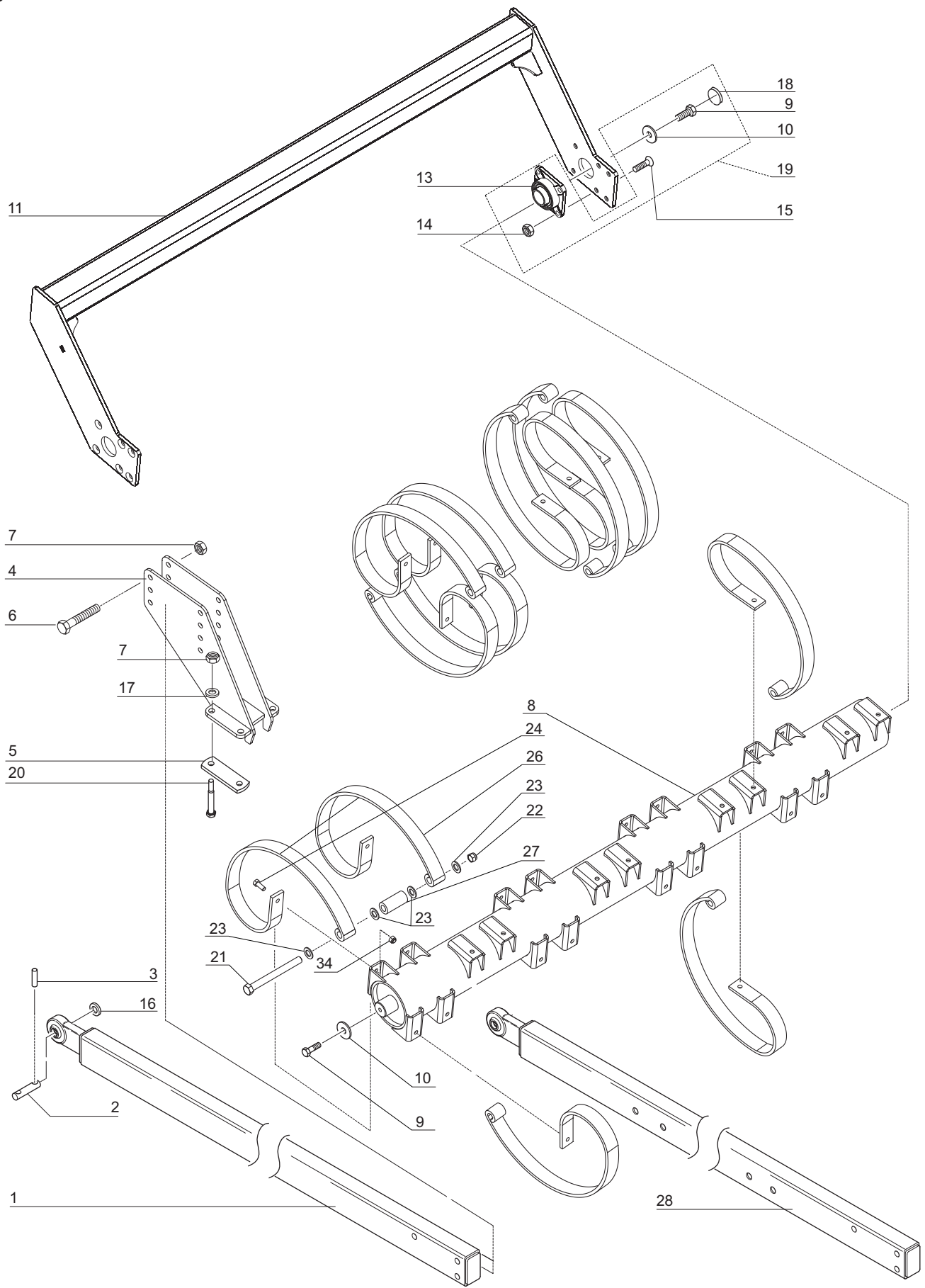
Tab. 5



Version 2,5 m, 3 m, 4 m.

Version 5 m, 6 m, 7 m.

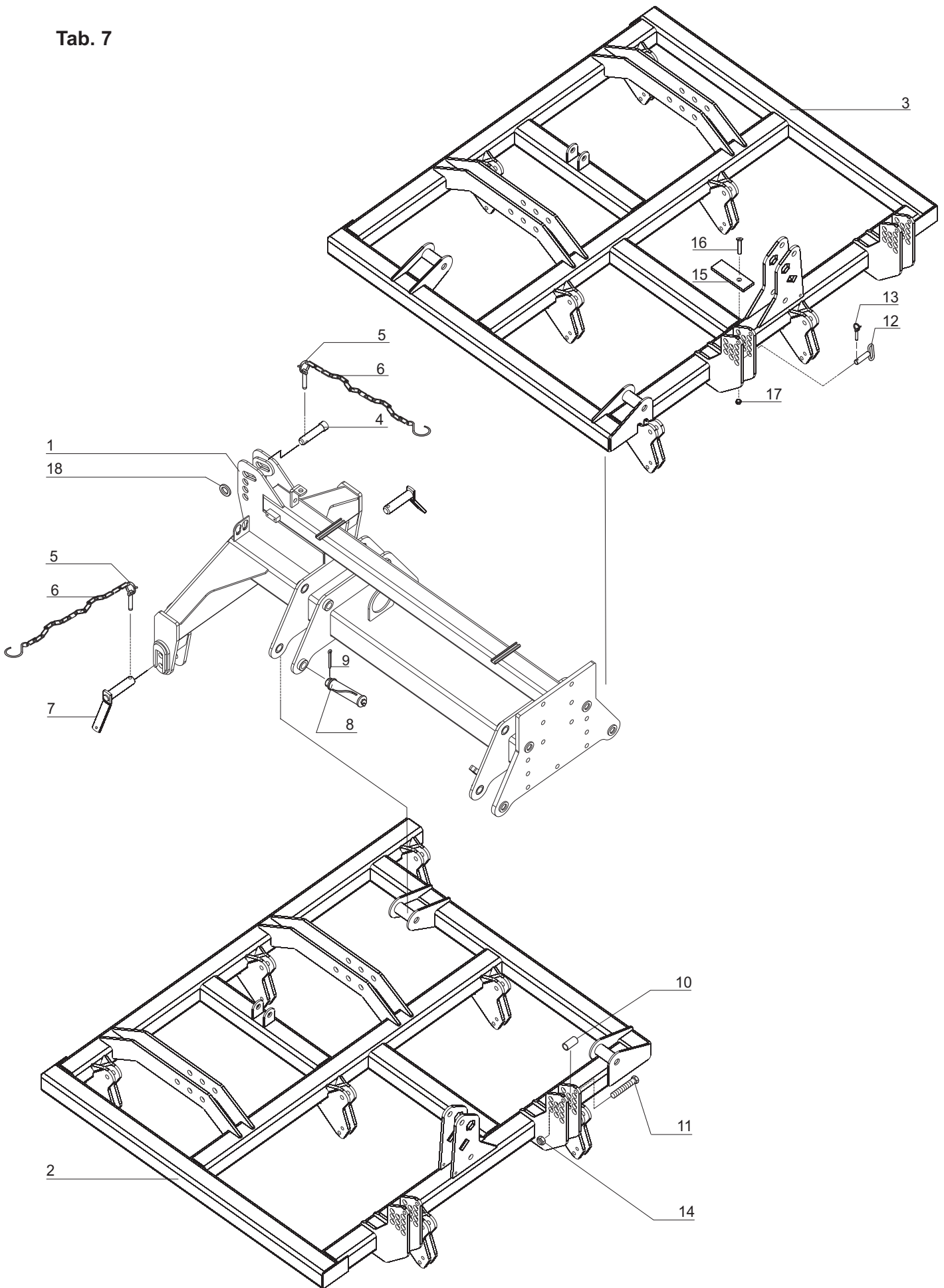
Tab. 6



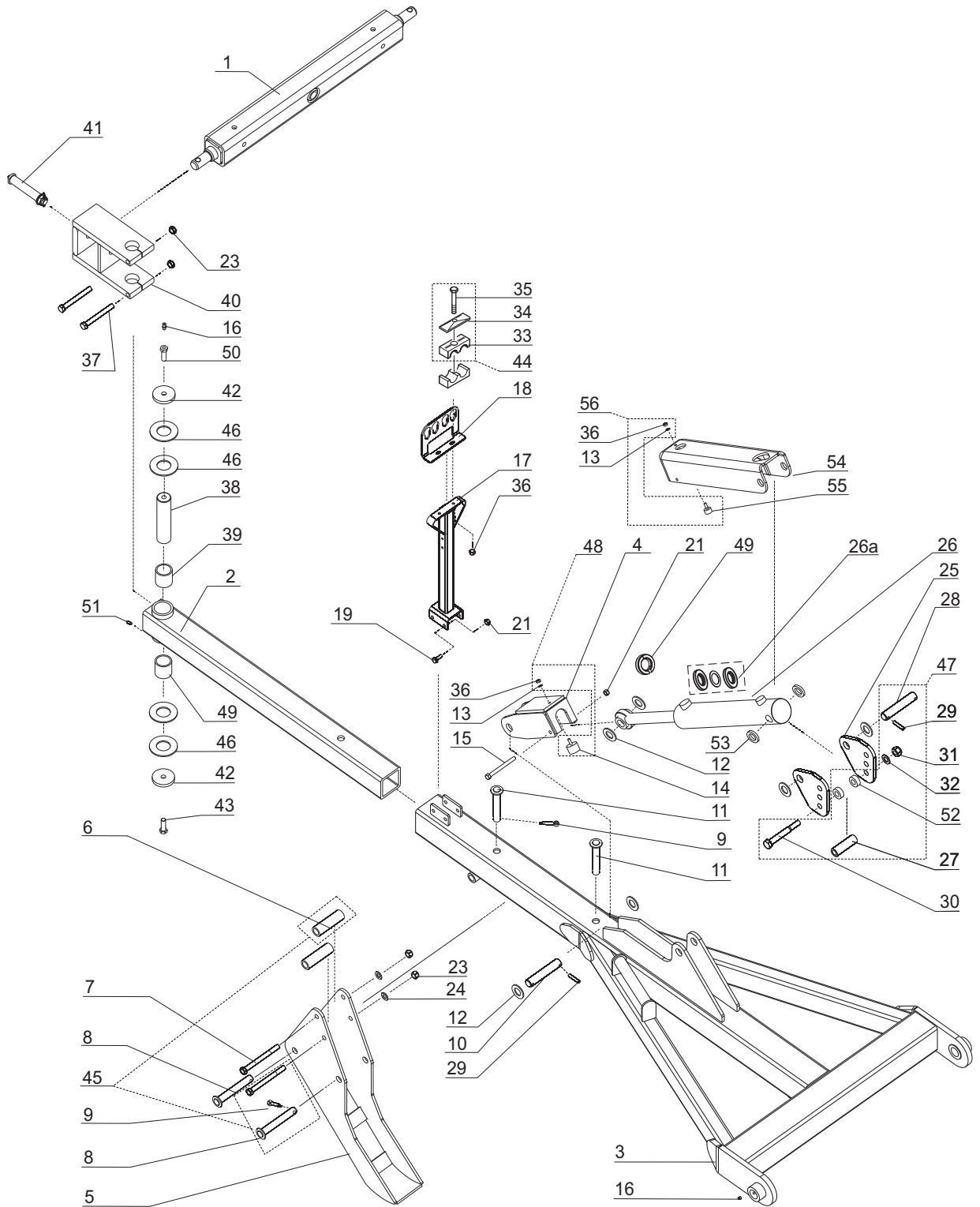
Version 2,5 m, 3 m, 4 m.

Version 5 m, 6 m, 7 m.

Tab. 7

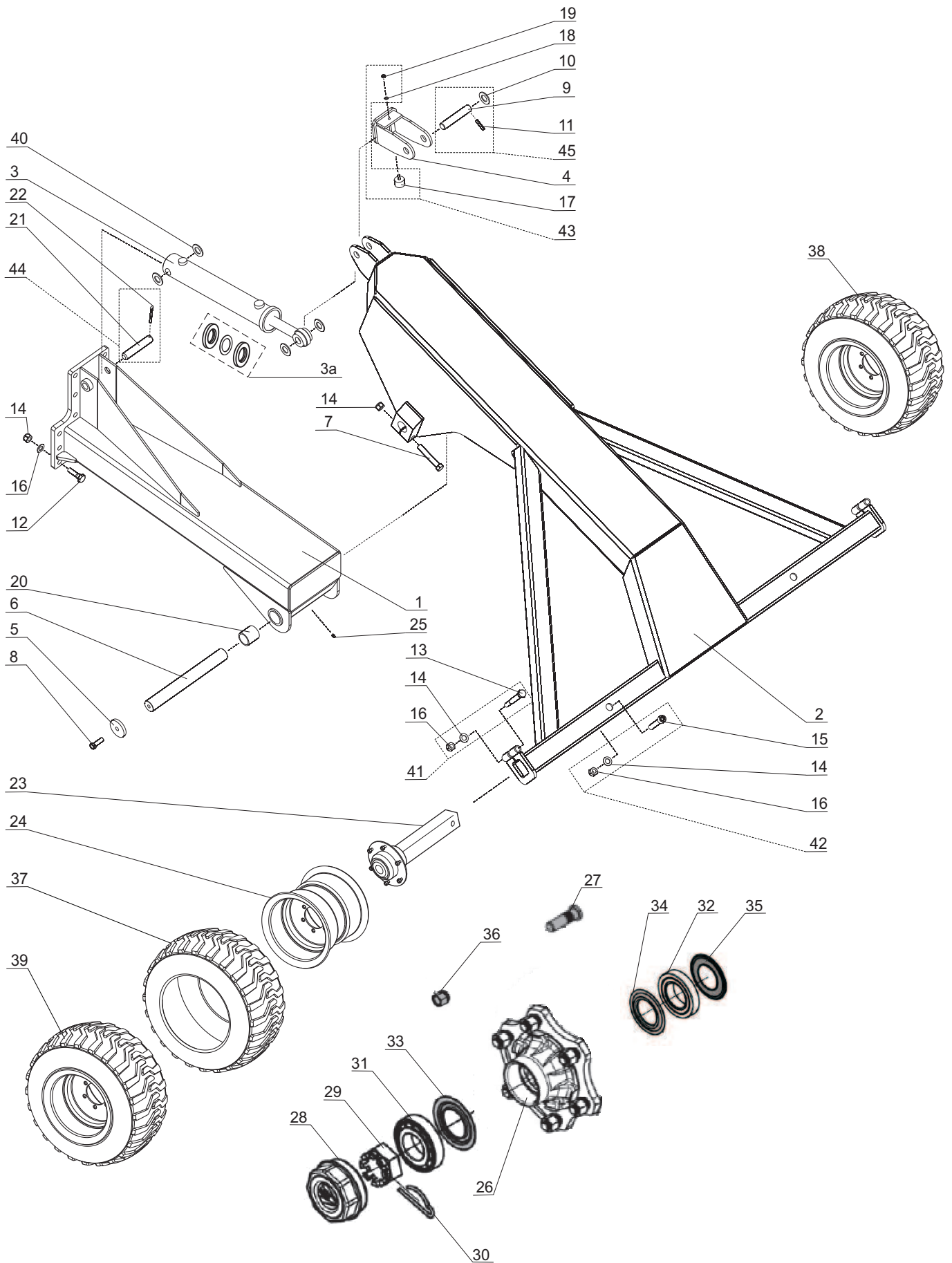


Tab. 8



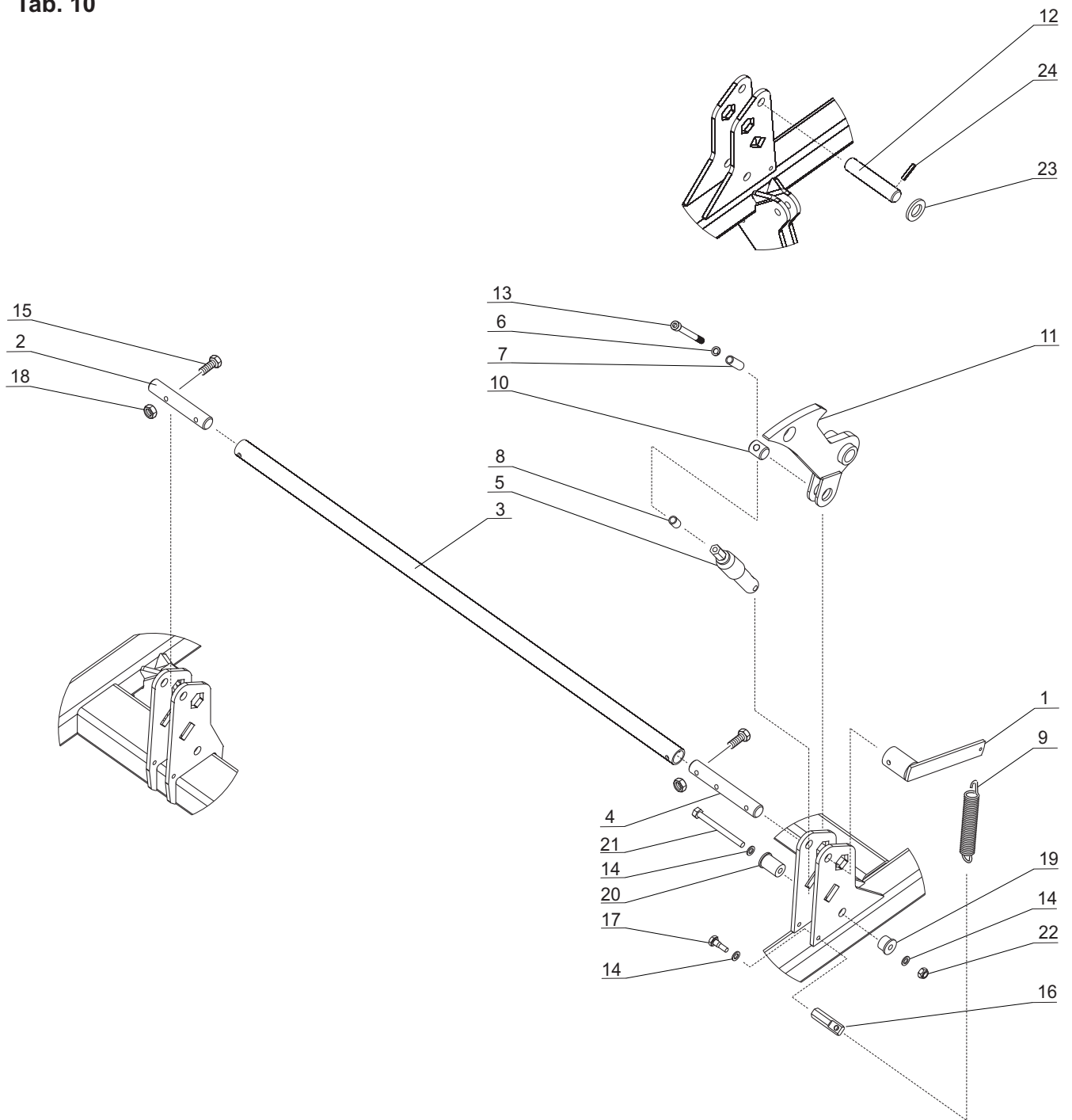
| Fig. | Serial no. | Part no. | Pieces | Notes | Tab. 8 |
|------|------------|-------------|--------|---|---------------------------|
| 1 | | 372201200 | 1 | 2-point linkage | |
| 2 | | 372202200 | 1 | Drawbar pin | |
| 3 | | 372266600 | 1 | Drawbar | |
| 4 | | 372239900 | 1 | Protection | |
| 5 | | 372240400 | 1 | Leg | |
| 6 | | | 2 | Bush | |
| 7 | | | 2 | Bolt | DIN931M16x170 |
| 8 | | | 2 | Pin | 25x155 |
| 9 | | 100333031 | 8 | Split pin | DIN94 10x56 |
| 10 | | 71918846201 | 1 | Pin | 30x155 |
| 11 | | 7201011231 | 1 | Pin | 25x135 |
| 12 | | 300332084 | 8 | Washer | DIN126 M27 |
| 13 | | 300332039 | 1 | Washer | DIN126 M8 |
| 14 | | | 1 | Bumper | |
| 15 | | 300304021 | 1 | Bolt | DIN931 M12x130 |
| 16 | | 300421006 | 3 | Nipple | M8x1 |
| 17 | | 7203301041 | 1 | Holder | |
| 18 | | 7201011248 | 1 | Holder | |
| 19 | | 300304056 | 4 | Bolt | DIN933M12x30 |
| 20 | | 300304095 | 6 | Bolt | DIN931 M16x60 10,9 |
| 21 | | 300316021 | 5 | Self-locking nut | DIN985 M12 |
| 22 | | 300332018 | 6 | Spring washer | DIN127 M16 |
| 23 | | 300316023 | 4 | Self-locking nut | DIN985 M16 |
| 24 | | 300332009 | 2 | Washer | DIN126 M16 |
| 25 | | 7201011451 | 2 | Plate | |
| 26 | | 372006205 | 1 | Hydraulic cylinder | |
| 26a | | 372004393 | - | Seal kit for 372006205 | |
| 27 | | | 2 | Bush | 10x30 |
| 28 | | | 1 | Pin | 30x197 |
| 29 | | | 4 | Spring pin | DIN1481 10x50 |
| 30 | | | 2 | Bolt | DIN931 M20x180 |
| 31 | | | 2 | Self-locking nut | DIN985 M20 |
| 32 | | | 2 | Washer | DIN126 M20 |
| 33 | | | 4 | Holder | |
| 34 | | | 2 | Cover | |
| 35 | | | 2 | Bolt | DIN931 M8x60 |
| 36 | | 300316027 | 3 | Self-locking nut | DIN985 M8 |
| 37 | | 300304089 | 2 | Bolt | DIN931 M16x140 10,9 |
| 38 | | 372004941 | 1 | Axel | |
| 39 | | 7201011429 | 2 | Bush | |
| 40 | | 372243200 | 1 | Holder | |
| 41 | | 7203302030 | 1 | Spring pin with nut | 30x140 |
| 42 | | 7201011421 | 2 | Washer | |
| 43 | | 300304085 | 1 | Bolt | DIN933 M16x1,5x35 |
| 44 | | 372166100 | 1 | Fixation kit for holder 33+34+35 | kit incl 2+1+1pcs |
| 45 | | 372165700 | 1 | Fixation kit for pin 6+7+8+9 | kit incl 1+1+1+1pcs |
| 46 | | 372004939 | 4 | Washer | |
| 47 | | 372280200 | 1 | Fixation kit for pin 27+28+29+30+31+32+52 | kit incl 2+1+2+2+2+2+2pcs |
| 48 | | 372166500 | 1 | Fixation kit for bumper 13+14+36 | kit incl 1+1+1pcs |
| 49 | | 372006227 | - | Clip | L=19 |
| 49 | | 372006228 | 2 | Clip | L=25 |
| 49 | | 372006229 | - | Clip | L=33 |
| 50 | | 372006043 | 1 | Special bolt | M16x1,5x35 |
| 51 | | 300322007 | 1 | Screw | DIN551 M8x1x12 |
| 52 | | 372006216 | 2 | Bush | 20x40x20 |
| 53 | | 372005456 | 2 | Bush | 30x49x8 |
| 54 | | 372279900 | 1 | Cover | |
| 55 | | | 1 | Bumper | |
| 56 | | 372280300 | 1 | Fixation kit for bumper 13+36+55 | kit incl 1+1+1pcs |

Tab. 9

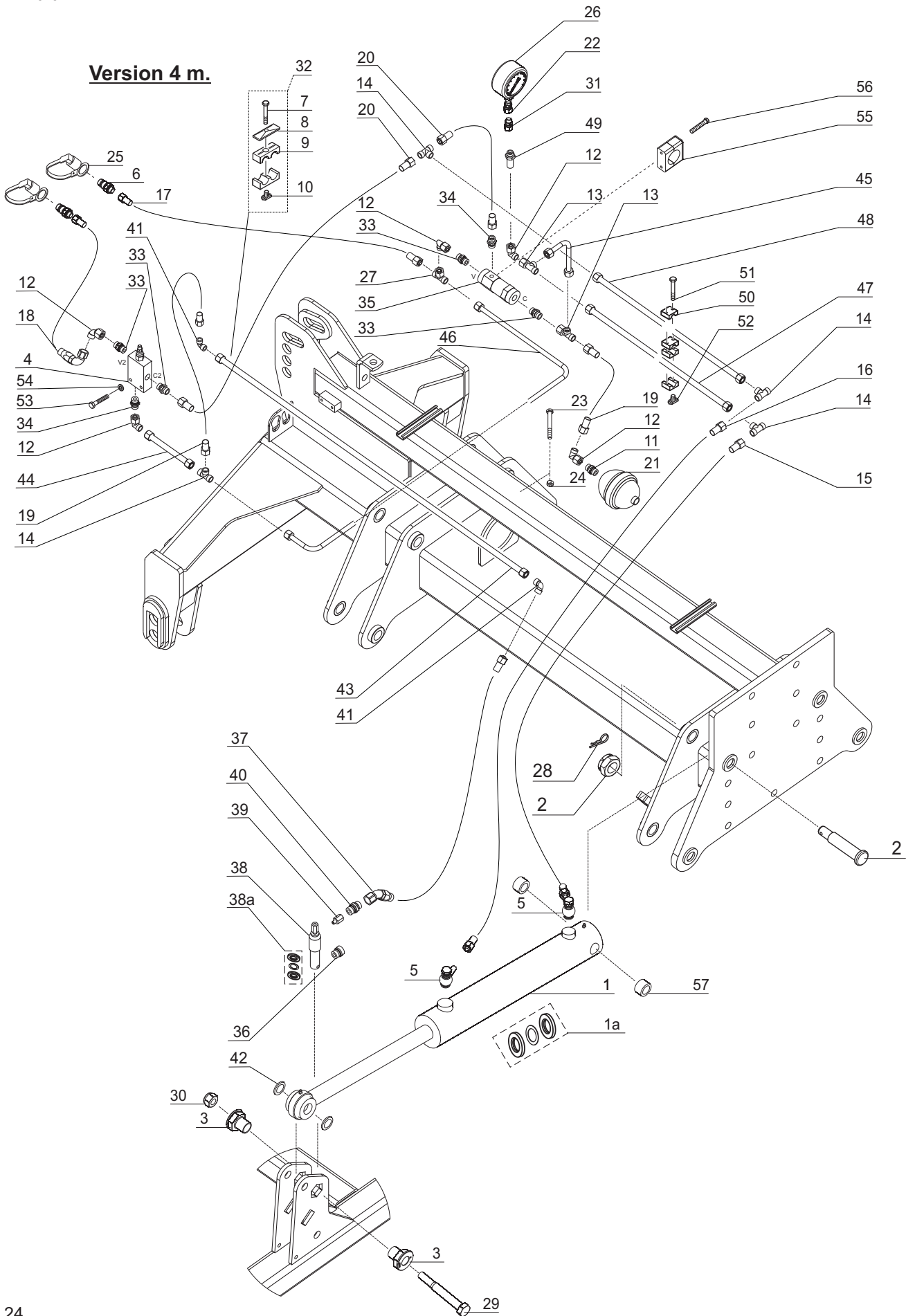


| Fig. | Serial no. | Part no. | Pieces | Notes | Tab. 9 |
|------|------------|-------------|--------|--|------------------------------------|
| 1 | | 7201011433 | 1 | Chassis connector | |
| 2 | | 7201011415 | 1 | Chassic | |
| 3 | | 372006213 | 1 | Hydraulic cylinder | |
| 3a | | 372004393 | - | Seal kit for 372006213 | |
| 4 | | 372279300 | 1 | Protection | |
| 5 | | 7201011421 | 2 | Washer | |
| 6 | | 7201011430 | 1 | Axel | |
| 7 | | 200214920 | 2 | Bolt | DIN931M20x120 |
| 8 | | 300304085 | 2 | Bolt | DIN933 M16x1,5x35 |
| 9 | | | 1 | Pin | 30x155 |
| 10 | | | 1 | Washer | DIN126 M30 |
| 11 | | | 1 | Spring pin | DIN1481 10x50 |
| 12 | | 300304108 | 1 | Bolt | DIN931 M20x65 |
| 13 | | | 1 | Bolt | DIN931 M20x160 |
| 14 | | 300316016 | 2 | Self-locking nut | DIN985 M20 |
| 15 | | | 2 | Bolt | DIN933 M20x12010,9 |
| 16 | | 300332037 | 1 | Washer | DIN126 M30 |
| 17 | | | 1 | Bumper | |
| 18 | | | 1 | Washer | DIN126 M8 |
| 19 | | | 1 | Self-locking nut | DIN985 M8 |
| 20 | | 7201011429 | 2 | Bearing | 50x60x60 |
| 21 | | | 1 | Pin | |
| 22 | | | 1 | Pin | 10x30 |
| 23 | | 7203304012 | 2 | Wheels axle | |
| 24 | | 71209067600 | 1 | Rim | |
| 25 | | 300421001 | 1 | Nipple | M10x1 |
| 26 | | 372003583 | - | Hub | |
| 27 | | | - | Wheel stud | |
| Cpl: | | 372003579 | 1 | Kit 27 | kit incl 12 pcs |
| 28 | | | - | Cap | |
| Cpl: | | 372003587 | 1 | Kit 28 | kit incl 2 pcs |
| 29 | | | - | Crown nut | |
| 30 | | | - | Spring pin | |
| Cpl: | | 372003588 | 1 | Kit 29+30 | kit incl 4+4 pcs |
| 31 | | | - | Bearing | |
| 32 | | | - | Bearing | |
| Cpl: | | 372003586 | 1 | Kit 31+32 | kit incl 1+1 pcs |
| 33 | | | - | Nilos ring | |
| 34 | | | - | Nilos ring | |
| 35 | | | - | Oil seal | |
| Cpl: | | 372003585 | 1 | Kit 33+34+35 | kit incl 2+2+2 pcs |
| 36 | | | - | Wheel nut | |
| Cpl: | | 372003581 | 1 | Kit 36 | kit incl 1pcs |
| 37 | | 372005154 | 1 | Tyre | 138/125A8SG Flotation |
| 38 | | 372257200 | 1 | Wheel RH | 15.0/55-17 138/125 A8 SG Flotation |
| 39 | | 372257300 | 1 | Wheel LH | 15.0/55-17 138/125 A8 SG Flotation |
| 40 | | 300332084 | 4 | Washer | DIN126 M27 |
| 41 | | 372166300 | 1 | Fixation kit for bolt 13+14+16 | kit 1+1+1pcs |
| 42 | | 372166400 | 1 | Fixation kit for bolt 14+15+16 | kit incl 1+1+1pcs |
| 43 | | 372166500 | 1 | Fixation kit for bumper 17+18+19 kit incl 1+1+1pcs | |
| 44 | | 372166600 | 1 | Fixation kit for pin 21+22 | kit incl 1+1pcs |
| 45 | | 372166200 | 1 | Fixation kit for pin 9+10+11 | kit incl 1+2+2pcs |

Tab. 10

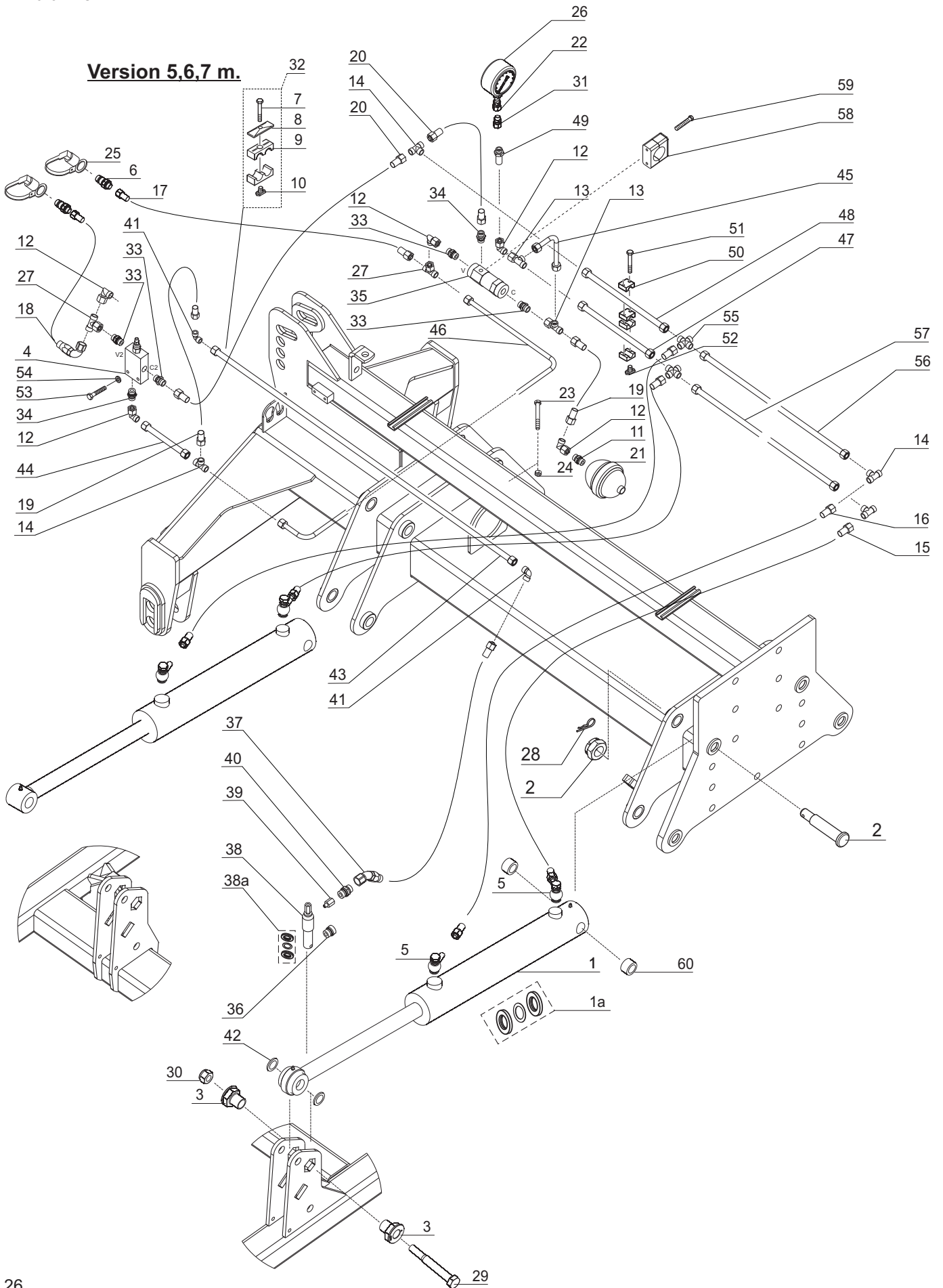


Tab. 12



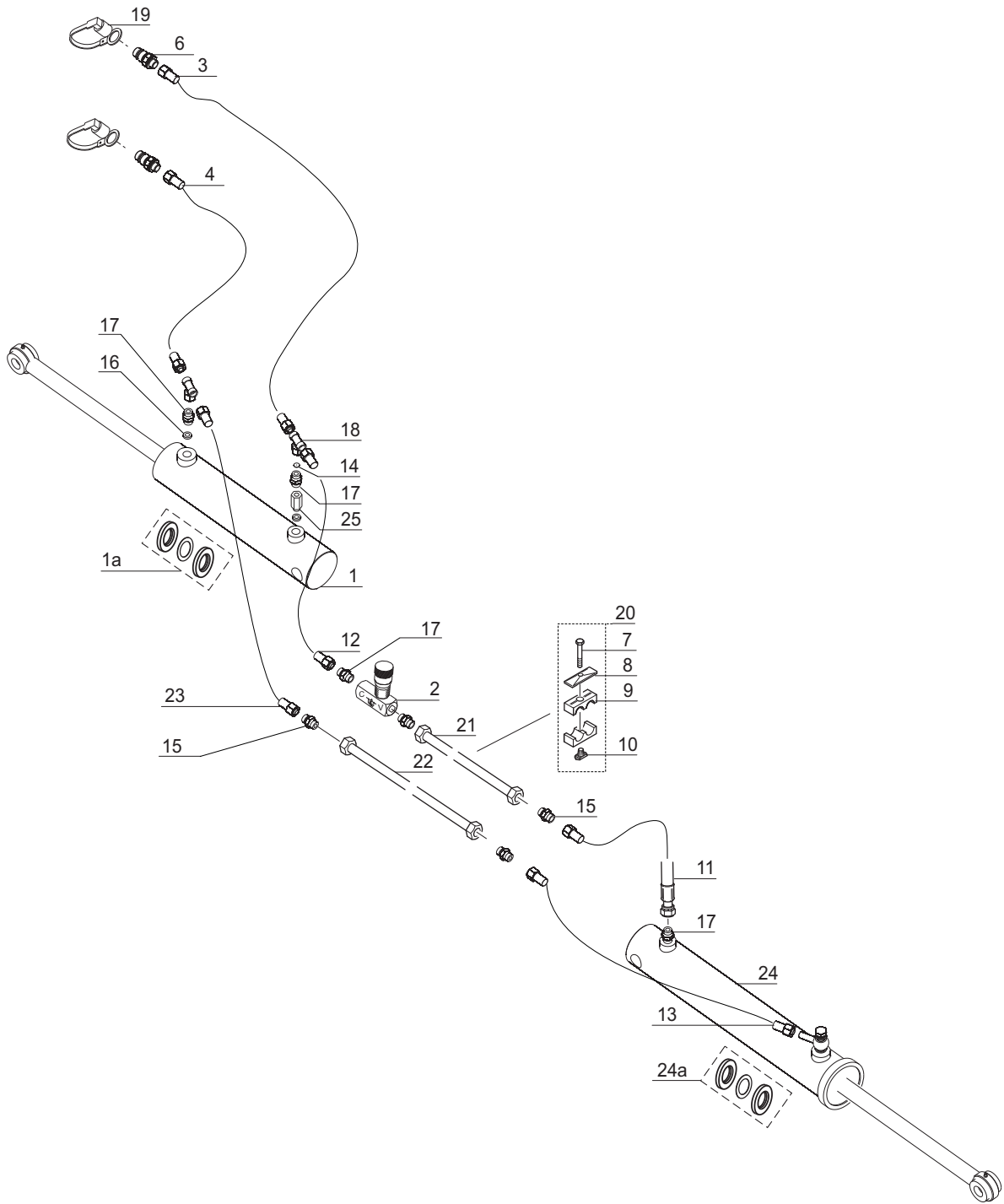
| Fig. | Serial no. | Part no. | Pieces | Notes | Tab. 12 |
|------|------------|-------------|--------|---|------------------|
| 1 | | 372006205 | 2 | Hydraulic cylinder | |
| 1a | | 372004393 | - | Seal kit for 372006205 | |
| 2 | | 71208112006 | 6 | Spring pin with nut | 30x170 |
| 3 | | 7201014405 | 4 | Cylinder Plug | |
| 4 | | 372004999 | 1 | Valve | |
| 5 | | 7000405785 | 4 | Elbow | |
| 6 | | 7210000125 | 2 | Adapter plug | |
| 7 | | | 2 | Bolt | DIN933 M6x35 |
| 8 | | | 2 | Cover | |
| 9 | | | 4 | Holder | |
| 10 | | | 2 | Profil nut | |
| 11 | | 372003543 | 1 | Coupling | |
| 12 | | 71202079363 | 5 | Hydr. Coupling-L | |
| 13 | | 7210000165 | 2 | Hydr. coupling-T | |
| 14 | | 7210000105 | 4 | T-fitting | |
| 15 | | 372003458 | 2 | Hydr. pipe | L=600 |
| 16 | | 372005114 | 2 | Hydr. pipe | L=900 |
| 17 | | 372003460 | 1 | Hydr. hose | L=1500 |
| 18 | | 372005164 | 1 | Hydr. hose | L=1500 |
| 19 | | 7210000104 | 2 | Hydr. hose | L=500 |
| 20 | | 372005144 | 2 | Hydr. hose | L=300 |
| 21 | | 372003461 | 1 | Accumulator | |
| 22 | | 372003622 | 1 | Coupling | |
| 23 | | 300304162 | 1 | Bolt | DIN931 M8x60 |
| 24 | | 300316027 | 1 | Self-locking nut | DIN985 M8 |
| 25 | | 7000600399 | 2 | Parking bush (red) | |
| 26 | | 372003621 | 1 | Manometr | |
| 27 | | 300037400 | 1 | Hydr. coupling-T | |
| 28 | | 71208010860 | 6 | Splint pin | DIN94 5x50 |
| 29 | | 300304123 | 2 | Bolt | DIN931 M24x2x120 |
| 30 | | 300316012 | 2 | Self-locking nut | DIN985 M24x2 |
| 31 | | 372003627 | 1 | Coupling | |
| 32 | | 372166900 | 1 | Fixation kit for holder 7+8+9+1 - kit incl 1+1+2+1pcs | |
| 33 | | 372004192 | 4 | Nipple M18x1.5 / 1/2" | |
| 34 | | 372004193 | 1 | Nipple M18x1.5 / 1/4" | |
| 35 | | 372004191 | 1 | Reversing valve | |
| 36 | | 372006207 | 1 | Breather | 1/8" |
| 37 | | 372006210 | 1 | Hydraulical hose | L=1500 |
| 38 | | 372256800 | 1 | Hydraulic cylinder | |
| 38a | | 372005167 | - | Seal kit for 372256800 | |
| 39 | | 371002554 | 2 | Coupling | |
| 40 | | 71202079060 | 2 | Coupling | |
| 41 | | 7000405834 | 2 | Elbow | |
| 42 | | 372006212 | 4 | Washer | 33x45x2 |
| 43 | | 372005132 | 1 | Hydraulical pipe | L=1180 |
| 44 | | 372005152 | 1 | Hydraulical pipe | L=170 |
| 45 | | 372005149 | 1 | Hydraulical pipe | |
| 46 | | 372005151 | 1 | Hydraulical pipe | |
| 47 | | 372005124 | 1 | Hydraulical pipe | L=1250 |
| 48 | | 372005125 | 1 | Hydraulical pipe | L=1230 |
| 49 | | 71202079340 | 1 | Coupling | |
| 50 | | 71208004430 | 1 | Clamp | |
| 51 | | 500031879 | 1 | Bolt | DIN931 M6x85 |
| 52 | | 372005153 | 1 | Profil nut | M6 |
| 53 | | 300304160 | 2 | Bolt | DIN933 M8x50 |
| 54 | | 300332039 | 2 | Washer | DIN126 M8 |
| 55 | | 372005252 | 1 | Clamp | D=42 |
| 56 | | 300304147 | 2 | Bolt | DIN931 M6x70 |
| 57 | | 372005455 | 4 | Bush | L=13 |

Tab. 13



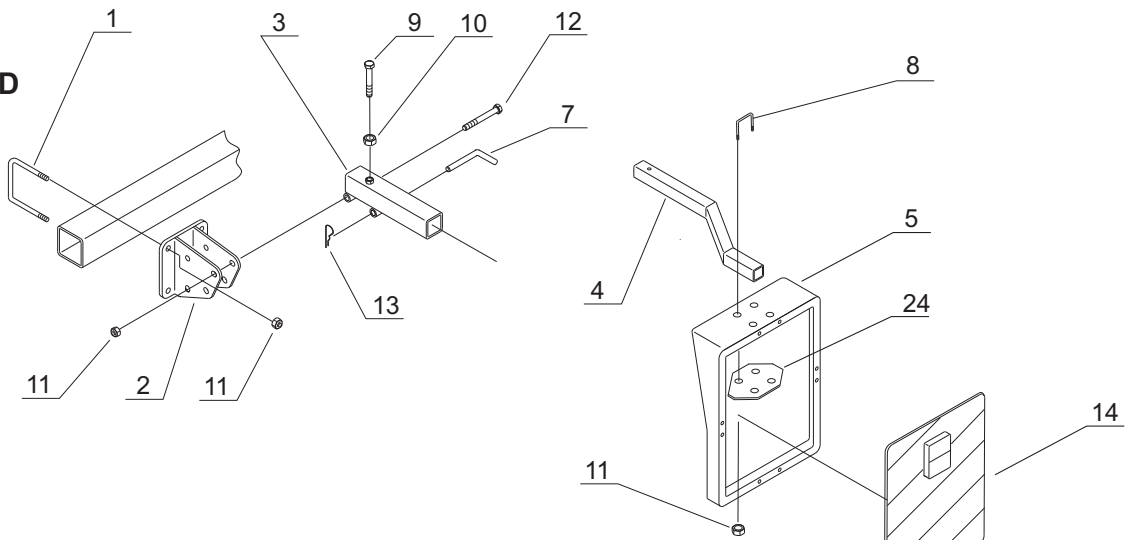
| Fig. | Serial no. | Part no. | Pieces | Notes | Tab. 13 |
|------|------------|-------------|--------|---------------------------------|---------------------|
| 1 | | 372006205 | 4 | Hydraulic cylinder | 4m,5m |
| 1 | | 372006206 | 4 | Hydraulic cylinder | 6m,7m |
| 1a | | 372004393 | - | Seal kit for 372006205 | |
| 1a | | 372004394 | - | Seal kit for 372006206 | |
| 2 | | 71208112006 | 6 | Spring pin with nut | 30x170 |
| 3 | | 7201014405 | 4 | Cylinder Plug | |
| 4 | | 372004999 | 1 | Valve | |
| 5 | | 7000405785 | 8 | Elbow | |
| 6 | | 7210000125 | 2 | Adapter plug | |
| 7 | | | 2 | Bolt | DIN933 M6x35 |
| 8 | | | 2 | Cover | |
| 9 | | | 4 | Holder | |
| 10 | | | 2 | Profil nut | |
| 11 | | 372003543 | 1 | Coupling | |
| 12 | | 71202079363 | 5 | Hydr. Coupling-L | |
| 13 | | 7210000165 | 2 | Hydr. coupling-T | |
| 14 | | 7210000105 | 4 | T-fitting | |
| 15 | | 372003458 | 4 | Hydr. pipe | L=600 |
| 16 | | 372005114 | 4 | Hydr. pipe | L=900 |
| 17 | | 372003460 | 1 | Hydr. hose | L=1500 |
| 18 | | 372005164 | 1 | Hydr. hose | L=1500 |
| 19 | | 7210000104 | 2 | Hydr. hose | L=500 |
| 20 | | 372005144 | 2 | Hydr. hose | L=300 |
| 21 | | 372003461 | 1 | Accumulator | |
| 22 | | 372003622 | 1 | Coupling | |
| 23 | | 300304162 | 1 | Bolt | DIN931 M8x60 |
| 24 | | 300316027 | 1 | Self-locking nut | DIN985 M8 |
| 25 | | 7000600399 | 2 | Parking bush (red) | |
| 26 | | 372003621 | 1 | Manometr | |
| 27 | | 300037400 | 1 | Hydr. Coupling-T | |
| 28 | | 71208010860 | 6 | Splint pin | DIN94 5x50 |
| 29 | | 300304123 | 2 | Bolt | DIN931 M24x2x120 |
| 30 | | 300316012 | 2 | Self-locking nut | DIN985 M24x2 |
| 31 | | 372003627 | 1 | Coupling | |
| 32 | | 372166900 | 1 | Fixation kit for holder 7+8+9+1 | kit incl 1+1+2+1pcs |
| 33 | | 372004192 | 4 | Nipple M18x1.5 / 1/2" | |
| 34 | | 372004193 | 1 | Nipple M18x1.5 / 1/4" | |
| 35 | | 372004191 | 1 | Reversing valve | |
| 36 | | 372006207 | 1 | Breather | 1/8" |
| 37 | | 372006210 | 1 | Hydraulic hose | L=1500 |
| 38 | | 372256800 | 1 | Hydraulic cylinder | |
| 38a | | 372005167 | - | Seal kit for 372256800 | |
| 39 | | 371002554 | 2 | Coupling | |
| 40 | | 71202079060 | 2 | Coupling | |
| 41 | | 7000405834 | 2 | Elbow | |
| 42 | | 372006212 | 8 | Washer | 33x45x2 |
| 43 | | 372005132 | 1 | Hydraulic pipe | L=1180 |
| 44 | | 372005152 | 1 | Hydraulic pipe | L=170 |
| 45 | | 372005149 | 1 | Hydraulic pipe | |
| 46 | | 372005151 | 1 | Hydraulic pipe | |
| 47 | | 372005129 | 1 | Hydraulic pipe | L=280 |
| 48 | | 372005128 | 1 | Hydraulic pipe | L=320 |
| 49 | | 71202079340 | 1 | Coupling | |
| 50 | | 71208004430 | 1 | Clamp | |
| 51 | | 500031879 | 1 | Bolt | DIN931 M6x85 |
| 52 | | 372005153 | 1 | Profil nut | M6 |
| 53 | | 300304160 | 2 | Bolt | DIN933 M8x50 |
| 54 | | 300332039 | 2 | Washer | DIN126 M8 |
| 55 | | 372005113 | 2 | Coupling | |
| 56 | | 372005127 | 1 | Hydraulic pipe | L=880 |
| 57 | | 372005126 | 1 | Hydraulic pipe | L=940 |
| 58 | | 372005252 | 1 | Clamp | D=42 |
| 59 | | 300304147 | 2 | Bolt | DIN931 M6x70 |
| 60 | | 372005456 | 8 | Bush | L=13 5m |
| 60 | | 372005455 | 8 | Bush | L=8 6m,7m |

Tab. 14

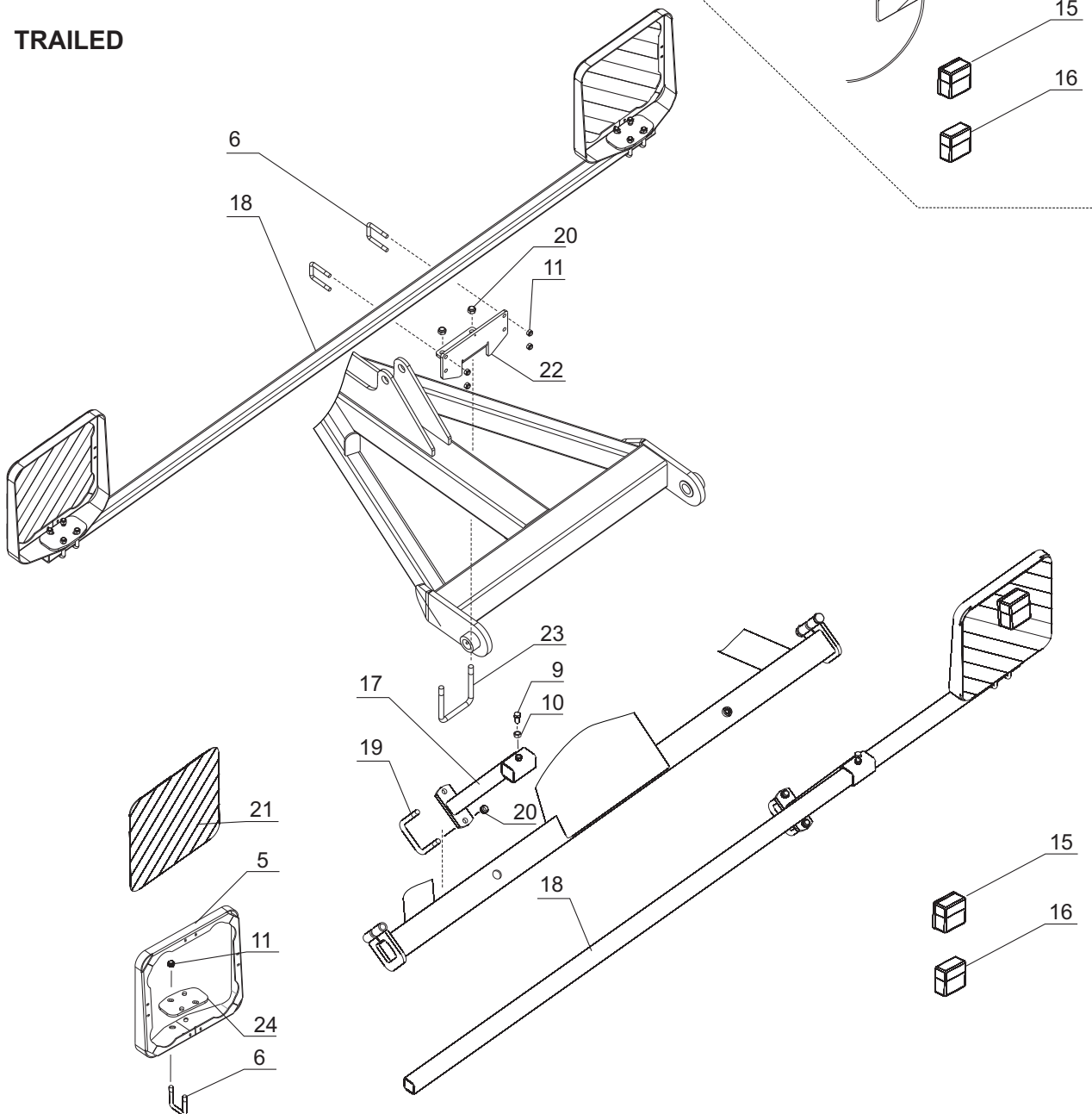


Tab. 15

FULL MOUNTED

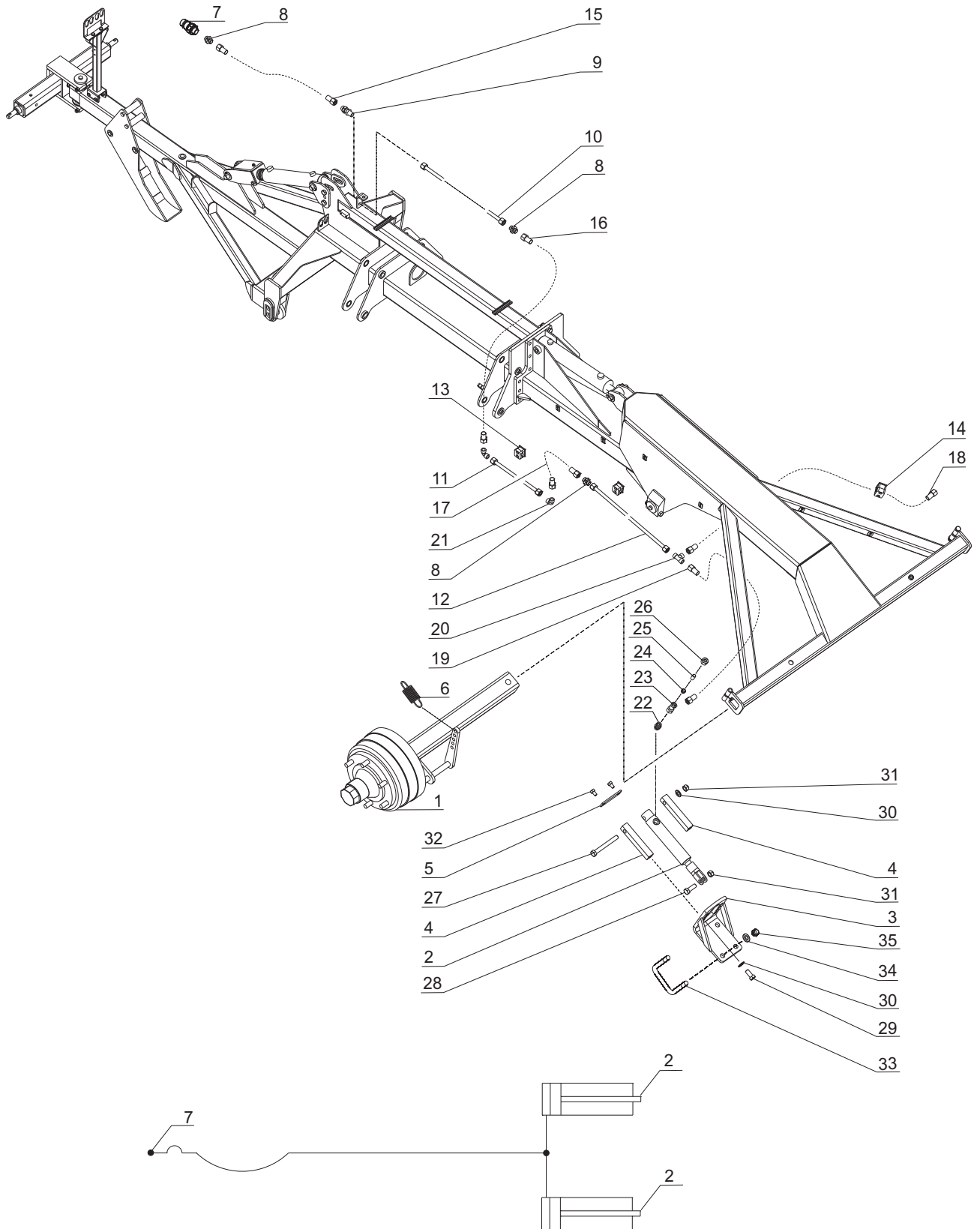


TRAILED



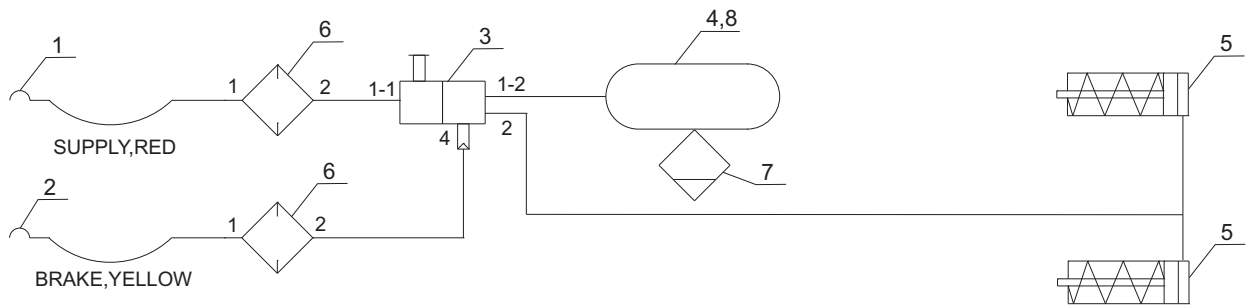
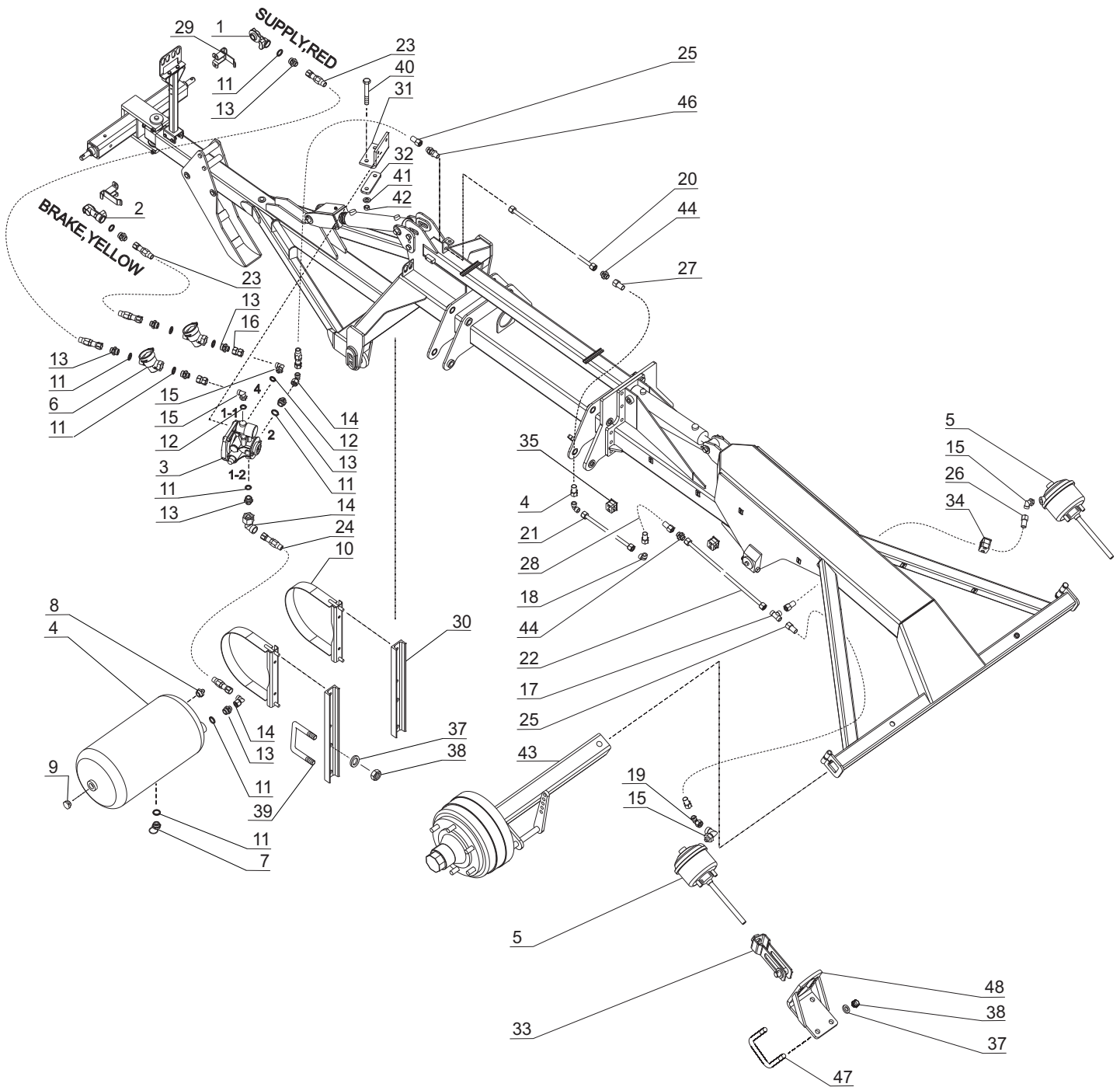
Tab. 16

Hydraulic brake



Tab. 17

Pneumatic brake



| Fig. | Serial no. | Part no. | Pieces | Notes | Tab. 17 |
|------|------------|-------------|--------|--------------------------------|--------------------|
| 1 | | 371004463 | 1 | Hose coupling (red) | |
| 2 | | 371004464 | 1 | Hose coupling (yellow) | |
| 3 | | 371004459 | 1 | Relay emergency valve | |
| 4 | | 371004460 | 1 | Air reservoir | |
| 5 | | 371004462 | 2 | Brake chamber | |
| 6 | | 371004466 | 2 | Air line filte | |
| 7 | | 371004467 | 1 | Drain valve | |
| 8 | | 371004468 | 1 | Test port | |
| 9 | | 371004475 | 3 | Plug | M22x1,5 |
| 10 | | 371004461 | 2 | Clamp | |
| 11 | | 371223200 | 10 | Seal kit | M22x1,5 |
| 12 | | 371223100 | 4 | Seal kit | M16x1,5 |
| 13 | | 371004474 | 9 | Coupling | M22x1,5/M18x1,5 |
| 14 | | 300000867 | 2 | Coupling | M18x1,5 |
| 15 | | 300001927 | 4 | Coupling | M16x1,5/M18x1,5 |
| 16 | | 71202079361 | 2 | Coupling | M18x1,5 |
| 17 | | 7210000105 | 1 | Coupling - T | M18x1,5 |
| 18 | | 7000405834 | 2 | Elbow | |
| 19 | | 71202079363 | 1 | Elbow | |
| 20 | | 372006033 | 1 | Hydraulic pipe | L=1380mm |
| 21 | | 372006034 | 1 | Hydraulic pipe | L=550mm |
| 22 | | 372006035 | 1 | Hydraulic pipe | L=750mm |
| 23 | | 372005454 | 2 | Hydraulic hose | L=4200mm |
| 24 | | 372005144 | 1 | Hydraulic hose | L=300mm |
| 25 | | 7210000124 | 2 | Hydraulic hose | L=1200mm |
| 26 | | 372005164 | 1 | Hydraulic hose | L=1500mm |
| 27 | | 71202077973 | 1 | Hydraulic hose | L=800mm |
| 28 | | 7210000123 | 1 | Hydraulic hose | L=1000mm |
| 29 | | 371004465 | 2 | Dummy coupling | |
| 30 | | 372006038 | 2 | Tank holder | |
| 31 | | 372006039 | 1 | Valve holder | |
| 32 | | 372006040 | 1 | Plate | |
| 33 | | 371004469 | 2 | Mounting kit for brake chamber | |
| 35 | | 372006028 | 4 | Clamp | d=18mm |
| 36 | | 372006027 | 4 | Clamp | d=12mm |
| 37 | | 300332009 | 12 | Washer | DIN126 17 |
| 38 | | 300316023 | 12 | Self-locking nut | DIN985 M16 |
| 39 | | 200056502 | 4 | U-bolt | M16 121x152 |
| 40 | | 100306110 | 2 | Bolt | DIN931 M12x140 8,8 |
| 41 | | 300332008 | 2 | Washer | DIN126 13 |
| 42 | | 300316021 | 2 | Self-locking nut | DIN985 M12 |
| 43 | | 372252100 | 2 | Wheel axle with brake | |
| 44 | | 71202079364 | 2 | Coupling | M18x1,5 |
| 45 | | 371004469 | 2 | Mounting kit for brake chamber | |
| 46 | | 71202079340 | 1 | Coupling | M18x1,5 |
| 47 | | 7002156620 | 4 | U-bolt | M16 91x124 |
| 48 | | 372268300 | 2 | Brake holder | |
| | | | | | |
| | | | | | |
| | | | | | |
| | | | | | |
| | | | | | |

