

ARBUS 200

English version

EDITION - 06/2007

CODE - 979124

Parts catalog



MÁQUINAS AGRÍCOLAS JACTO S.A.

Rua Dr. Luiz Miranda, 1650

17580-000 - Pompéia - SP - Brasil

Tel.: +55 14 3405-2100 - Fax: +55 14 3452 1306

E-mail: export@jacto.com.br

Home page: <http://www.jacto.com.br>

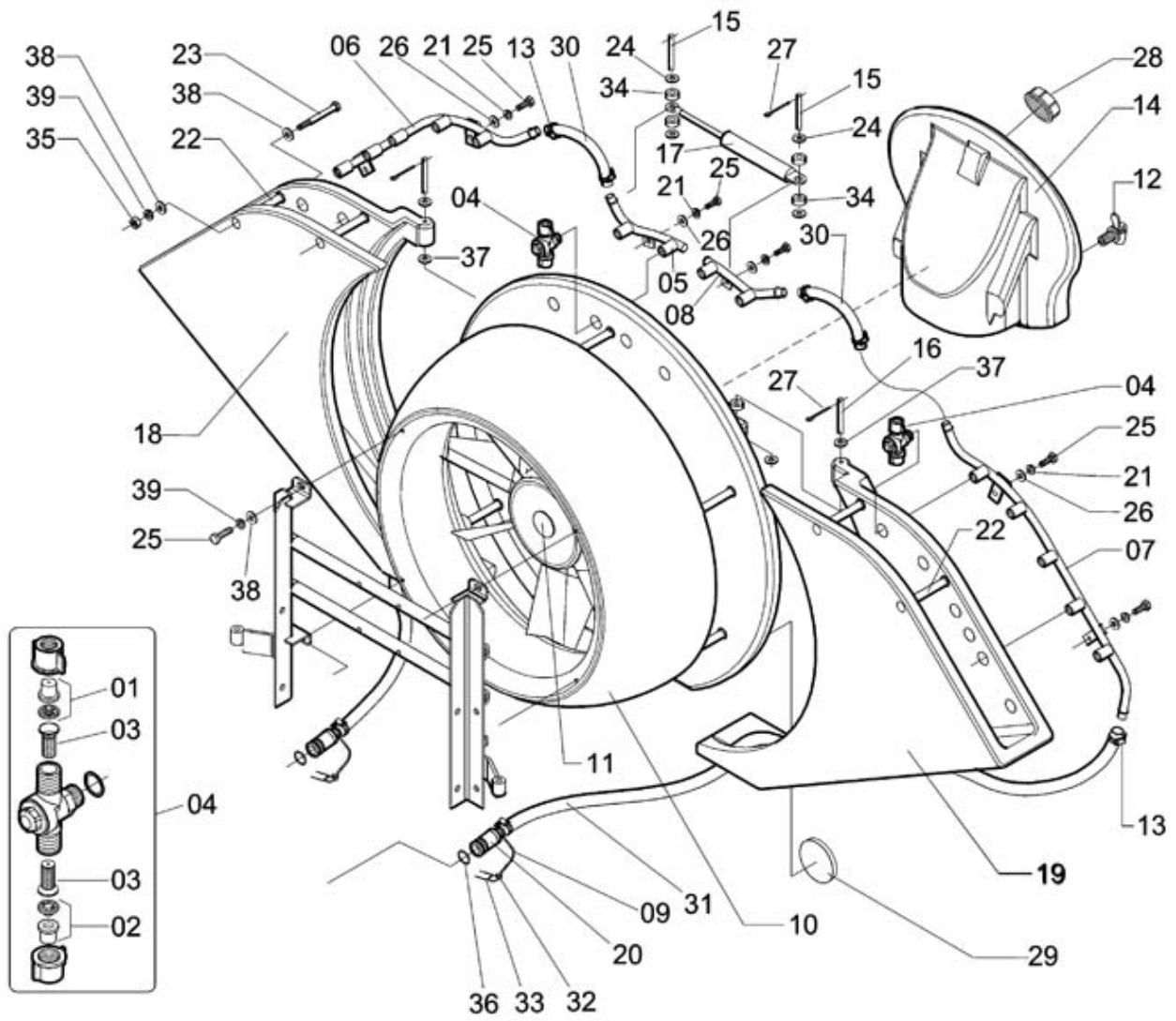
ARBUS 200

EQUIPMENT	PAGE
ARBUS 200 (AGRALE 4100).....	4

**ARBUS 200 (AGRALE 4100)
(CODE: 595876)**

ENTIRE ASSEMBLIES	PAGE
ACCESSORIES BOX "A-200 TDF 540 RPM"	23
APPLICATION ASSEMBLY	6
BEARING BLOCK NO. 22	31
BEARING NO. 25	30
CHASSIS AND COMPLEMENTS	19
CHEMICAL CIRCUIT	8
CHEMICAL CONTAINER RINSE NOZZLE KIT	32
CHEMICAL CONTAINER RINSE NOZZLE ROD	37
CONVENTIONAL PTO SHAFT 610 - S 102 - Z = 6 X Ø 30	20
DIRECTIONAL VALVE 2 L/MIN.	25
DOUBLE NOZZLE HOLDER "II" WITHOUT NOZZLES	17
DOUBLE NOZZLE HOLDER LL ASSEMBLY	18
DRIVE TRANSMISSION AND COMPLEMENTS	24
DRIVEN TRANSMISSION AND COMPLEMENTS	10
FILLER UNIT EJ-150 ASSEMBLY	16
FILTER FVS-100	34
HYDRAULIC AGITATOR	26
JACTO CONTROL - 42 L/MIN - MODEL "A"	22
JACTO PISTON PUMO FOR 42 L/MIN	27
LAYOUT STICKERS FOR ARBUS 200	14
LID WITH BREATHER	5
PRESSURE REGULATOR	12
PTO SHAFT 500	21
QUICK FITTING 1/2"	33
RINSE NOZZLE	36
TRAPEZE BELT HY-T3V-0600	35
VALVE - CHEMICAL CONTAINER RINSE NOZZLE	29

APPLICATION ASSEMBLY



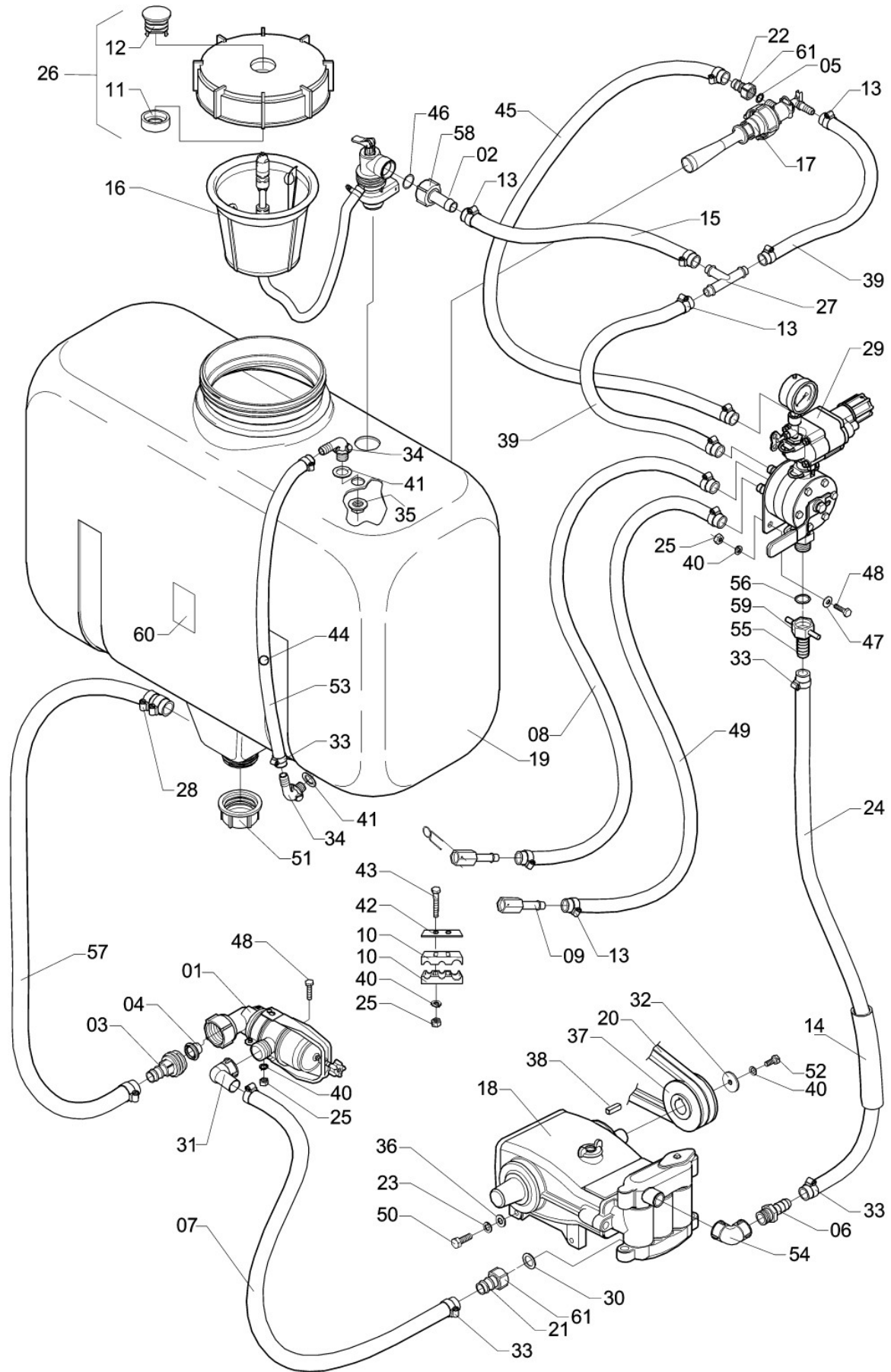
CA-147

APPLICATION ASSEMBLY

Continuation

Item	CODE	DESCRIPTION	Qty.	Item	CODE	DESCRIPTION	Qty.
00	084129	Application assembly	1				
01	000026	Cone nozzle JA-2 (black)	14				
02	454272	Cone nozzle JA-4 (red)	14				
03	440156	Nozzle filter (80 mesh)	28				
04	645887	Double nozzle holder II assembly	14				
05	083485	Complementary nozzle branch - right	1				
06	086272	Deflector nozzle branch - right	1				
07	086280	Deflector nozzle branch - left	1				
08	086298	Complementary nozzle branch - left	1				
09	437822	Chain 120 mm	2				
10	086454	Deflector 500	1				
11	018895	Plastic plug ø 52.3	1				
12	044180	Plastic tap 23 x 3/8" BSP	1				
13	107664	Clamp D14-22 - stainless steel	8				
14	084012	15-liter tank	1				
15	084046	Pin 7.94 x 70	4				
16	084053	Pin 7.94 x 100	4				
17	086314	Gas spring	2				
18	087676	Grape deflector - right	1				
19	087684	Grape deflector - left	1				
20	636407	Spray gun quick fitting 1/2"	2				
21	209395	Lock washer M10	14				
22	325050	Spacer bushing 95	4				
23	222760	Flat washer Ø 3/8" -16 UNC x 5"	4				
24	013433	Flat washer	16				
25	086405	Bolt M10 x 20 x 1.5	10				
26	109678	Flat washer 105 x 254 x 12.4	8				
27	808451	Cotter pin ø 3/32" x 3/4"	16				
28	900761	Drain cap ø 67	1				
29	097360	Reflector	2				
30	703678	Hose 1/2" x 230	2				
31	083345	Hose Ø 1/2" x 1140	2				
32	622969	Double ring ø 22 x 26 x 3	4				
33	636399	Quick fitting clamp	2				
34	133165	Bushing 12.7 x 9	8				
35	912774	Hex. nut 3/8" - 16 UNC	4				
36	440982	O-ring OR1-117	2				
37	214353	Flat washer 130 x 300 x 19	12				
38	973313	Flat washer 105 x 210 x 20	4				
39	908566	Lock washer ø 3/8"	4				

CHEMICAL CIRCUIT



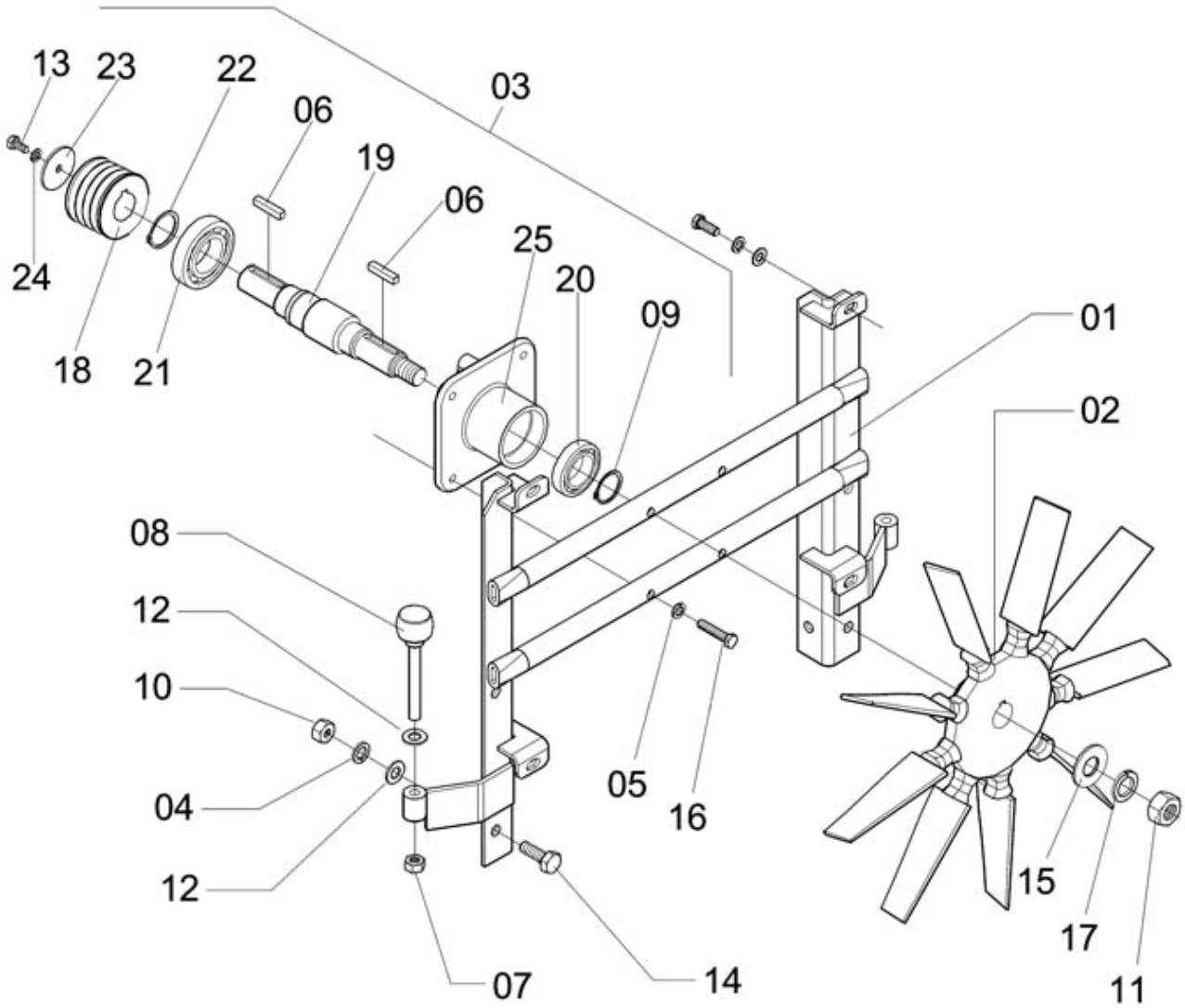
CD-411

CHEMICAL CIRCUIT

Continuation

Item	CODE	DESCRIPTION	Qty.	Item	CODE	DESCRIPTION	Qty.
00	150748	Chemical circuit	1	60	449629		1
01	005777	Filter FVS-100	1	61	511733	Round nut 1" BSP (40-45)	2
02	731539	Hose fitting 1/2"	1				
03	005926	Plastic extension 1.1/4"	1				
04	005934	Valve seat	1				
05	010827	Packing ring ø 29 x 22 x 3	1				
06	011114	Hose fitting ø 3/4"	1				
07	037531	Hose 1" x 240	1				
08	062463	Hose 1/2" x 1300	1				
09	086447	Quick fitting 1/2"	2				
10	088096	Semiclamp for tube 19	4				
11	088419	Labyrinth lock	1				
12	088427	Labyrinth	1				
13	107664	Clamp D14-22 - stainless steel	10				
14	172049		1				
15	127787	Hose ø 1/2"	1				
16	136648	Chemical container rinse nozzle kit	1				
17	139584	Hydraulic agitator	1				
18	142455	Piston pump	1				
19	144048	200-liter tank	1				
20	150508	Trapeze belt A-29	2				
21	404434	Hose fitting	1				
22	429043	Fitting 3/4" x 22.6	1				
23	209395	Lock washer M10	4				
24	211995	Hose 3/4" x 1150	1				
25	221648	Nut M8 x 1.25 - stainless steel	8				
26	037374	Lid with breather	1				
27	318170	Tee hose fitting ø 1/2"	1				
28	330969	Clamp D25-38 - stainless steel	3				
29	188102	Jacto control - 42 L/min - Model "A"	1				
30	402412	Lock washer ø 31 x 22.5 x 22.5/3.0	1				
31	428789	Elbow 90° - 1.1/4" BSP x ø 1"	1				
32	420281	Flat washer 82 x 350 x 30	1				
33	423814	Clamp D22-32 - stainless steel	8				
34	428730	Elbow 3/4" x 1/2" BSP -14 F.P.P.	2				
35	428748	Flanged nut 1/2" BSP -14 F.P.P.	2				
36	013433	Flat washer	2				
37	449884	Pulley 120-2A x 25	1				
38	520296	Rectangular key	1				
39	943225	Hose 1/2" x 500	2				
40	519736	Lock washer M8	9				
41	563510	Seal washer ø 36,3	2				
42	618397	Semiclamp 25 x 87	2				
43	715490	Hex. bolt M8 x 50 x 1.25	4				
44	717181	Ball float ø 14	1				
45	717223	Hose 3/4" x 970	1				
46	731521	O-ring OR1 - 124	1				
47	973313	Flat washer 105 x 210 x 20	4				
48	829374	Hex. head bolt M8 x 20 x 1.25 -cl 8.8	5				
49	814459	Hose 1/2" x 1250	1				
50	829515	Hex. bolt M10 x 30 x 1.5	4				
51	900761	Drain cap ø 67	1				
52	829341	Hex. head bolt M8 x 16 x 1.25	1				
53	906735	Hose 3/4" x 750	1				
54	908459	Elbow ø 3/4" - 90°	1				
55	606764	Fitting for hose ø 3/4"	1				
56	706796	O-ring OR1-114	1				
57	174391		1				
58	005884	Nut 1.1/4" BSP	1				
59	403014	Hexagonal wing nut 3/4" BSP	1				

DRIVEN TRANSMISSION AND COMPLEMENTS



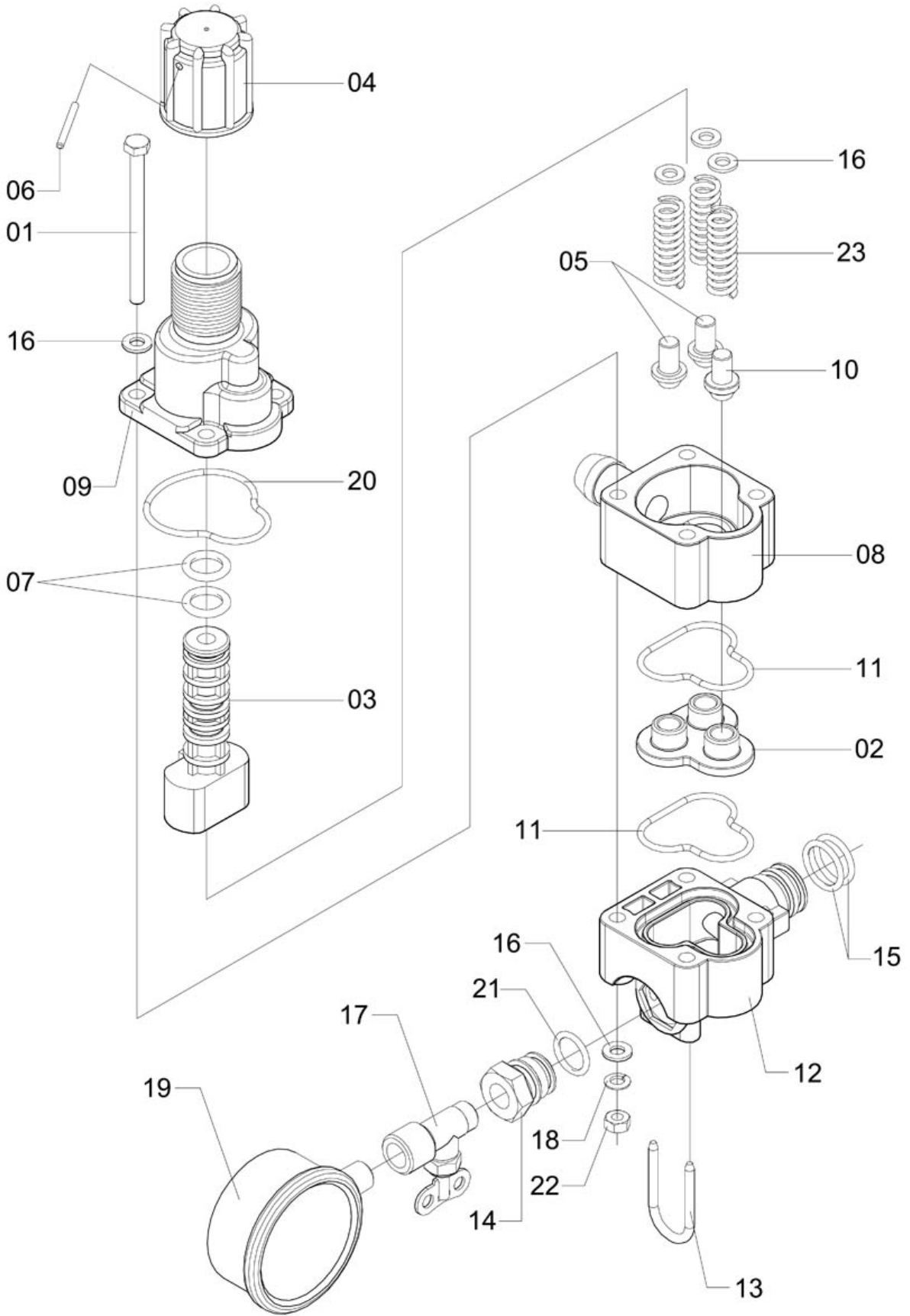
TMV-32

DRIVEN TRANSMISSION AND COMPLEMENTS

Continuation

Item	CODE	DESCRIPTION	Qty.	Item	CODE	DESCRIPTION	Qty.
00	084111	Driven transmission and complements	1				
01	083584	Transmission support frame	1				
02	083774	Fan 550/9	1				
03	084103	Bearing block no. 22	1				
04	209163	Lock washer M12	4				
05	908566	Lock washer \varnothing 3/8"	4				
06	015305	Square key 5/16" x 30	2				
07	326280	Nut \varnothing 1/2" UNC	2				
08	941948	Tightening screw \varnothing 1/2" - 13 UNC	2				
09	910166	Snap ring for shaft	1				
10	937722	Hex. nut M-12 x 1.75	4				
11	652594	Hex. nut M-22 x 1.5	1				
12	818112	Flat washer 130 x 240 x 30	6				
13	810705	Bolt M-8 x 30 x 1,25	1				
14	086439	Hex. bolt M12 x 30 x 1.75	4				
15	881318	Flat washer 235 x 500 x 31	1				
16	912717	Bolt 3/8" x 16 UNC x 1.3/4"	4				
17	917526	Lock washer \varnothing 7/8"	1				
18	083436	Pulley 70-3-3V	1				
19	083444	Shaft 221	1				
20	202549	Fixed bearing	1				
21	203737	Fixed bearing	1				
22	209569	Snap ring for shaft \varnothing 50	1				
23	507665	Flat washer 82 x 506 x 30	1				
24	519736	Lock washer M8	1				
25	734376	Engine bearing block body	1				

PRESSURE REGULATOR



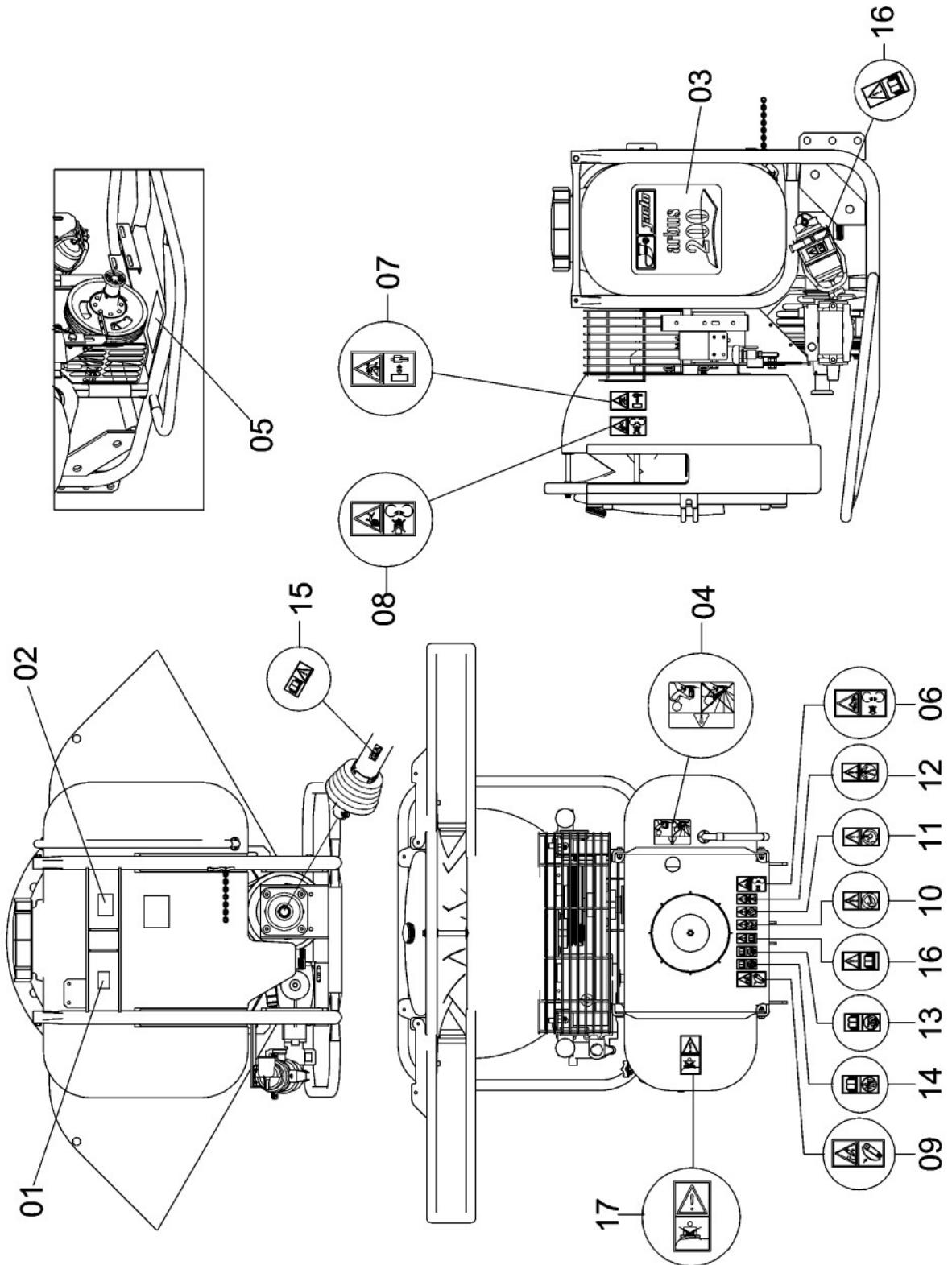
CV-334

PRESSURE REGULATOR

Continuation

Item	CODE	DESCRIPTION	Qty.	Item	CODE	DESCRIPTION	Qty.
00	348896	Pressure regulator	1				
01	049767	Bolt M6 x 80 x 1.00	4				
02	072231	Valve seat	1				
03	073551	Regulator rod	1				
04	073569	Handgrip	1				
05	073585	Cell	2				
06	073700	Handgrip pin	1				
07	099036	O-ring OR1-207	2				
08	146035	Intermediate block	1				
09	146043	Regulator cylinder	1				
10	148601	Patch with guide	1				
11	216200	O-ring ORI-132	2				
12	346197	Regulator body	1				
13	348789	Lock 22	1				
14	348862	Fitting \varnothing 1/4" - 19 BSP	1				
15	358226	O-ring ORI - 116	2				
16	358267	Flat washer 64 x 125 x 16	11				
17	507319	Needle valve for pressure gauge	1				
18	521666	Lock washer M6	4				
19	551945	Pressure gauge (0 to 40 kgf/cm ²) (glycerin-filled)	1				
20	573154	O-ring OR1-136	1				
21	706796	O-ring OR1-114	1				
22	810689	Hex. nut M6 x 1.00	4				
23	941096	Compression spring 8.7 x 41	3				

LAYOUT STICKERS FOR ARBUS 200



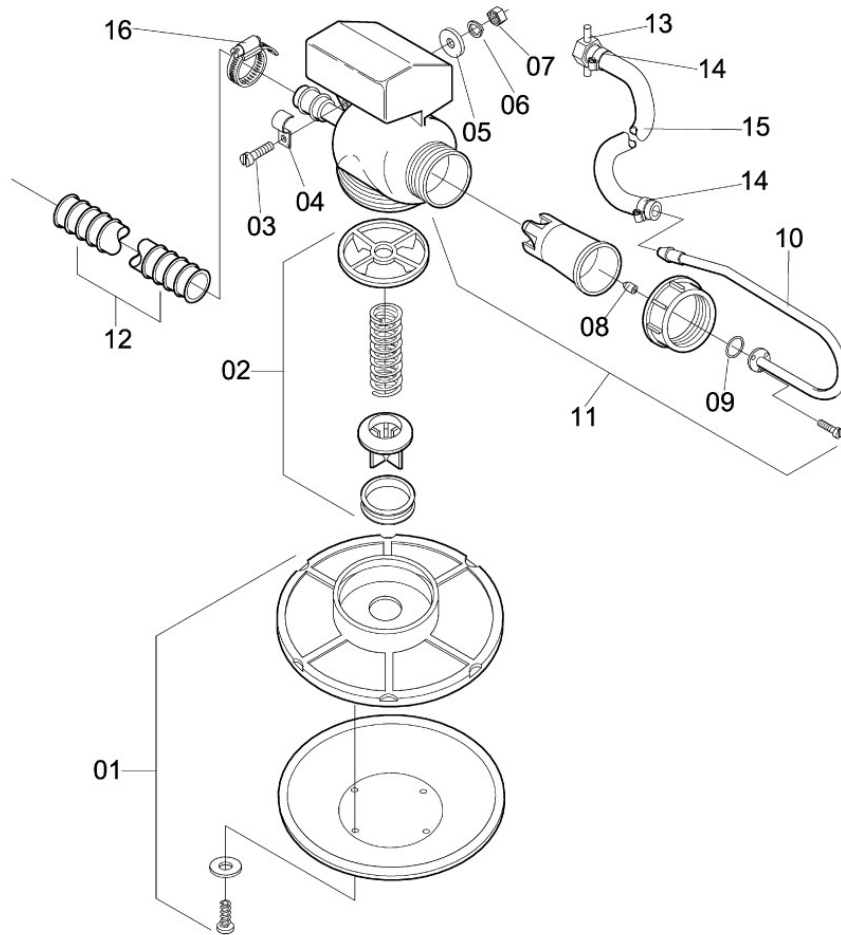
ADS-11

LAYOUT STICKERS FOR ARBUS 200

Continuation

Item	CODE	DESCRIPTION	Qty.	Item	CODE	DESCRIPTION	Qty.
00	674200	Layout stickers for Arbus 200	1				
01	013169	Sticker: "OK- FINAL TEST"	1				
02	047027	Identification plate	1				
03	156216	Sticker: "ARBUS 200 "	2				
04	169128	Sticker: "Chemical container rinse nozzle"	1				
05	184440	Fan unlocking instructions decal	1				
06	379008	Sticker: "Danger - PTO Shaft"	1				
07	379040	Sticker: "Attention - Keep at a Distance"	1				
08	379057	Sticker: "Keep at a Distance - Fan"	1				
09	379065	Sticker: "Keep all shields in place"	1				
10	379115	Sticker: "Obligatory Use of Respirator"	1				
11	379123	Sticker: "Obligatory Use of Hearing Protection"	1				
12	379131	Sticker: "Obligatory Use of Protective Clothing"	1				
13	379214	Sticker: "Maximum Speed 30 KM/H"	1				
14	379222	Sticker: "This Machine Is Not Allowed In Highways"	1				
15	379230	Sticker: "Read Operator's Manual - Horizontal"	1				
16	379248	Sticker: "Read Operator's Manual - Vertical"	2				
17	380014	Sticker: "Attention: Do Not Get Into The Tank"	1				

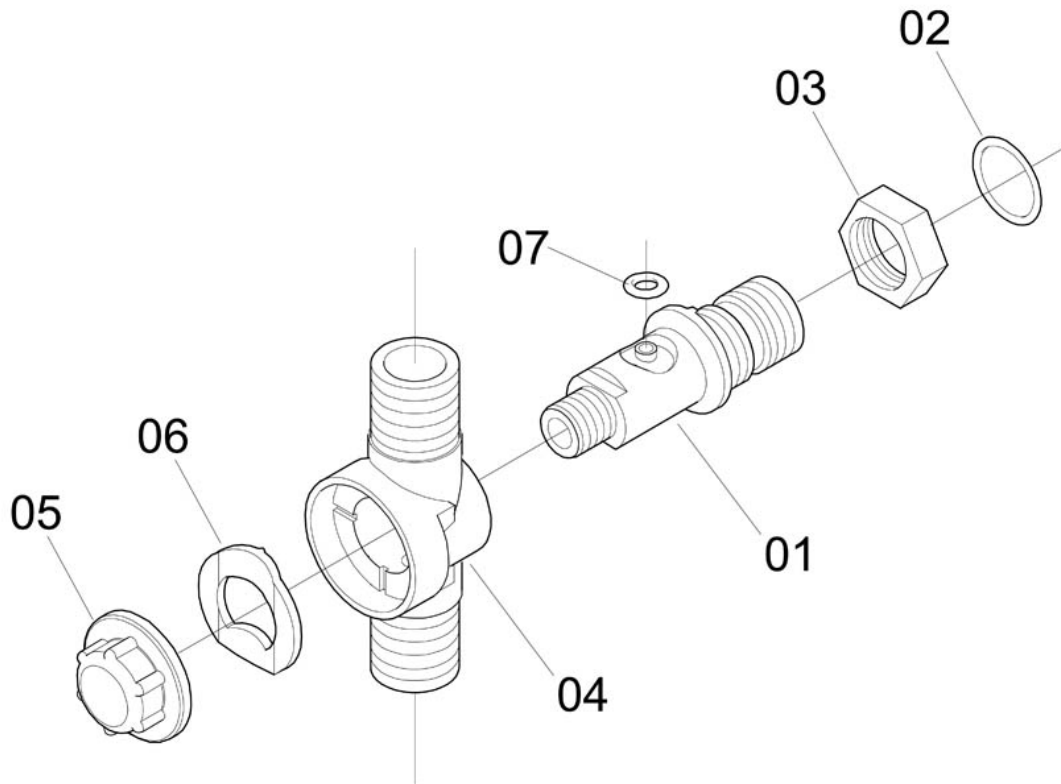
FILLER UNIT EJ-150 ASSEMBLY



A-12

Item	CODE	DESCRIPTION	Qty.	Item	CODE	DESCRIPTION	Qty.
00	612945	Filler unit EJ-150 assembly	1				
00A	913400	Filler unit EJ-150 without hose	1				
01	111542	Filtering element with hub and screw	1				
02	114967	Filler unit repair kit	1				
03	912642	Screw \varnothing 1/4" UNC x 5/8"	1				
04	612747	Clamp 10	1				
05	707182	Flat washer 63 x 140 x 9.1	1				
06	910117	Lock washer \varnothing 1/4"	1				
07	912741	Nut \varnothing 1/4" - 20 UNC	1				
08	322537	Dosage bushing	1				
09	417709	O-ring OR1 -012	1				
10	612853	Injection nozzle	1				
11	206474	Filler unit body assembly	1				
12	915660	Hose \varnothing 1.1/4" x 5000	m				
13	422444	Fitting \varnothing 3/8" x 3/4" with nut	1				
14	063370	Clamp D 12-16 - stainless steel	2				
15	91998317		m				
16	330969	Clamp D25-38 - stainless steel	1				
	052241	Sticker: "JP-40"	1				

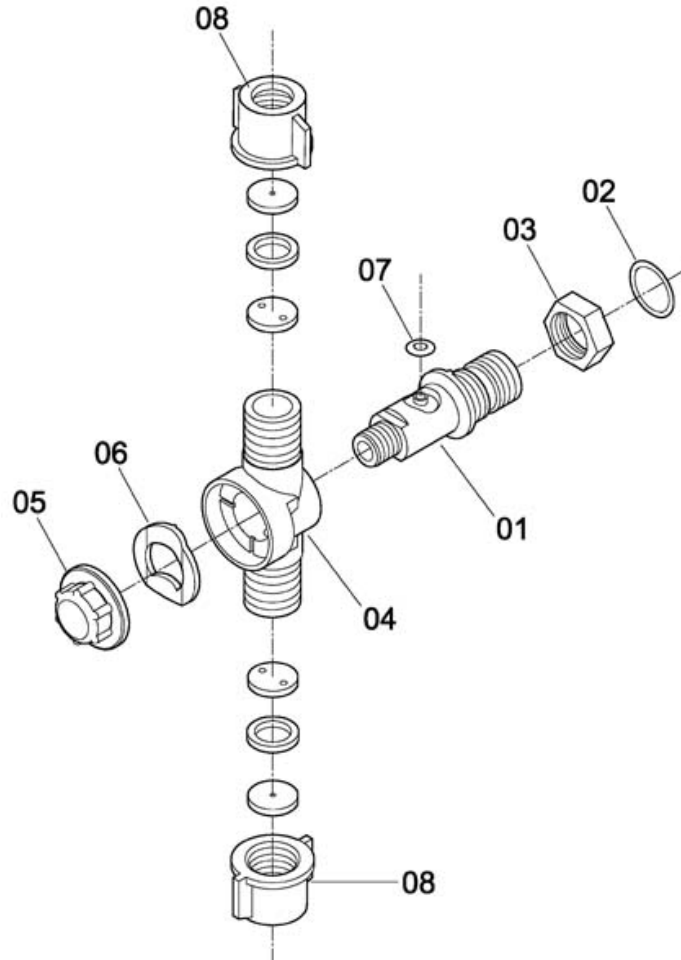
DOUBLE NOZZLE HOLDER "II" WITHOUT NOZZLES



BC-42

Item	CODE	DESCRIPTION	Qty.	Item	CODE	DESCRIPTION	Qty.
00	168963	Double nozzle holder "II" without nozzles	1				
01	645838	Nozzle holder core	1				
02	120071	O-ring ORI - 015	1				
03	645853	Hex. nut 3/8" -19 BSP	1				
04	645895	Double nozzle holder body	1				
05	645879	Retainer washer	1				
06	645861	Flat spring	1				
07	340851	O-ring OR2 - 201	1				

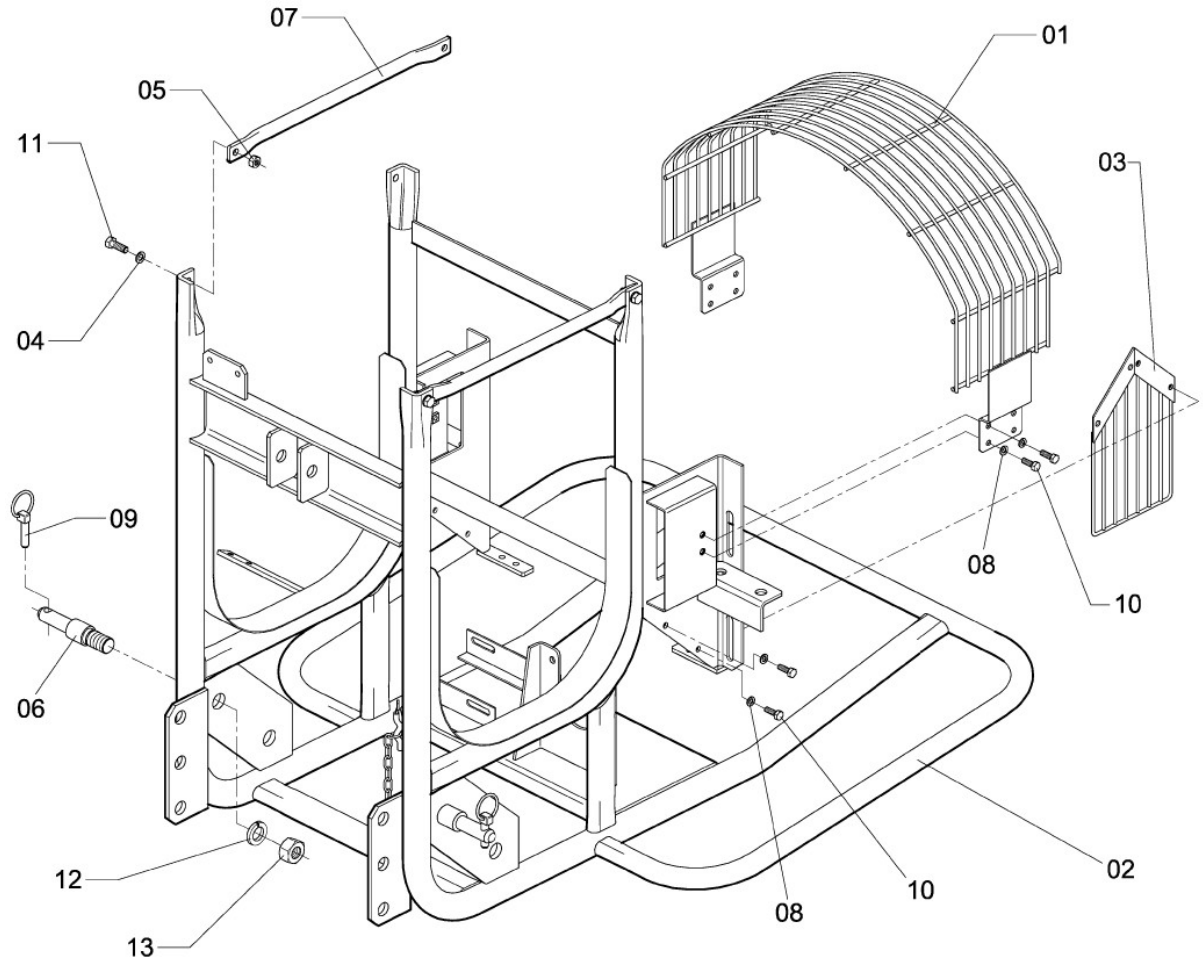
DOUBLE NOZZLE HOLDER LL ASSEMBLY



BC-19

Item	CODE	DESCRIPTION	Qty.	Item	CODE	DESCRIPTION	Qty.
00	645887	Double nozzle holder ll assembly	1				
01	645838	Nozzle holder core	1				
02	120071	O-ring ORI - 015	1				
03	645853	Hex. nut 3/8" -19 BSP	1				
04	645895	Double nozzle holder body	1				
05	645879	Retainer washer	1				
06	645861	Flat spring	1				
07	340851	O-ring OR2 - 201	1				
08	710590	Nozzle cap	2				

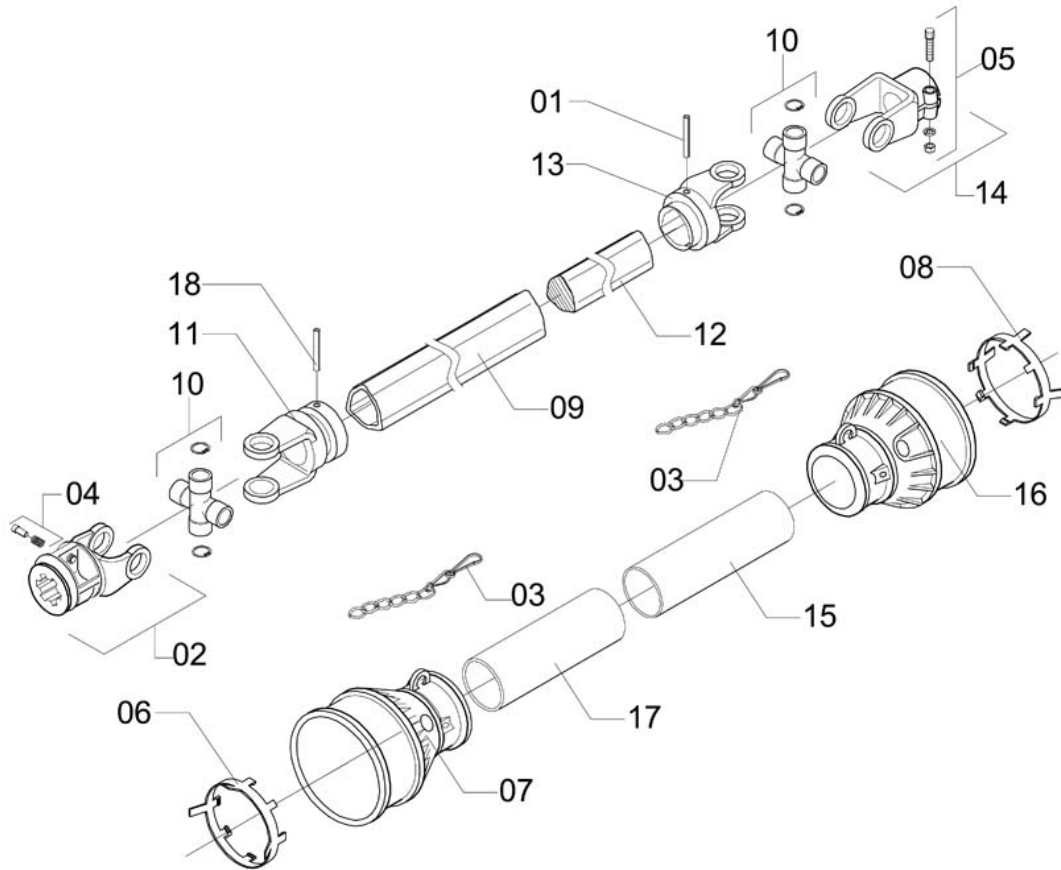
CHASSIS AND COMPLEMENTS



C3P-58

Item	CODE	DESCRIPTION	Qty.	Item	CODE	DESCRIPTION	Qty.
00	142414	Chassis and complements	1				
01	083535	Guard screen	1				
02	097345	Chassis	1				
03	140699	Side guard screen	1				
04	209395	Lock washer M10	4				
05	209205	Hex. nut M10 x 1,50	4				
06	429027	Lower coupling pin ø 22 x 1	2				
07	449991	Angle brace 450	2				
08	519736	Lock washer M8	6				
09	812636	Universal lock pin 7/16"	2				
10	829382	Hex head bolt M8 x 25 x 1.25	6				
11	829515	Hex. bolt M10 x 30 x 1.5	4				
12	910075	Lock washer ø 1"	2				
13	910430	Nut ø 1" - 8 UNC	2				

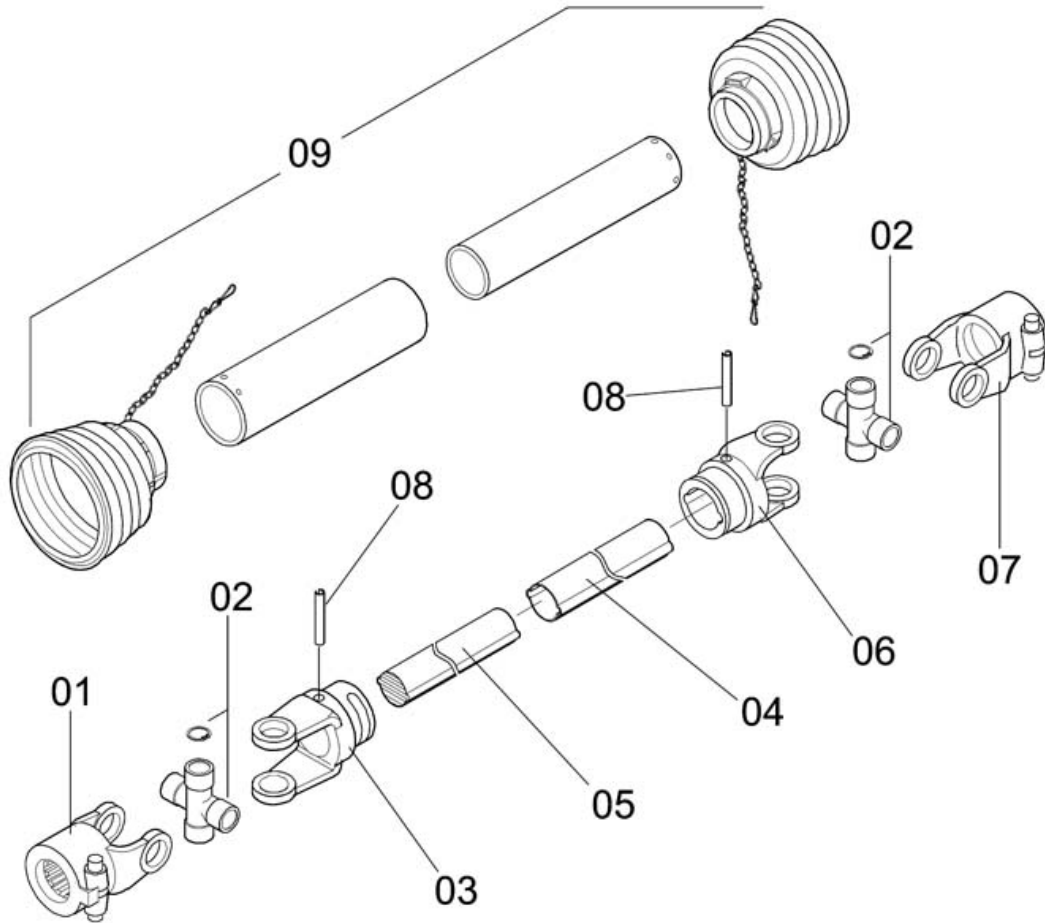
CONVENTIONAL PTO SHAFT 610 - S 102 - Z = 6 X Ø 30



CN-30

Item	CODE	DESCRIPTION	Qty.	Item	CODE	DESCRIPTION	Qty.
00	558932	Conventional PTO shaft 610 - S 102 - Z =	1				
01	912626	Flexible pin	1				
02	207589	Coupling end with lock - tractor end (1.3/8"Z=6)	1				
03	457127	Chain	2				
04	210641	Lock with spring	1				
05	457192	Bolt and nut	1				
06	643510	Shield lock	1				
07	643676	Cross shield (PTO end)	1				
08	643569	Shield lock	1				
09	643783	Female tube	1				
10	643411	Cross	2				
11	952761	Internal coupling end - tractor end	1				
12	643791	Male tube	1				
13	952753	Internal coupling end - sprayer end	1				
14	643502	Coupling end (sprayer end)	1				
15	643817	Male tube shield	1				
16	643700	Cross shield (sprayer end)	1				
17	643809	Female tube shield	1				
18	207449	Flexible pin ø 8 x 55	1				

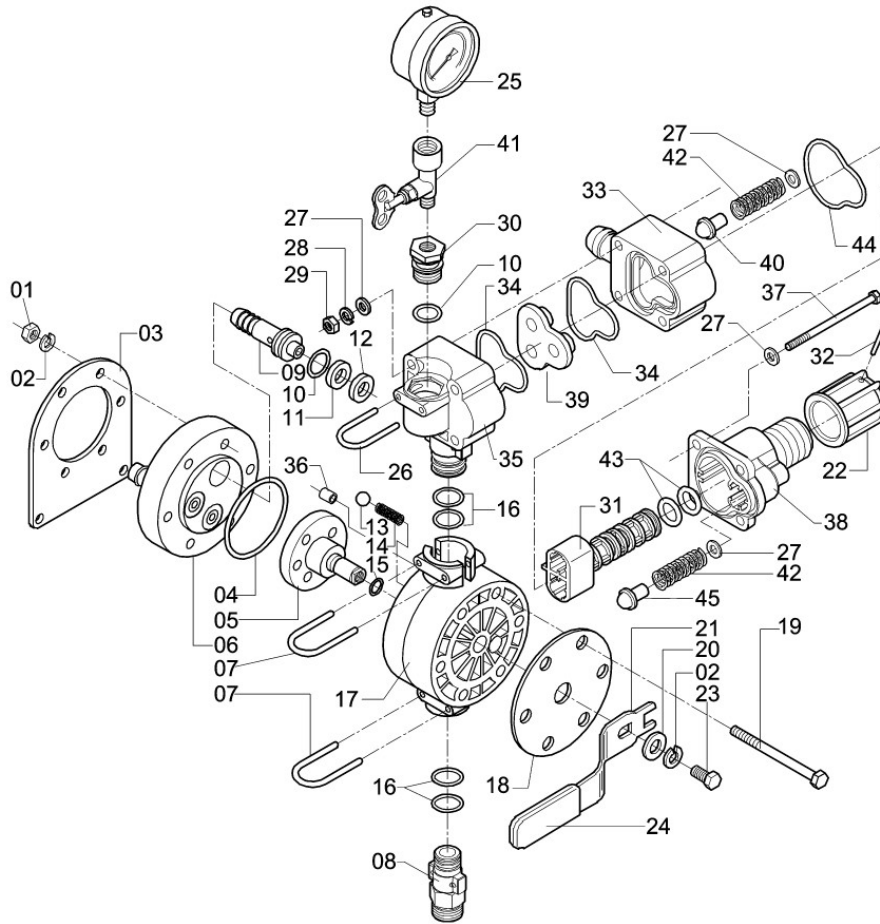
PTO SHAFT 500



CN-10

Item	CODE	DESCRIPTION	Qty.	Item	CODE	DESCRIPTION	Qty.
00	128173	PTO shaft 500	1				
01	227371	Coupling end (tractor end)	1				
02	130369	Cross assembly with lock	2				
03	227397	Male tube coupling end	1				
04	227488	Female tube	1				
05	227496	Male tube	1				
06	227405	Female tube coupling end	1				
07	227389	Coupling end (sprayer end)	1				
08	227447	Flexible pin	2				
09	227504	Plastic shield assembly	1				

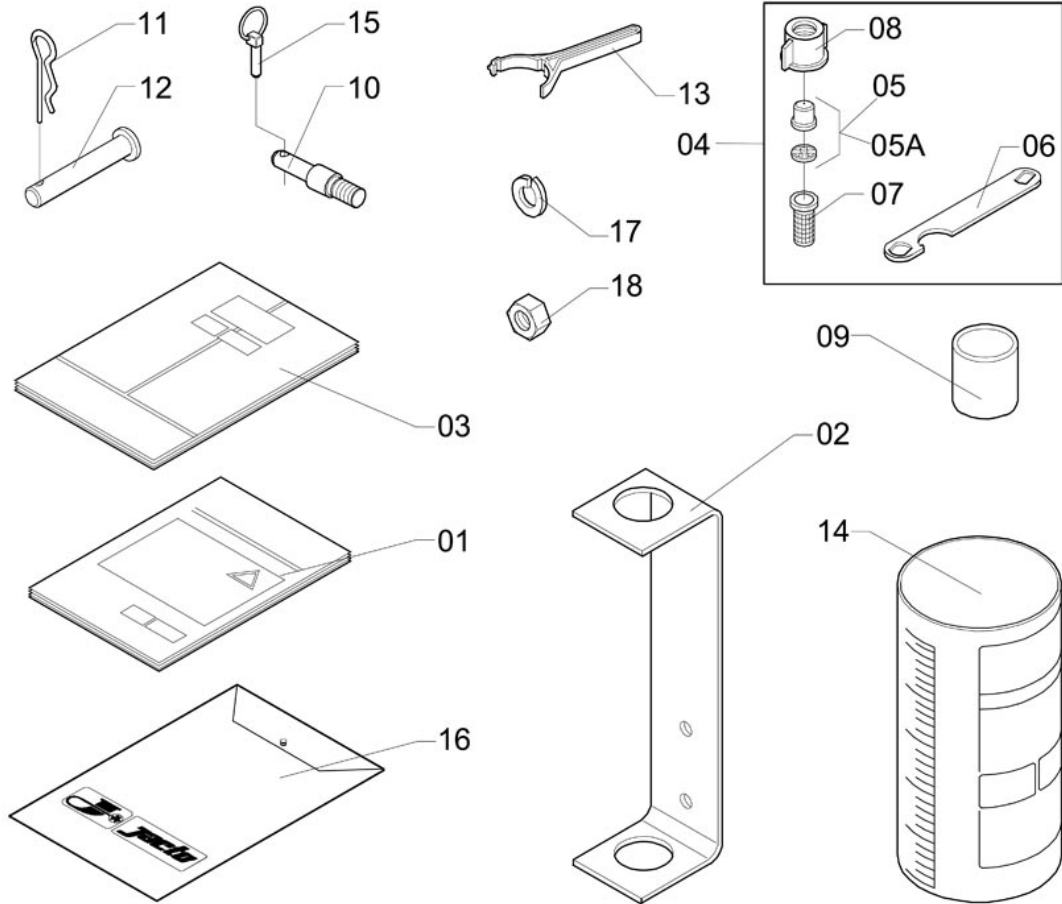
JACTO CONTROL - 42 L/MIN - MODEL "A"



CV-259

Item	CODE	DESCRIPTION	Qty.	Item	CODE	DESCRIPTION	Qty.
00	188102	Jacto control - 42 L/min - Model "A"	1	24	945964	Lever handgrip	1
00A	348904	Directional valve 2 L/Min.	1	25	551945	Pressure gauge (0 to 40 kgf/cm ²) (glycerin-filled)	1
00B	348896	Pressure regulator	1	26	348789	Lock 22	1
01	810770	Hex. nut M-8 x 1.25	6	27	358267	Flat washer 64 x 125 x 16	20
02	519736	Lock washer M8	7	28	521666	Lock washer M6	4
03	358382	Support	1	29	810689	Hex. nut M6 x 1.00	4
04	358242	O-ring ORI - 142	1	30	348862	Fitting \varnothing 1/4" - 19 BSP	1
05	348805	Distributor	1	31	073551	Regulator rod	1
06	333096	Valve cover	1	32	073700	Handgrip pin	1
07	348771	Lock	2	33	146035	Intermediate block	1
08	170399	Male fitting \varnothing 3/4" BSP	1	34	216200	O-ring ORI-132	2
09	346130	Hose fitting \varnothing 1/4"	3	35	346197	Regulator body	1
10	706796	O-ring OR1-114	4	36	555037	Bushing	1
11	414771	O-ring \varnothing 20 x 11 x 3.0	3	37	049767	Bolt M6 x 80 x 1.00	4
12	348813	Packing ring	3	38	146043	Regulator cylinder	1
13	358234	Ball \varnothing 1/2"	1	39	072231	Valve seat	1
14	411603	Compression spring	1	40	073585	Cell	2
15	416669	O-ring OR1-110	1	41	507319	Needle valve for pressure gauge	2
16	358226	O-ring ORI - 116	4	42	941096	Compression spring 8.7 x 41	3
17	333039	Valve body	1	43	099036	O-ring OR1-207	2
18	348763	Plate	1	44	573154	O-ring OR1-136	1
19	358218	Hex. bolt M8 x 80 x 1.25	6	45	148601	Patch with guide	1
20	013433	Flat washer	1				
21	348870	Lever	1				
22	073569	Handgrip	1				
23	033696	Hex. head bolt M8 x 12 x 1.25	1				

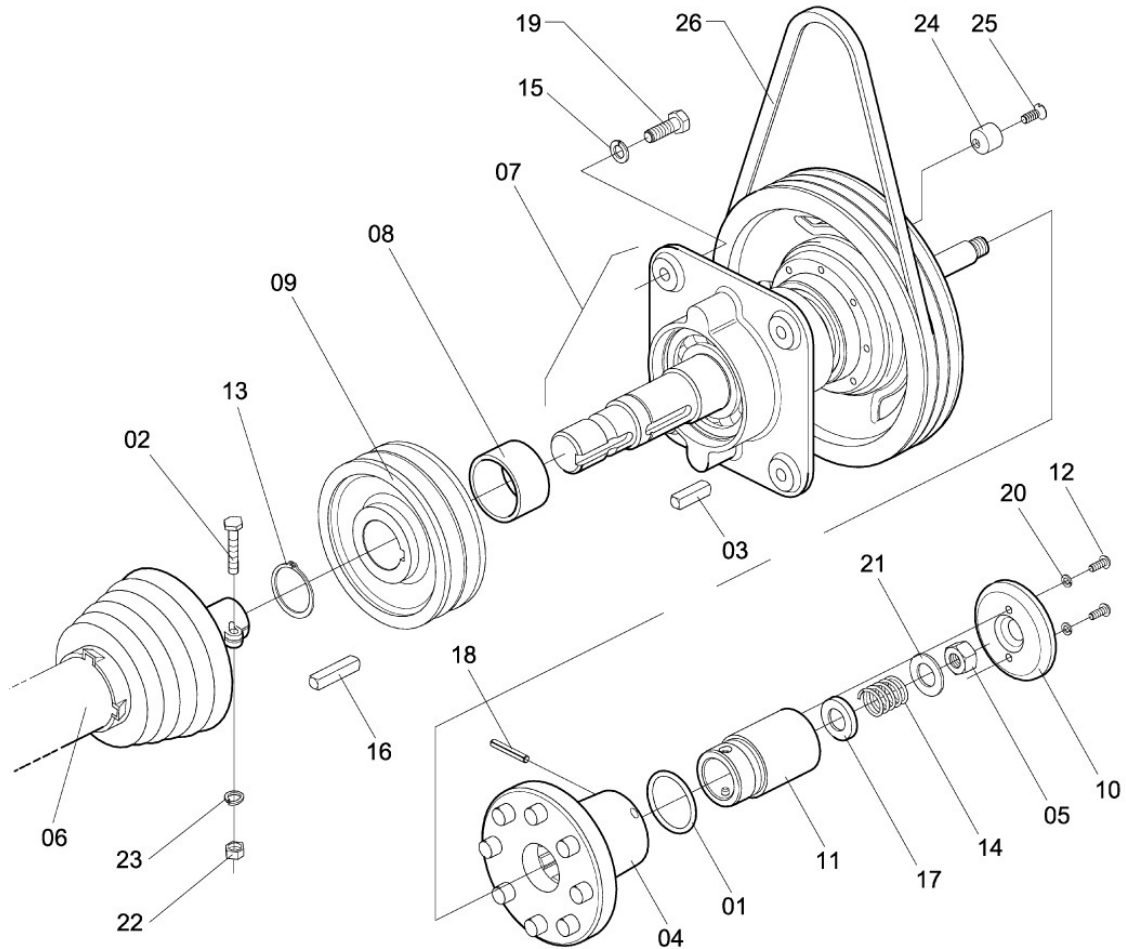
ACCESSORIES BOX "A-200 TDF 540 RPM"



CXA-232

Item	CODE	DESCRIPTION	Qty.	Item	CODE	DESCRIPTION	Qty.
00	466359	Accessories box "A-200 TDF 540 RPM"	1				
01	907212	Operator's manual Chemical container rinse nozzle (USA)	1				
02	220830	Gun holder	1				
03	510883	Operator's manual "Arbus 200"- English	1				
04	387944	Nozzles composition JA-2/JA-4 (28)	1				
05	000026	Cone nozzle JA-2 (black)	16				
05A	454272	Cone nozzle JA-4 (red)	16				
06	436493	Flat fan nozzle aligner	1				
07	439083	Nozzle filter (50 mesh)	32				
08	710590	Nozzle cap	32				
09	400325	Lower coupling pin sleeve	2				
10	429027	Lower coupling pin ø 22 x 1	2				
11	517409	Cotter pin 3/16"	1				
12	602912	Coupling pin 19 x 113	1				
13	703694	Key 40-45	1				
14	767061	Flow calibrator bottle	1				
15	812636	Universal lock pin 7/16"	2				
16	867127	Plastic folder	1				
17	910075	Lock washer ø 1"	2				
18	910430	Nut ø 1" - 8 UNC	2				

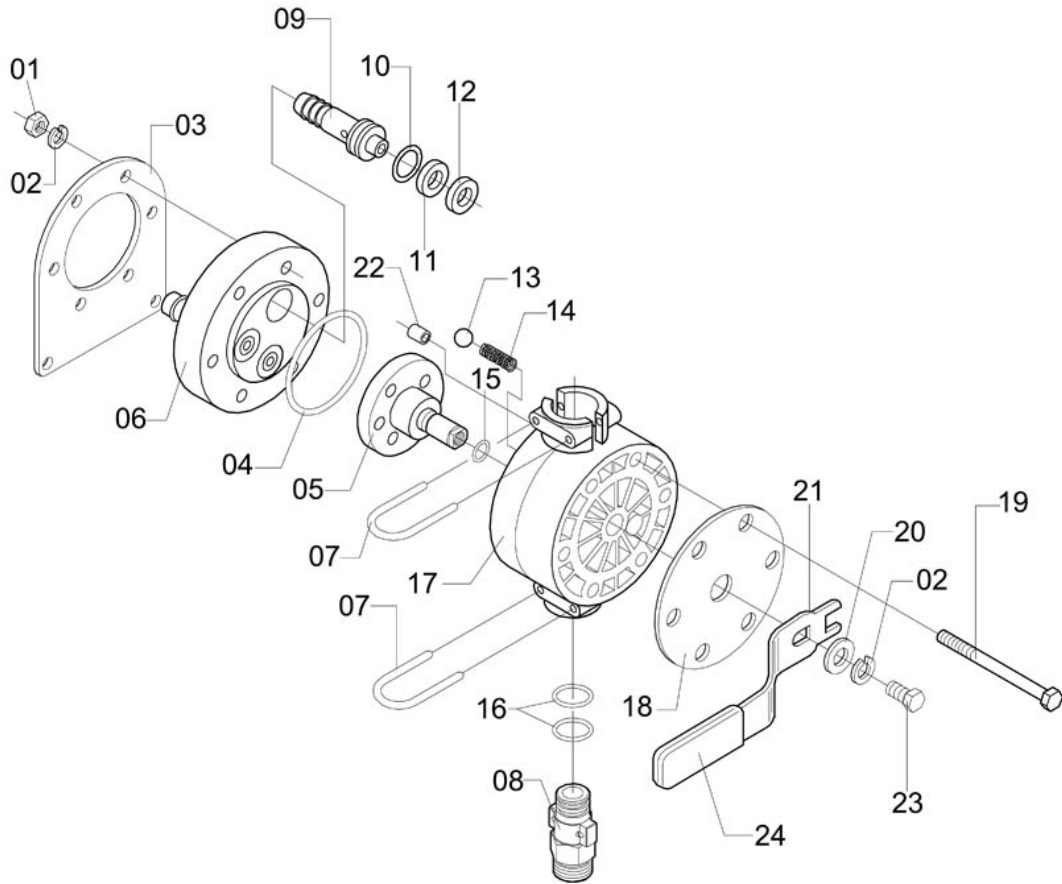
DRIVE TRANSMISSION AND COMPLEMENTS



TMT-35

Item	CODE	DESCRIPTION	Qty.	Item	CODE	DESCRIPTION	Qty.
00	142422	Drive transmission and complements	1	26	728105	Trapeze belt HY-T3V-0600	3
01	011643	O-ring ORI-129	1				
02	011692	Bolt 7/16" - 20 UNF x 2.3/4"	1				
03	015305	Square key 5/16" x 30	1				
04	018713	Grooved hub with pins	1				
05	108787	Nut DODI-LOC ø 1/2" - 13 UNC	1				
06	128173	PTO shaft 500	1				
07	168955	Bearing no. 25	1				
08	148619	Spacer	1				
09	155853	Pulley 120-2A x 35	1				
10	201087	Disc ø 70	1				
11	201103	Coupling hub	1				
12	202853	Screw ø 3/16" UNC x 1/2"	2				
13	203067	Snap ring for shaft ø 35	1				
14	204537	Compression spring	1				
15	209395	Lock washer M10	4				
16	324624	Square key 5/16" x 4"	1				
17	425892	Spring seat ring	1				
18	427567	Flexible pin ø 5 x 32	1				
19	912709	Bolt ø 3/8" - 16 UNC x 1"	4				
20	520676	Lock washer M5	2				
21	881243	Flat washer 170 x 300 x 19	1				
22	912782	Hex. nut ø 7/16" - 20 UNF	1				
23	912998	Lock washer 7/16"	1				
24	937607	Bushing ø 17.6 x 16	8				
25	939140	Screw M6 x 16	8				

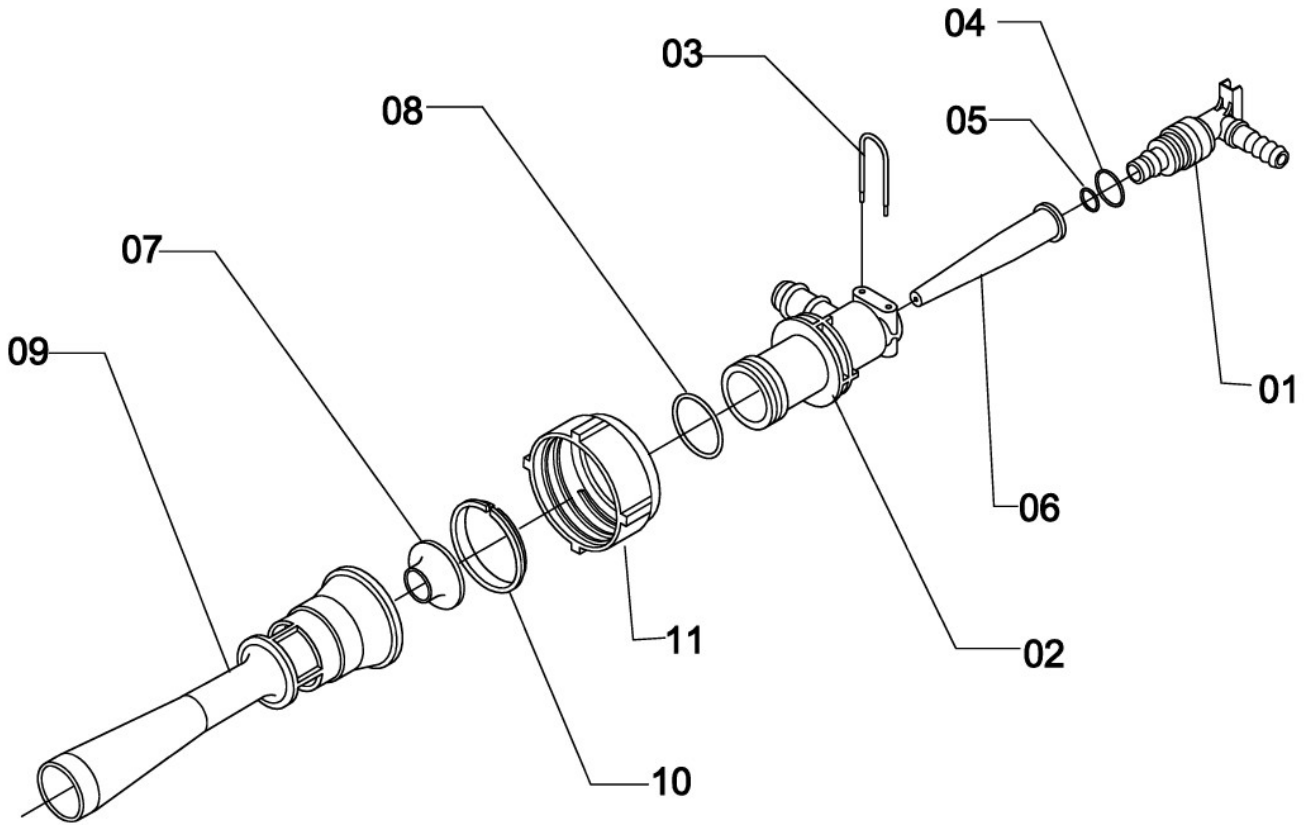
DIRECTIONAL VALVE 2 L/MIN.



CV-335

Item	CODE	DESCRIPTION	Qty.	Item	CODE	DESCRIPTION	Qty.
00	348904	Directional valve 2 L/Min.	1				
01	810770	Hex. nut M-8 x 1.25	6				
02	519736	Lock washer M8	7				
03	358382	Support	1				
04	358242	O-ring ORI - 142	1				
05	348805	Distributor	1				
06	333096	Valve cover	1				
07	348771	Lock	2				
08	170399	Male fitting \varnothing 3/4" BSP	1				
09	346130	Hose fitting \varnothing 1/4"	3				
10	706796	O-ring OR1-114	4				
11	414771	O-ring \varnothing 20 x 11 x 3.0	3				
12	348813	Packing ring	3				
13	358234	Ball \varnothing 1/2"	1				
14	411603	Compression spring	1				
15	416669	O-ring OR1-110	1				
16	358226	O-ring ORI - 116	4				
17	333039	Valve body	1				
18	348763	Plate	1				
19	358218	Hex. bolt M8 x 80 x 1.25	6				
20	013433	Flat washer	1				
21	348870	Lever	1				
22	555037	Bushing	1				
23	033696	Hex. head bolt M8 x 12 x 1.25	1				
24	945964	Lever handgrip	1				

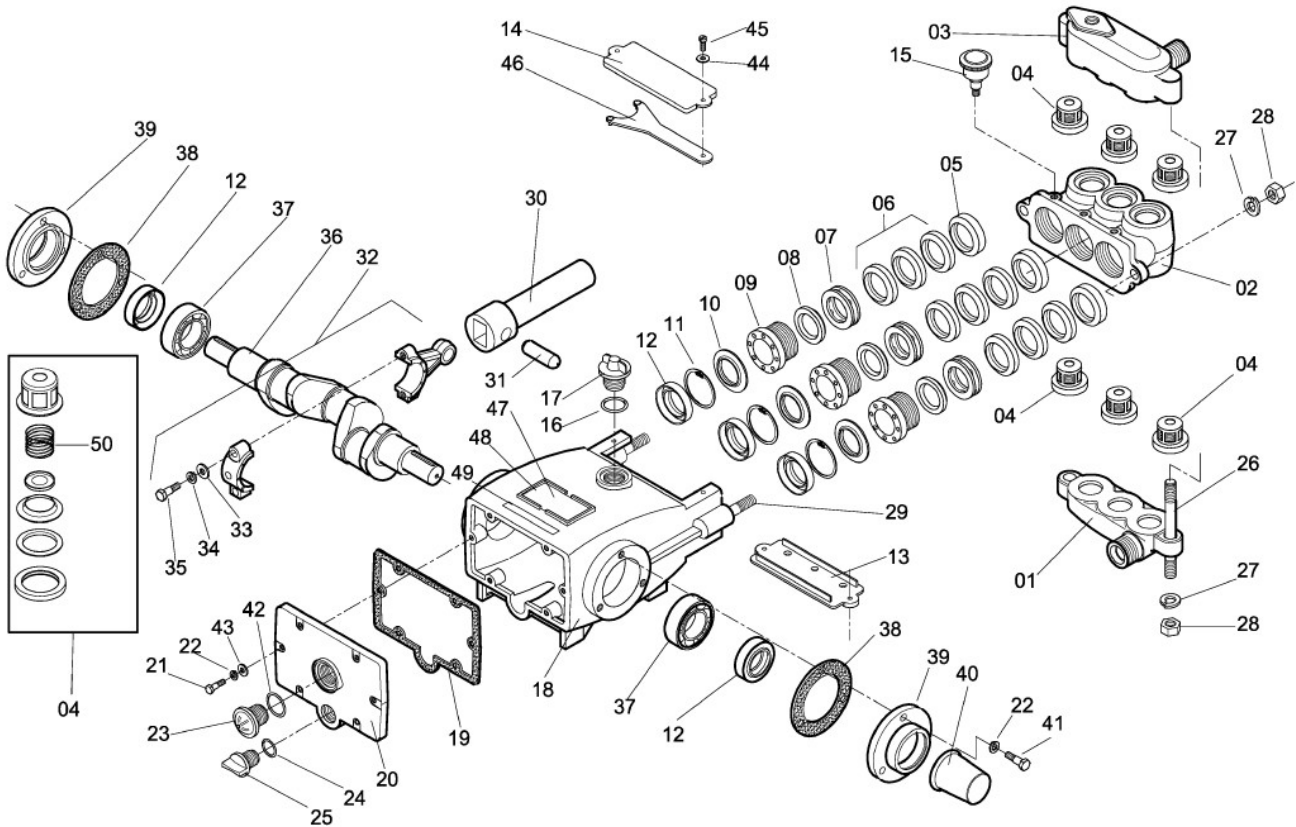
HYDRAULIC AGITATOR



MM-13

Item	CODE	DESCRIPTION	Qty.	Item	CODE	DESCRIPTION	Qty.
00	139584	Hydraulic agitator	1				
01	764365	Agitator elbow 1/2"	1				
02	764373	Agitator body	1				
03	348789	Lock 22	1				
04	832857	O-ring OR1-115	1				
05	909234	O-ring OR1-013	1				
06	764357	Disc holder	1				
07	088609	Full flow cell - 50 liters	1				
08	106948	O-ring OR1-130	1				
09	764381	Agitator venturi	1				
10	005918	Locking ring	1				
11	005900	Coupling nut	1				

JACTO PISTON PUMO FOR 42 L/MIN



B-39

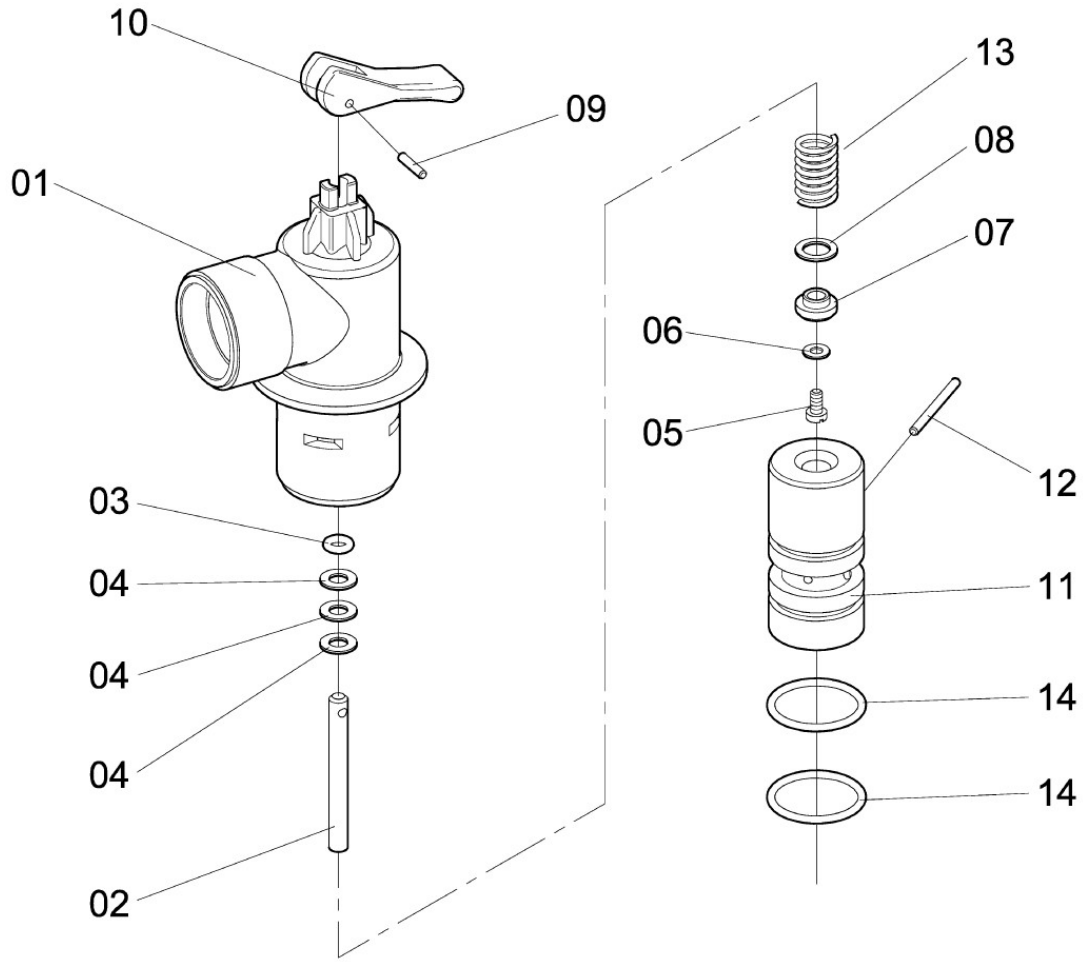
Item	CODE	DESCRIPTION	Qty.	Item	CODE	DESCRIPTION	Qty.
00	142455	Jacto piston pumo for 42 L/min	1	25	520775	Drain plug 1/4" BSP	1
01	328427	Suction cover	1	26	328492	Stud bolt 1/2" UNC x 138 mm	2
02	328468	Pump head	1	27	908582	Lock washer 1/2"	4
03	954016	Pumping cover	1	28	326280	Nut \varnothing 1/2" UNC	4
04	407825	Pump valve \varnothing 18	6	29	328484	Stud bolt \varnothing 1/2" - 13 UNC x 62	2
04A	508333	Valve packing	6	30	326983	Piston assembly	3
05	328815	Seat ring	3	31	328682	Connecting rod shaft	3
06	328807	Gasket \varnothing 30 x 39	9	32	328690	Connecting rod assembly	3
07	328823	Compression ring	3	33	013433	Flat washer	6
08	516443	Scraper ring	3	34	519736	Lock washer M8	6
09	328831	Gasket adjuster	3	35	941179	Hex bolt M- 8 x 35	6
10	328534	Deflector ring	3	36	328732	Crankshaft	1
11	328476	Snap ring for hole \varnothing 42	3	37	328872	Fixed bearing	2
12	516450	Retainer	5	38	944470	Packing 620 x 920 x 4	2
13	328609	Lower dust guard	1	39	944363	Flange	2
14	328278	Upper dust guard	1	40	328500	Crankshaft protector	1
15	328617	Grease nipple	3	41	829507	Hex. head bolt M6 x 16 x 1.00	6
16	012724	O-ring ORI-119	1	42	210146	O-ring OR1-117	1
17	328542	Plug \varnothing 3/4" BSP	1	43	707182	Flat washer 63 x 140 x 9.1	6
18	944462	Pump body	1	44	508515	Flat washer 41 x 127 x 12.1	4
19	328526	Packing 104 x 160 x 1.59	1	45	727669	Bolt M4 x 12	4
20	328583	Cover	1	46	520338	Gasket adjusting tool	1
21	810697	Bolt M6 x 1 x 20	6	47	165639	Identification plate	1
22	521666	Lock washer M6	12	48	109587	Round head rivet	2
23	521351	Oil sight 1/2" BSP with packing ring	1	49	959957	Sticker: "Keep oil on level"	1
24	325290	O-ring ORI-112	1	50	502732	Compression spring	6

JACTO PISTON PUMO FOR 42 L/MIN

Continuation

Item	CODE	DESCRIPTION	Qty.	Item	CODE	DESCRIPTION	Qty.
	516427	Packings set	1				
	516435	Pistons repair kit	1				

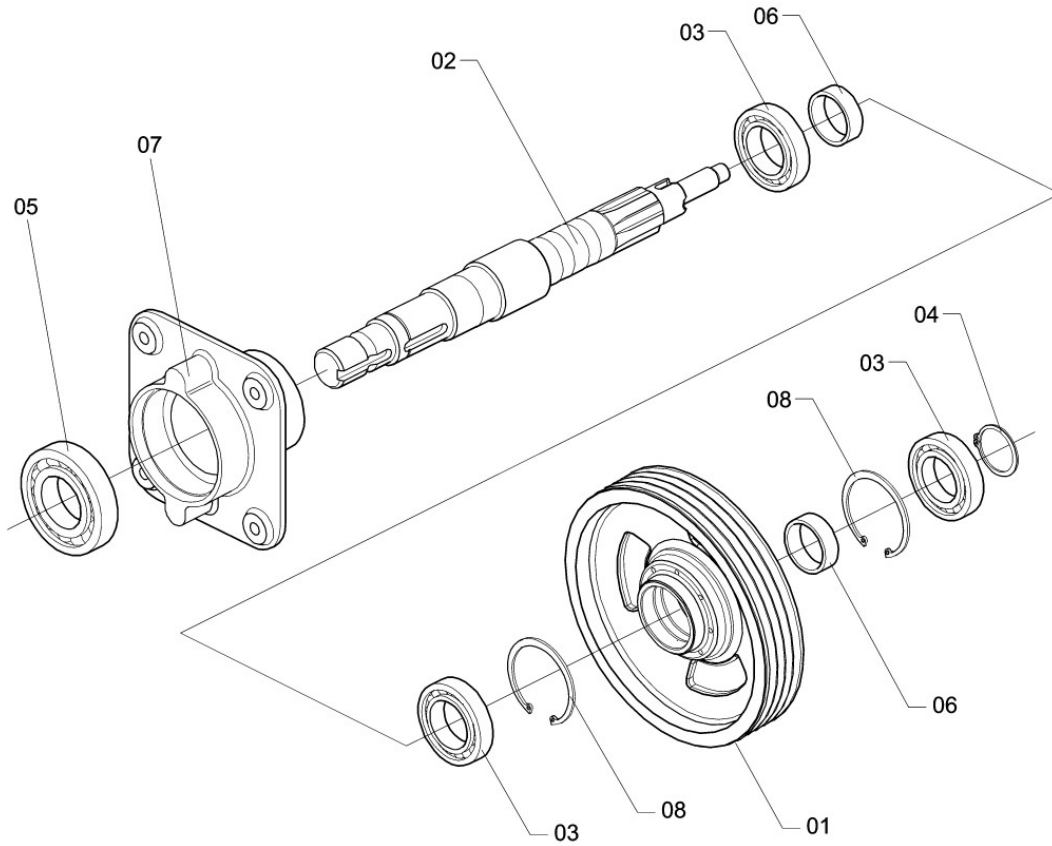
VALVE - CHEMICAL CONTAINER RINSE NOZZLE



CV-108

Item	CODE	DESCRIPTION	Qty.	Item	CODE	DESCRIPTION	Qty.
00	136879	Valve - chemical container rinse nozzle	1				
01	054403	Valve body	1				
02	049841	Spring guide pin	1				
03	050237	O-ring OR2-108	1				
04	050195	Flat washer 64 x 125 x 95 stainless steel	3				
05	050211	Screw M4 x 8	1				
06	050187	Flat washer 43 x 90 x 8	1				
07	048199	Seal	1				
08	050203	Flat washer 94 x 142 x 95	1				
09	049858	Lever pin	1				
10	054445	Rinse nozzle lever	1				
11	136853	Valve core	1				
12	136861	Lock pin	1				
13	044057	Compression spring 12.7	1				
14	011668	O-ring OR1-122	2				

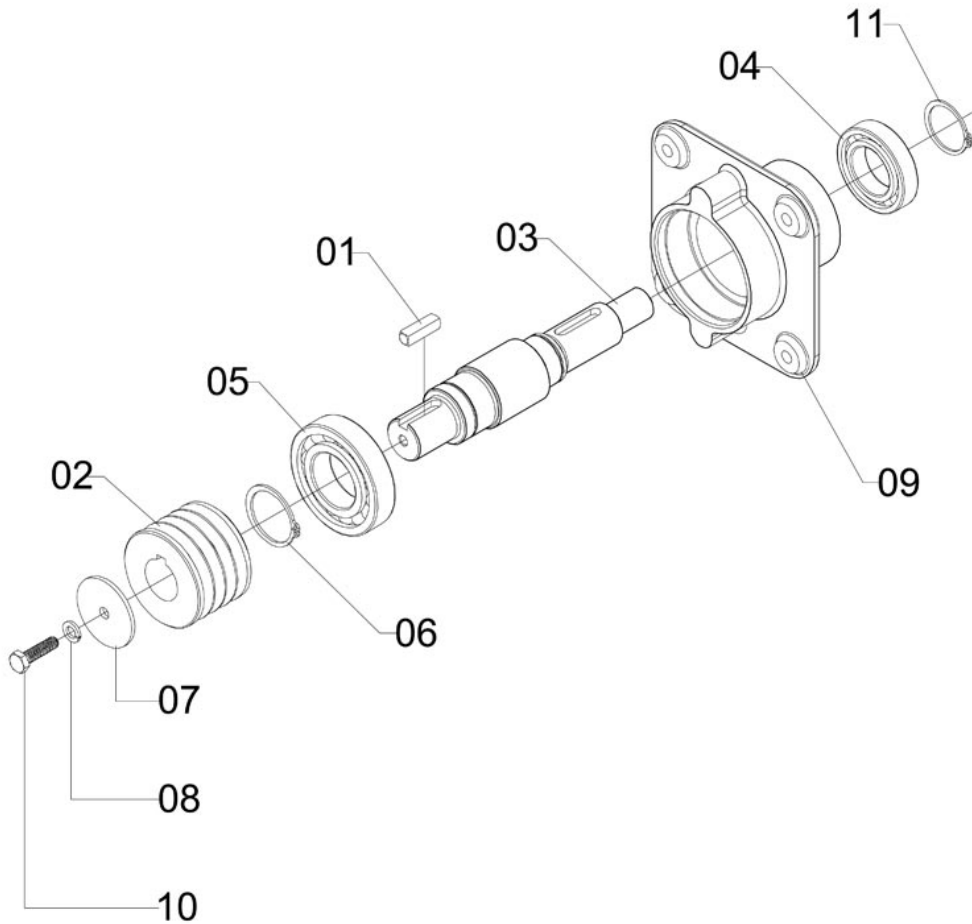
BEARING NO. 25



TMT-36

Item	CODE	DESCRIPTION	Qty.	Item	CODE	DESCRIPTION	Qty.
00	168955	Bearing no. 25	1				
01	168823	Pulley 260-3-3V	1				
02	140731	Shaft 395	1				
03	202549	Fixed bearing	3				
04	203067	Snap ring for shaft ø 35	1				
05	203737	Fixed bearing	1				
06	328021	Spacer ring ø 41 x 12.6/12.8	2				
07	734376	Engine bearing body	1				
08	910174	Snap ring for hole ø 62	2				

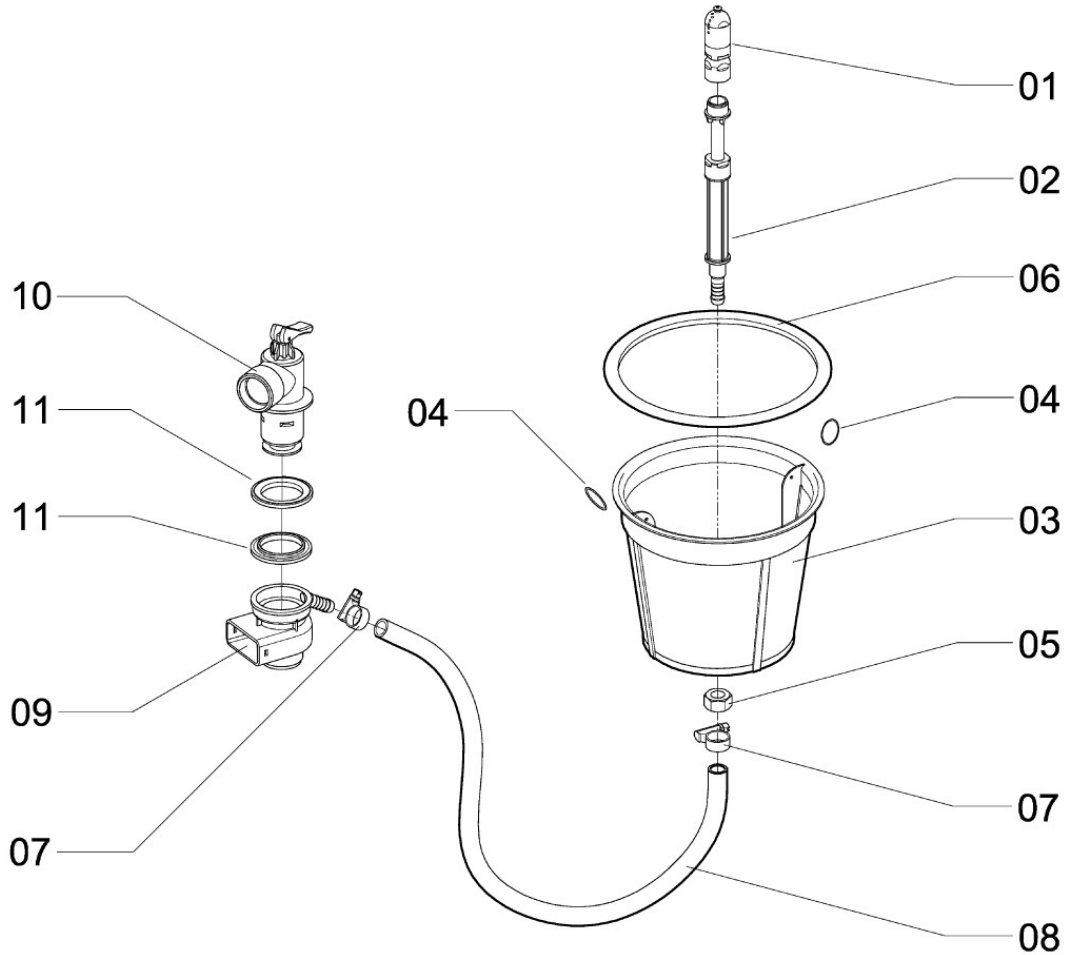
BEARING BLOCK NO. 22



TMV-42

Item	CODE	DESCRIPTION	Qty.	Item	CODE	DESCRIPTION	Qty.
00	084103	Bearing block no. 22	1				
01	015305	Square key 5/16" x 30	1				
02	083436	Pulley 70-3-3V	1				
03	083444	Shaft 221	1				
04	202549	Fixed bearing	1				
05	203737	Fixed bearing	1				
06	209569	Snap ring for shaft ø 50	1				
07	507665	Flat washer 82 x 506 x 30	1				
08	519736	Lock washer M8	1				
09	734376	Engine bearing body	1				
10	810705	Bolt M-8 x 30 x 1,25	1				
11	910166	Snap ring for shaft	1				

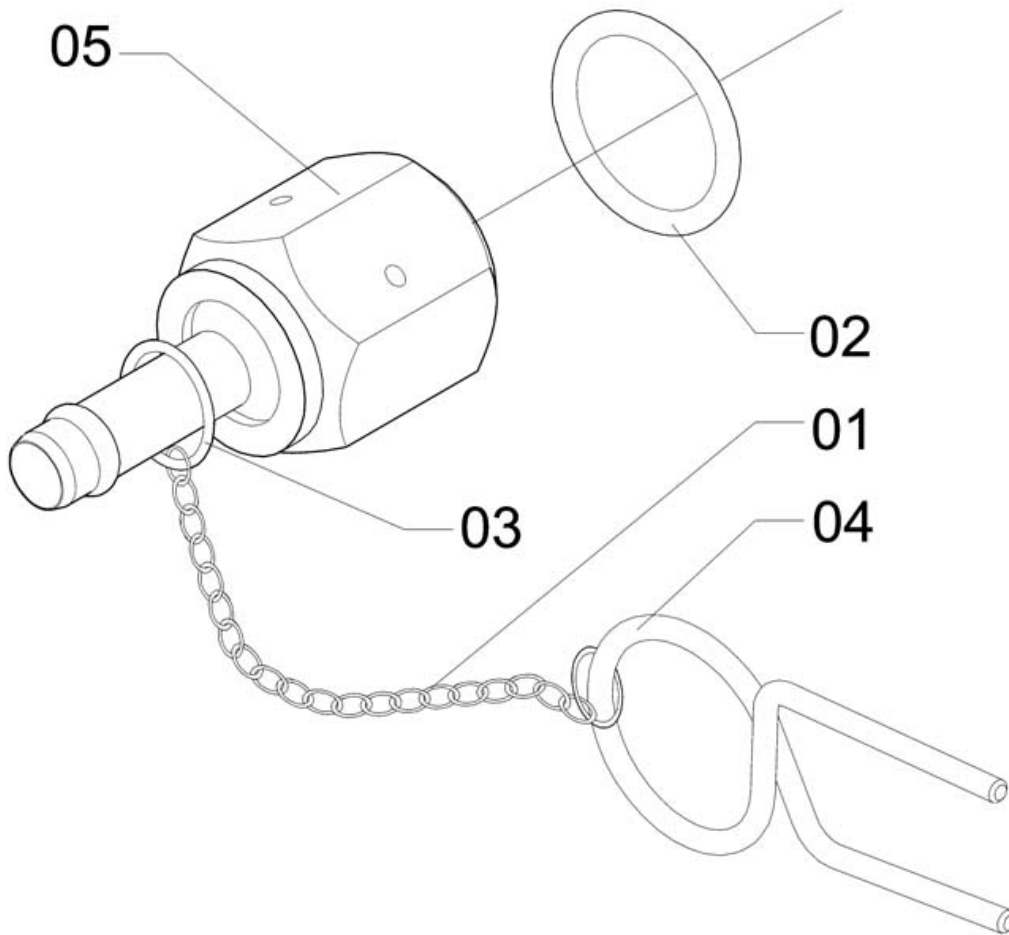
CHEMICAL CONTAINER RINSE NOZZLE KIT



KIT-29

Item	CODE	DESCRIPTION	Qty.	Item	CODE	DESCRIPTION	Qty.
00	136648	Chemical container rinse nozzle kit	1				
01	071944	Rinse nozzle	1				
02	088237	Chemical container rinse nozzle rod	1				
03	061788	Strainer 190-2T	1				
04	622969	Double ring \varnothing 22 x 26 x 3	2				
05	938498	Hex. nut M16 x 2.00	1				
06	516393	Strainer packing ring	1				
07	107664	Clamp D14-22 - stainless steel	2				
08	071886	Hose 12.7 (1/2") x 600	1				
09	054411	Valve fastener	1				
10	136879	Valve - chemical container rinse nozzle	1				
11	088245	Packing ring	2				

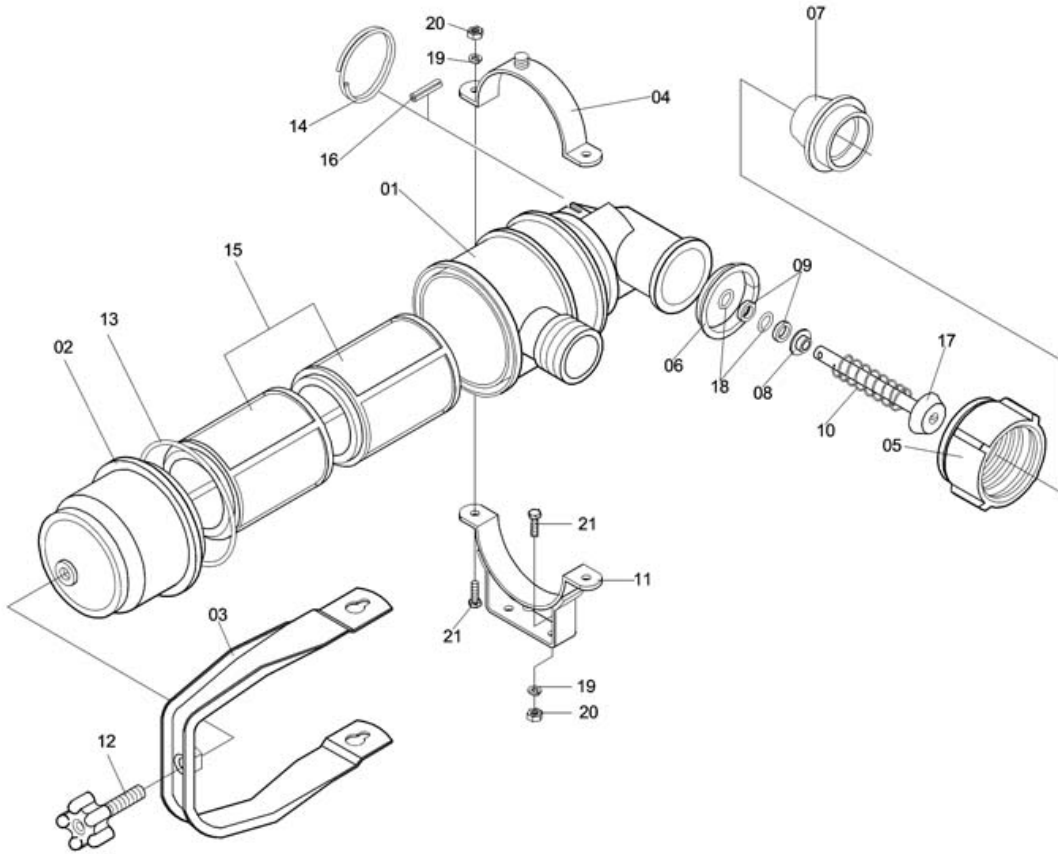
QUICK FITTING 1/2"



CXA-233

Item	CODE	DESCRIPTION	Qty.	Item	CODE	DESCRIPTION	Qty.
00	595827	Quick fitting 1/2"	1				
01	437822	Chain 120 mm	1				
02	440982	O-ring OR1-117	1				
03	622969	Double ring ø 22 x 26 x 3	2				
04	636399	Quick fitting clamp	1				
05	636407	Spray gun quick fitting 1/2"	1				

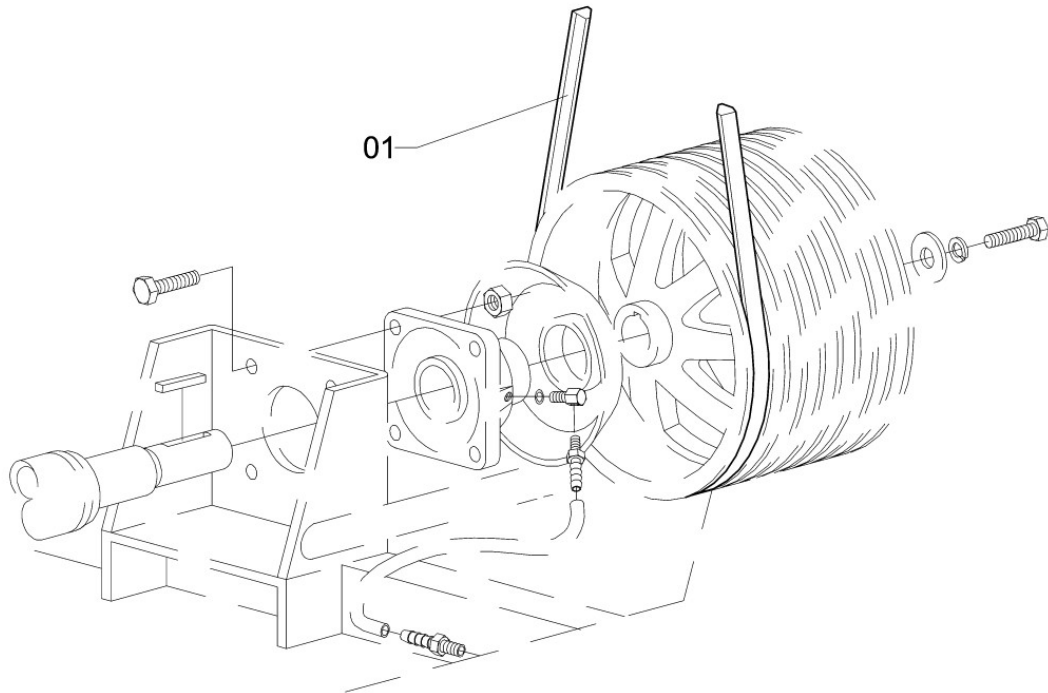
FILTER FVS-100



F-38

Item	CODE	DESCRIPTION	Qty.	Item	CODE	DESCRIPTION	Qty.
00	005777	Filter FVS-100	1				
01	005785	Filter body	1				
02	005793	Filter cover	1				
03	005827	Filter handle	1				
04	005850	Half-strap	1				
05	005900	Coupling nut filter	1				
06	005918	Locking ring	1				
07	005934	Valve seat	1				
08	005967	Spring seat	1				
09	005975	Spacer washer	2				
10	006148	Compression spring	1				
11	010967	Half-strap with support	1				
12	011734	Bolt with knob	1				
13	012138	O-ring ORI - 241	1				
14	012146	Ring \varnothing 40	1				
15	012492	Double filtering element	1				
16	105288	Flexible pin \varnothing 4 x 20 (heavy)	1				
17	110817	Valve	1				
18	416669	O-ring OR1-110	2				
19	521666	Lock washer M6	4				
20	730309	Hex. nut M6 x 1.00 - Steel	4				
21	810697	Bolt M6 x 1 x 20	4				

TRAPEZE BELT HY-T3V-0600

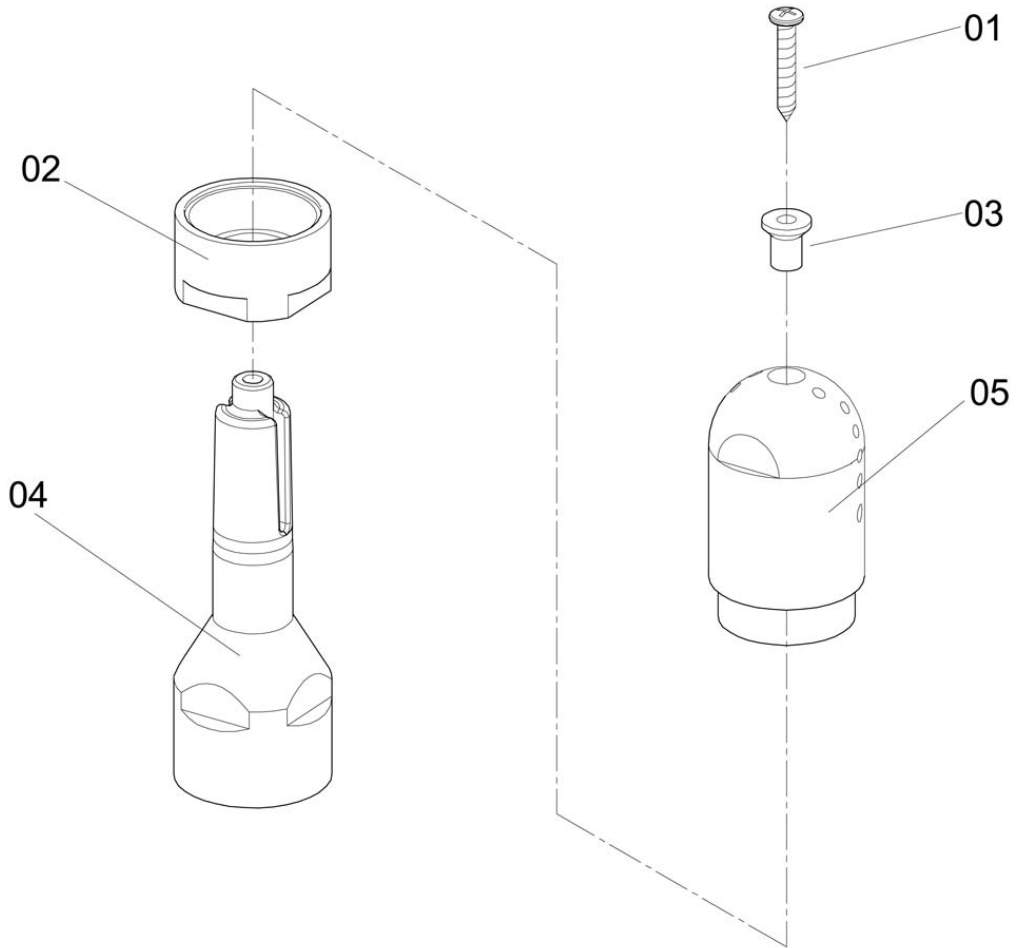


TMT-98

Item	CODE	DESCRIPTION	Qty.
00	728105	Trapeze belt HY-T3V-0600	1
01	728105	Trapezoidal belt HY-T 3V-0600	9

Item	CODE	DESCRIPTION	Qty.

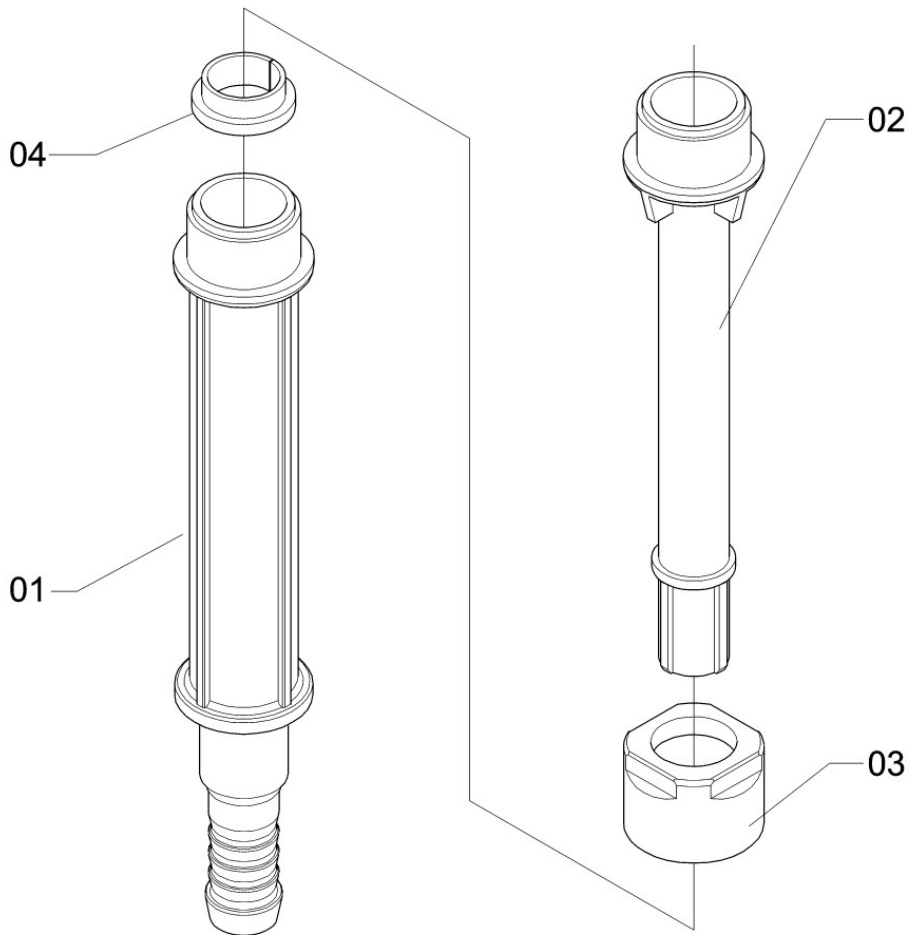
RINSE NOZZLE



KIT-75

Item	CODE	DESCRIPTION	Qty.	Item	CODE	DESCRIPTION	Qty.
00	071944	Rinse nozzle	1				
01	483628	Bolt 2.9 x 22	1				
02	059055	Nozzle nut	1				
03	061119	Bushing	1				
04	058909	Nozzle core	1				
05	060426	Nozzle body	1				

CHEMICAL CONTAINER RINSE NOZZLE ROD



KIT-76

Item	CODE	DESCRIPTION	Qty.
00	088237	Chemical container rinse nozzle rod	1
01	058834	Nozzle rod	1
02	083907	Rod extension	1
03	087882	Extension nut	1
04	134221	Lock ring	1

Item	CODE	DESCRIPTION	Qty.