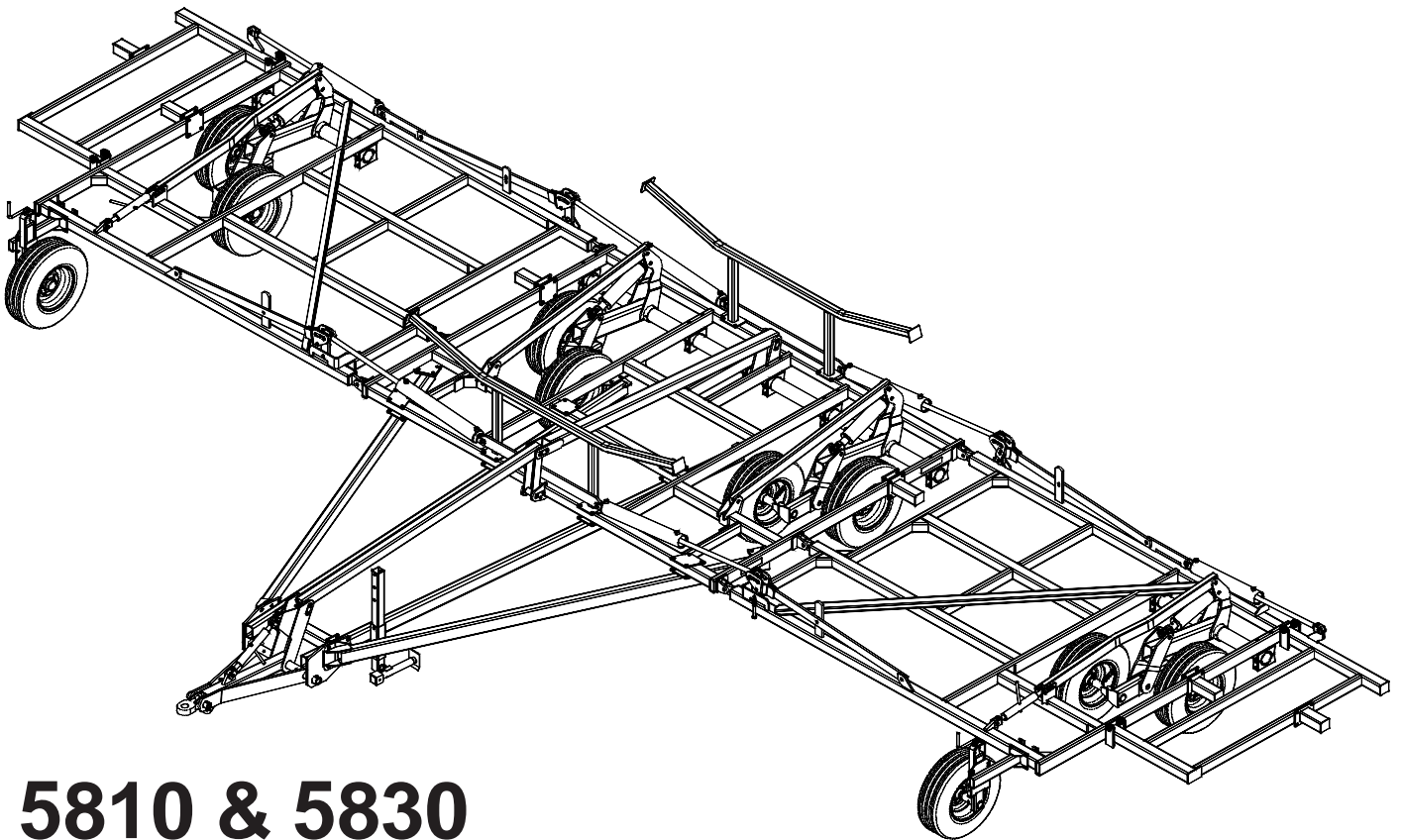




PARTS MANUAL



5810 & 5830 LEVEL LIFT HITCH CHISEL PLOW

Printed in USA (74243) 2/11

 **WIL-RICH**

PO Box 1030
Wahpeton, ND 58074
PH (701) 642-2621
Fax (701) 642-3372

Orientation

Any reference to left (L) or right (R) sides or components is to be understood as being viewed from behind the implement and looking forward.

Serial Number Break

Every implement has a serial number located on the frame. These serial numbers are consecutively assigned to the implements as they are manufactured. To aid in part ordering, we reference to the serial number at the point the change occurred to provide an accurate means of determining the proper parts. See contents graphic, page 3, for location.

Modifications

It is the policy of WIL-RICH Operations to improve its products whenever possible and practical to do so. We reserve the right to make changes, improvements, and modifications at any time without incurring the obligation to make such changes, improvements and modifications on any equipment sold previously.

Abbreviations

ACT	Actual
ASSY	Assembly
BLD	Blade
BRKT	Bracket
CTR	Center
CP	Cup Point
(FF)	Female Female
GR	Grade of Bolt
HD	Heavy Duty
HDWE	Hardware
LH	Left Hand
(MF)	Male Female
MF	Main Frame
MTG	Mounting
NC	National Course Thread
NF	National Fine Thread
NPT	National Pipe Thread
RH	Right Hand
SS	Screw Stop
SST	Stainless Steel
TA	Tandem
TBP	Top Bypass
W/	With
W/O	Without
R/B	Replaced By

Standard Nuts and Lock Washers

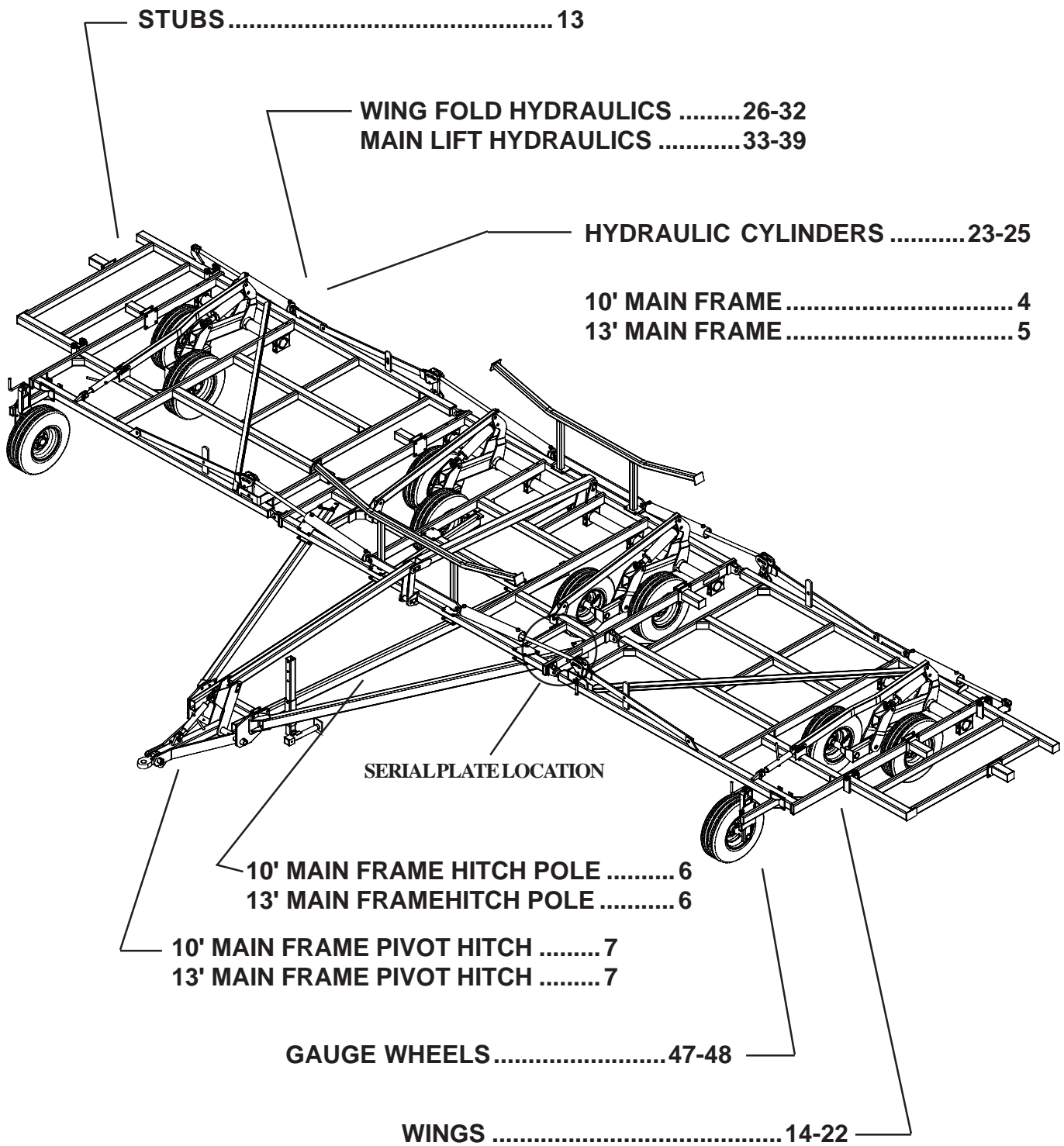
88172	1/4NC Nut	88262	1/4 Lock Washer
88103	3/8NC Nut	88362	3/8 Lock Washer
88104	1/2NC Nut	88303	1/2 Lock Washer
88126	5/8NC Nut	88129	5/8 Lock Washer
88110	3/4NC Nut	88130	3/4 Lock Washer
88371	7/8NC Nut	88341	7/8 Lock Washer

Note: Standard nuts and lock washers are not called out. Anything other than standard will be called out.

CONTENTS

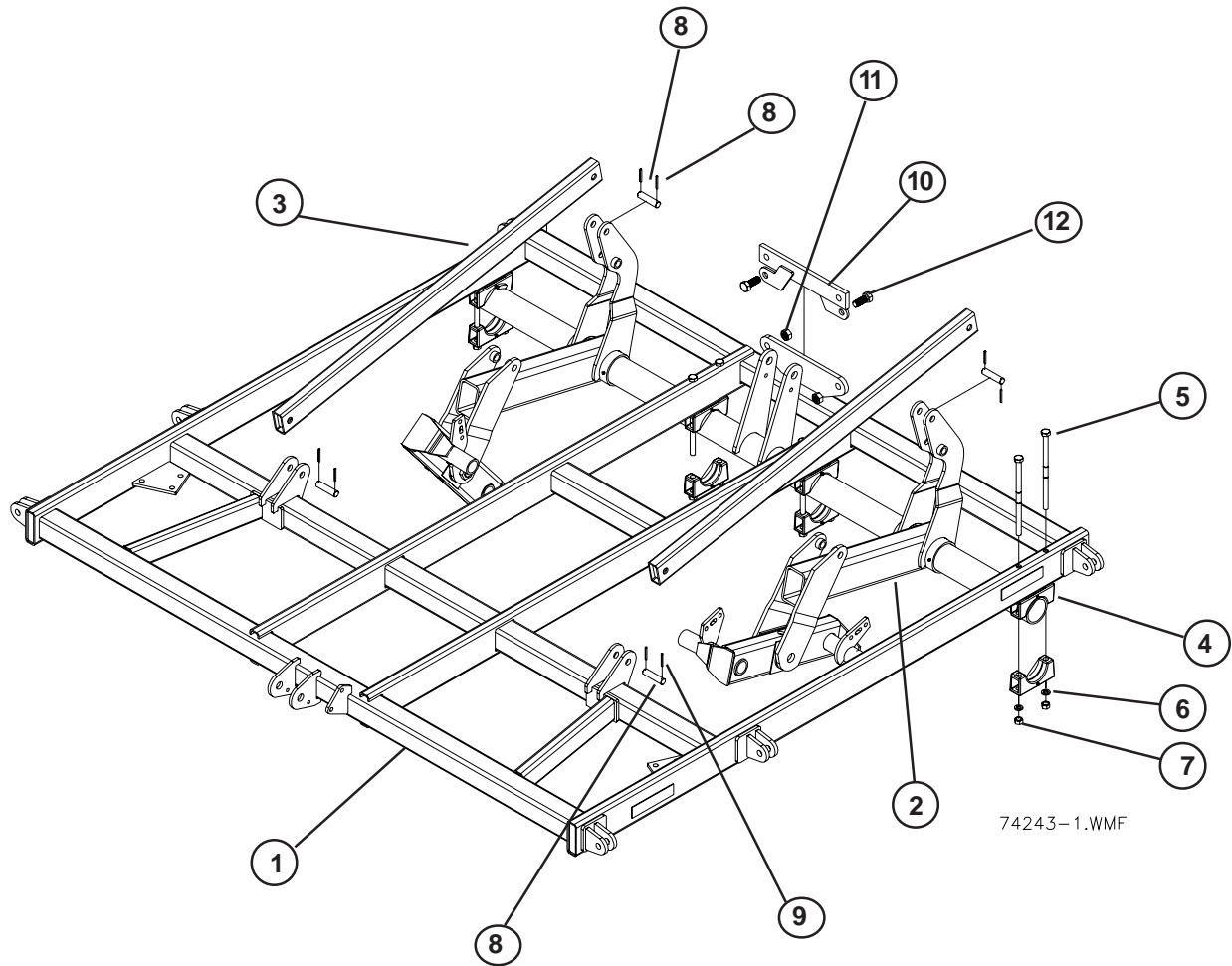
10' MAIN FRAME	4
13' MAIN FRAME	5
HITCH POLE & PIVOT HITCH	6-7
FRONT HINGE TUBE -13' MF	8
10' MAIN FRAME WING REST	9
13' MAIN FRAME WING REST	10
JACK STAND & UTILITY POLE	11
MAIN FRAME & WING TANDEM AXLE	12
1' & 2' STUB ATTACHEMENTS	13
1' STUB ATTACHMENT (2X4).....	13
4' WING	14
6' WING	15-16
9' WING	17-18
12' WING	19-20
3' OUTER WING	21-22
WING FOLD CYLINDERS	23
MAIN LIFT CYLINDERS - F & F1 SERIES ...	24-25
5810-10' MN FRM WING FOLD HYDS	26-27
5830-13' MN FRM 6FT WING FOLD HYDS ..	28-29
5830-13' MN FRM 9&12 FT WNG FLD HYD ..	30-31
5830-13' MN FRM 9&12FT WNG FLD HYD	32
5810-10' MN FRM 9&12FT WNG FLD HYD ...	33-34
5810-10' MAIN FRAME MAIN LIFT HYDS	35
5810-10' MAIN FRAME MAIN LIFT HYDS	36
5830-13' MAIN FRAME MAIN LIFT HYDS	37
5830-13' MAIN FRAME MAIN LIFT HYDS	38
5830-13' MAIN FRAME MAIN LIFT HYDS	39
1000 LB CP SHANK ASSY - PRE 2007	40
1000 LB CP SHANK ASSY - 2007 & UP	41
650 LB SHANK ASSEMBLY	42-43
6 BOLT HUB - 2" SPINDLE ASSY	44
TIRES ASSY, TIRES, RIMS, VALVES	45
SPIKES	46
RIGID GAUGE WHEEL	47
CASTERING GAUGE WHEEL	48
AUXILIARY HITCH	49
HEAVY DUTY REAR HITCH	50
SINGLE POINT DEPTH CONTROL	51-52
LIGHTS	53
MUD SCRAPERS	54
DECALS	55
WARRANTY	56

CONTENTS



PARTS INFORMATION IS PRESENTED TO IDENTIFY COMPONENTS AND MAY NOT REPRESENT ACTUAL ASSEMBLY INFORMATION. REFER TO ASSEMBLY MANUALS FOR ASSEMBLY INFORMATION. PARTS MAY BE VISUALLY DIFFERENT FROM THE GRAPHIC REPRESENTATIONS IN THIS MANUAL.

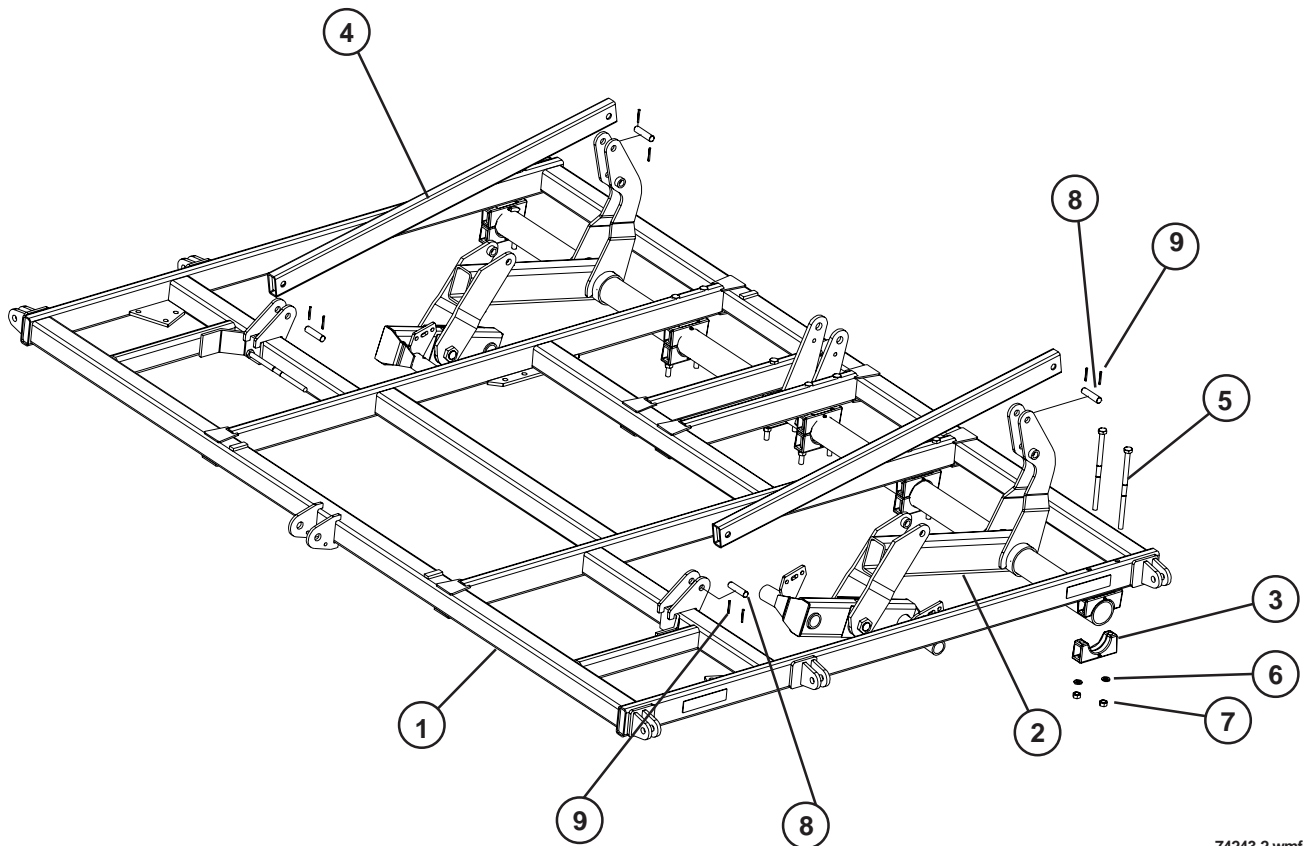
10' MAIN FRAME



ITEM	PART NO.	DESCRIPTION
1	235150	10FT 5810 CP MAIN FRAME - SERIAL # 456853 & UP
	233860	10FT 5810 CP MAIN FRAME - SERIAL # 456852 & DOWN
2	221928	10FT 5810 CP MAIN AXLE ASSY
3	233565	MAIN MAST TUBE
4	34132	AXLE CLAMP ASSEMBLY
5	89356	3/4NCx14 GR5 BOLT
	89165	3/4NCx13 GR5 BOLT (PRE 2007)
6	89130	WSHR HLK 3/4ID(13/16ACT) Z
7	88110	NUT HEX 3/4NC
8	221714	HEADLESS PIN(2) 1x3-7/32
9	42484	1/4 x 2-1/4 ROLL PIN
10	233506	4FT 5800 LIFT ANCHOR (USED WITH 4FT WING ONLY)
11	89075	NUT TOP LOCK 1NC
12	88393	BOLT HEX 1X2-1/2 NC

FRAMES ARE SUPPLIED WITH MAIN AXLES ASSEMBLED IN FRAME. SEE PAGE 12 FOR ADDITIONAL AXLE ASSEMBLY AND PARTS INFORMATION

13' MAIN FRAME



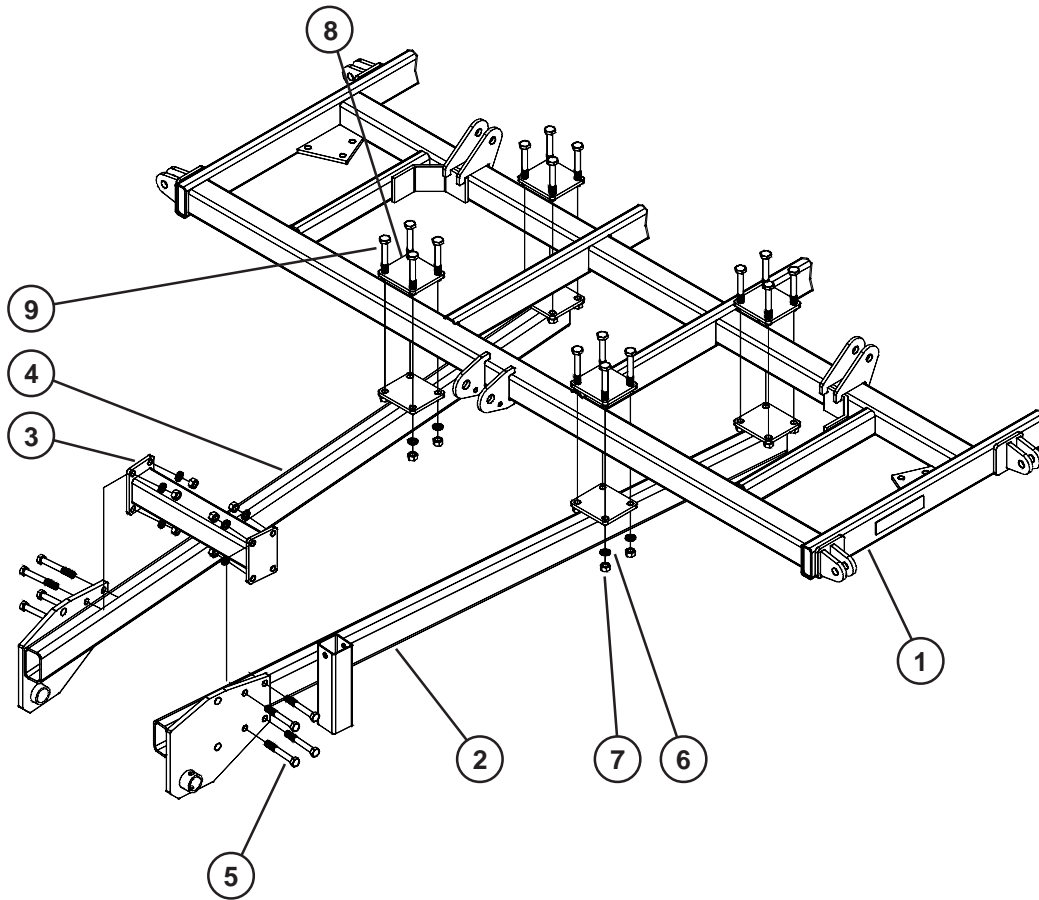
74243-2.wmf

ITEM PART NO. DESCRIPTION

1	233528	13FT CHISEL PLOW FRAME - SERIAL # 456853 & UP
	221908	13FT CHISEL PLOW FRAME - SERIAL #456852 & DOWN
2	222900	13FT CP MAIN AXLE ASSY
3	34132	AXLE CLAMP ASSEMBLY
4	233315	MAIN MAST TUBE
5	89356	3/4NCx14 GR5 BOLT
	89165	3/4NCx13 GR5 BOLT (PRE 2007)
6	88130	WSHR HLK 3/4ID(13/16ACT)
7	88110	NUT HEX 3/4NC
8	221714	HEADLESS PIN(2) 1x3-7/32
9	42484	1/4 x 2-1/4 ROLL PIN

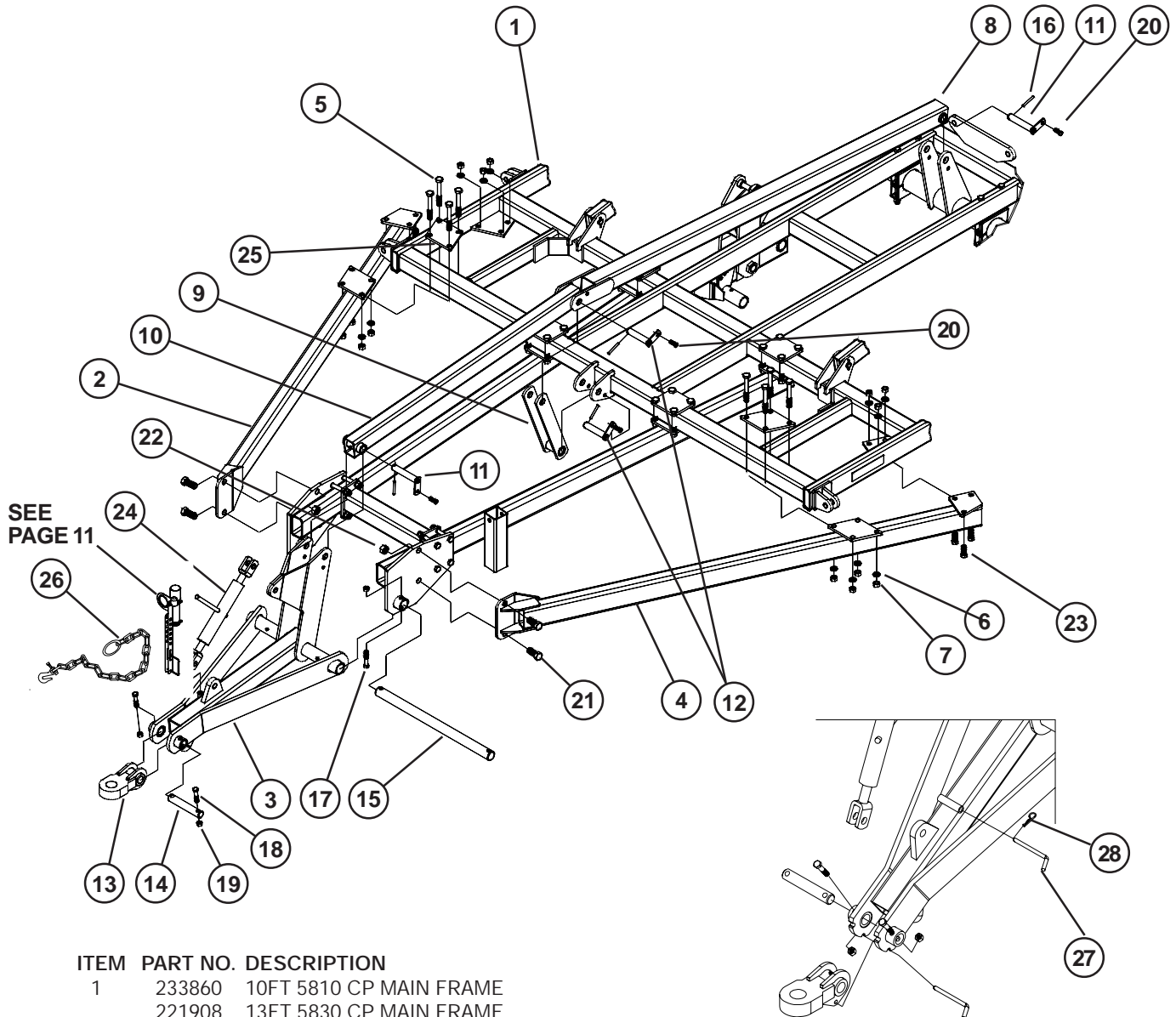
FRAMES ARE SUPPLIED WITH MAIN AXLES ASSEMBLED IN FRAME. SEE PAGE 12 FOR ADDITIONAL AXLE ASSEMBLY AND PARTS INFORMATION

PIVOT HITCH



ITEM	PART NO.	DESCRIPTION
1	233860	10FT 5810 CP MAIN FRAME
	221908	13FT 5830 CP MAIN FRAME
2	233858	10FT 5810 LEFT POLE (108" REF)
	221919	13FT 5830 LEFT POLE (180" REF)
3	221918	HITCH TIE TUBE
4	233859	10FT 5810 RIGHT POLE (108" REF)
	221914	13FT 5830 RIGHT POLE (180" REF)
5	88579	3/4NCx5-1/2 GR5 BOLT
6	88130	WSHR HLK 3/4ID(13/16ACT)
7	88110	NUT HEX 3/4NC
8	233234	MOUNT PLATE PAINTED
9	88293	3/4NCx6 GR5 BOLT

PIVOT HITCH (Continued)



ITEM PART NO. DESCRIPTION

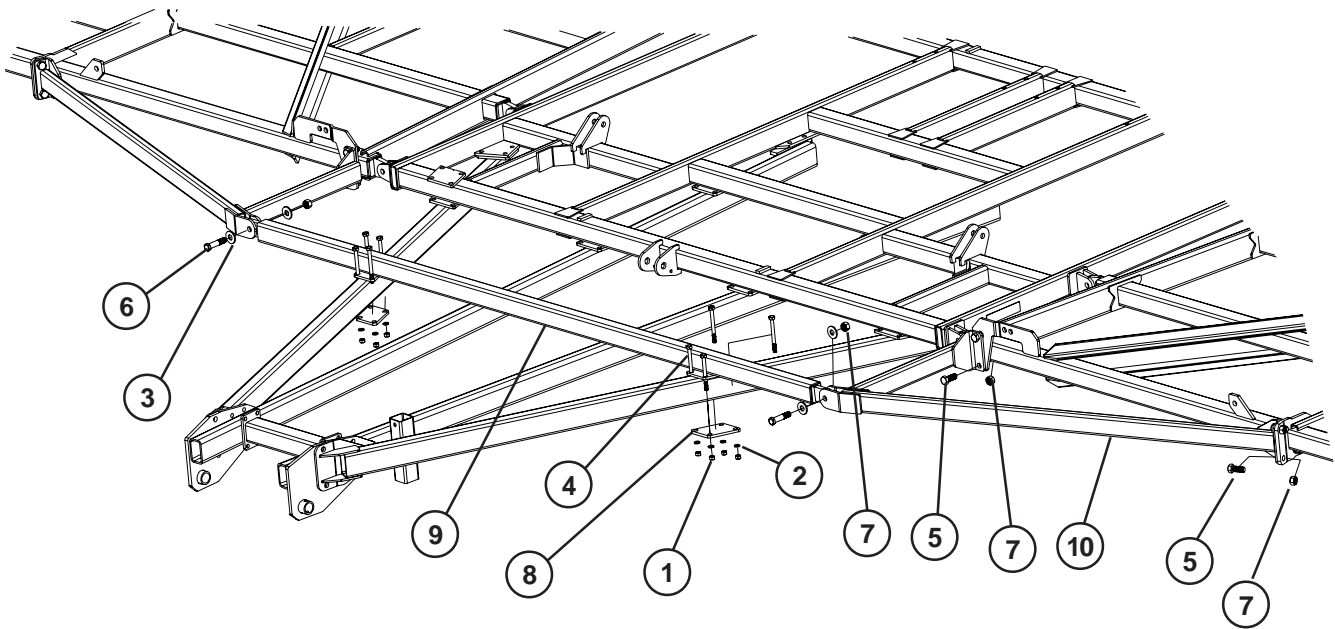
1	233860	10FT 5810 CP MAIN FRAME
	221908	13FT 5830 CP MAIN FRAME
2	233856	10FT 5810 BRACE - RIGHT (99" REF)
	221923	13FT 5830 BRACE - RIGHT (144" REF)
3	221931	CHISEL PLOW PIVOT HITCH
4	233854	10FT 5810 BRACE - LEFT (99" REF)
	221994	13FT 5830 BRACE - LEFT (144" REF)
5	88293	3/4NCx6 GR5 BOLT
6	88130	WSHR HLK 3/4ID
7	88110	NUT HEX 3/4NC
8	233318	REAR CENTER MAST TUBE
9	233323	FRONT MAST LEVER
10	233868	5810 FRONT LIFT TUBE - 62"
	233326	5830 FRONT LIFT TUBE - 103"
11	233356	LINKAGE PIN 1-1/4x6-3/16
12	233357	LINKAGE PIN 1-1/4x5-3/16
13	222189	CAT HITCH
	234830	CLEVIS HITCH

AVAILABLE ON 2010 & UP ONLY

ITEM PART NO. DESCRIPTION

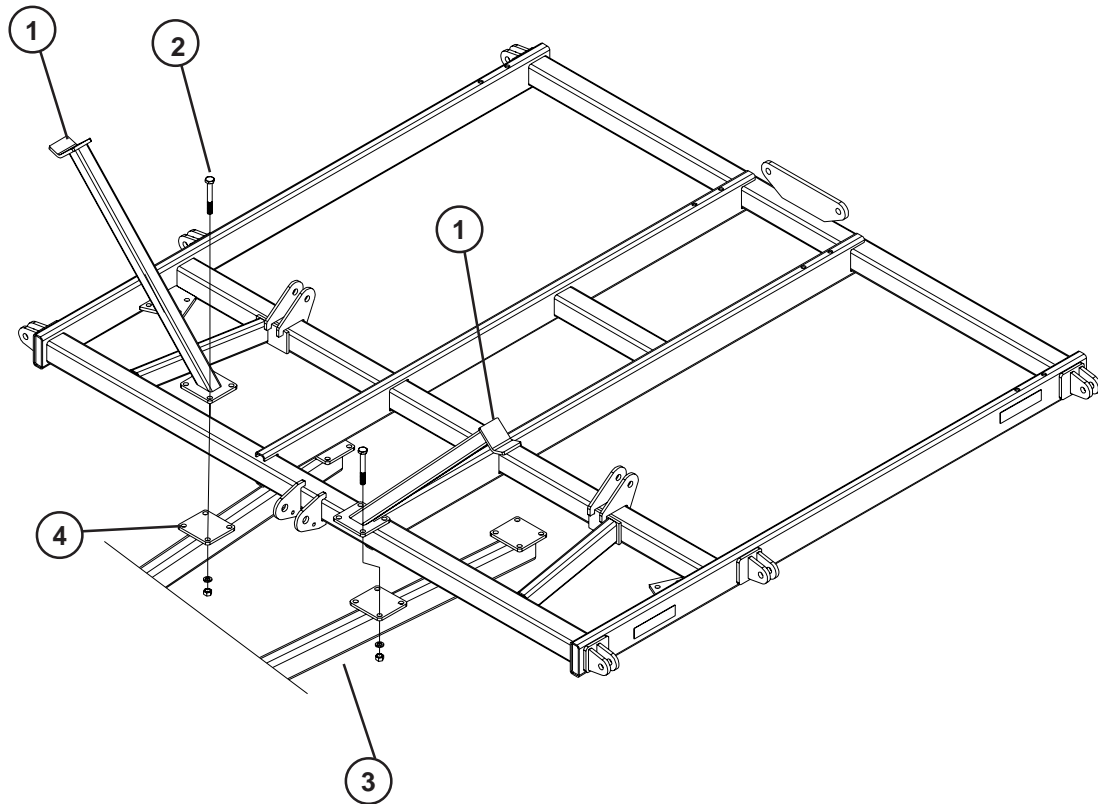
14	222187	HEADLESS PIN(2) 1-1/2x6-9/16
15	222047	PIVOT SHAFT
16	88771	PIN ROLL 3/8DIAx3
17	89122	5/8NCx3-1/2 GR8 BOLT
18	88408	5/8NCx3 GR5 BOLT
19	88369	NUT 2PSLK 5/8NC
20	88475	1/2NCx1-1/2 GR5 BOLT
21	88393	1NCx2-1/2 GR5 BOLT
22	89075	NUT NYLON LOCK 1NC
23	88290	3/4NCx2 GR8 BOLT
24	33104	GAUGE WHEEL JACK
25	233233	MOUNT PLATE PAINTED
26	24459	SAFETY CHAIN
27	233515	1/2 X 6-1/2 BENT PIN (ZP)
28	23039	PIN-HAIR .14 X 2.69 ZP

FRONT HINGE TUBE - 13' MAIN FRAME



ITEM	PART NO.	DESCRIPTION
1	88126	NUT HEX 5/8X11NC 5Z
2	88129	WSHR HLK 5/8ID(11/16ACT) Z
3	88196	WSHR FLAT 1(1-1/16X2-1/2ACT) Z
4	88383	BLT HEX 5/8-11NCX7 5Z
5	88393	BLT HEX 1-8HCX2-1/2 5Z
6	88580	BLT HEX 1-8NCX4-1/2 5Z
7	89075	NUT NYLON LOCK 1 NC
8	233471	CP 4TH HINGE PLATE-PAINTED
9	235758	5800 CP 4TH HINGE TUBE
10	235766	5800 CP 4TH HINGE - 12' WING

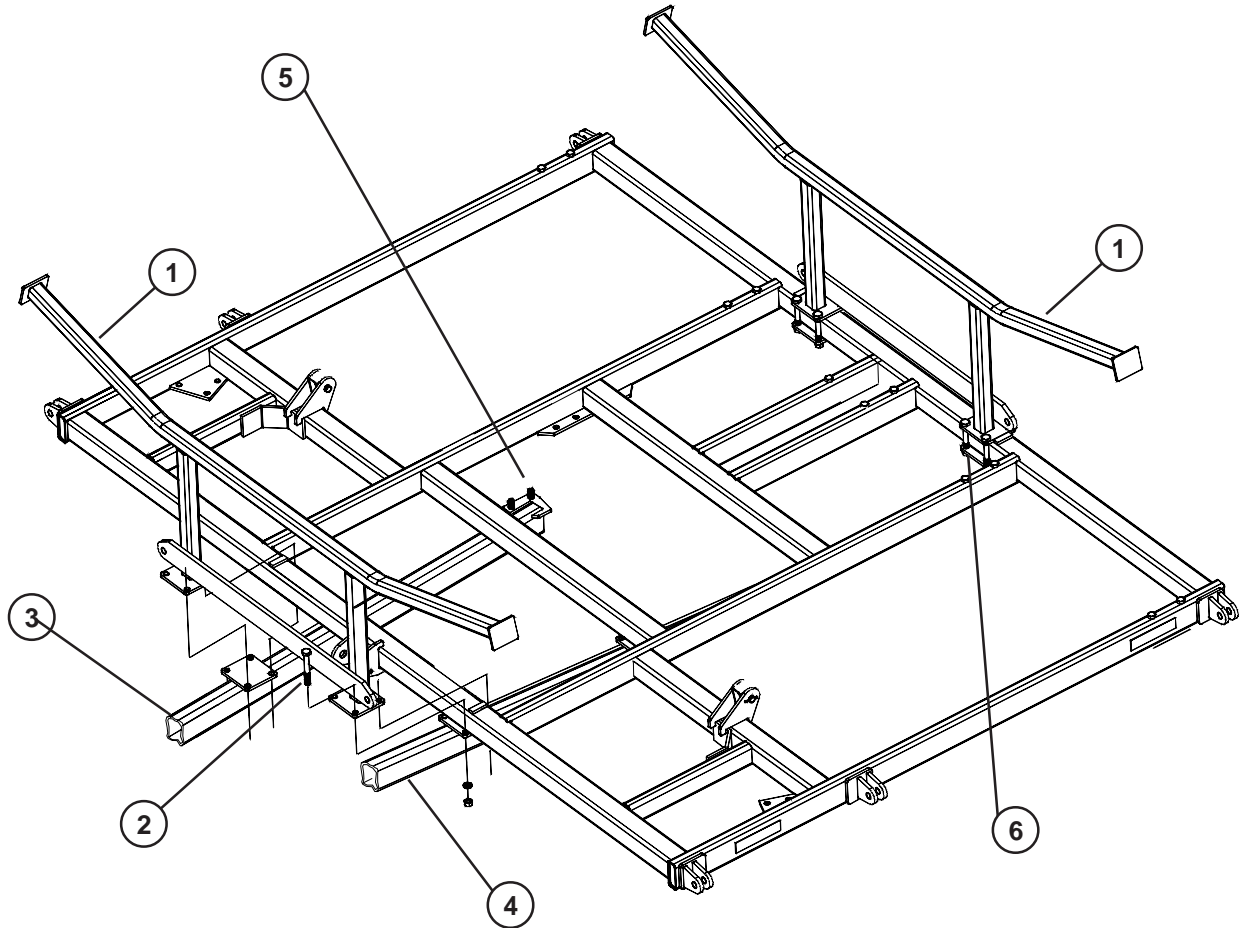
10' MAIN FRAME WING REST



ITEM	PART NO.	DESCRIPTION
1	233866	6FT 5810 WING REST
2	88293	3/4NCx6 GR5 BOLT
3	221994	OUTER POLE BRACE - LEFT
4	221923	OUTER POLE BRACE - RIGHT

NOTE:
10 FT MAIN FRAMES W/6FT WINGS - WING RESTS ARE MOUNTED ON THE FRONT OF MAIN FRAME ONLY. 4FT WINGS REQUIRE NO WING RESTS, THE 4FT WING HAS A REST BUILT INTO ITS HINGE.

13' MAIN FRAME WING REST

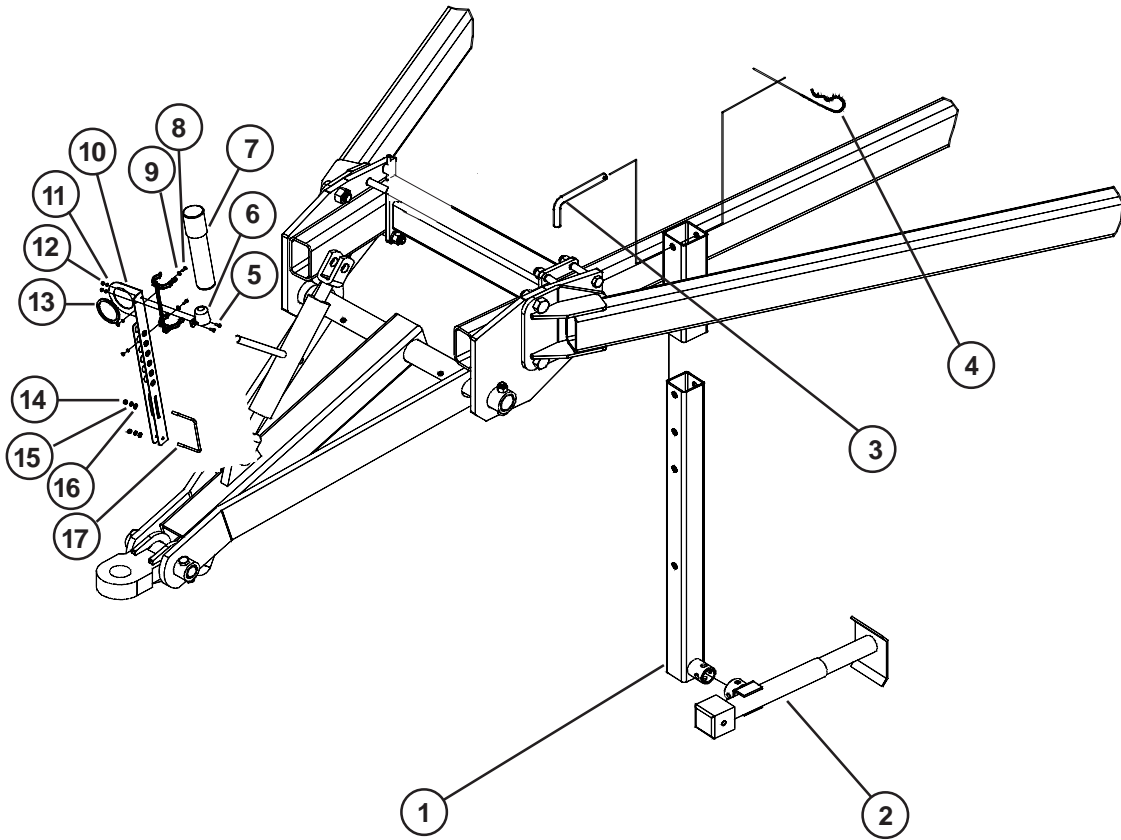


ITEM	PART NO.	DESCRIPTION
1	222046	WING REST
2	88293	3/4NCx6 GR5 BOLT
3	221914	RIGHT HITCH POLE
4	221919	LEFT HITCH POLE
5	88290	3/4NCx2 GR8 BOLT
6	233234	MOUNT PLATE PAINTED

NOTE:

13 FT MAIN FRAMES - 222046 WING REST IS MOUNTED IN THE FRONT AND REAR, AS SHOWN, WITH 9FT AND 12FT WINGS. 6FT WINGS REQUIRE BACK REST ON REAR OF IMPLEMENT ONLY.

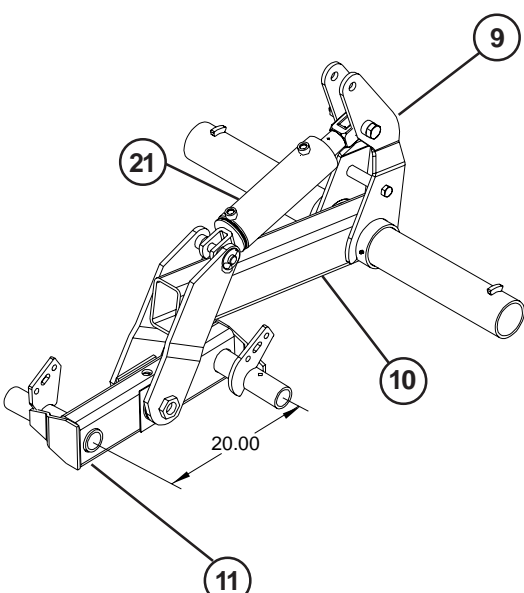
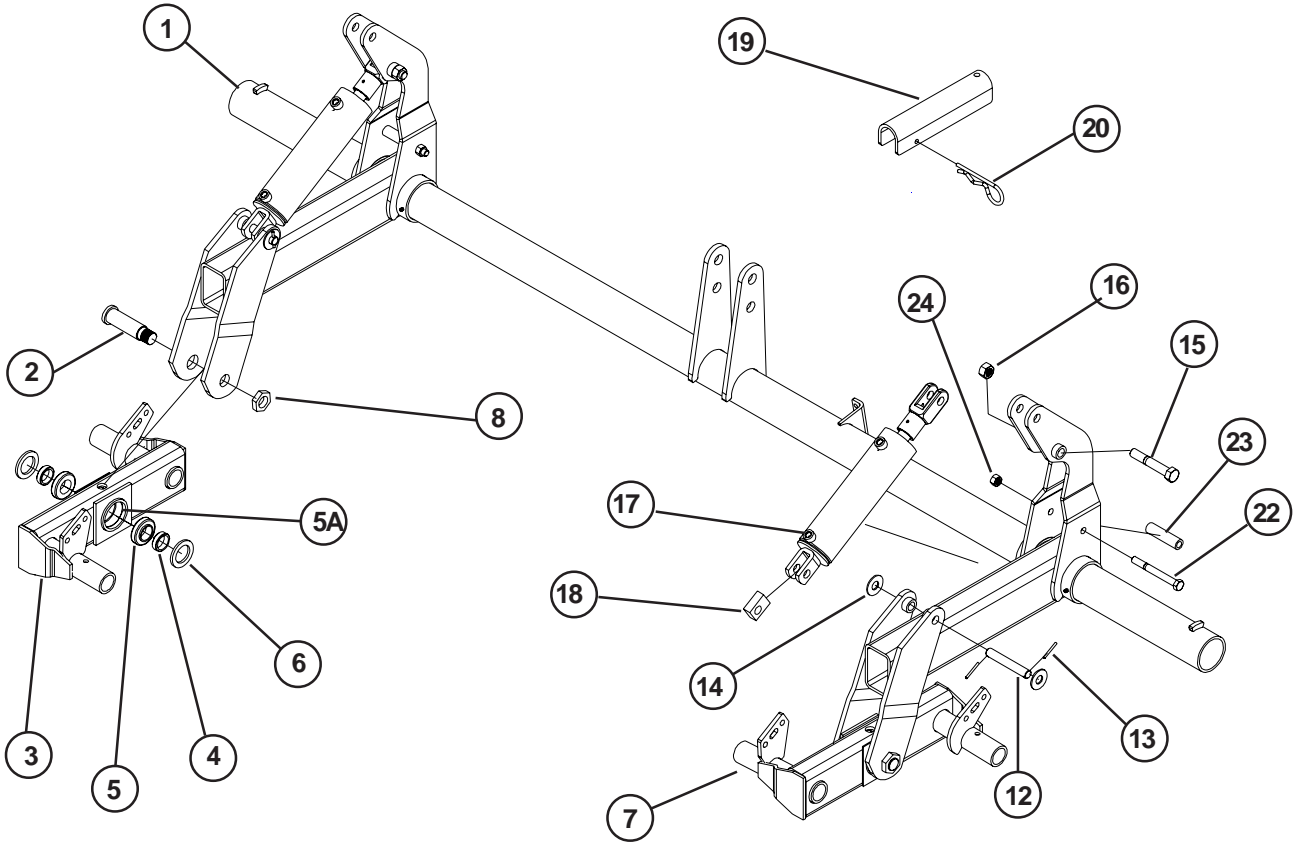
JACK STAND AND UTILITY POLE



79274

ITEM	PART NO.	DESCRIPTION
1	233208	JACK MOUNT TUBE
2	12796	POLE JACK
3	11984	WING LOCK PIN 5/8x4-15/16
4	88435	PIN-HAIR .14 x 2.56
5	23039	1/4NCx1 BOLT
6	223329	PLUG HOLDER
7	234313	MANUAL TUBE WITH BRACKET
8	88993	1/4NCx3/4 BOLT
9	88261	1/4" FLAT WASHER
10	236142	HYD HOSE BRACKET
11	88262	1/4" LOCK WASHER
12	88172	1/4NC HEX NUT
13	236092	RUBBER EDGE
14	88103	3/8NC HEX NUT
15	88362	3/8" LOCK WASHER
16	88282	3/8" FLAT WASHER
17	88385	3/8NCx4x5 U-BOLT

MAIN FRAME & WING TANDEM AXLE

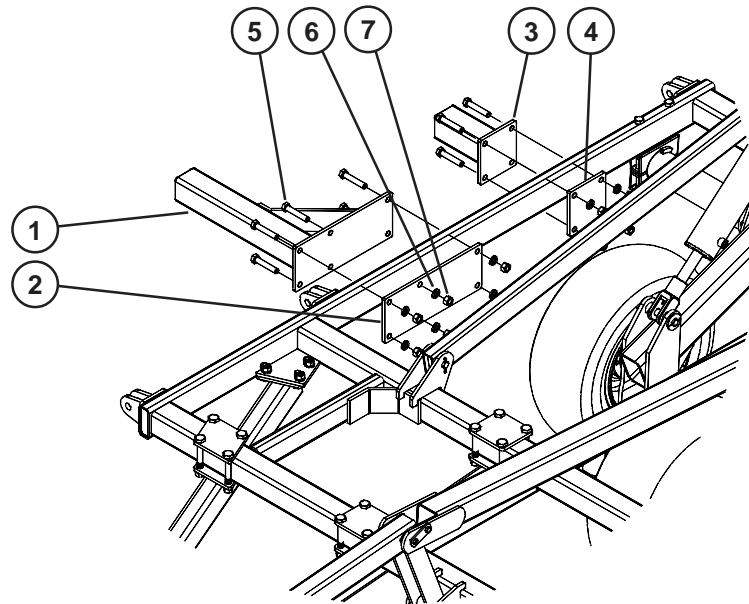


74243-3.WMF

79281-1.WMF

ITEM	PART NO.	DESCRIPTION
1	233862	10FT 5810 CP MAIN AXLE
	221938	13FT CP MAIN AXLE
2	16277	TANDEM SHAFT
3	221943	RIGHT 3x20 WALKING TANDEM
4	16278	BEARING BUSHING
5	12103	BEARING CONE 1-3/4ID (25580)
5A	12104	BEARING CUP 3.265OD (25520)
6	23733	SEAL
7	221944	LEFT 3x20 WALKING TANDEM
8	42082	1-1/2NF HYDRA JAM LOCK NUT
9	222902	WING ASSY W/WALKER - LEFT (SHOWN)
	222901	WING ASSY W/WALKER - RIGHT
10	221841	CHISEL PLOW WING AXLE
11	221944	LEFT 3x20 WALKING TANDEM (SHOWN)
	221943	RIGHT 3x20 WALKING TANDEM
12	68033	PIN(1x6.38)
13	915402	5/16 X 2-3/4 LYNCH PIN
14	88196	1" FLAT WASHER
15	88264	1NC X 6 HEX BOLT GR5
16	89075	NUT NYLON LOCK 1-8NC 5Z
17	67683F1	HYD CYL 4X12.56 BP - MAIN FRAME
18	234895	CYLINDER END PLATE
19	220061	1-1/2" CHNL LOCK 10" (BLK)
20	915402	5/16 X 2-3/4 LYNCH PIN
21	67688F1	HYD CYL 4X10.8 BP - INNER WING
22	88335	BLT HEX 3/4-10NCX7 5Z
23	246368	BUSHING
24	88356	NUT 2POSLK 3/4-10NC 5Z

1' & 2' STUB ATTACHEMENTS - FITS 2X5 & 2X6 FRAME TUBES



233992_A.PLT

233265 2' STUB GRP W/MTG HDW FITS 2X5 & 2X6 FRAME TUBES

ITEM	PART NO.	DESCRIPTION
1	233263	2FT CHISEL PLOW STUB (2x5/6)
2	233226	STUB PLATE
5	88272	3/4NCx4 GR5 BOLT
6	88130	WSHR HLK 3/4ID(13/16ACT)
7	88110	NUT HEX 3/4NC v

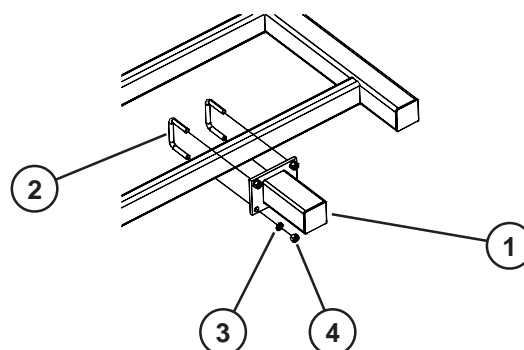
233268 BOP 1' STUB GRP W/MTG HDW FITS 2X5 & 2X6 FRAME TUBES

ITEM	PART NO.	DESCRIPTION
3	222193	CP SHANK STUB
4	233232	STUB PLATE PAINTED
5	88272	3/4NCx4 GR5 BOLT
6	88130	WSHR HLK 3/4ID(13/16ACT)
7	88110	NUT HEX 3/4NC

1' STUB ATTACHMENT - FITS 2x4 FRAME TUBES

65123 1' STUB GRP L/MTG HDWE (2x4)

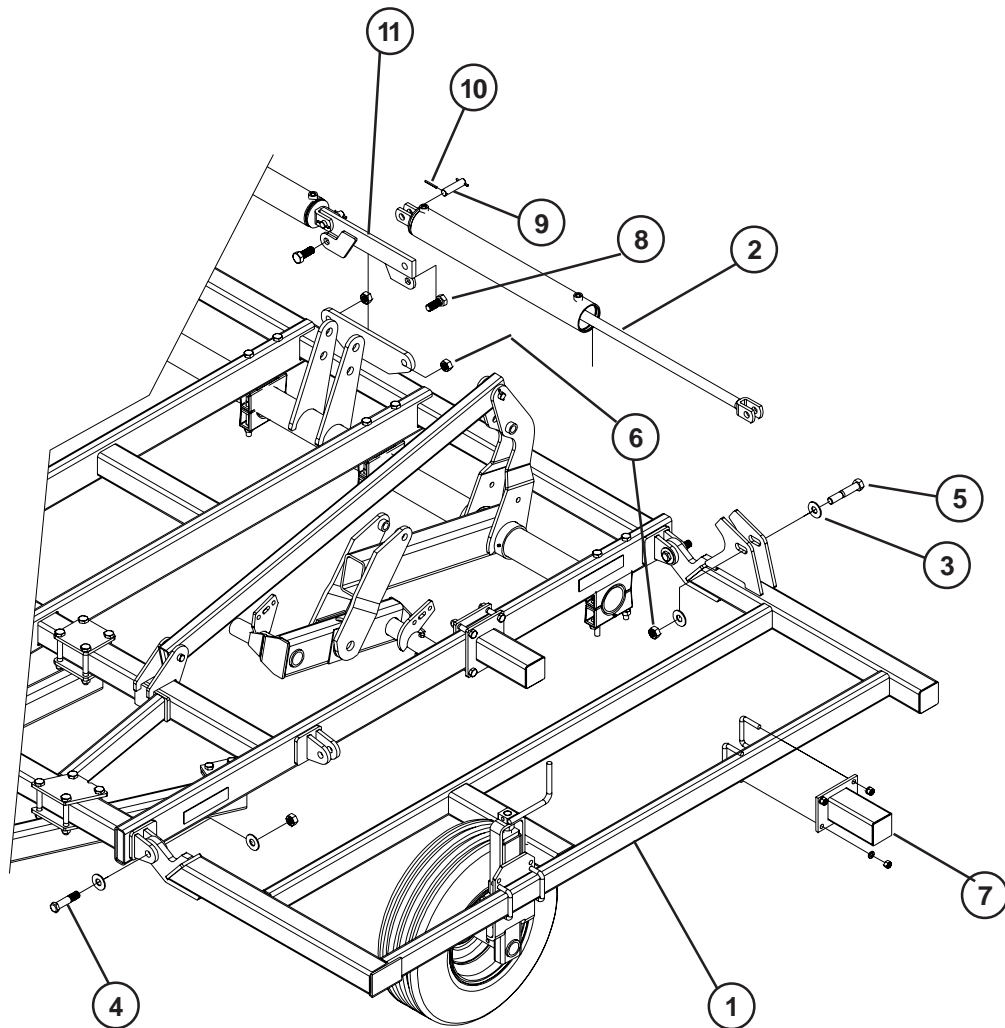
STUB GROUPS CONTAIN PAIRS OF STUBS WITH HARDWARE



233279_C.PLT

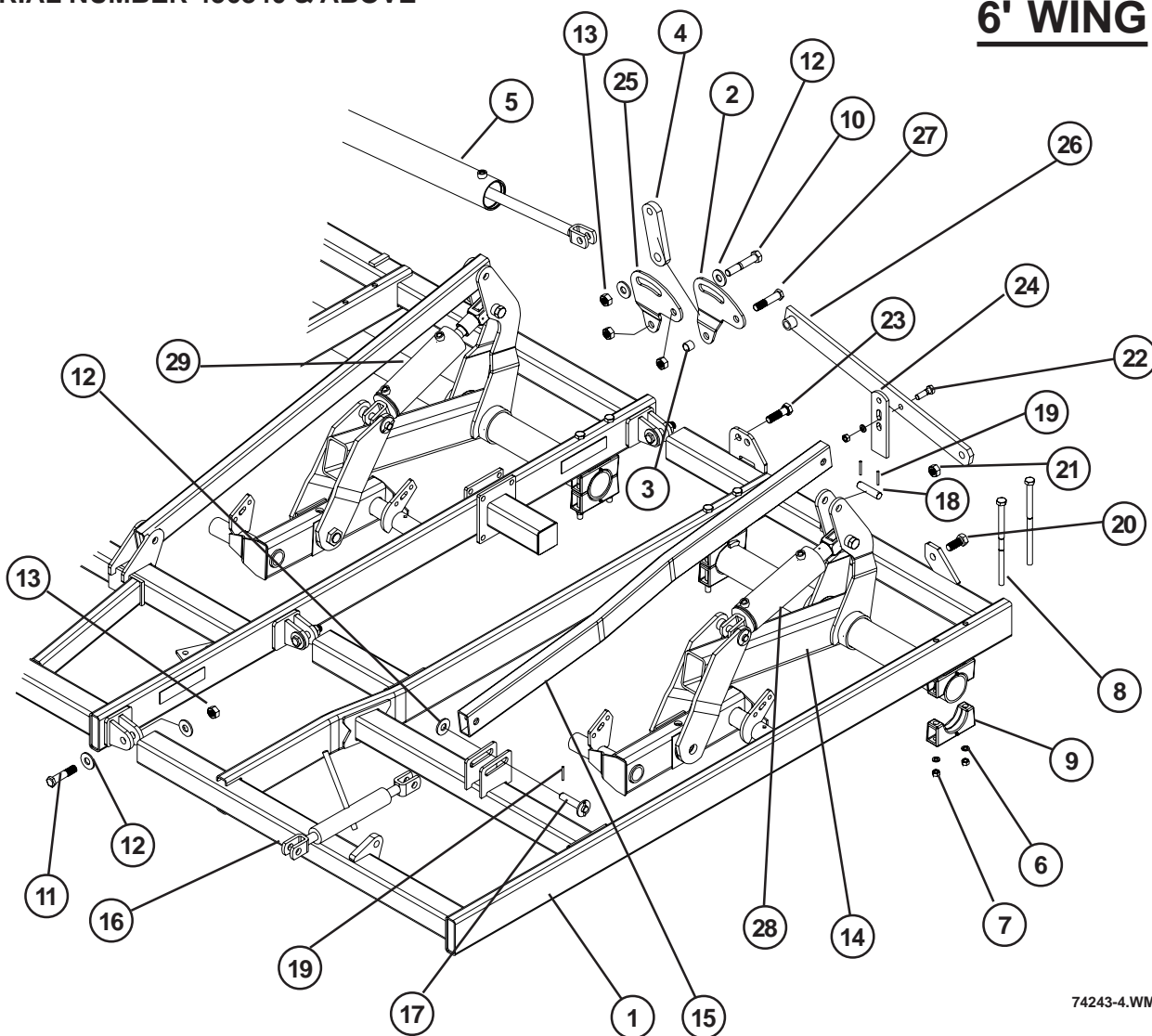
ITEM	PART NO.	DESCRIPTION
1	13963	MAIN FRAME 1FT STUB
2	88388	5/8NCx4x3-1/4 U-BOLT
3	88129	WSHR HLK 5/8ID(11/16ACT)
4	88126	NUT HEX 5/8NC

4' WING



ITEM	PART NO.	DESCRIPTION
1	240418	4FT 5810/30 CP WING - LEFT (SHOWN)
	240419	4FT 5810/30 CP WING - RIGHT
2	51229F	HYD CYL 4x30 (SEE PG 23)
3	88670	1NCx5-1/2 GR5 BOLT
4	88580	1NCx4-1/2 GR5 BOLT
5	88196	WSHR FLAT 1"
6	89075	NUT NYLON LOCK 1NC
7	13963	MAIN FRAME 1FT STUB
8	88393	BLT HEX 1-8NCX2-1/2 5Z
9	221714	HEADLESS PIN(2) 1X4.00
10	42484	PIN ROLL 1/4 X 2-1/4 Z
11	233506	4FT 5800 LIFT ANCHOR

NOTE: DETAILS ON ITEM 7 (65123) SHOWN ON PAGE 13.

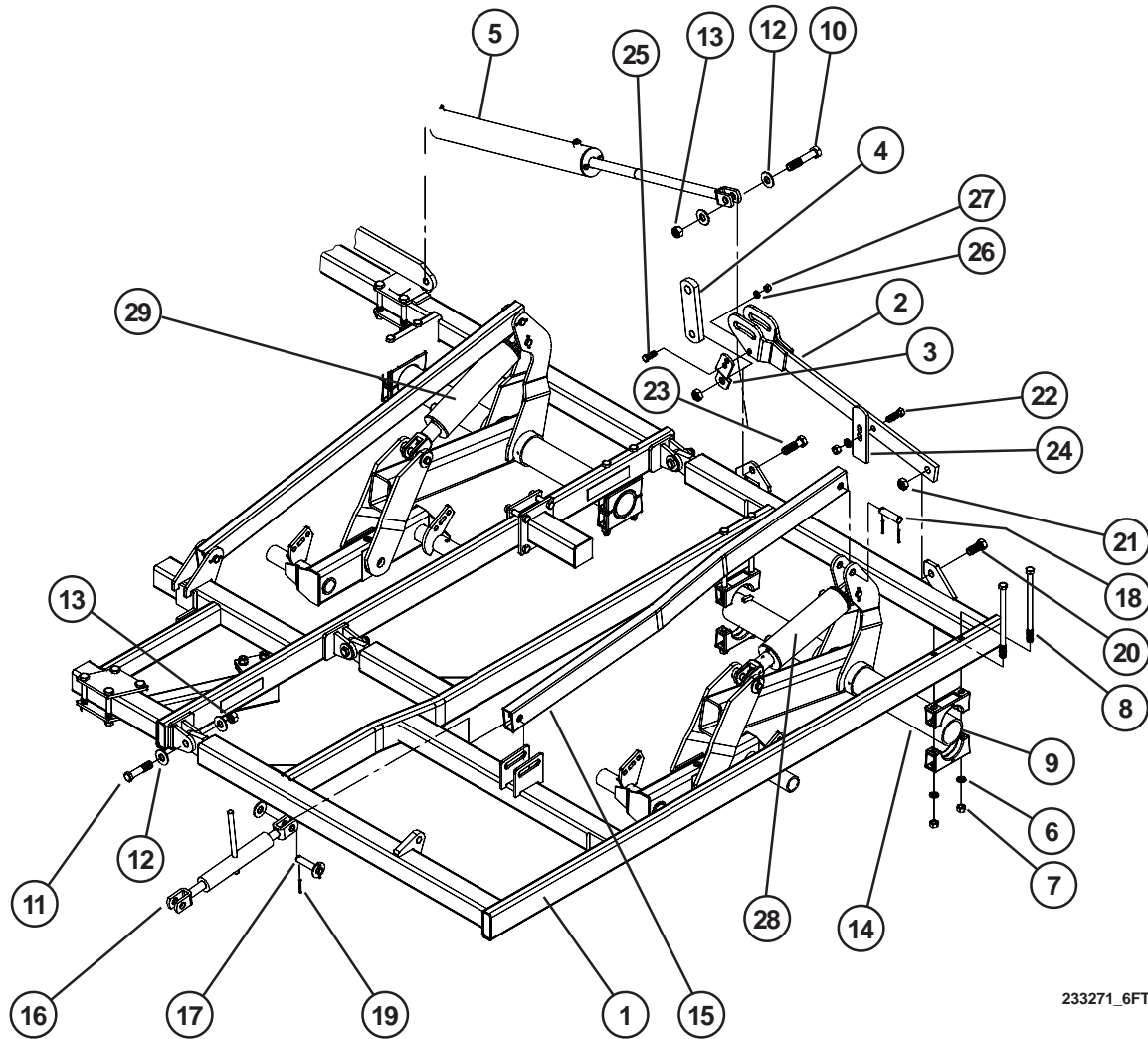


74243-4.WMF

ITEM	PART NO.	DESCRIPTION
1	237770	6FT 5800 CP WING - LEFT (SHOWN)
	237769	6FT 5800 CP WING - RIGHT
2	237774	LIFT BRACKET - RIGHT
3	48523	WING LIFT BUSHING
4	237775	WING LIFT LINK
5	51229F	HYD CYL 4x30 (SEE PAGE 23)
6	88130	WSHR HLK 3/4ID(13/16ACT)
7	88110	NUT HEX 3/4NC
8	89356	3/4NCx14 GR5 BOLT
9	34132	AXLE CLAMP ASSEMBLY
10	88670	1NCx5-1/2 GR5 BOLT
11	88580	1NCx4-1/2 GR5 BOLT
12	88196	WSHR FLAT 1(1-1/16x2-1/2 ACT)
13	89075	NUT NYLON LOCK 1NC
14	222902	CP WING AXLE ASSY - LEFT
	222901	CP WING AXLE ASSY - RIGHT

ITEM	PART NO.	DESCRIPTION
15	233351	WING MAST TUBE
16	33104	GAUGE WHEEL JACK
17	222338	HEADLESS PIN 1x4-1/8
18	221714	HEADLESS PIN 1x3-7/32
19	42484	1/4 x 2-1/4 ROLL PIN
20	88393	1NCx2-1/2 GR5 BOLT
21	88348	NUT 2POS LK 1NC
22	88404	3/4NCx2-1/2 GR5 BOLT
23	88447	1NCx3-1/2 GR5 BOLT
24	235122	WING REST FLAT
25	235158	LIFT BRACKET - LEFT
26	235060	SHORT WING LIFT STRAP
27	88580	BLT HEX 1-8NCx4-1/2 5Z
28	67688F1	4x10.8 HYD CYL (SEE PAGE 25)
29	67683F1	4x12.6 HYD CYL (SEE PAGE 25)

SEE PAGE 12 FOR INFORMATION ON WING AXLE COMPONENTS

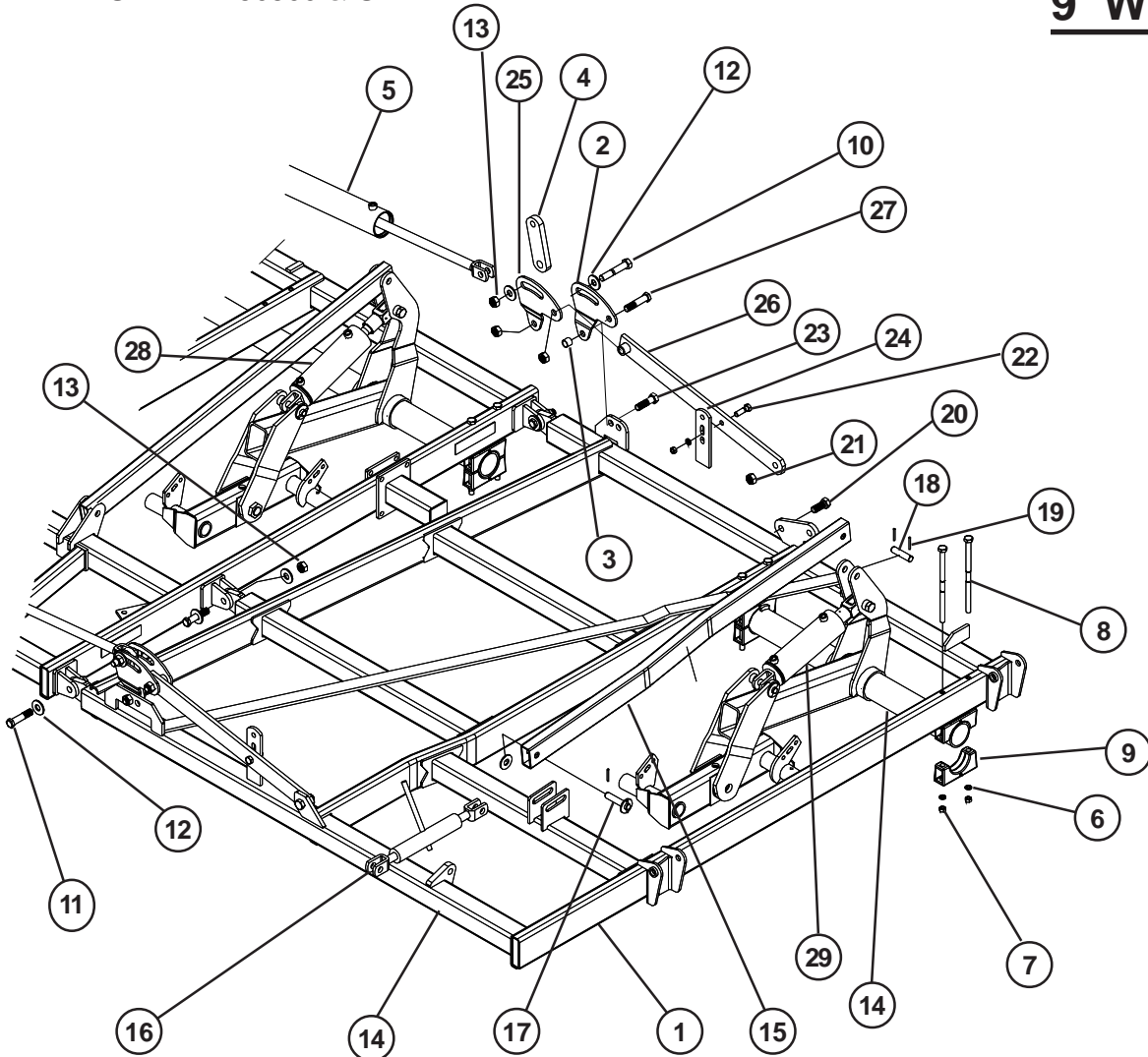


233271_6FTW.PLT

ITEM	PART NO.	DESCRIPTION
1	233853	6FT 5800 CP WING - LEFT (SHOWN)
	233852	6FT 5800 CP WING - RIGHT
2	233347	LIFT LINK ARM - SHORT
3	220871	WING LINK STRAP
4	48522	WING LIFT LINK
5	51229F	HYD CYL 4x30 (SEE PAGE 24)
6	88130	WSHR HLK 3/4ID(13/16ACT)
7	88110	NUT HEX 3/4NC
8	89165	3/4NCx13 GR5 BOLT
9	34132	AXLE CLAMP ASSEMBLY
10	88670	1NCx5-1/2 GR5 BOLT
11	88580	1NCx4-1/2 GR5 BOLT
12	88196	WSHR FLAT 1(1-1/16x2-1/2 ACT)
13	89075	NUT NYLON LOCK 1NC
14	222902	CP WING AXLE ASSY - LEFT
	222901	CP WING AXLE ASSY - RIGHT

ITEM	PART NO.	DESCRIPTION
15	233351	WING MAST TUBE
16	33104	GAUGE WHEEL JACK
17	222338	HEADLESS PIN 1x4-1/8
18	221714	HEADLESS PIN 1x3-7/32
19	42484	1/4 x 2-1/4 ROLL PIN
20	88393	1NCx2-1/2 GR5 BOLT
21	88348	NUT 2POSLK 1NC
22	88404	3/4NCx2-1/2 GR5 BOLT
23	88447	1NCx3-1/2 GR5 BOLT
24	233363	WING REST FLAT
25	88838	5/8NCx1-3/4 GR5 BOLT
26	88129	WSHR HLK 5/8ID(11/16ACT)
27	88126	NUT HEX 5/8NC
28	67688F	4x10.8 HYD CYL (SEE PAGE 24)
29	67683F	4x12.6 HYD CYL (SEE PAGE 24)

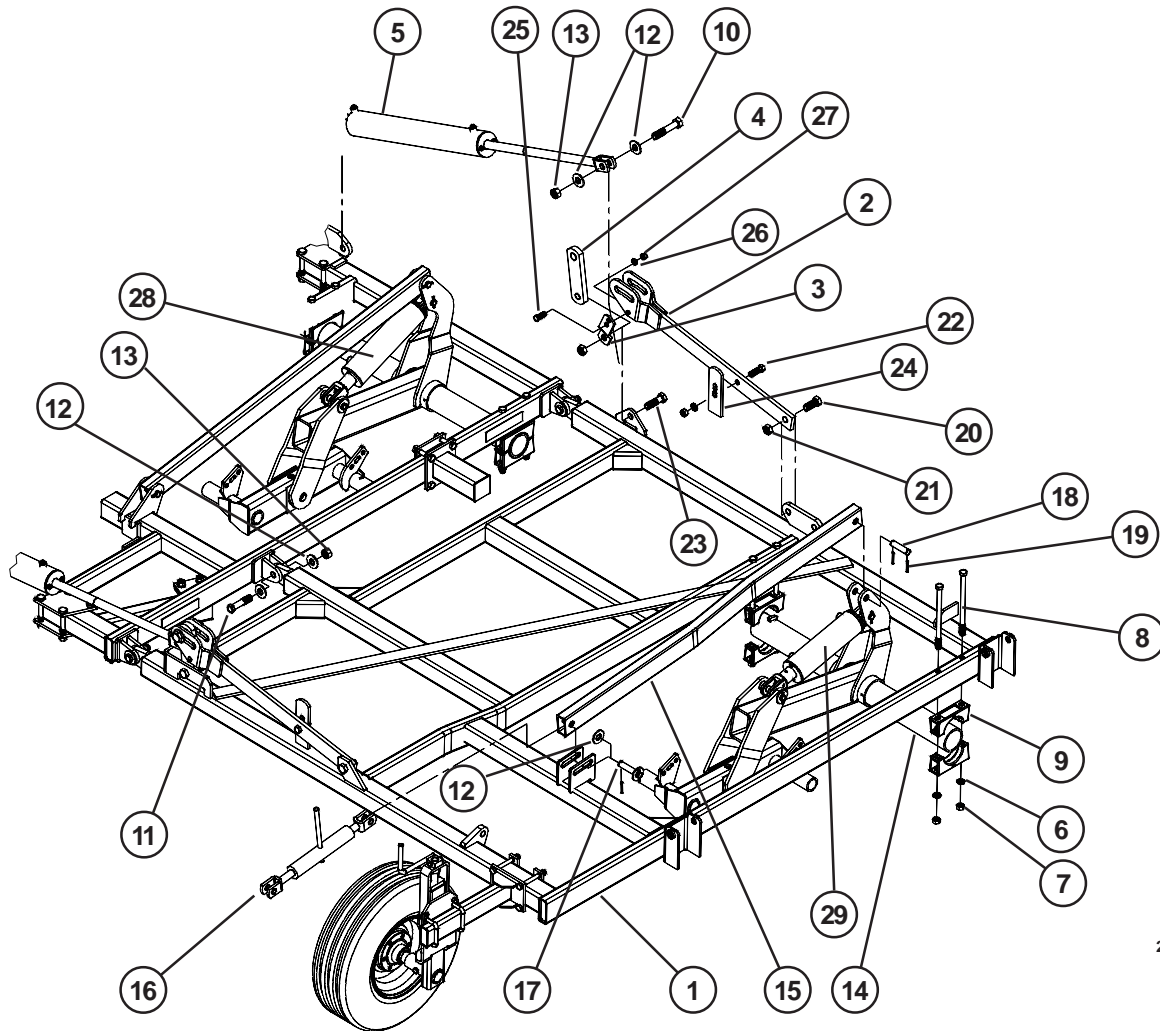
SEE PAGE 12 FOR INFORMATION ON WING AXLE COMPONENTS



74243-5.WMF

ITEM	PART NO.	DESCRIPTION	ITEM	PART NO.	DESCRIPTION
1	237768	9FT 5800 CP WING - LEFT (SHOWN)	15	233351	WING MAST TUBE
	237765	9FT 5800 CP WING - RIGHT	16	33104	GAUGE WHEEL JACK
2	237774	LIFT BRACKET - RIGHT	17	222338	HEADLESS PIN 1x4-1/8
3	48523	WING LIFT BUSHING	18	221714	HEADLESS PIN 1x3-7/32
4	237775	WING LIFT LINK	19	42484	1/4 x 2-1/4 ROLL PIN
5	51229F	HYD CYL 4x30 (SEE PAGE 24)	20	88393	1NCx2-1/2 GR5 BOLT
6	88130	WSHR HLK 3/4ID(13/16ACT)	21	88348	NUT 2POS LK 1NC
7	88110	NUT HEX 3/4NC	22	88404	3/4NCx2-1/2 GR5 BOLT
8	89356	3/4NCx14 GR5 BOLT	23	88447	1NCx3-1/2 GR5 BOLT
9	34132	AXLE CLAMP ASSEMBLY	24	235122	WING REST FLAT
10	88670	1NCx5-1/2 GR5 BOLT	25	235158	LIFT BRACKET - LEFT
11	88580	1NCx4-1/2 GR5 BOLT	26	235060	SHORT WING LIFT STRAP
12	88196	WSHR FLAT 1(1-1/16x2-1/2 ACT)	27	88580	BLT HEX 1-8NCx4-1/2 5Z
13	89075	NUT NYLON LOCK 1NC	28	67683F1	4x12.6 HYD CYL (SEE PAGE 25)
14	222902	CP WING AXLE ASSY - LEFT	29	67688F1	4x10.8 HYD CYL (SEE PAGE 25)
	222901	CP WING AXLE ASSY - RIGHT			

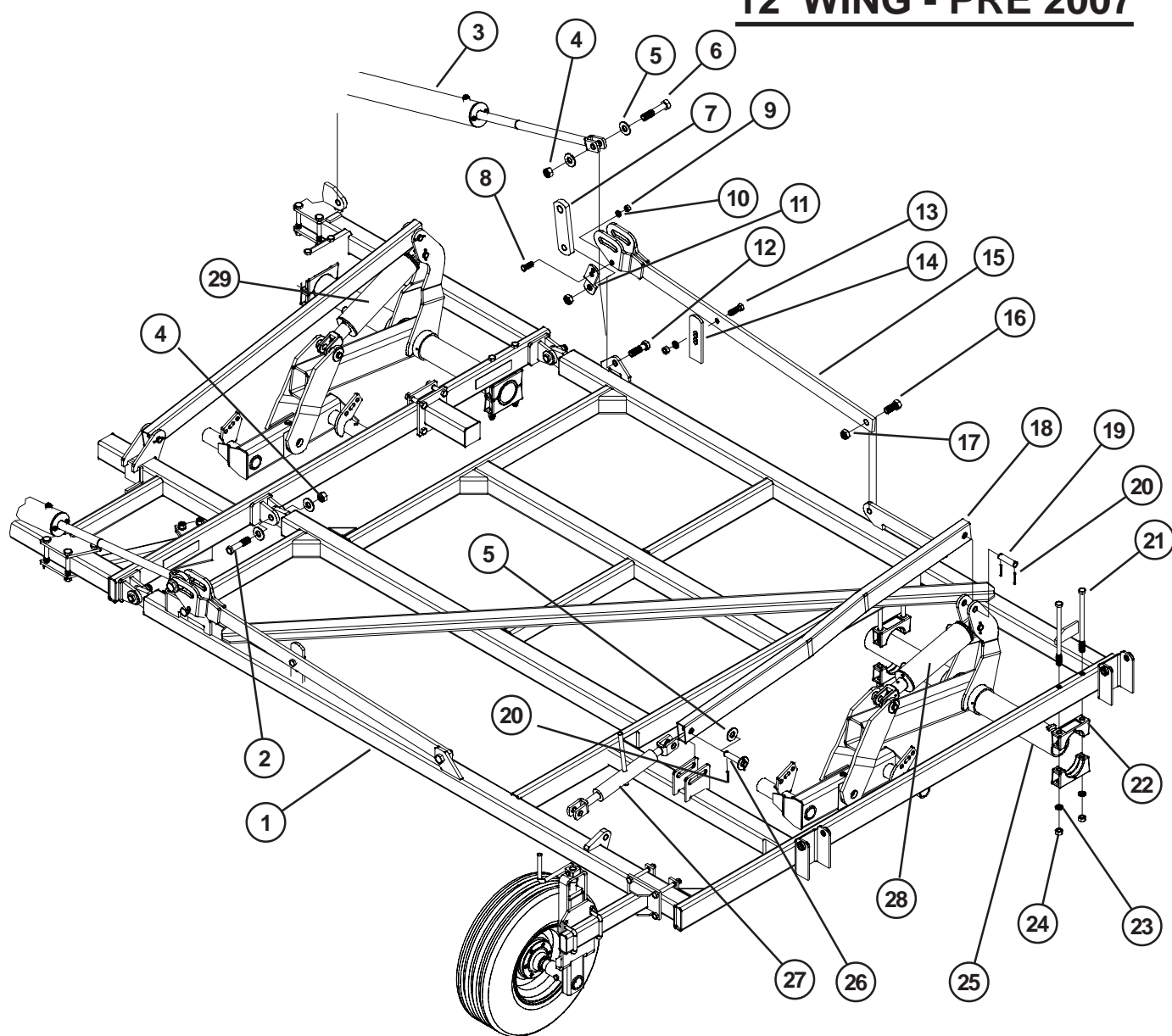
SEE PAGE 12 FOR INFORMATION ON WING AXLE COMPONENTS



233279_A.PLT

ITEM	PART NO.	DESCRIPTION	ITEM	PART NO.	DESCRIPTION
1	233345	9FT 5800 CP WING - LEFT (SHOWN)	15	233351	WING MAST TUBE
	233341	9FT 5800 CP WING - RIGHT	16	33104	GAUGE WHEEL JACK
2	233347	LIFT LINK ARM - SHORT	17	222338	HEADLESS PIN 1x4-1/8
3	220871	WING LINK STRAP	18	221714	HEADLESS PIN 1x3-7/32
4	48522	WING LIFT LINK	19	42484	1/4 x 2-1/4 ROLL PIN
5	51229F	HYD CYL 4x30 (SEE PAGE 26)	20	88393	1NCx2-1/2 GR5 BOLT
6	88130	WSHR HLK 3/4ID(13/16ACT)	21	88348	NUT 2POSLK 1NC
7	88110	NUT HEX 3/4NC	22	88404	3/4NCx2-1/2 GR5 BOLT
8	89165	3/4NCx13 GR5 BOLT	23	88447	1NCx3-1/2 GR5 BOLT
9	34132	AXLE CLAMP ASSEMBLY	24	233363	WING REST FLAT
10	88670	1NCx5-1/2 GR5 BOLT	25	88838	5/8NCx1-3/4 GR5 BOLT
11	88580	1NCx4-1/2 GR5 BOLT	26	88129	WSHR HLK 5/8ID(11/16ACT)
12	88196	WSHR FLAT 1(1-1/16x2-1/2 ACT)	27	88126	NUT HEX 5/8NC
13	89075	NUT NYLON LOCK 1NC	28	67683F	4x12.6 HYD CYL (SEE PAGE 24)
14	222902	WING AXLE ASSY - LEFT	29	67688F	4x10.8 HYD CYL (SEE PAGE 24)
	222901	WING AXLE ASSY - RIGHT			

SEE PAGE 12 FOR INFORMATION ON WING AXLE COMPONENTS



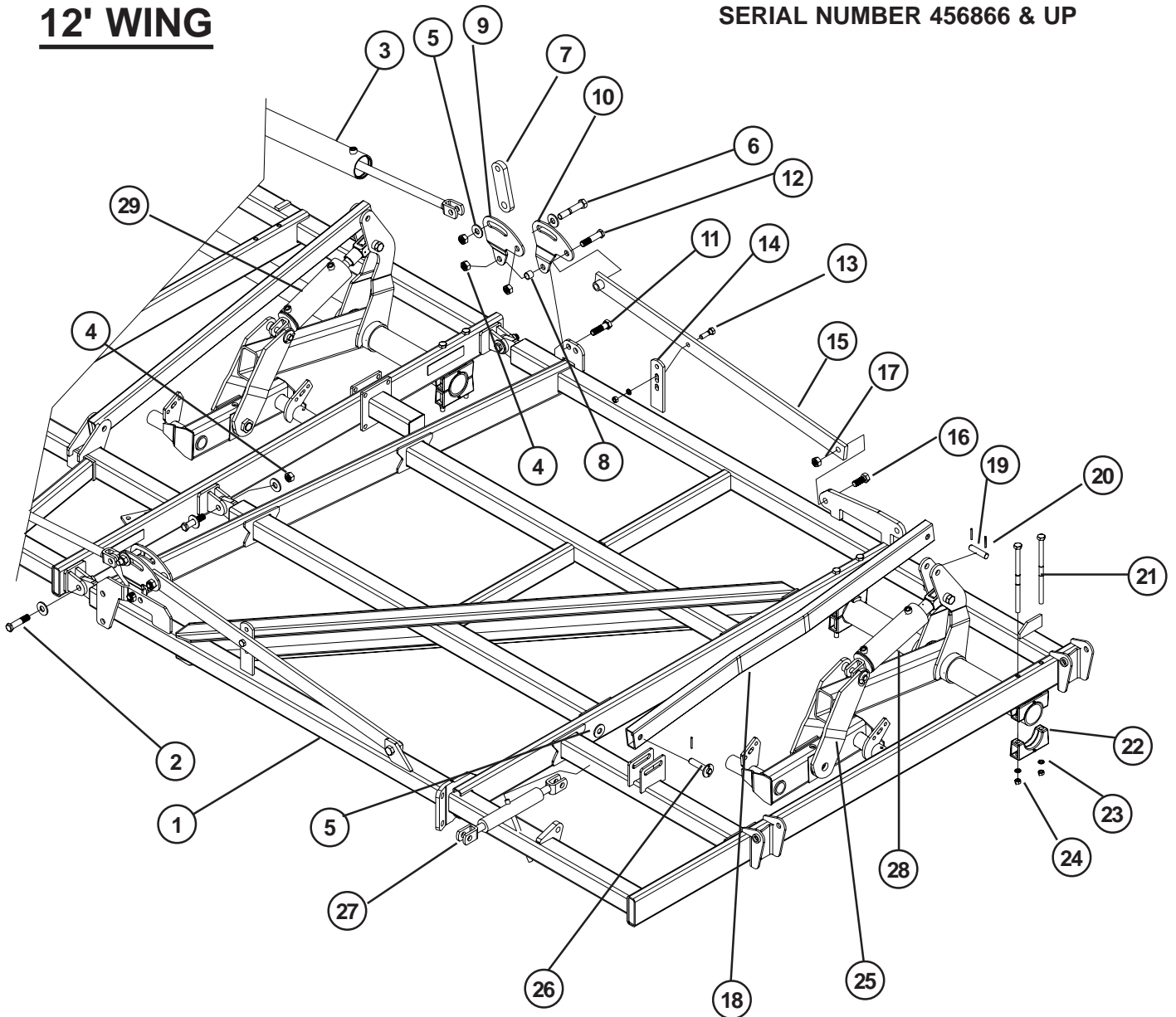
SEE PAGE 12 FOR INFORMATION ON WING AXLE COMPONENTS

ITEM	PART NO.	DESCRIPTION
1	221959	12FT CP WING - LEFT (SHOWN)
	221958	12FT CP WING - RIGHT
2	88580	1NCx4-1/2 GR5 BOLT
3	51229F	HYD CYL 4x30 (SEE PAGE 24)
4	89075	NUT NYLON LOCK 1NC
5	88196	WSHR FLAT 1(1-1/16x2-1/2 ACT)
6	88670	1NCx5-1/2 GR5 BOLT
7	48522	WING LIFT LINK
8	88838	5/8NCx1-3/4 GR5 BOLT
9	88126	NUT HEX 5/8NC
10	88129	WSHR HLK 5/8ID(11/16ACT)
11	220871	WING LINK STRAP
12	88447	1NCx3-1/2 GR5 BOLT
13	88404	3/4NCx2-1/2 GR5 BOLT
14	233363	WING REST FLAT

ITEM	PART NO.	DESCRIPTION
15	221853	LIFT LINK ARM - LONG
16	88393	1NCx2-1/2 GR5 BOLT
17	88348	NUT 2POSLK 1NC
18	233351	WING MAST TUBE
19	221714	HEADLESS PIN 1x3-7/32
20	42484	1/4 x 2-1/4 ROLL PIN
21	89165	3/4NCx13 GR5 BOLT
22	34132	AXLE CLAMP ASSEMBLY
23	88130	WSHR HLK 3/4ID(13/16ACT)
24	88110	NUT HEX 3/4NC
25	222902	CP WING AXLE ASSY - LEFT
	222901	CP WING AXLE ASSY - RIGHT
26	222338	HEADLESS PIN(2) 1x4-1/8
27	33104	GAUGE WHEEL JACK
28	67688F	4x10.8 HYD CYL (SEE PAGE 24)
29	67683F	4x12.6 HYD CYL (SEE PAGE 24)

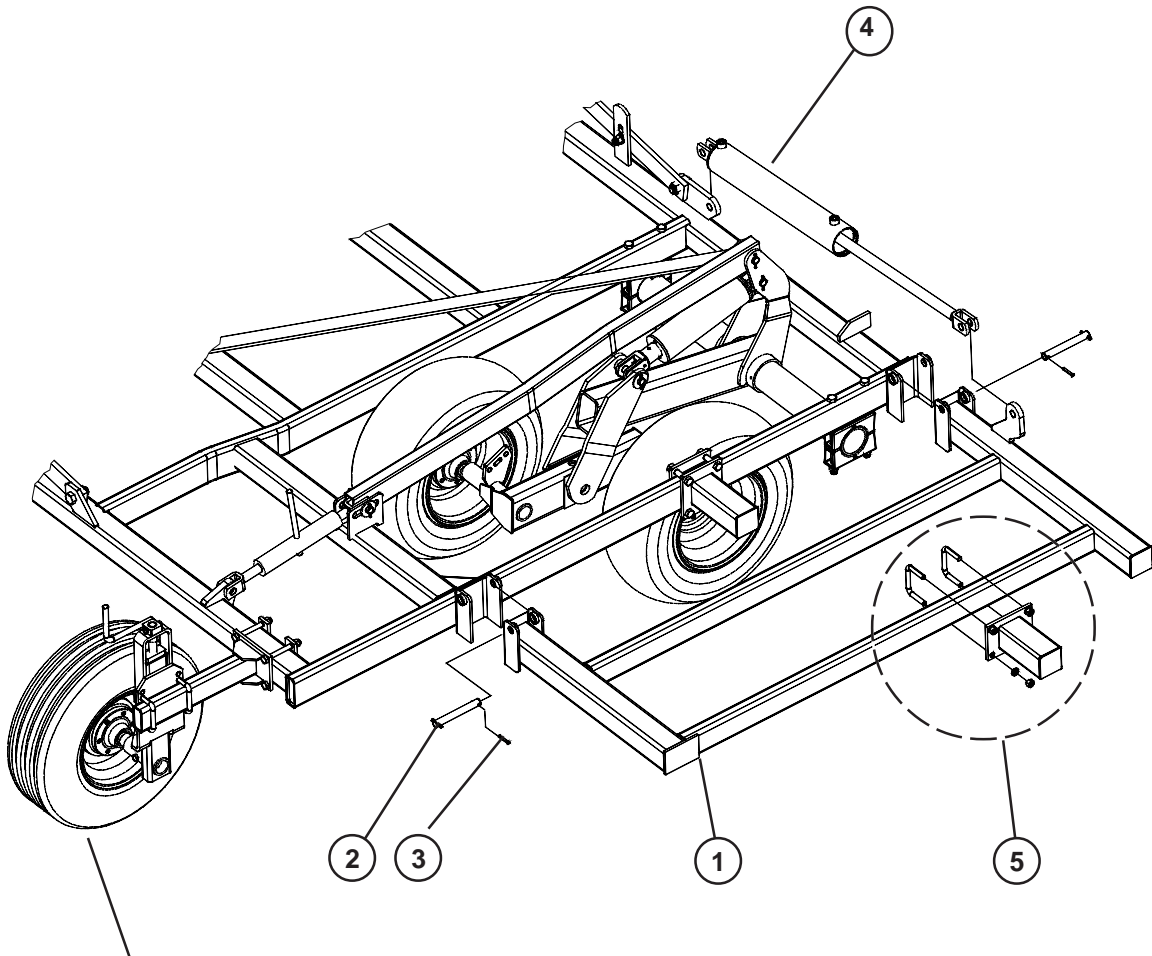
12' WING

SERIAL NUMBER 456866 & UP



ITEM	PART NO.	DESCRIPTION
1	233451	12FT CP WING - LEFT (SHOWN)
	235807	12FT CP WING - RIGHT
2	88580	1NCx4-1/2 GR5 BOLT
3	51229F	HYD CYL 4x30 (SEE PAGE 22)
4	89075	NUT NYLON LOCK 1NC
5	88196	WSHR FLAT 1(1-1/16x2-1/2 ACT)
6	88670	1NCx5-1/2 GR5 BOLT
7	237775	WING LIFT LINK
8	48523	WING LIFT BUSHING
9	237774	LIFT BRACKET - RIGHT
10	235158	LIFT BRACKET - LEFT
11	88447	1NCx3-1/2 GR5 BOL
12	88580	1NCx4-1/2 GR5 BOLT
13	88404	3/4NCx2-1/2 GR5 BOLT
14	235122	WING REST FLAT

ITEM	PART NO.	DESCRIPTION
15	237773	LIFT LINK ARM - LONG
16	88393	1NCx2-1/2 GR5 BOLT
17	88348	NUT 2POS LK 1NC
18	233351	WING MAST TUBE
19	221714	HEADLESS PIN 1x3-7/32
20	42484	1/4 x 2-1/4 ROLL PIN
21	89356	3/4NCx14 GR5 BOLT
22	34132	AXLE CLAMP ASSEMBLY
23	88130	WSHR HLK 3/4ID(13/16ACT)
24	88110	NUT HEX 3/4NC
25	222902	CP WING AXLE ASSY - LEFT
	222901	CP WING AXLE ASSY - RIGHT
26	222338	HEADLESS PIN(2) 1x4-1/8
27	33104	GAUGE WHEEL JACK
28	67688F1	4x10.8 HYD CYL (SEE PAGE 25)
29	67683F1	4x12.6 HYD CYL (SEE PAGE 25)



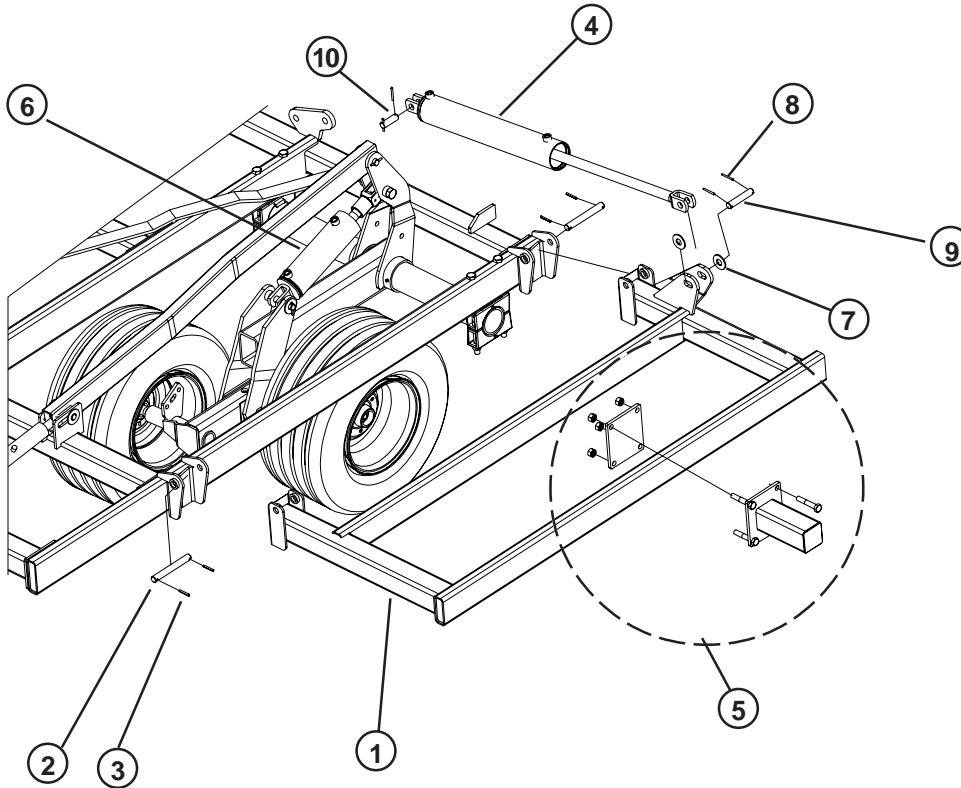
SEE PAGE 48 FOR PARTS BREAKDOWN

ITEM	PART NO.	DESCRIPTION
1	233676	3FT CP WING - LEFT - R/B 244573
	221851	3FT CP WING - RIGHT R/B 244566
2	14408	HEADLESS PIN(2) 1x6-13/16
3	88432	PIN ROLL 5/16DIAX2
4	51241F	HYD CYL 3x24 (SEE PAGE 28)
5	65123	BOP 1' STUB GRP W/MTG HDW (2x4)

NOTE: DETAILS TO ITEM 5 (65123) SHOWN ON PAGE 13.

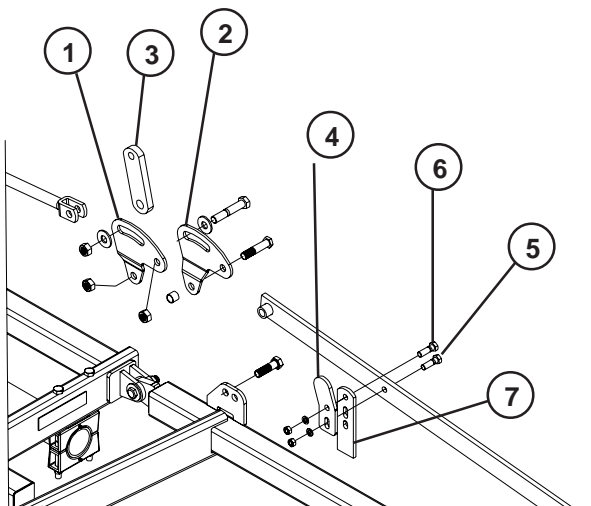
3' OUTER WING

SERIAL NUMBER 457004 & ABOVE



ITEM	PART NO.	DESCRIPTION
1	244573	3FT CP WING - LEFT (SHOWN)
	244566	3FT CP WING - RIGHT
2	14408	HEADLESS PIN 1x6-13/16
3	88432	PIN ROLL 5/16DIAx2
4	51241F	HYD CYL 3x24 (SEE PAGE 23)
5	233267	1' STUB GRP W/MTG HDW
6	67388F1	4x10.8 HYD CYL (SEE PAGE 25)
7	88196	WSHR FLAT 1(1-1/16X2-1/2ACT) Z
8	42484	1/4 X 2-1/4 ROLL PIN
9	221344	HEADLESS PIN 1X5.12
10	42473	HEADLESS PIN 1X2-3/8

NOTE: DETAILS TO ITEM 5 (233267) SHOWN ON PAGE 13.

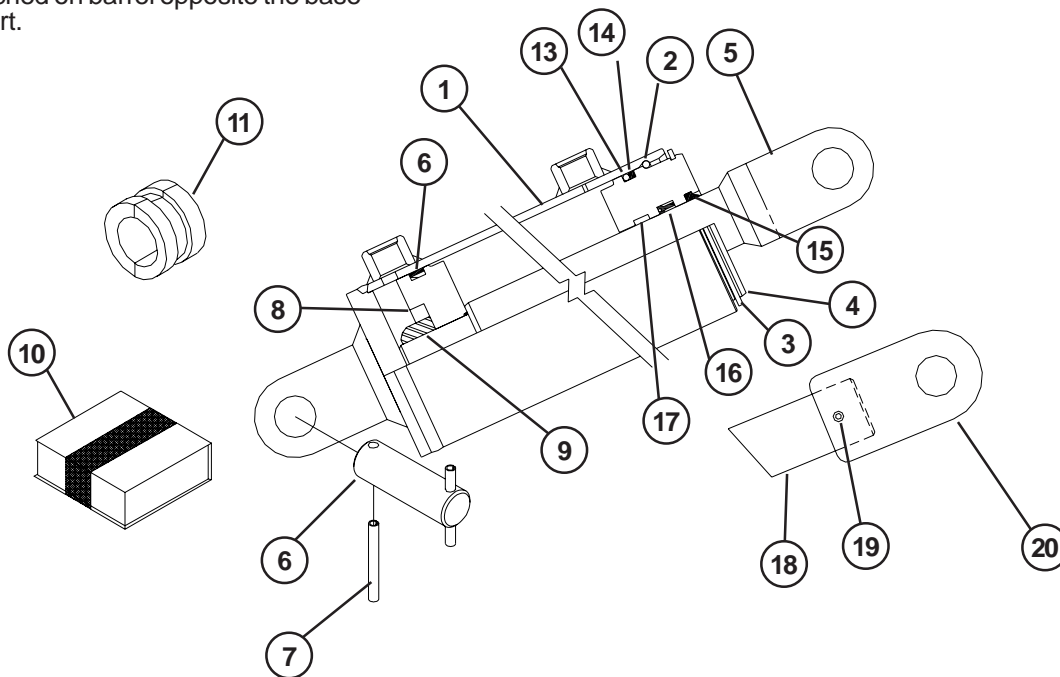


ITEMS 1-5 ARE REQUIRED FOR 3FT WINGS WHEN USED WITH 12FT INNER WINGS. PARTS ARE INCLUDED WITH THE 3FT ADD-ON KITS FOR 12FT INNER WINGS (SEE PAGE 20)

ITEM	PART NO.	DESCRIPTION
1	240586	LIFT BRACKET - LEFT
2	240585	LIFT BRACKET - RIGHT
3	48522	WING LIFT LINK
4	240583	RESTRICTED FOLD LINK
5	88841	BLT HEX 3/4-10NCX2-3/4 5Z
6	88404	BLT HEX 3/4-10NCX2-1/2 5Z
7	235122	WING REST FLAT

WING FOLD CYLINDERS

Vendor/WIL-RICH P/N Info is laser etched on barrel opposite the base port.



ITEMS NOTED AS "NS" ARE NOT AVAILABLE, CHECK WITH WIL-RIC SERVICE PARTS FOR OTHER PART AVAILABILITY.

COLUMN	WIL-RICH PART NO.	SIZE	ROD DIA.	PIN DIA.
A	51242F	3 x 30	1-1/2"	1"
B	51235F	3.5 x 24	1-1/2"	1"
C	51226F	4 x 24	1-1/2"	1"
D	51229F	4 x 30	1-1/2"	1"
E	12062F	5 x 24	2"	1"
F	20966F	5 x 30	2"	1"
G	51241F	3 x 24	1-1/2"	1"

ITEM	DESCRIPTION	REQ.	A	B	C	D	E	F	G
1	Barrel	NS	233709	233812	233818	233716	233817	233723	233803
2	Retainer Ring	1	233711	233814	233718	233718	233724	233724	233711
3	Ext. Snap Ring	1	233712	233816	233720	233720	233727	233727	233712
4	Snap Ring Head	NS	233713	233815	233719	233719	233726	233726	233713
5	Rod	1	233710	233813	233813	233717	233819	233725	
6	Clevis Pin	2	42473	42473	42473	42473	42473	42473	42473
7	Roll Pin 1/4x2-1/4	2	42484	42484	42484	42484	42484	42484	42488
8	Piston	NS	33714	233811	233715	233715	233722	233722	233714
9	Lock Nut	1	233700	233700	233700	233700	233721	233721	233700
10	Seal kit	1	233729	233810	233730	233730	233731	233731	233729
11	Stop collar	1	15113	15113	15113	15113	15116	15116	15113
12	Piston Seal	1	SEAL KIT						
13	Head O-Ring	1	SEAL KIT						
14	Head Backup Ring	1	SEAL KIT						
15	Rod Wiper	1	SEAL KIT						
16	Rod Cup Seal	1	SEAL KIT						
17	Wear Ring	1	SEAL KIT						
18	Rod (51241F Only)	1							233804
19	Set Screw (51241F)	1							88706
20	Clevis (51241F Only)	1							55661

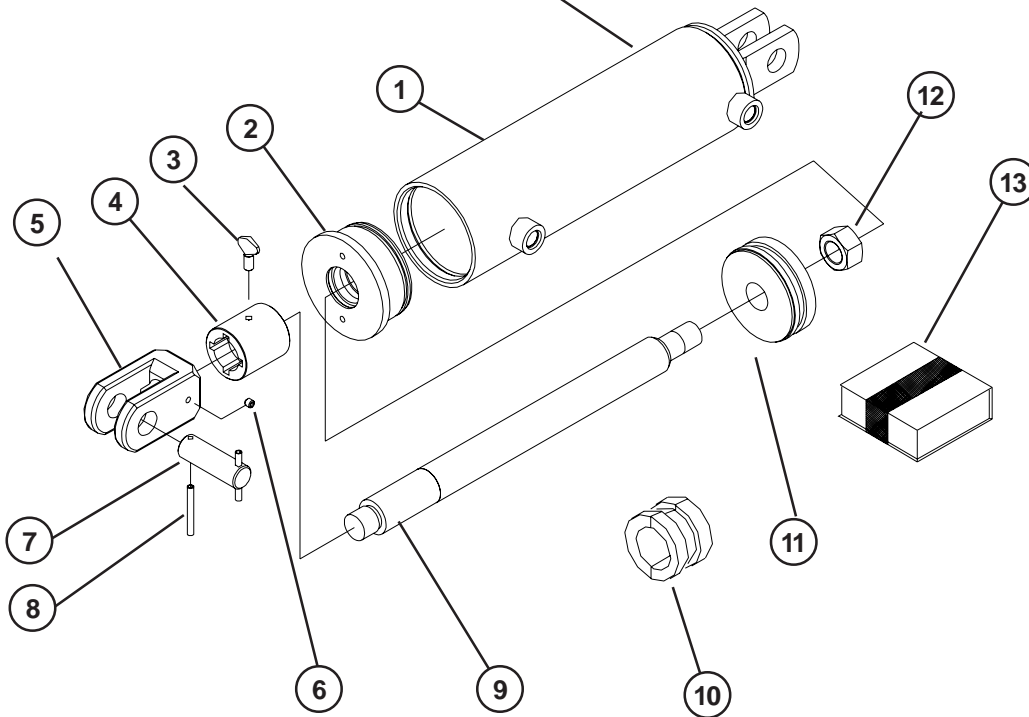
CHECK THE WIL-RICH PART NO. ON THE CYLINDER WHEN ORDERING REQUIRED PARTS

MAIN LIFT TOP BYPASS CYLINDER

NON-CURRENT F SERIES CYLINDERS

Vendor/WIL-RICH P/N Info is laser etched on barrel opposite the base port.

SIDE PORT (SHOWN) AND IN LINE PORT CYLINDERS REQUIRE THE SAME SERVICEABLE COMPONENTS. ITEMS NOTED AS "NS" ARE NOT AVAILABLE.



COLUMN	WIL-RICH PART NO.	SIZE	ROD DIA.	PIN DIA.
A	67687F(R/B 67687F1)	4 x 9.3	1-1/2"	1"
B	67688F(R/B 67688F1)	4 x 10.8	1-1/2"	1"
C	67683F (R/B67683F1)	4x12.6	1-1/2"	1"

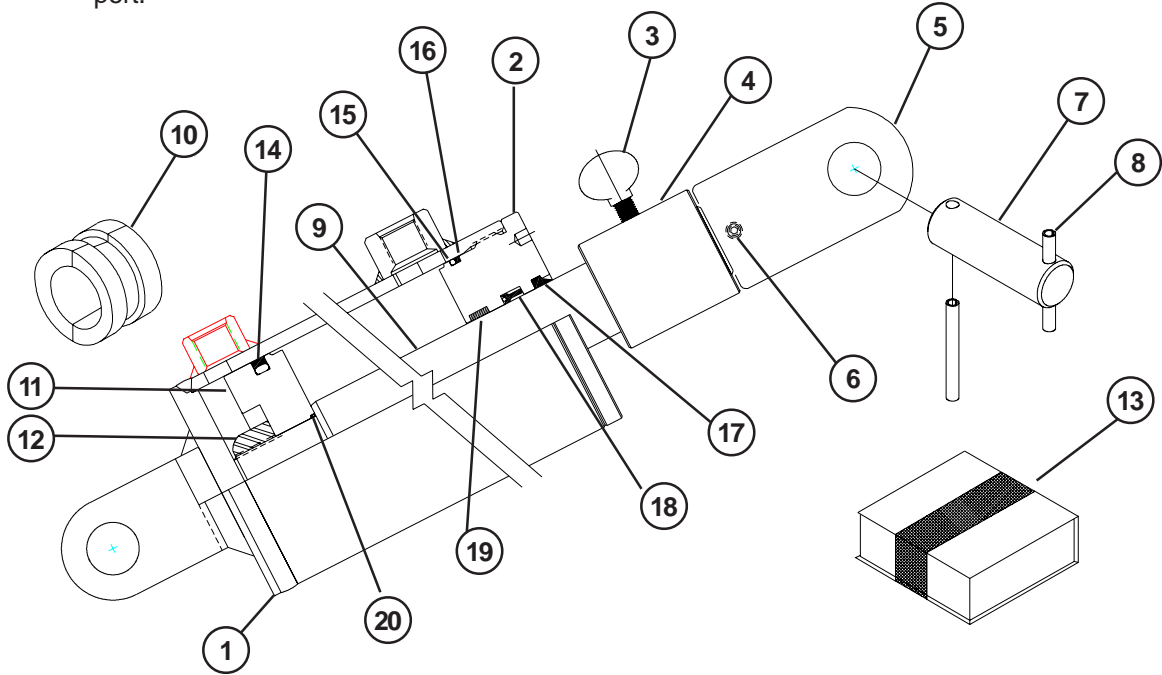
ITEM	DESCRIPTION	REQ.	A	B	C
1	Barrel	NS	233702	233705	233707
2	Internal Head	NS	233704	233704	233704
3	Thumb Screw	1	88387	88387	88387
4	Screw Collar	1	55665	55665	55665
5	Rod End Clevis	1	67657	67657	67657
6	Set Screw	1	88706	88706	88706
7	HDLS Pin 1x2-3/8	2	42473	42473	42473
8	Roll Pin 1/4x3.12	4	42484	42484	42484
9	Cylinder Rod	1	233703	233706	233708
10	Stop Collars	1	15113	15113	15113
11	Piston	NS	233701	233701	233701
12	Rod Nut	1	233700	233700	233700
13	Seal Kit	1	233728	233728	233728

CHECK THE WIL-RICH PART NO. ON THE CYLINDER WHEN ORDERING REQUIRED PARTS

MAIN LIFT TOP BYPASS CYLINDER

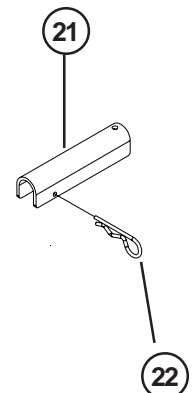
Vendor/WIL-RICH P/N Info is laser etched on barrel opposite the base port.

SIDE PORT AND IN LINE PORT (SHOWN) CYLINDERS REQUIRE THE SAME SERVICEABLE COMPONENTS. ITEMS NOTED AS "NS" ARE NOT AVAILABLE.



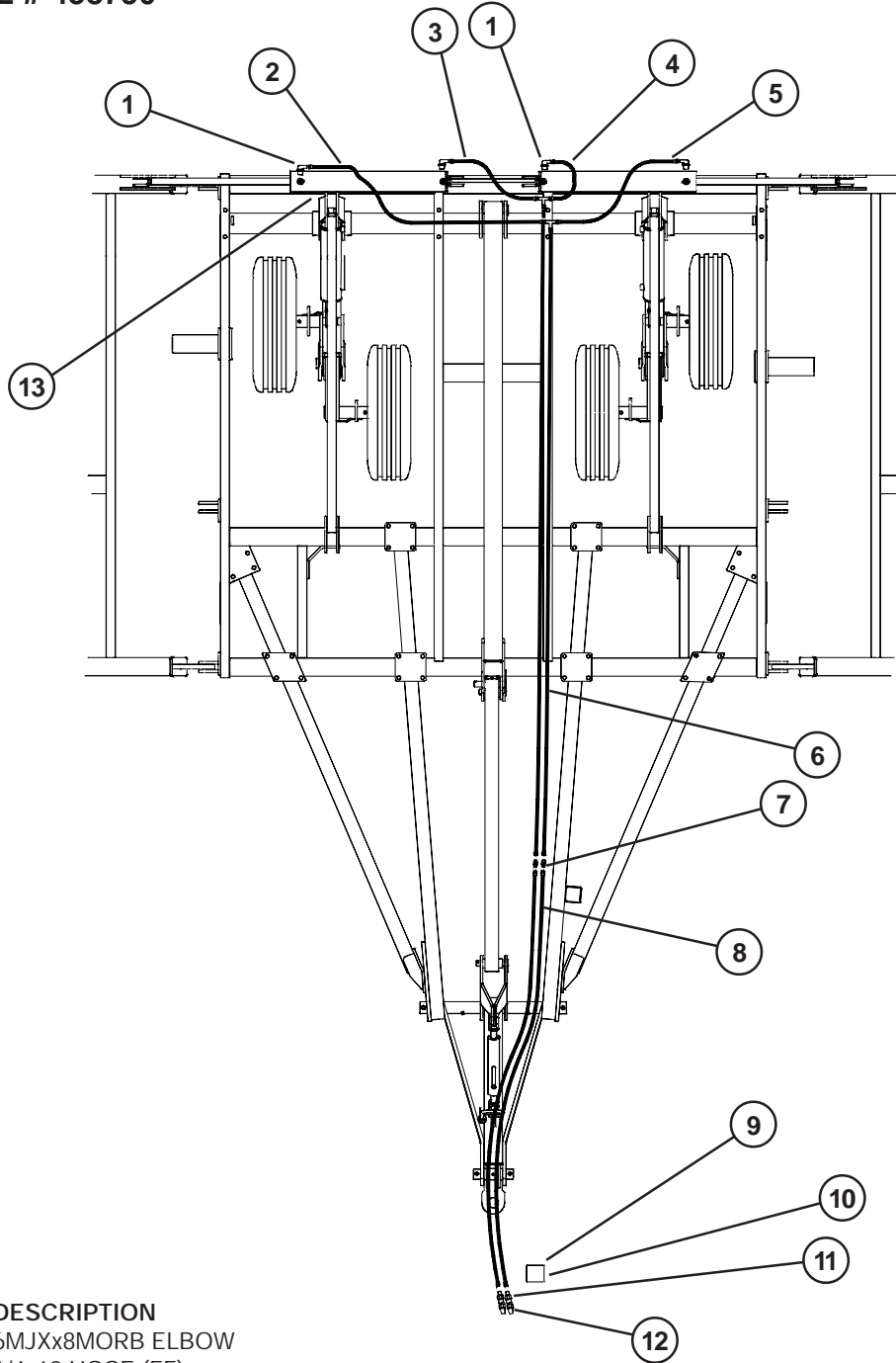
COLUMN	PART #/DESC	SIZE-PORTS	ROD DIA.	PIN DIA.
A	67687F1	4x9.3-SIDE	1-1/2"	1"
B	240433F	4x10.8-SIDE	1-1/2"	1"
C	240432F	4x12.6-SIDE	1-1/2"	1"
A	220761F	4x9.3-IN LINE	1-1/2"	1"
B	67688F1	4x10.8-IN LINE	1-1/2"	1"
C	67683F1	4x12.6-IN LINE	1-1/2"	1"

ITEM	DESCRIPTION	REQ.	A	B	C
1	Barrel	NS	239095	239096	239098
2	Internal Head	NS	233704	233704	233704
3	Thumb Screw	1	88387	88387	88387
4	Screw Collar	1	55665	55665	55665
5	Rod End Clevis	1	67657	67657	67657
6	Set Screw	1	88706	88706	88706
7	HDL S Pin 1x2-3/8	2	42473	42473	42473
8	Roll Pin 1/4x3.12	4	42484	42484	42484
9	Cylinder Rod	1	233703	233706	233708
10	Stop Collars	1	15113	15113	15113
11	Piston	NS	239094	239094	239094
12	Rod Nut	1	233700	233700	233700
13	Seal Kit	1	239904	239904	239904
14	CHEM-CAST SEAL	1	SEAL KIT		
15	HEAD O-RING	1	SEAL KIT		
16	HEAD BACK-UP RING	1	SEAL KIT		
17	ROD WIPER	1	SEAL KIT		
18	LOADED U-CUP	1	SEAL KIT		
19	WEAR RING	1	SEAL KIT		
20	PISTON O-RING	1	SEAL KIT		
21	CHANNEL LOCK (10")	1			220061
22	5/16 X 2-3/4 LYNCH PIN	1			915402



5810-10' MAIN FRAME WING FOLD HYDRAULICS

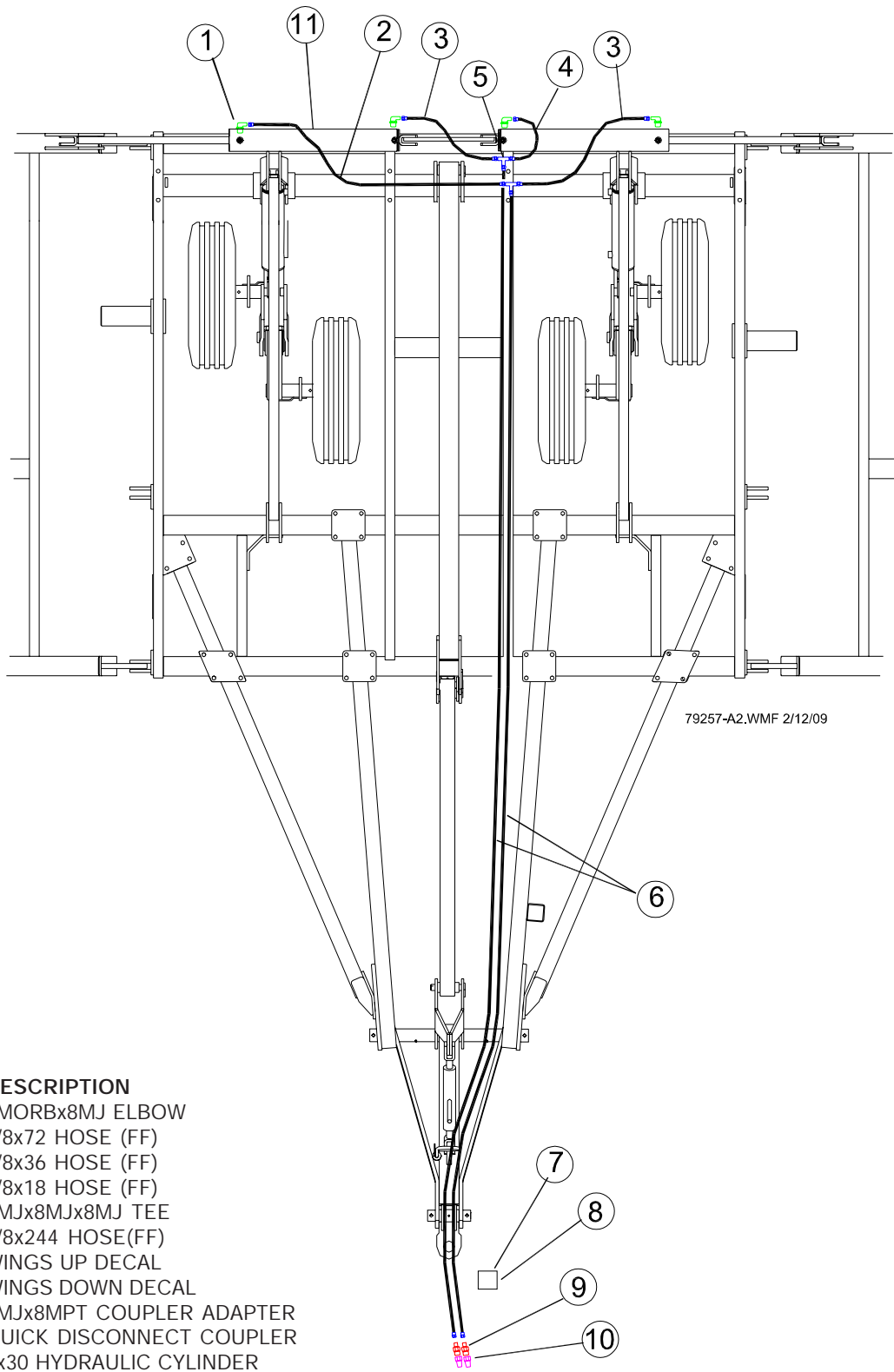
THRU SERIAL # 458750



ITEM	PART NO.	DESCRIPTION
1	24104	6MJXx8MORB ELBOW
2	221717	1/4x68 HOSE (FF)
3	58692	1/4x36 HOSE (FF)
4	65169	1/4x12 HOSE (FF)
5	58692	1/4x36 HOSE (FF)
6	65168	1/4x144 HOSE(FF)
7	63724	6MJx6MJ HOSE UNION
8	63723	1/4x108 HOSE (FF)
9	54900	WINGS UP DECAL
10	54901	WINGS DOWN DECAL
11	58690	6MJx8MPT COUPLER ADAPTER
12	60640	QUICK DISCONNECT COUPLER
13	51229F	4x30 HYDRAULIC CYLINDER

5810-10' MAIN FRAME WING FOLD HYDRAULICS

SERIAL # 458751 & LATER



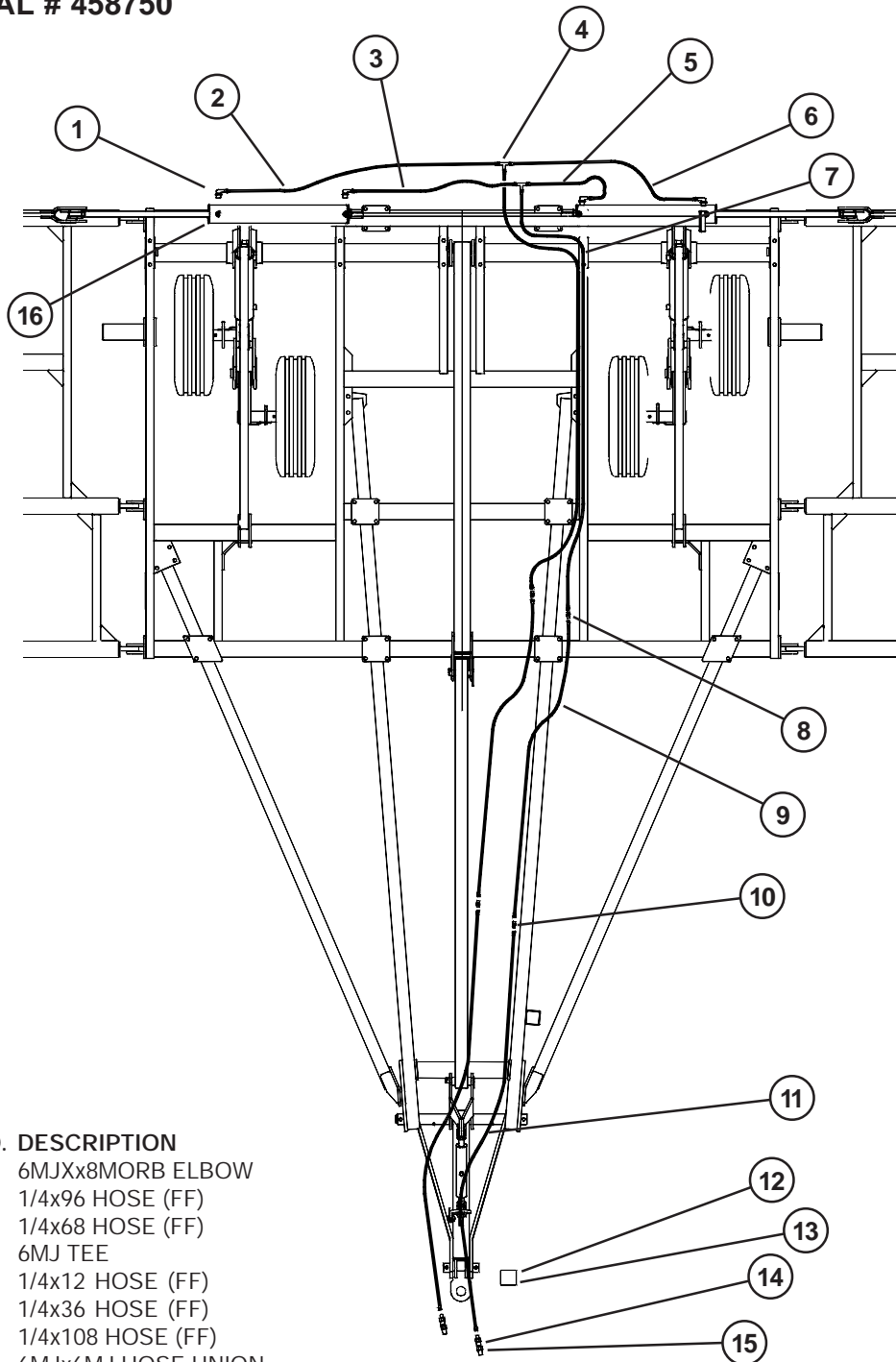
79257-A2.WMF 2/12/09

ITEM	PART NO.	DESCRIPTION
1	25580	8MORBx8MJ ELBOW
2	67636	3/8x72 HOSE (FF)
3	14644	3/8x36 HOSE (FF)
4	14850	3/8x18 HOSE (FF)
5	13238	8MJx8MJx8MJ TEE
6	237155	3/8x244 HOSE(FF)
7	54900	WINGS UP DECAL
8	54901	WINGS DOWN DECAL
9	13234	8MJx8MPT COUPLER ADAPTER
10	60640	QUICK DISCONNECT COUPLER
11	51229F	4x30 HYDRAULIC CYLINDER

5830-13' MAIN FRAME WING FOLD HYDRAULICS

6FT WINGS

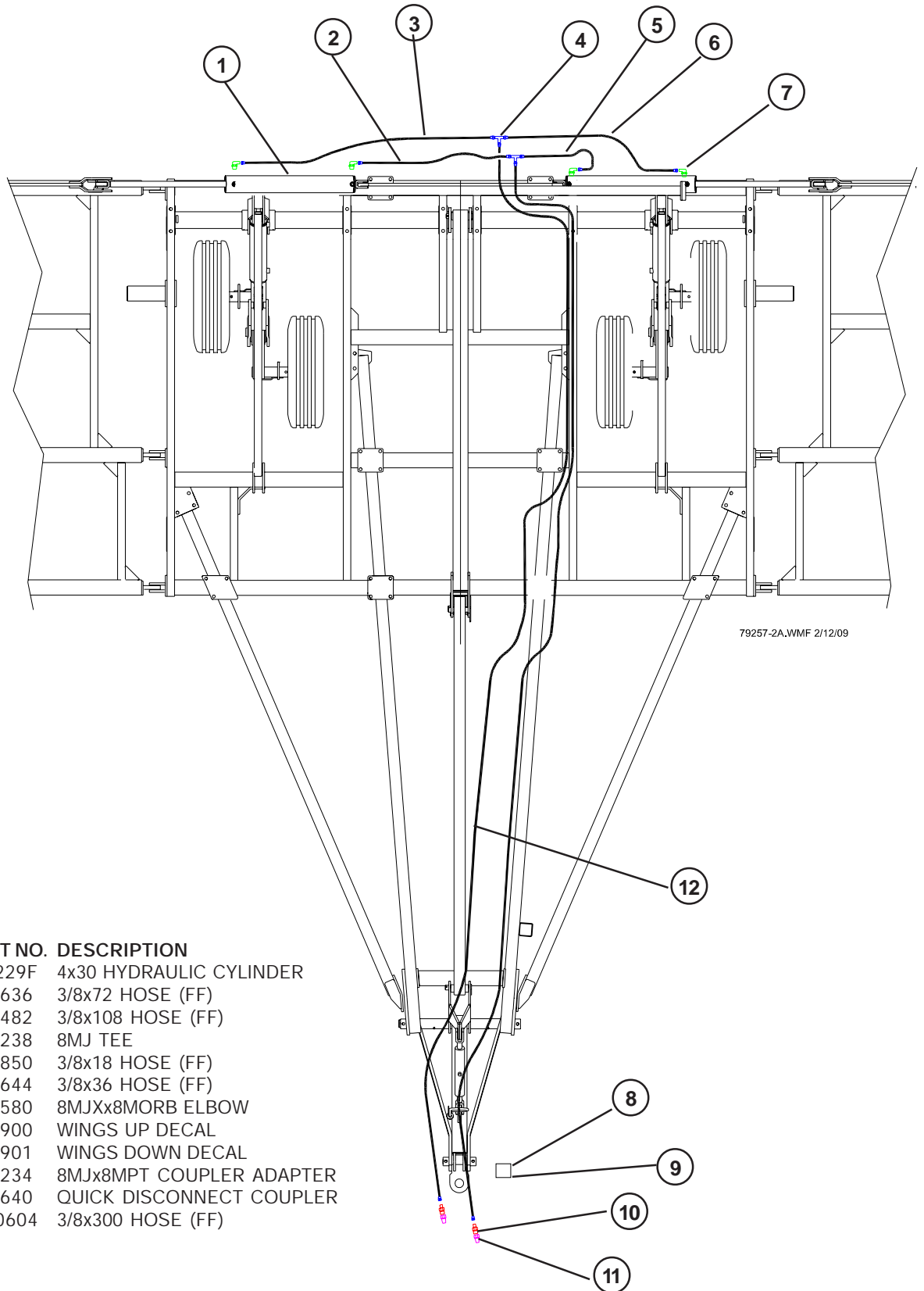
THRU SERIAL # 458750



ITEM	PART NO.	DESCRIPTION
1	24104	6MJx8MORB ELBOW
2	63791	1/4x96 HOSE (FF)
3	221717	1/4x68 HOSE (FF)
4	64346	6MJ TEE
5	65169	1/4x12 HOSE (FF)
6	58692	1/4x36 HOSE (FF)
7	63723	1/4x108 HOSE (FF)
8	63724	6MJx6MJ HOSE UNION
9	63723	1/4x108 HOSE (FF)
10	63724	6MJx6MJ HOSE UNION
11	63791	1/4x96 HOSE (FF)
12	54900	WINGS UP DECAL
13	54901	WINGS DOWN DECAL
14	58690	6MJx8MPT COUPLER ADAPTER
15	60640	QUICK DISCONNECT COUPLER
16	51229F	4x30 HYDRAULIC CYLINDER

5830-13' MAIN FRAME WING FOLD HYDRAULICS

6FT WINGS
SERIAL # 458751 & LATER

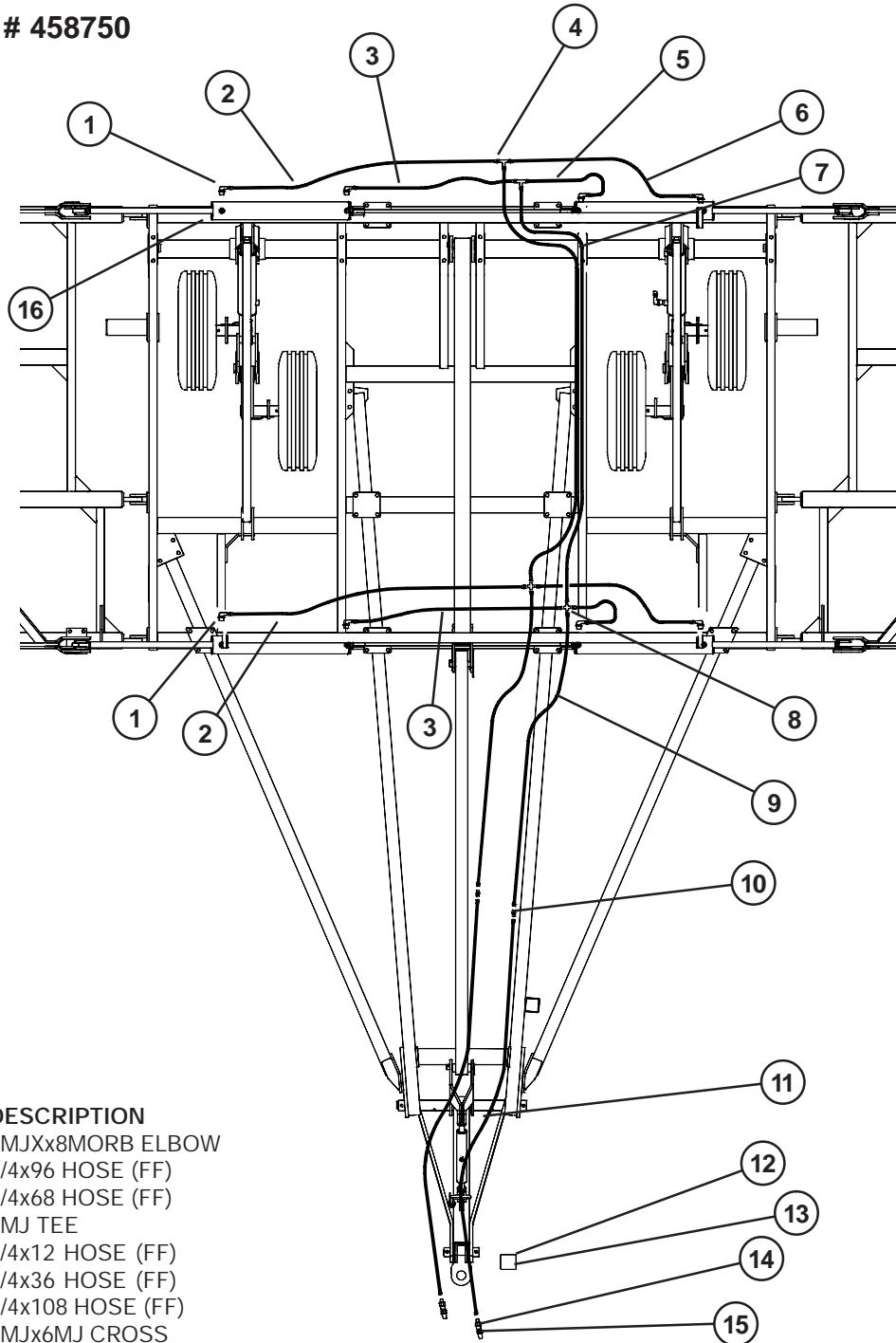


ITEM	PART NO.	DESCRIPTION
1	51229F	4x30 HYDRAULIC CYLINDER
2	67636	3/8x72 HOSE (FF)
3	13482	3/8x108 HOSE (FF)
4	13238	8MJ TEE
5	14850	3/8x18 HOSE (FF)
6	14644	3/8x36 HOSE (FF)
7	25580	8MJx8MORB ELBOW
8	54900	WINGS UP DECAL
9	54901	WINGS DOWN DECAL
10	13234	8MJx8MPT COUPLER ADAPTER
11	60640	QUICK DISCONNECT COUPLER
12	240604	3/8x300 HOSE (FF)

5830-13' MAIN FRAME WING FOLD HYDRAULICS

9FT & 12FT WINGS

THRU SERIAL # 458750

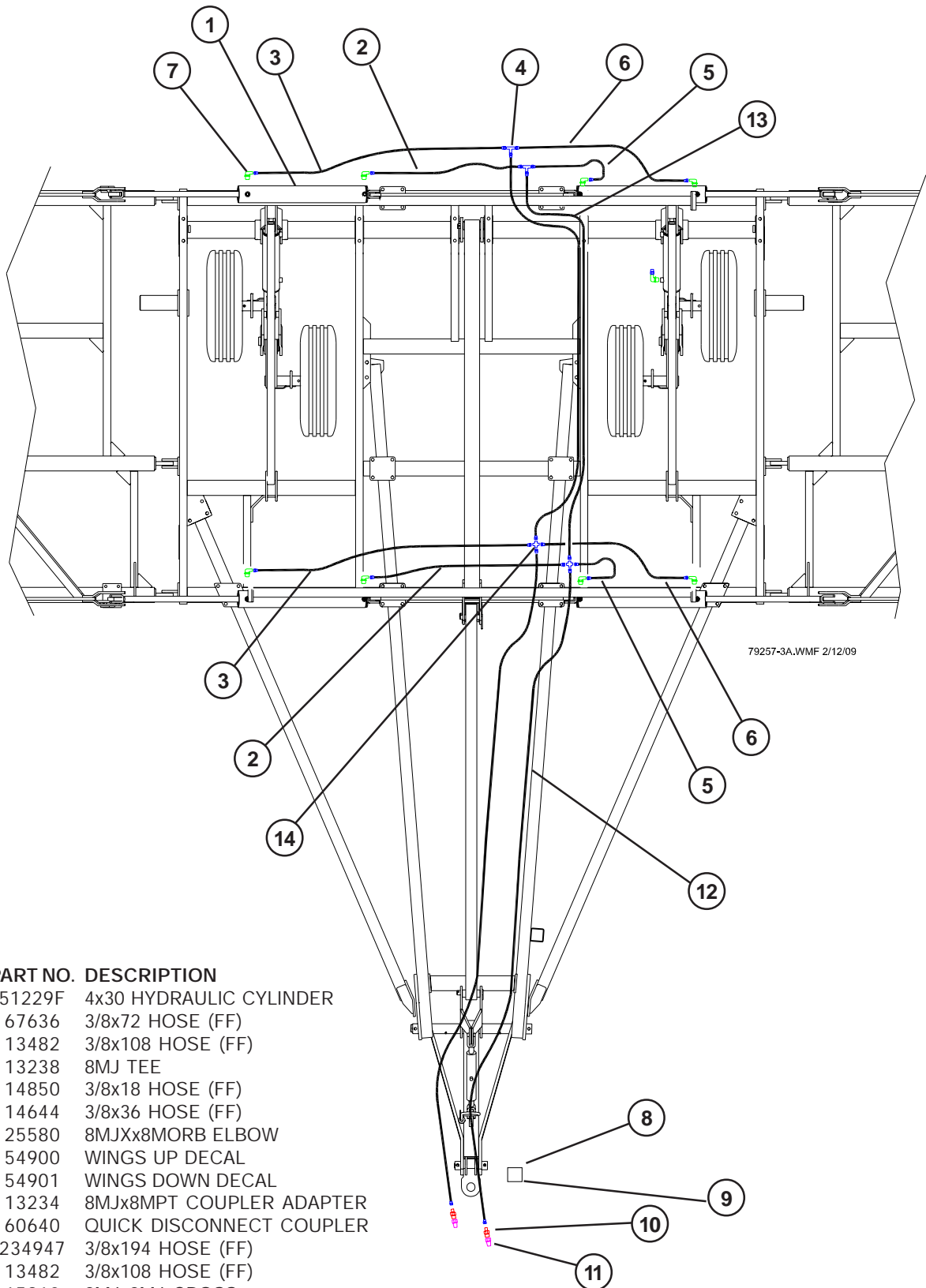


ITEM	PART NO.	DESCRIPTION
1	24104	6MJX8MORB ELBOW
2	63791	1/4x96 HOSE (FF)
3	221717	1/4x68 HOSE (FF)
4	64346	6MJ TEE
5	65169	1/4x12 HOSE (FF)
6	58692	1/4x36 HOSE (FF)
7	63723	1/4x108 HOSE (FF)
8	67130	6MJx6MJ CROSS
9	63723	1/4x108 HOSE (FF)
10	63724	6MJx6MJ HOSE UNION
11	63791	1/4x96 HOSE (FF)
12	54900	WINGS UP DECAL
13	54901	WINGS DOWN DECAL
14	58690	6MJx8MPT COUPLER ADAPTER
15	60640	QUICK DISCONNECT COUPLER
16	51229F	4x30 HYDRAULIC CYLINDER

5830_CPW31-35_CPW37-41_HYD_FOLD.PLT

5830-13' MAIN FRAME WING FOLD HYDRAULICS

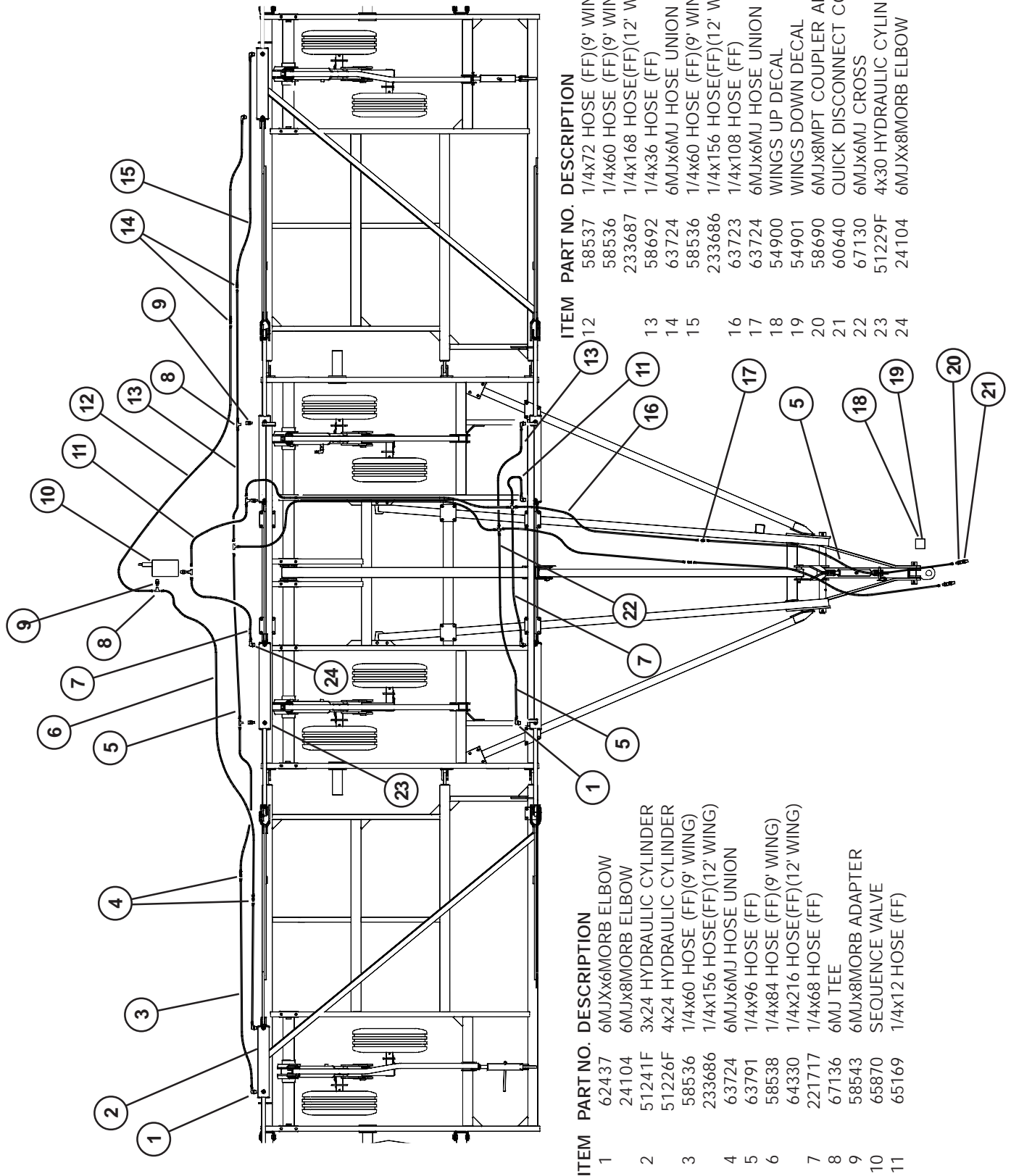
9FT & 12FT WINGS
SERIAL # 458751 & LATER



ITEM	PART NO.	DESCRIPTION
1	51229F	4x30 HYDRAULIC CYLINDER
2	67636	3/8x72 HOSE (FF)
3	13482	3/8x108 HOSE (FF)
4	13238	8MJ TEE
5	14850	3/8x18 HOSE (FF)
6	14644	3/8x36 HOSE (FF)
7	25580	8MJx8MORB ELBOW
8	54900	WINGS UP DECAL
9	54901	WINGS DOWN DECAL
10	13234	8MJx8MPT COUPLER ADAPTER
11	60640	QUICK DISCONNECT COUPLER
12	234947	3/8x194 HOSE (FF)
13	13482	3/8x108 HOSE (FF)
14	15910	8MJx8MJ CROSS

5830-13' MAIN FRAME WING FOLD HYDRAULICS

9FT & 12FT WING
THRU SERIAL # 458750

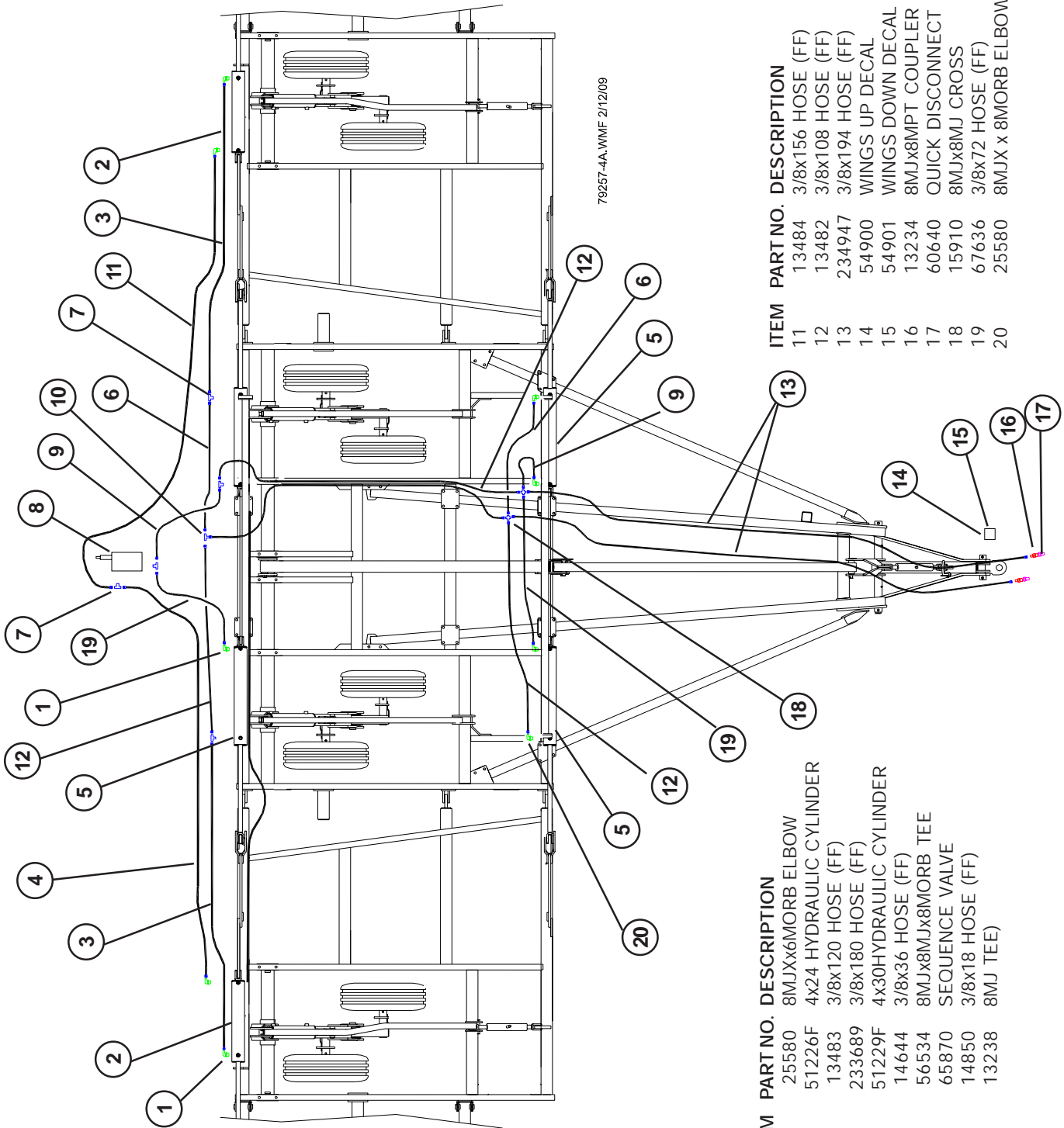


ITEM	PART NO.	DESCRIPTION
1	62437	6MJx6MORB ELBOW
2	24104	6MJx8MORB ELBOW
3	51241F	3x24 HYDRAULIC CYLINDER
4	51226F	4x24 HYDRAULIC CYLINDER
5	58536	1/4x60 HOSE (FF)(9' WING)
6	233686	1/4x156 HOSE(FF)(12' WING)
7	63724	6MJx6MJ HOSE UNION
8	63791	1/4x96 HOSE (FF)
9	58538	1/4x84 HOSE (FF)(9' WING)
10	64330	1/4x216 HOSE(FF)(12' WING)
11	22117	1/4x68 HOSE (FF)
12	67136	6MJ TEE
13	58543	6MJx8MORB ADAPTER
14	65870	SEQUENCE VALVE
15	65169	1/4x12 HOSE (FF)
16	58537	1/4x72 HOSE (FF)(9' WING)
17	58536	1/4x60 HOSE (FF)(9' WING)
18	233687	1/4x168 HOSE(FF)(12' WING)
19	58692	1/4x36 HOSE (FF)
20	63724	6MJx6MJ HOSE UNION
21	58536	1/4x60 HOSE (FF)(9' WING)
22	233686	1/4x156 HOSE(FF)(12' WING)
23	63723	1/4x108 HOSE (FF)
24	63724	6MJx6MJ HOSE UNION

5830-13' MAIN FRAME WING FOLD HYDRAULICS

9FT WING
SERIAL # 458751 & LATER

79257-4A-WMF 2/12/09

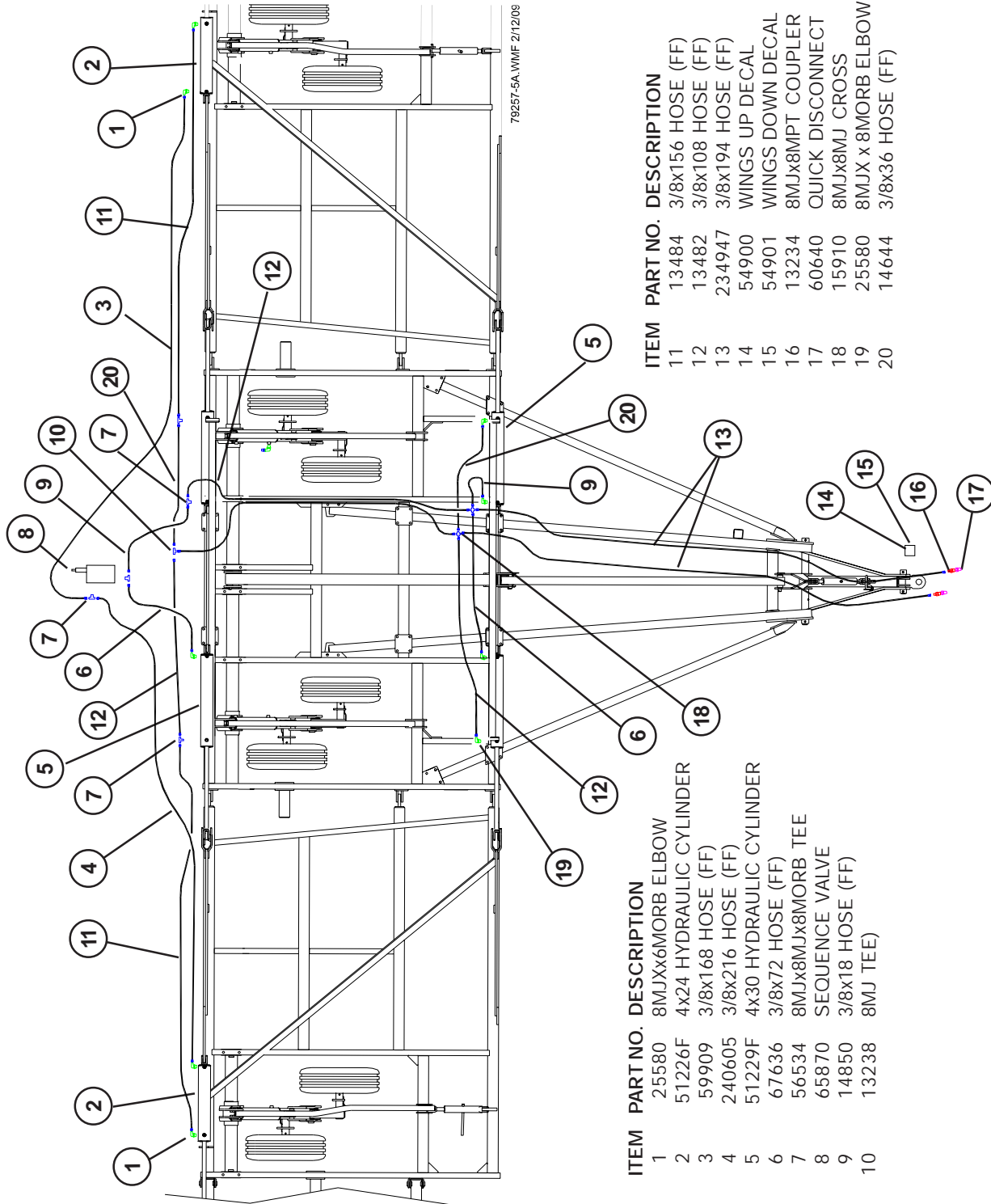


ITEM	PART NO.	DESCRIPTION
11	13484	3/8x156 HOSE (FF)
12	13482	3/8x108 HOSE (FF)
13	234947	3/8x194 HOSE (FF)
14	54900	WINGS UP DECAL
15	54901	WINGS DOWN DECAL
16	13234	8MJx8MPT COUPLER
17	60640	QUICK DISCONNECT
18	15910	8MJx8MJ CROSS
19	67636	3/8x72 HOSE (FF)
20	25580	8MJ x 8MORB ELBOW

ITEM	PART NO.	DESCRIPTION
1	25580	8MJx6MORB ELBOW
2	51226F	4x24 HYDRAULIC CYLINDER
3	13483	3/8x120 HOSE (FF)
4	233689	3/8x180 HOSE (FF)
5	51229F	4x30HYDRAULIC CYLINDER
6	14644	3/8x36 HOSE (FF)
7	56534	8MJx8MJx8MORB TEE
8	65870	SEQUENCE VALVE
9	14850	3/8x18 HOSE (FF)
10	13238	8MJ TEE

5830-13' MAIN FRAME WING FOLD HYDRAULICS

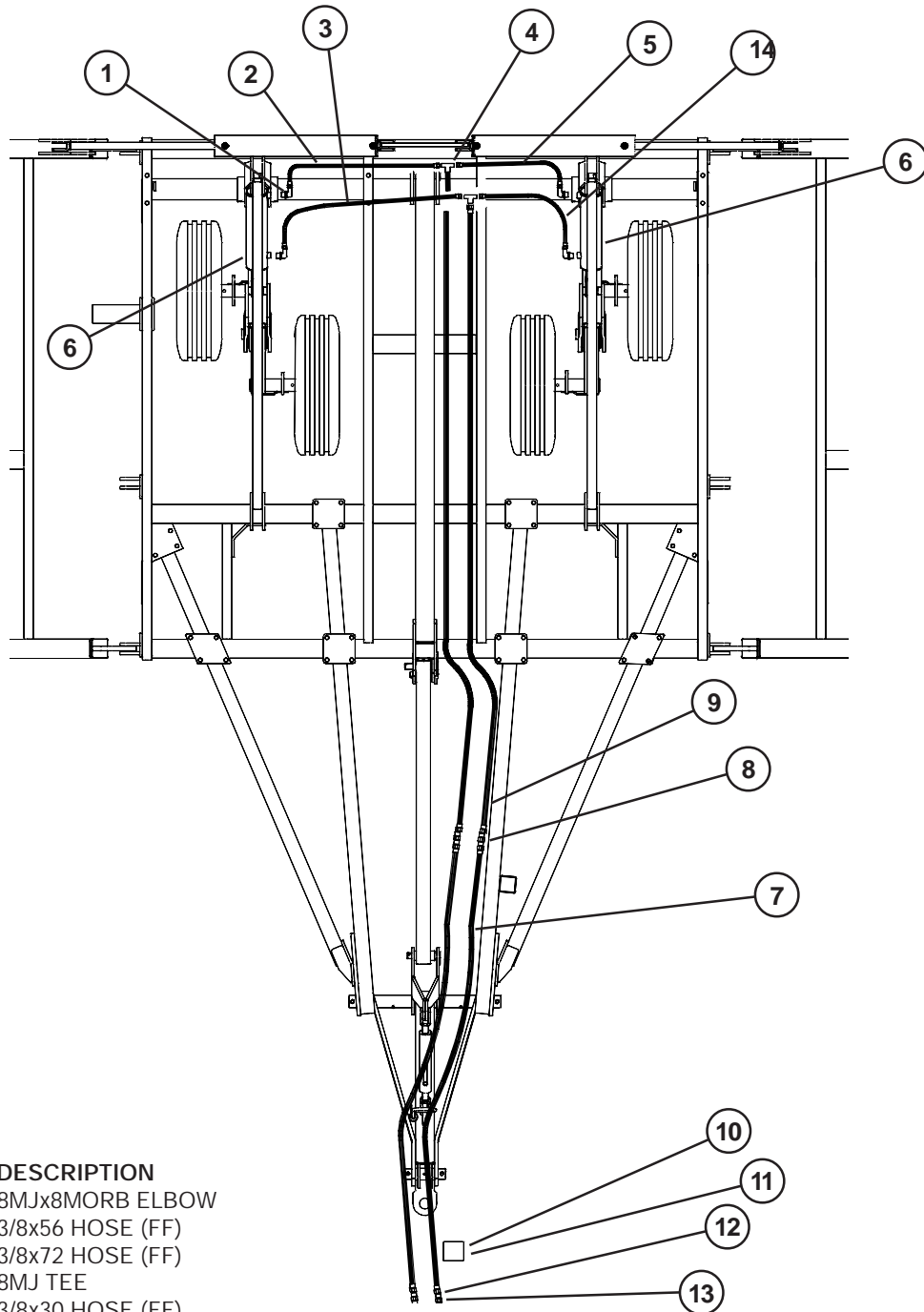
12FT WING
SERIAL # 458751 & LATER



ITEM	PART NO.	DESCRIPTION
1	25580	8MJx6MORB ELBOW
2	51226F	4x24 HYDRAULIC CYLINDER
3	59909	3/8x168 HOSE (FF)
4	240605	3/8x216 HOSE (FF)
5	51229F	4x30 HYDRAULIC CYLINDER
6	67636	3/8x72 HOSE (FF)
7	56534	8MJx8MJx8MORB TEE
8	65870	SEQUENCE VALVE
9	14850	3/8x18 HOSE (FF)
10	13238	8MJ TEE)

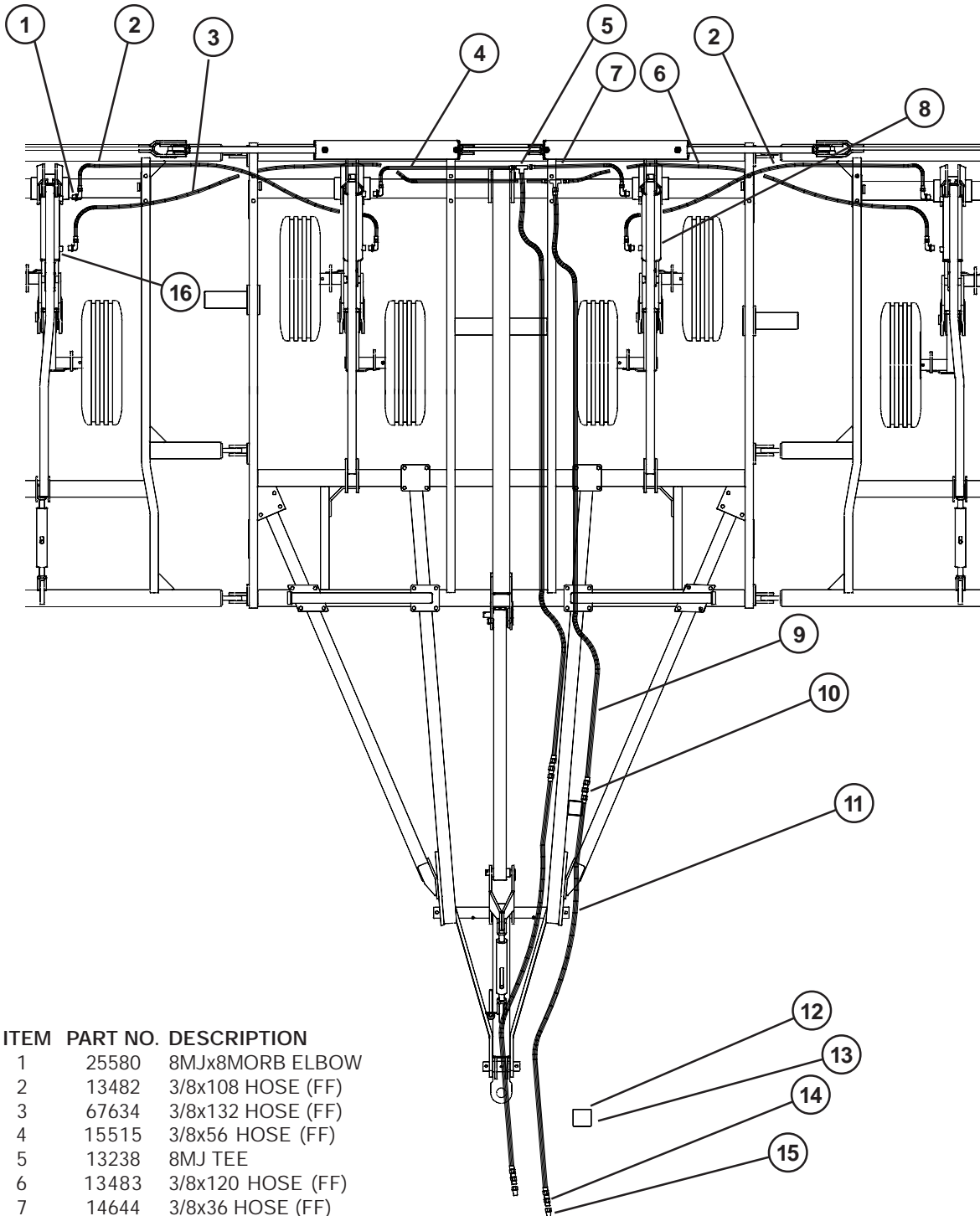
ITEM	PART NO.	DESCRIPTION
11	13484	3/8x156 HOSE (FF)
12	13482	3/8x108 HOSE (FF)
13	234947	3/8x194 HOSE (FF)
14	54900	WINGS UP DECAL
15	54901	WINGS DOWN DECAL
16	13234	8MJx8MPT COUPLER
17	60640	QUICK DISCONNECT
18	15910	8MJx8MJ CROSS
19	25580	8MJ x 8MORB ELBOW
20	14644	3/8x36 HOSE (FF)

5810-10' MAIN FRAME MAIN LIFT HYDRAULICS



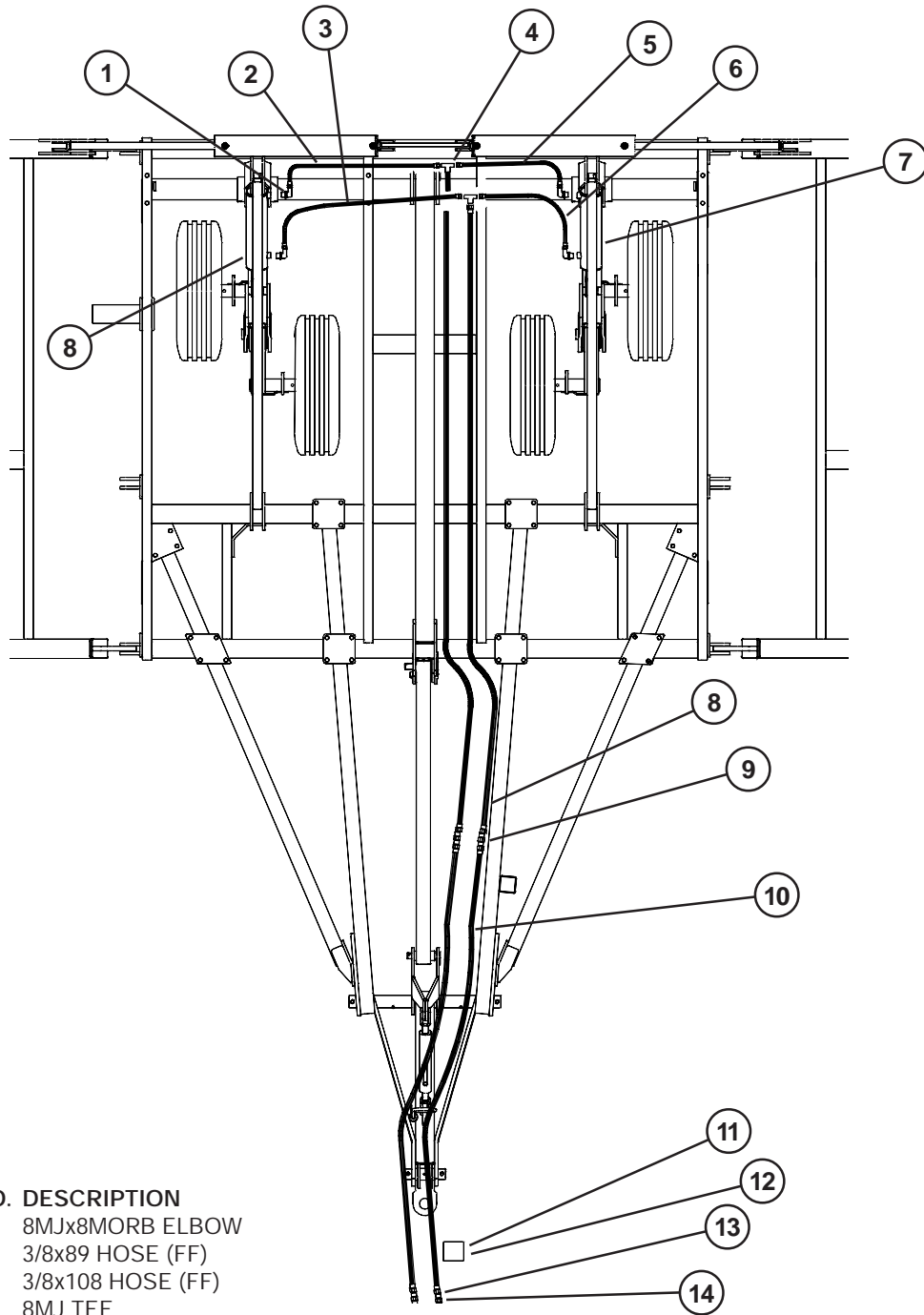
ITEM	PART NO.	DESCRIPTION
1	25580	8MJx8MORB ELBOW
2	13265	3/8x56 HOSE (FF)
3	67636	3/8x72 HOSE (FF)
4	13238	8MJ TEE
5	13261	3/8x30 HOSE (FF)
6	67683F1	4x12.6 HYDRAULIC CYLINDER
7	245010	1/2x108 HOSE (FF)
8	13239	8MJx8MJ HOSE UNION
9	240277	1/2x168 HOSE (FF)
10	54902	MAIN UP DECAL
11	54903	MAIN DOWN DECAL
12	13234	8MJx8MPT COUPLER ADAPTER
13	60640	QUICK DISCONNECT COUPLER
14	14644	3/8 X 36 HOSE (FF)

5810-10' MAIN FRAME MAIN LIFT HYDRAULICS



ITEM	PART NO.	DESCRIPTION
1	25580	8MJx8MORB ELBOW
2	13482	3/8x108 HOSE (FF)
3	67634	3/8x132 HOSE (FF)
4	15515	3/8x56 HOSE (FF)
5	13238	8MJ TEE
6	13483	3/8x120 HOSE (FF)
7	14644	3/8x36 HOSE (FF)
8	67683F1	4x12.6 HYDRAULIC CYLINDER
9	240277	1/2x168 HOSE (FF)
10	13239	8MJx8MJ HOSE UNION
11	245140	1/2x108 HOSE (FF)
12	54902	MAIN UP DECAL
13	54903	MAIN DOWN DECAL
14	13234	8MJx8MPT COUPLER ADAPTER
15	60640	QUICK DISCONNECT COUPLER
16	67688F1	4x10.8 HYDRAULIC CYLINDER

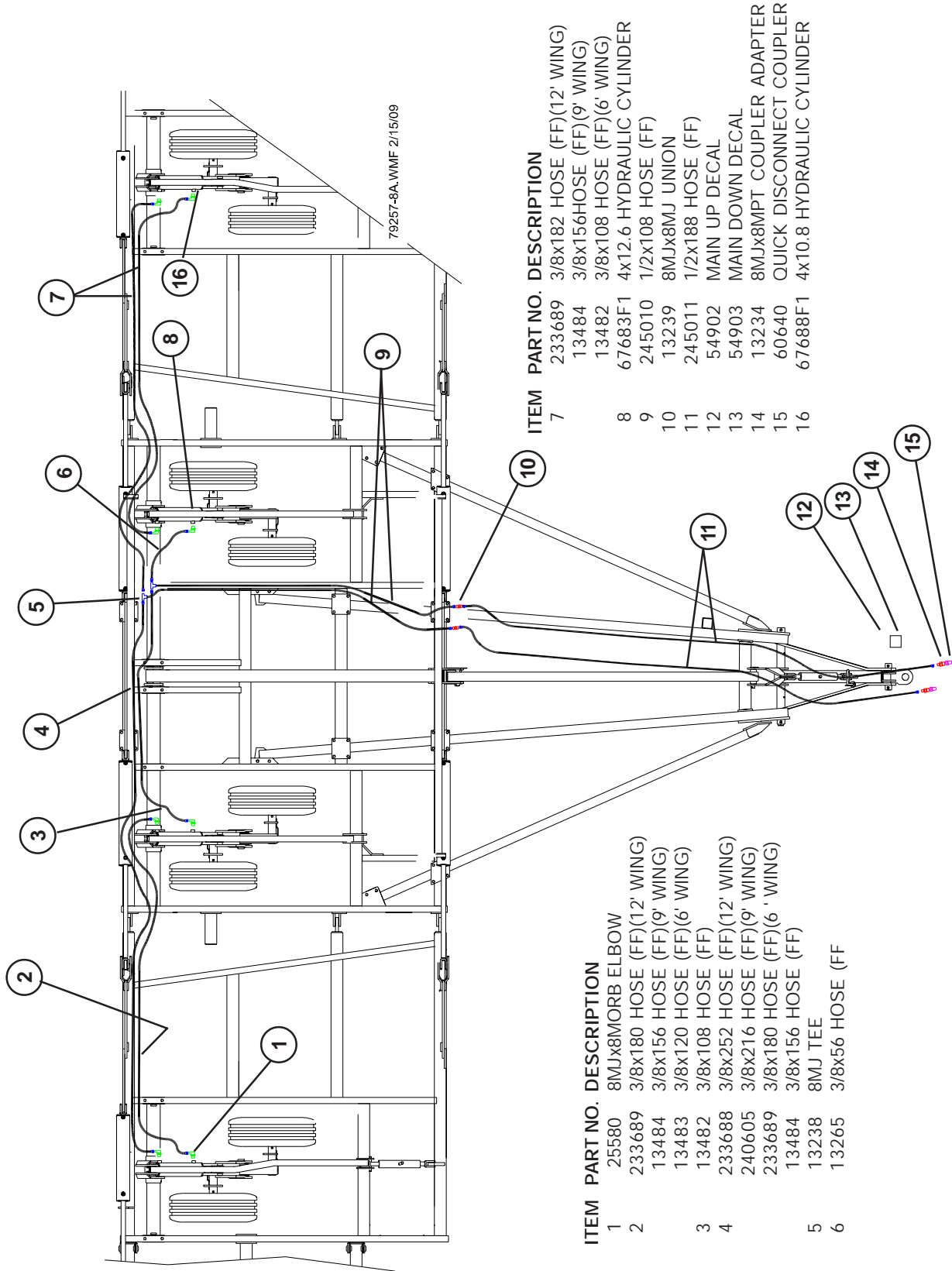
5830-13' MAIN FRAME MAIN LIFT HYDRAULICS



ITEM	PART NO.	DESCRIPTION
1	25580	8MJx8MORB ELBOW
2	56540	3/8x89 HOSE (FF)
3	13482	3/8x108 HOSE (FF)
4	13238	8MJ TEE
5	13261	3/8x30 HOSE (FF)
6	14851	3/8x42 HOSE (FF)
7	67683F1	4x12.6 HYDRAULIC CYLINDER
8	245011	1/2x188 HOSE (FF)
9	13239	8MJx8MJ HOSE UNION
10	245010	1/2x108 HOSE (FF)
11	54902	MAIN UP DECAL
12	54903	MAIN DOWN DECAL
13	13234	8MJx8MPT COUPLER ADAPTER
14	60640	QUICK DISCONNECT COUPLER

5830-13' MAIN FRAME MAIN LIFT HYDRAULICS

SERIAL # 458751 & LATER

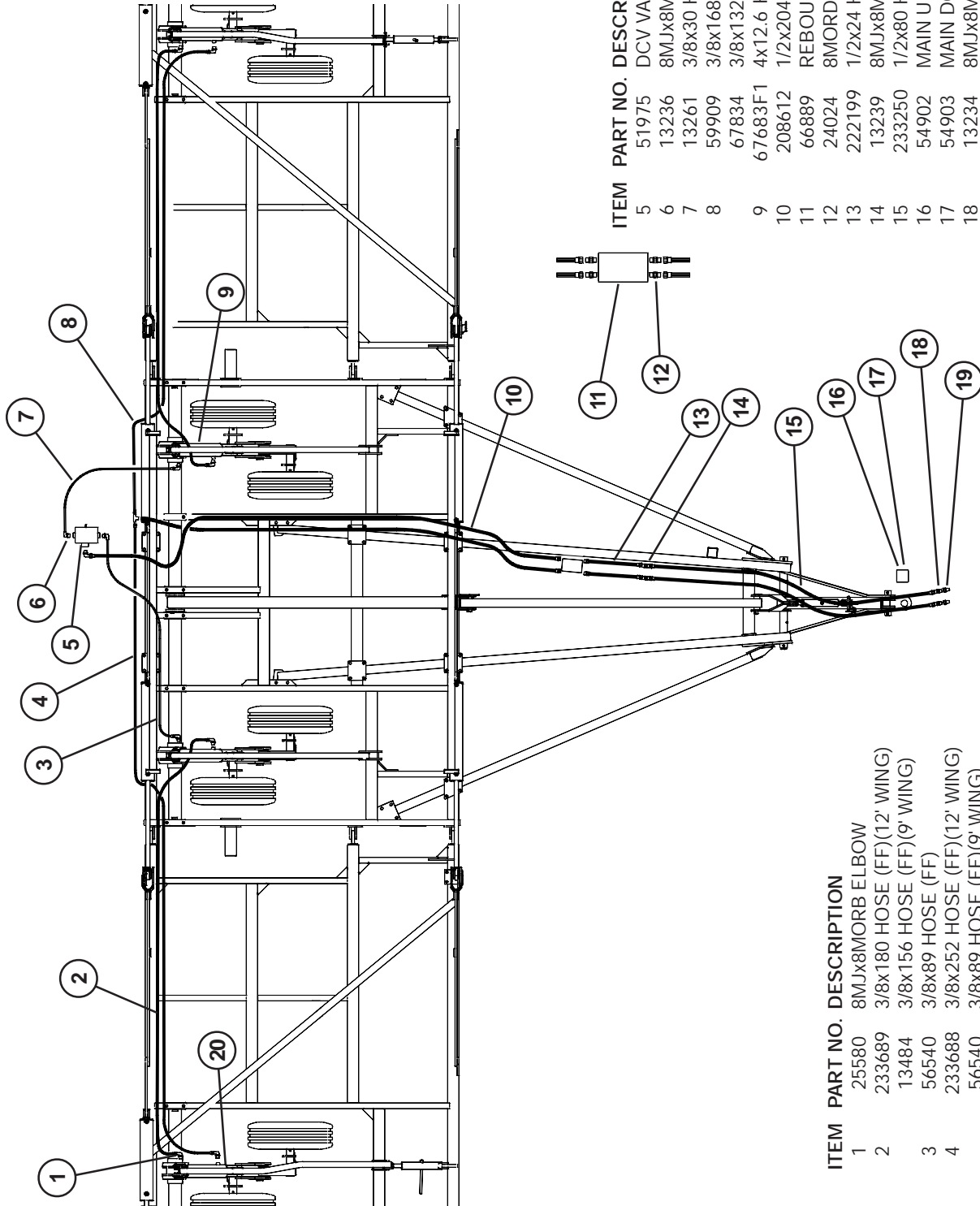


ITEM	PART NO.	DESCRIPTION
1	25580	8MJx8MORB ELBOW
2	233689	3/8x180 HOSE (FF)(12' WING)
	13484	3/8x156 HOSE (FF)(9' WING)
	13483	3/8x120 HOSE (FF)(6' WING)
3	13482	3/8x108 HOSE (FF)
4	233688	3/8x252 HOSE (FF)(12' WING)
	240605	3/8x216 HOSE (FF)(9' WING)
	233689	3/8x180 HOSE (FF)(6' WING)
	13484	3/8x156 HOSE (FF)
5	13238	8MJ TEE
6	13265	3/8x56 HOSE (FF)

ITEM	PART NO.	DESCRIPTION
7	233689	3/8x182 HOSE (FF)(12' WING)
	13484	3/8x156 HOSE (FF)(9' WING)
	13482	3/8x108 HOSE (FF)(6' WING)
8	67683F1	4x12.6 HYDRAULIC CYLINDER
9	245010	1/2x108 HOSE (FF)
10	13239	8MJx8MJ UNION
11	245011	1/2x188 HOSE (FF)
12	54902	MAIN UP DECAL
13	54903	MAIN DOWN DECAL
14	13234	8MJx8MPT COUPLER ADAPTER
15	60640	QUICK DISCONNECT COUPLER
16	67688F1	4x10.8 HYDRAULIC CYLINDER

5830-13' MAIN FRAME MAIN LIFT HYDRAULICS

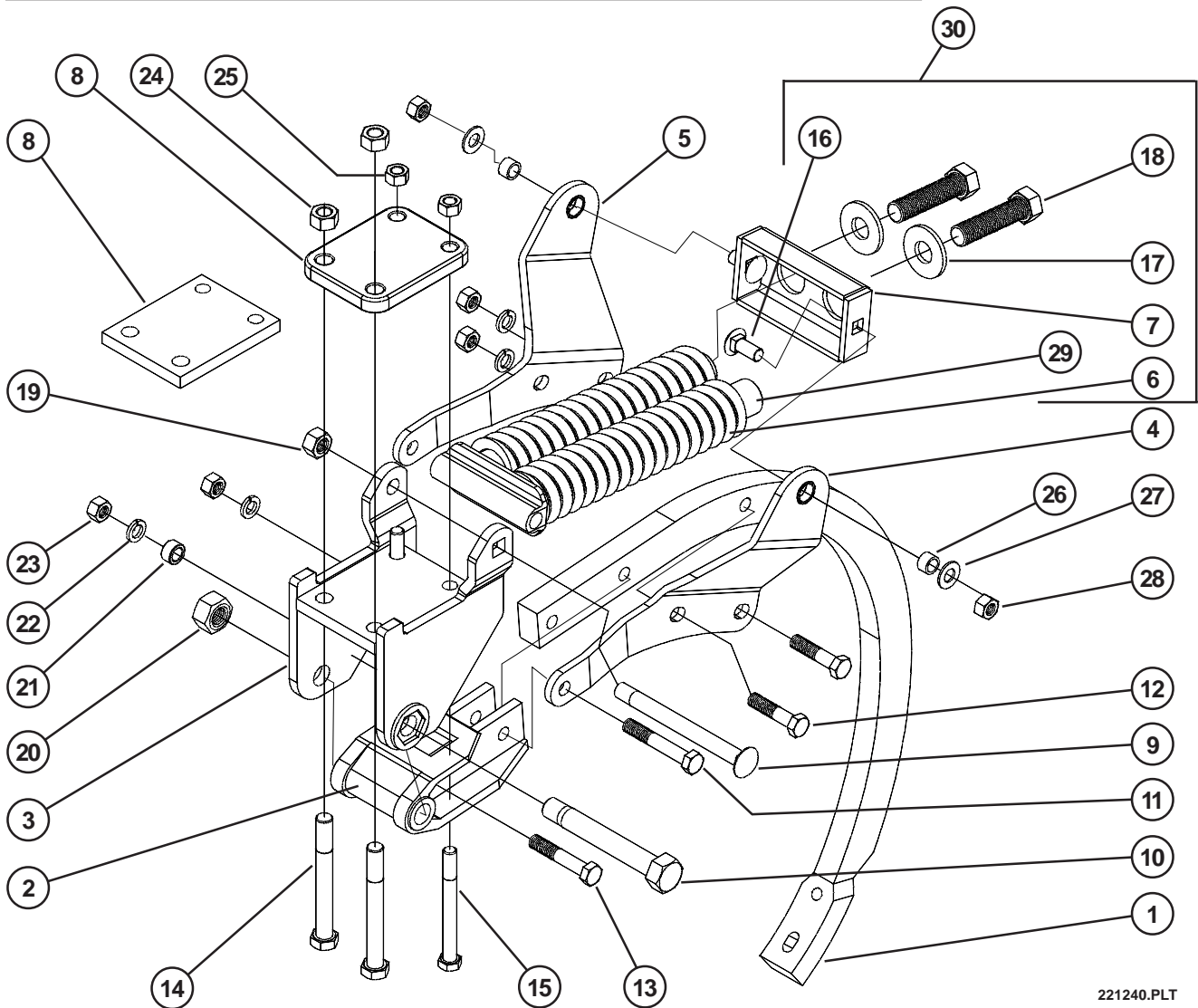
THRU SERIAL # 458750



ITEM	PART NO.	DESCRIPTION
5	51975	DCV VALVE
6	13236	8MJx8MPT ELBOW
7	13261	3/8x30 HOSE (FF)
8	59909	3/8x168 HOSE (FF)(12' WING)
	67834	3/8x132 HOSE (FF)(9' WING)
9	67683F1	4x12.6 HYDRAULIC CYLINDER
10	208612	1/2x204 HOSE (FF)
11	66889	REBOUND VALVE
12	24024	8MORDx8MJ ADAPTER
13	222199	1/2x24 HOSE (MF)
14	13239	8MJx8MJ UNION
15	233250	1/2x80 HOSE (FF)
16	54902	MAIN UP DECAL
17	54903	MAIN DOWN DECAL
18	13234	8MJx8MPT COUPLER ADAPTER
19	60640	QUICK DISCONNECT COUPLER
20	67688F1	4x10.8 HYDRAULIC CYLINDER

ITEM	PART NO.	DESCRIPTION
1	25580	8MJx8MORB ELBOW
2	233689	3/8x180 HOSE (FF)(12' WING)
	13484	3/8x156 HOSE (FF)(9' WING)
3	56540	3/8x89 HOSE (FF)
4	233688	3/8x252 HOSE (FF)(12' WING)
	56540	3/8x89 HOSE (FF)(9' WING)
	13580	3/8x96 HOSE (FF)(9' WING)

1000 LB CP SHANK ASSEMBLY - FLAT MOUNT

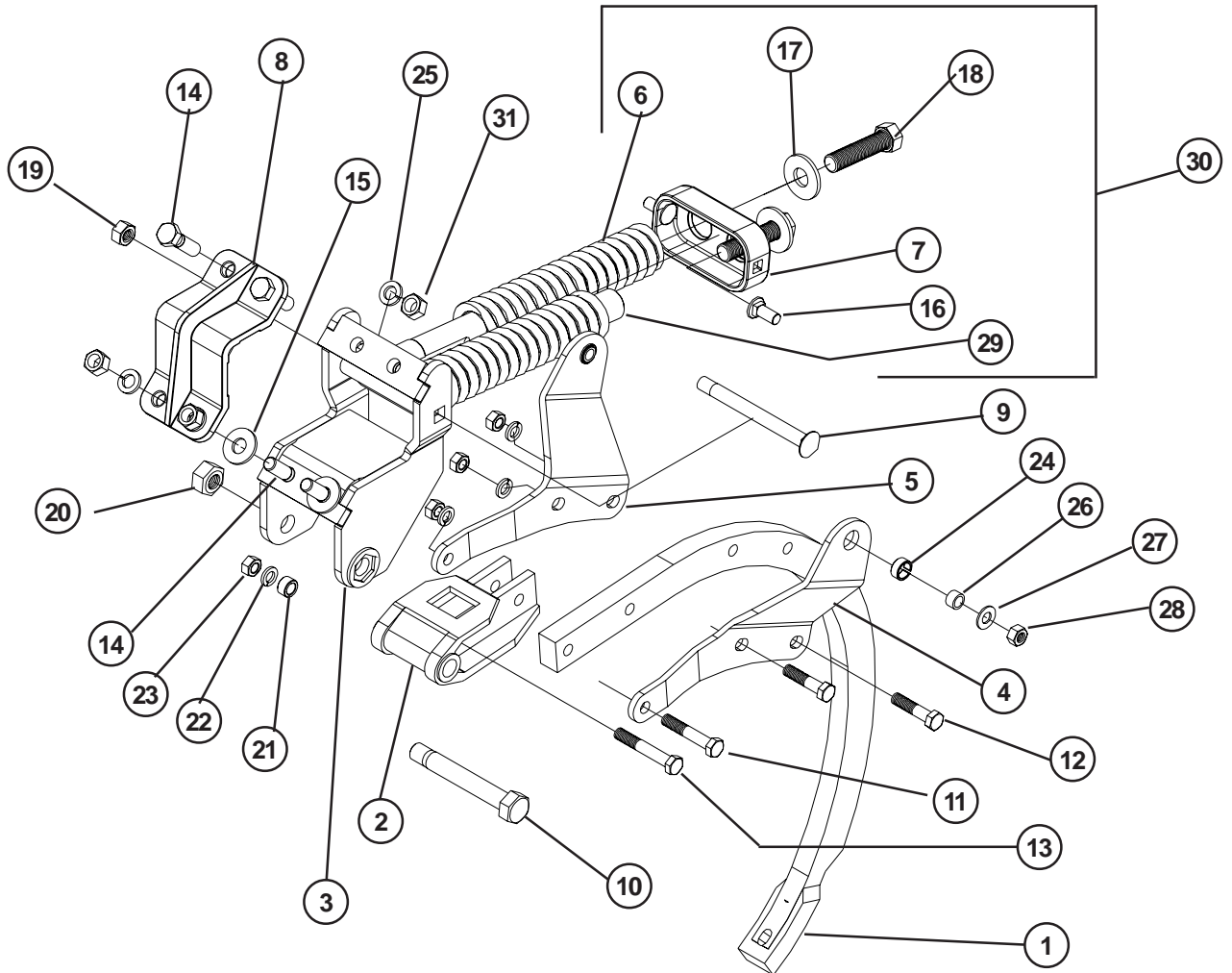


221240.PLT

ITEM	PART NO.	DESCRIPTION	ITEM	PART NO.	DESCRIPTION
1	64977	SHANK (GRAY)	15	88933	5/8NCx6 GR8 BOLT
2	67196	CAST SHANK HOLDER	16	89154	5/8NCx1-1/2SHTNCK CARRIAGE BOLT
3	221193	SHANK BRACKET	17	88196	WSHR FLAT 1(1-1/16x2-1/2ACT)
4	221194	SIDE PLATE LH	18	66226	1NCx4 GR2 HVY HEX BLT W/NYLK
5	221195	SIDE PLATE RH	19	88356	NUT 2POSLK 3/4NC
6	23378	COMPRESSION SPRING (GRAY)	20	88169	NUT 2POSLK 1NF
7	65373C	SPRING RETAINER	21	56932	9/16 x 1 SPACER
8	234084	CAST TOP PLATE (GRAY)	22	88129	WSHR HLK 5/8ID(11/16ACT)
	221196	MOUNT PLATE - PAINTED	23	88126	NUT HEX 5/8NC
9	69030	3/4NC-2A GR8 CARRIAGE BOLT	24	89386	NUT NYL 3/4NF
10	14987	PIVOT BOLT (CP SHANK)	25	88627	NUT NLK 5/8NC
11	88945	5/8NCx4 GR GR8 BOLT	26	64978	BUSHING
12	88949	5/8NCx2-3/4 GR8 BOLT	27	88630	WSHR FLT 5/8SAE(21/32X1-5/16)
13	88292	5/8NCx3-1/2 GR5 BOLT	28	89158	NUT TOP LK 5/8NC
14	89385	3/4NFx6-1/2 GR8 BOLT	29	222037	SPRING BRACKET
			30	223527	COMPRESSION SPRING PACKAGE

COMPARE THE SHANK COMPONENTS TO DEFINE SERVICE PARTS REQUIRED

1000 LB CP SHANK ASSEMBLY - CORNER MOUNT



221240.PLT

ITEM PART NO. DESCRIPTION

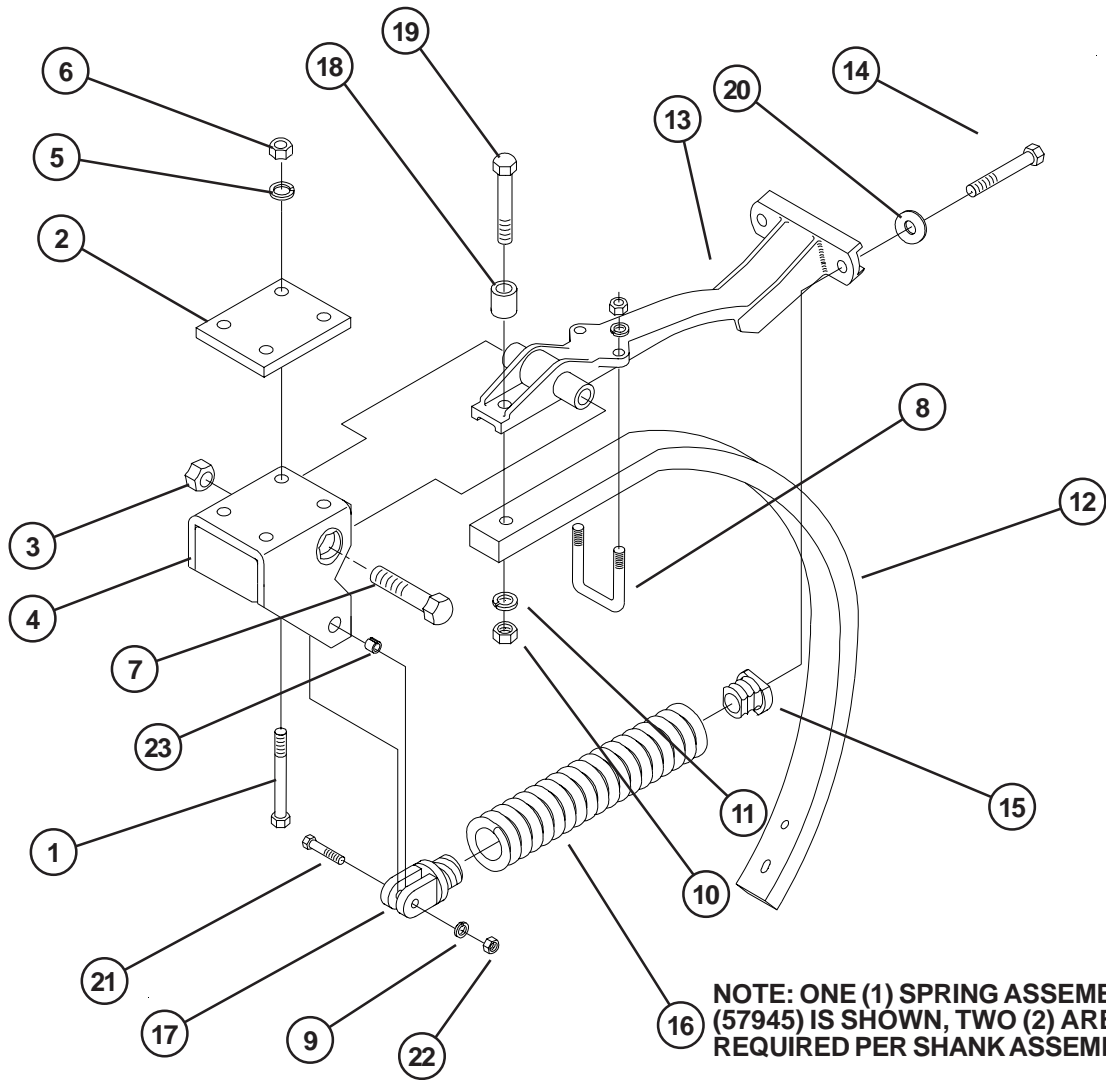
1	64977	SHANK (GRAY)
2	67196	CAST SHANK HOLDER
3	235773	CHISEL PLOW SHANK HOLDER
4	221194	SIDE PLATE LH
5	221195	SIDE PLATE RH
6	23378	COMPRESSION SPRING (GRAY)
7	65373C	SPRING RETAINER
8	235768	CAST CORNER CAP (GRAY)
9	69030	3/4NC-2A GR8 CARRIAGE BOLT
10	14987	PIVOT BOLT (CP SHANK)
11	88945	5/8NCx4 GR GR8 BOLT
12	88949	5/8NCx2-3/4 GR8 BOLT
13	88292	5/8NCx3-1/2 GR5 BOLT
14	89433	3/4NCx2-1/4 GR5 BOLT
15	88131	WSHR FLAT 3/4(13/16X2ACT) Z

ITEM PART NO. DESCRIPTION

16	89154	5/8NCx1-1/2SHTNCK CARRIAGE BOLT
17	88196	WSHR FLAT 1(1-1/16x2-1/2ACT)
18	66226	1NCx4 GR2 HVY HEX BLT W/NYLK
19	88356	NUT 2POS LK 3/4NC
20	88169	NUT 2POS LK 1NF
21	56932	9/16 x 1 SPACER
22	88129	WSHR HLK 5/8ID(11/16ACT)
23	88126	NUT HEX 5/8NC
24	64967	SPRING TENSION BUSHING
25	88130	WSHR HLK 3/4ID(13/16ACT) Z
26	64978	BUSHING
27	88630	WSHR FLT 5/8SAE(21/32X1-5/16)
28	89158	NUT TOP LK 5/8NC
29	222037	SPRING BRACKET
30	223527	COMPRESSION SPRING PACKAGE
31	88110	NUT HEX 3/4NC

COMPARE THE SHANK COMPONENTS TO DEFINE SERVICE PARTS REQUIRED

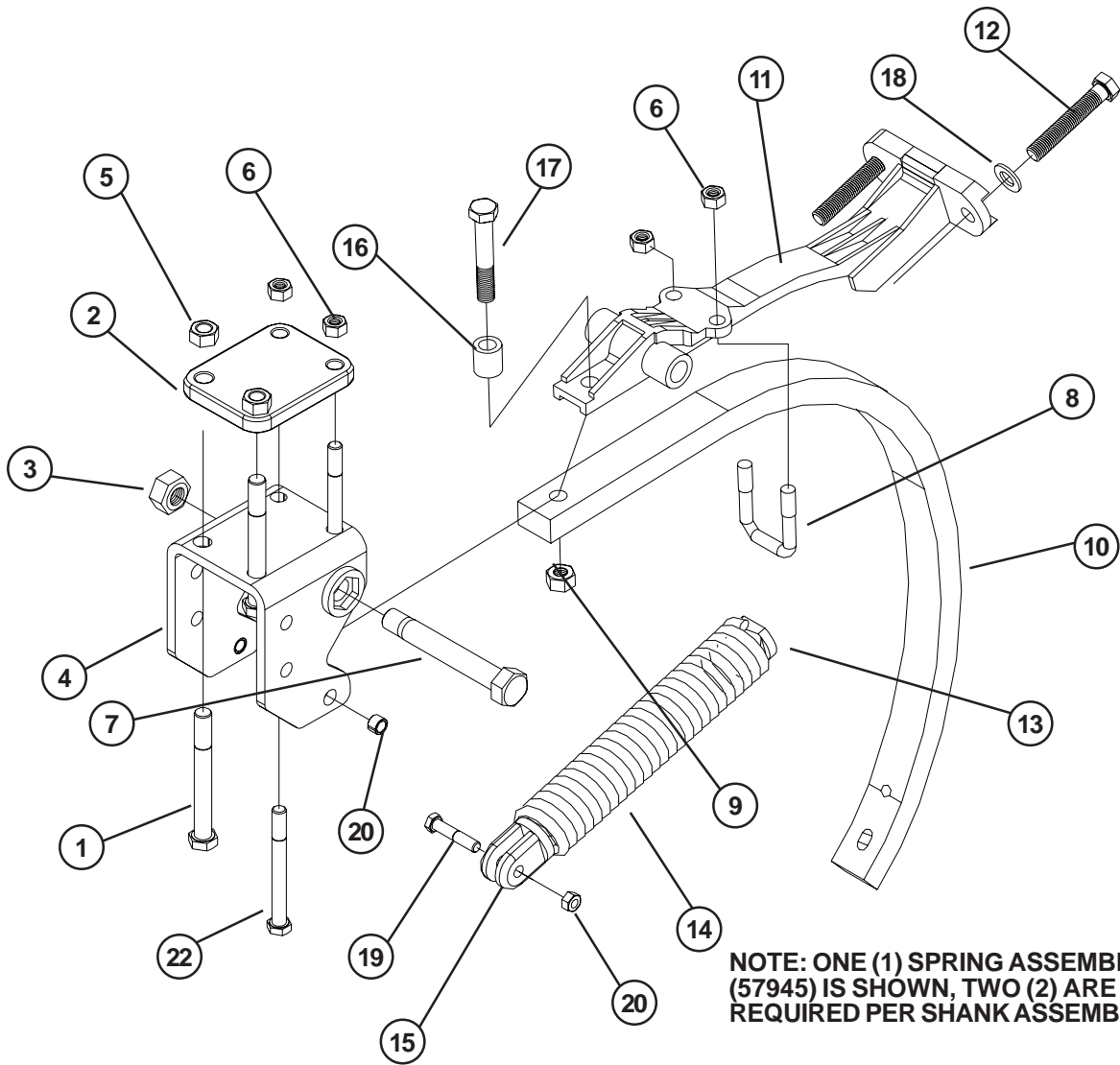
650 LB CP SHANK ASSEMBLY - PRE 2009



ITEM	PART NO	DESCRIPTION
	57969	32" 54° CP Shank Assembly
	57966	16.12° Spring Assembly (32") (Includes Items 15-17)
1	88295	5/8NCx6 GR5 Bolt
2	12751	Frame Plate
3	88169	1NF Lock Nut
4	57941	Shank Holder Frame
5	88129	5/8 Lock Washer
6	88126	5/8NC Nut
7	14987	Pivot Bolt
8	88441	5/8NCx2x3-1/4 U-Bolt
9	88303	1/2 Lock Washer

ITEM	PART NO	DESCRIPTION
10	89080	3/4NC Nut
11	88130	3/4 Lock Washer
12	55485	32" 54° CP Shank
13	62591	Shank Holder
14	10210	Adjustment Bolt
15	57948	Cast Spring Plug
16	57961	13-15/16 Extension Spring (32")
17	57946	Spring Clevis
18	62639	Stop Collar
19	88421	3/4NCx4-1/2 GR5 Bolt
20	88548	3/4 SAE Flat Washer(13/16x1-1/2)
21	58032	1/2NCx2-1/2 HDN Bolt
22	88621	1/2NC Nylock Nut
23	56908	1/2 Spring Tension Bushing

650 LB CP SHANK ASSEMBLY - 2009 & UP



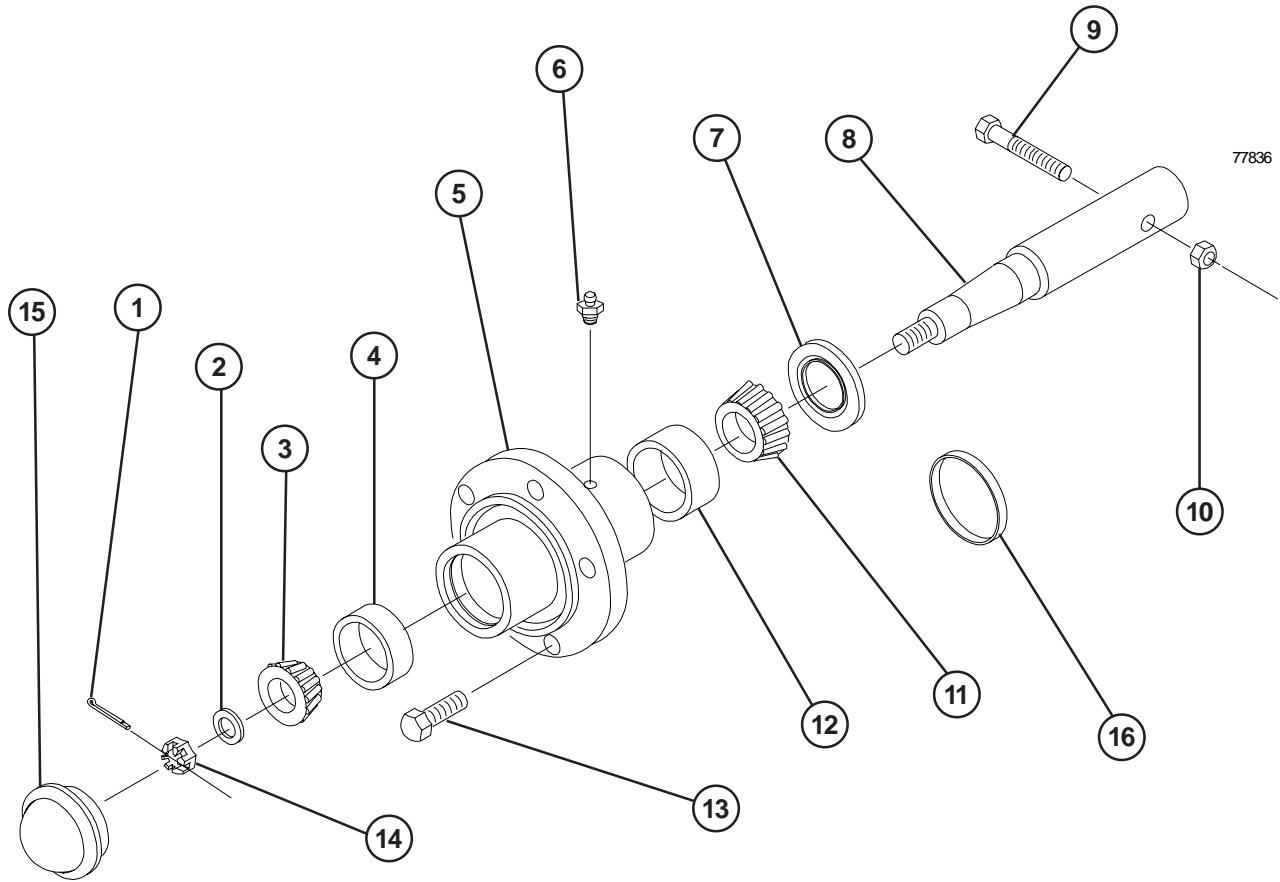
NOTE: ONE (1) SPRING ASSEMBLY (57945) IS SHOWN, TWO (2) ARE REQUIRED PER SHANK ASSEMBLY

ITEM	PART NO	DESCRIPTION
	240422	32" 54 Degree CP Shank Assembly
	57966	16.12 Spring Assembly (32") (Includes Items 13-15)
1	89385	BLT HEX 3/4-16NFX6-1/2 8YZ
2	234084	CAST TOP PLATE (GRAY)
3	88169	1NF Lock Nut
4	240420	SHANK HOLDER FRAME BRACKET
5	89386	NUT NYL 3/4-16NF 8YZ
6	88369	NUT 2POSLK 5/8-11NC 5Z
7	14987	Pivot Bolt
8	88441	5/8NCx2x3-1/4 U-Bolt
9	88356	NUT 2POSLK 3/4-10NC 5Z
10	55485	32" 54 Degree CP Shank

ITEM	PART NO	DESCRIPTION
11	62591	Ductile Pivot Arm
12	10210	Adjustment Bolt
13	57948	Cast Spring Plug
14	57961	13-15/16 Extension Spring (32")
15	57946	Spring Clevis
16	62639	Stop Collar
17	88421	3/4NCx4-1/2 GR5 Bolt
18	88548	3/4 SAE Flat Washer(13/16x1-1/2)
19	58032	1/2NCx2-1/2 HDN Bolt
20	88621	1/2NC Nylock Nut
21	56908	1/2 Spring Tension Bushing
22	88933	BLT HEX 5/8-11NCX6 8YZ

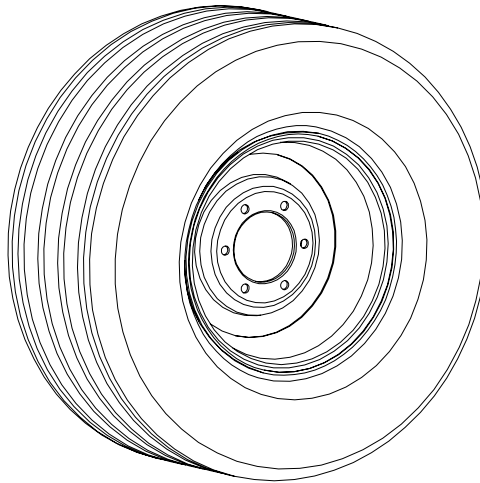
240421 - COMPLETE SHANK ASSY W/MOUNTING PLATE & HARDWARE

1-3/4" & 2" HUB & SPINDLE



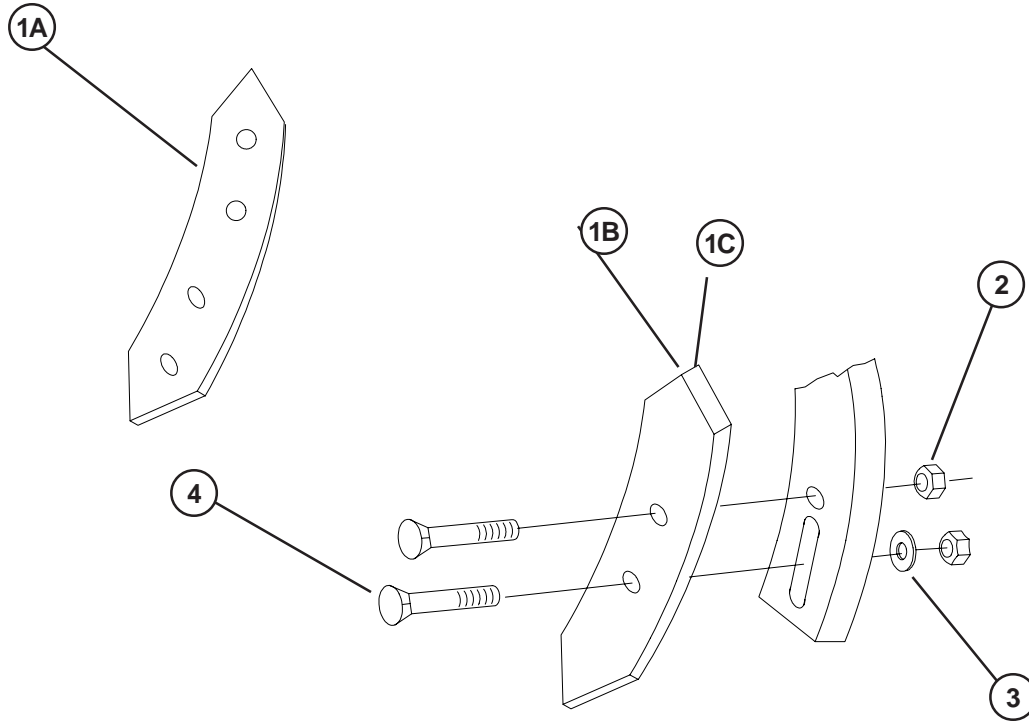
ITEM	PART NO	DESCRIPTION	ITEM	PART NO	DESCRIPTION
	41234	1-3/4" HUB & SPINDLE (INCLUDES ITEMS 1-8 & 11-15)		14251	2" AXLE SPINDLE
	14131	2" HUB & SPINDLE (INCLUDES ITEMS 1-8 & 11-15)		41232	1-3/4" AXLE SPINDLE
1	88301	3/16"x1-1/2" COTTER PIN	9	88429	1/2"NFx3-1/4" GR5 BOLT (2")
2	16094	7/8" SPINDLE WASHER		88313	1/2"NFx3" GR5 BOLT (1-3/4")
3	10345	OUTER BEARING CONE	10	88304	1/2"NF LOCK NUT
4	10344	OUTER BEARING CUP		88369	5/8"NC LOCK NUT
5	24097	6-BOLT HUB 2" SPINDLE (INCLUDES ITEMS 4, 6 & 12)		14248	INNER BEARING CONE (2")
	30405	6 BOLT HUB 1-3/4" SPINDLE (INCLUDES ITEMS 4, 6, 12 & 16)	11	11378	INNER BEARING CONE (1-3/4")
6	88263	1/8"NPT GREASE FITTING		14249	INNER BEARING CUP (2")
7	58546	2" TRIPLE LIP SEAL	12	11379	INNER BEARING CUP (1-3/4")
	25585	1-3/4" TRIPLE LIP SEAL	13	88142	1/2"NFx1 90° WHEEL BOLT
			14	88340	7/8"NF SLOTTED NUT
			15	11381	DUST CAP
			16	25586	WEAR SLEEVE (1-3/4")

TIRE ASSEMBLIES, RIMS, TIRES , VALVE STEMS



ASSEMBLY	DESCRIPTION
16290	WHL ASSY 9.5LX15 6B 8" 8PLY
10498	RIM 15X8 6B (W511535V PO2)
16287	TIRE 95LX15 8PLY
30784	VALVE STEM ASSY TR415
24538	WHL ASSY 11LX15 6B 8" 8P GRAY
10498	RIM 15X8 6B (W511535V PO2)
29066	TIRE 11L X 15 8PLY
30784	VALVE STEM ASSY TR415
65696	WHL ASSY 11LX15 6B 10" 12PGRAY
41279	TIRE 11L X 15 12 PLY
46714	RIM 15X10 6B (W50534VP02)
57908	VALVE ASSEMBLY (STEEL)
222087	WHL ASSY 31X13.5 6B 10" 12P GRAY
222088	31 X 13.50-15 12PLY TIRE
46714	RIM 15X10 6B (W50534VP02)
57908	VALVE ASSEMBLY (STEEL)
246254	WHL ASSY 13.50-15FI 8B 10IN F
203196	RIM 15 X 10 8B 8-6 (W51350V P02)
246253	13.50-15 FI F HWY IMP TIRE
57908	VALVE ASSEMBLY (STEEL)

SPIKES

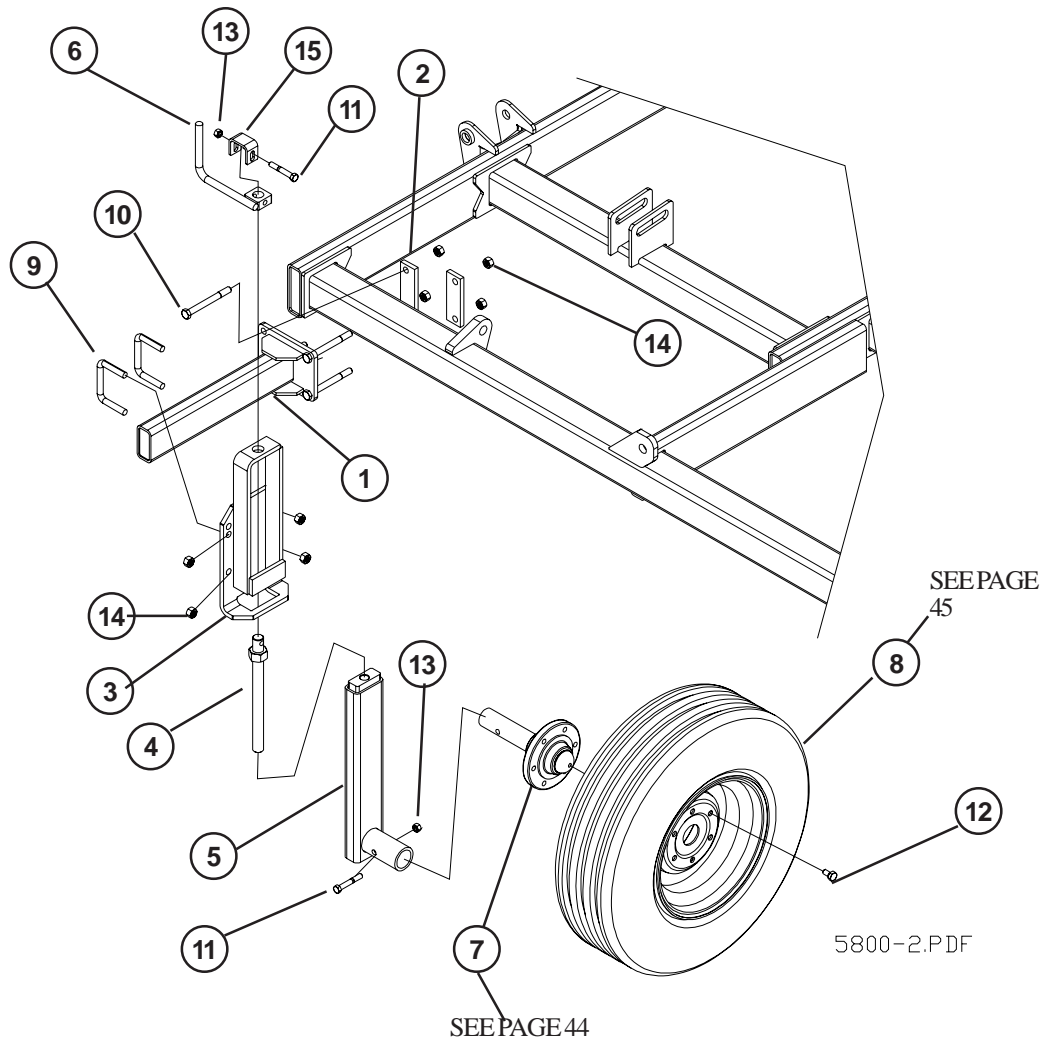


77905A

ITEM PART NO DESCRIPTION

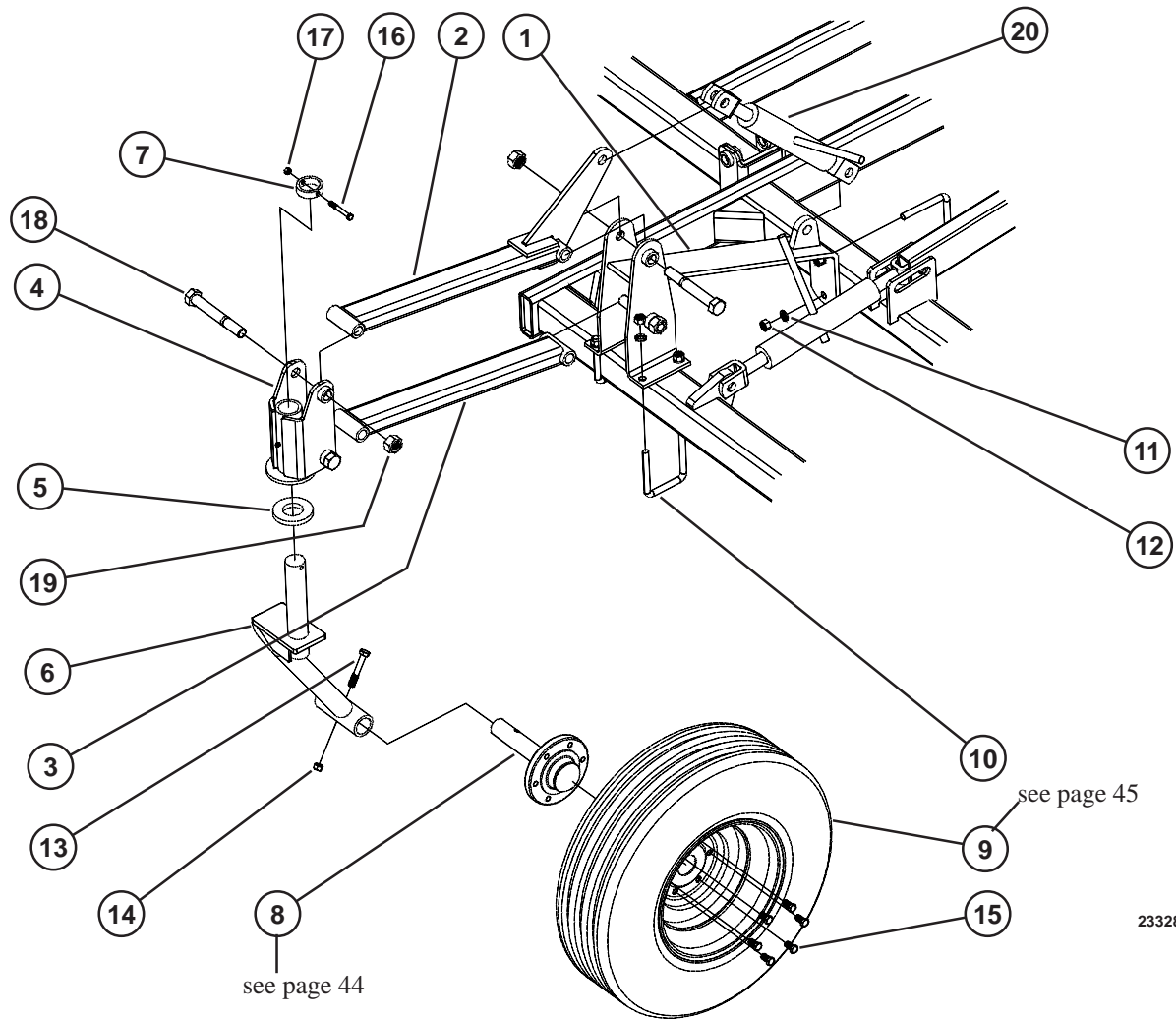
ITEM	PART NO	DESCRIPTION
1A	222696	5/8x2x15 Spike w/ Hrwe Pkg
1B	240690	3" Twisted Concave LH Spike w/ Hrwe Pkg
1C	240691	3" Twisted Concave RH Spike w/ Hrwe Pkg
2	88346	NUT HVY 1/2-13NC 5P
3	88347	WSHR FLAT 1/2(9/16X1-3/8ACT) Z
4	89468	BLT PLW 1/2-13NCX2-1/2NO3 GRADE 8 PLAIN

FRONT MOUNT RIGID GAUGE WHEEL



ITEM	PART NO.	DESCRIPTION
	233256	STABILIZER GAUGE WHEEL W/ 9:5L TIRE (PAIR)
1	15321	GAUGE WHEEL MOUNT
2	15627	HINGE PLATE
3	233882	GAUGE WHEEL MAST
4	233887	ADJUST ROD SUB ASSY-PLATED
5	233889	GAUGE WHEEL LEG
6	233886	GAUGE WHEEL CRANK
7	14131	HUB & 2" SPINDLE ASSY
8	16290	WHL ASSY 95L x 15 6B 6" 8P GRAY
9	88388	5/8NCx4x3-1/4 U-BOLT
10	88933	5/8NCx6 GR8 BOLT
11	88680	1/2NCx3-1/4 GR5 BOLT
12	88142	1/2NFx1 (13/16 HEAD)
13	88363	NUT 2POSLK 1/2NC
14	88369	NUT 2POSLK 5/8NC
15	244399	GAGE WHEEL LOCK

CASTERING GAUGE WHEEL



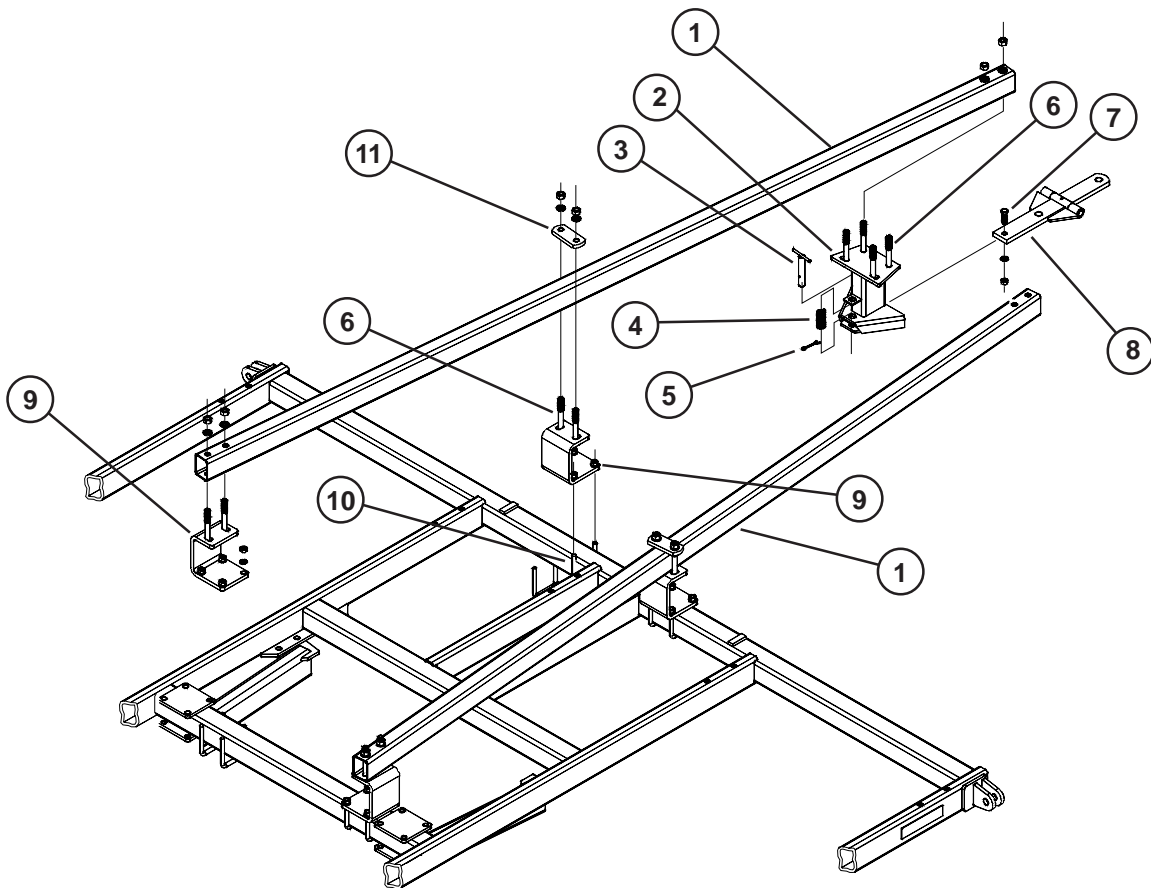
see page 44

see page 45

233282_A.PLT

ITEM	PART NO.	DESCRIPTION
	233258	CASTERING GAUGE WHEEL W/ 9:5L TIRE (PAIR)
1	233225	PIVOT GAUGE WHEEL MOUNT
2	233227	TOP GAUGE WHEEL ARM
3	233235	GAUGE WHEEL TUBE - PAINTED
4	233230	GAUGE PIVOT BRACKET
5	19262	SHIM
6	240360	CASTER WHEEL LEG
7	14189	LINK ARM STOP COLLAR
8	41234	1-3/4" HUB & SPINDLE ASSY
9	16290	WHL ASSY 95L x 15 6B 6"8P GRAY
10	88145	5/8NCx4x3-1/4 U-BOLT
11	88129	WSHR HLK 5/8ID (11/16ACT)
12	88126	NUT HEX 5/8NC
13	88429	1/2NFx3-1/4 GR5 BOLT
14	88304	NUT 2POSLK 1/2NF
15	88142	BLT WHL 1/2-20NFx1 (13/16 HEAD)
16	88531	3/8NCX3 GR5 BOLT
17	88162	NUT 2POSLK 3/8NC
18	14987	PIVOT BOLT (CP SHANK)
19	88169	NUT 2POSLK 1NF
20	33104	GAUGE WHEEL JACK

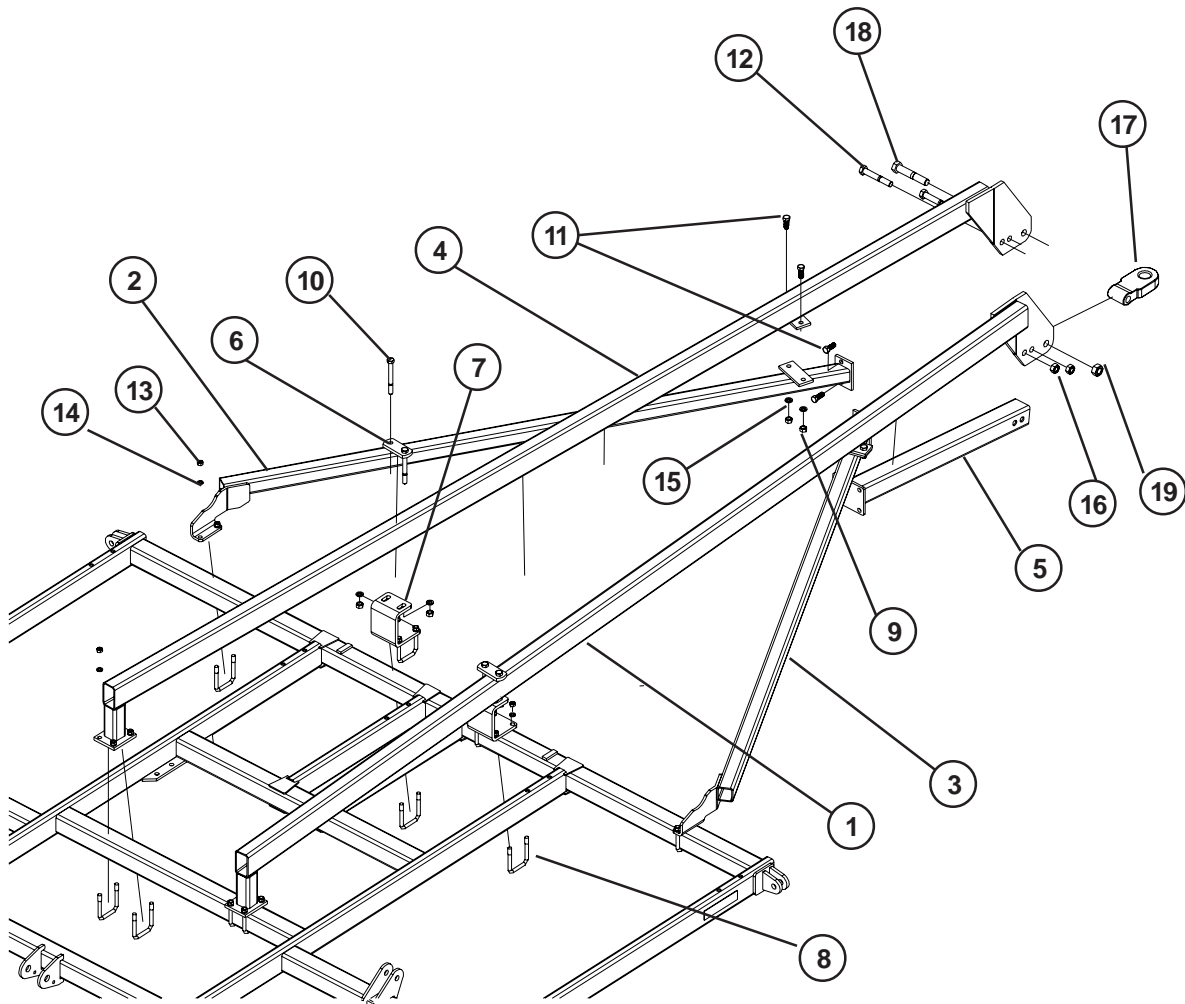
REAR HITCH W/HINGED TONGUE



ITEM	PART NO.	DESCRIPTION
1	233371	REAR HITCH TUBE (164")
2	58281	HITCH MOUNT
3	58284	HITCH PIN(1x2-27/32)
4	15940	SPRING
5	88101	COTTER PIN (1/4x2-1/2)
6	88293	3/4NCx6 GR5 BOLT
7	88294	5/8NCx2 GR5 BOLT
8	18443	HINGE TONGUE ASSEMBLY
9	233375	HITCH TUBE MOUNT
10	88145	5/8NCx4x5-1/4 U-BOLT
11	233372	TUBE STRAP

**THIS HITCH FITS ONLY 5830 13FT MAIN FRAMES
AND MAY PREVENT USE OF OTHER OPTIONS.**

HEAVY DUTY REAR HITCH



THIS HITCH FITS ONLY 5830 13FT MAIN FRAMES AND MAY PREVENT USE OF OTHER OPTIONS.

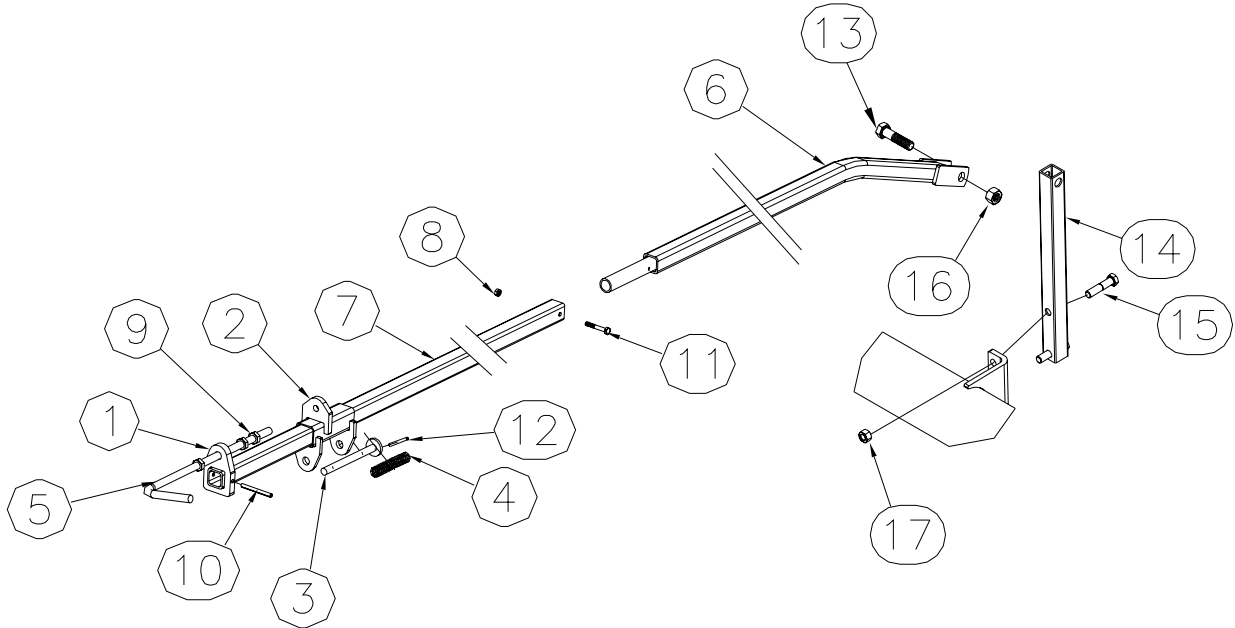
ITEM PART NO DESCRIPTION

1	233398	LEFT INNER HITCH TUBE
2	233400	RIGHT OUTER HITCH BRACE
3	233401	LEFT OUTER HITCH BRACE
4	233402	RIGHT INNER HITCH BRACE
5	233408	HITCH DOWN TUBE
6	233372	TUBE STRAP
7	233375	HITCH MOUNT
8	88145	BLT-U 5/8-11NCX4X5-1/4 Z
9	88110	NUT HEX 3/4-10NC 5Z
10	88335	BLT HEX 3/4-10NCX7 5Z

ITEM PART NO DESCRIPTION

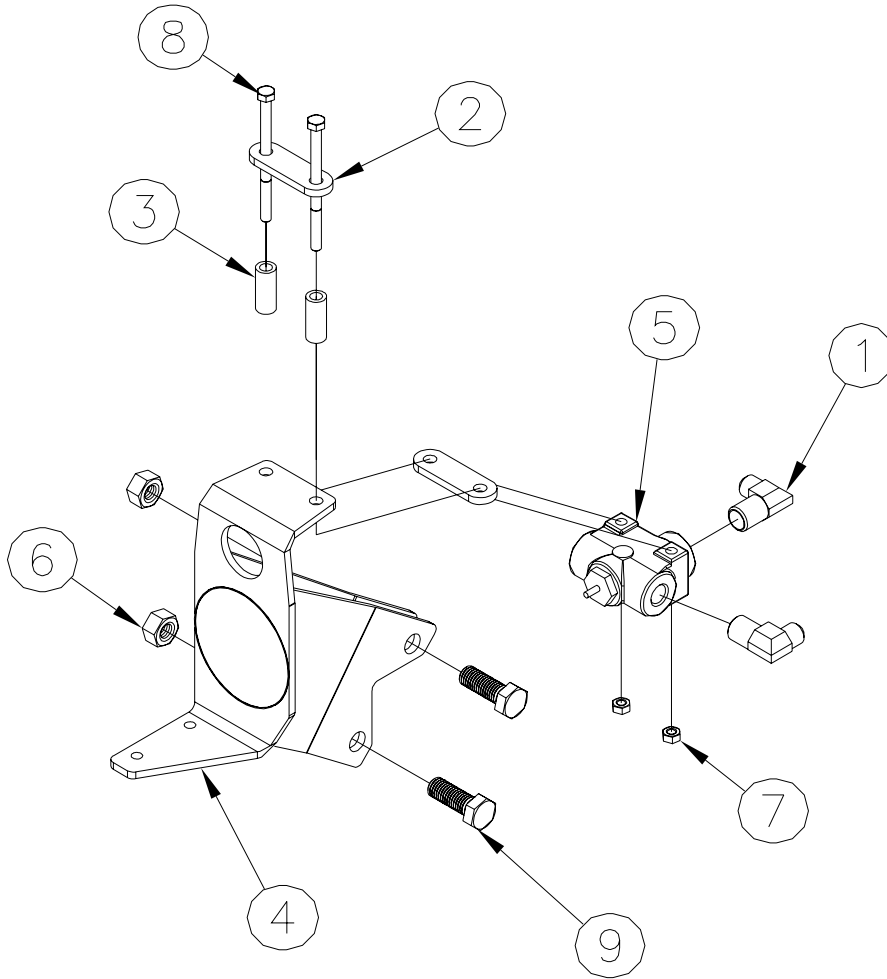
11	88290	BLT HEX 3/4-10NCX2 8YZ
12	88666	BLT HEX 1-8NCX6-1/2 5Z
13	88126	NUT HEX 5/8-11NC 5Z
14	88129	WSHR HLK 5/8ID(11/16ACT) Z
15	88130	WSHR HLK 3/4ID(13/16ACT) Z
16	88658	NUT TOP LK 1-8NC 5Z
17	18237	CAST HITCH
18	89134	BLT HEX 1-1/4-7NCX7 5Z
19	88430	NUT 2POS LK 1-1/4-7NC 5Z

SINGLE POINT TUBE ASSEMBLY



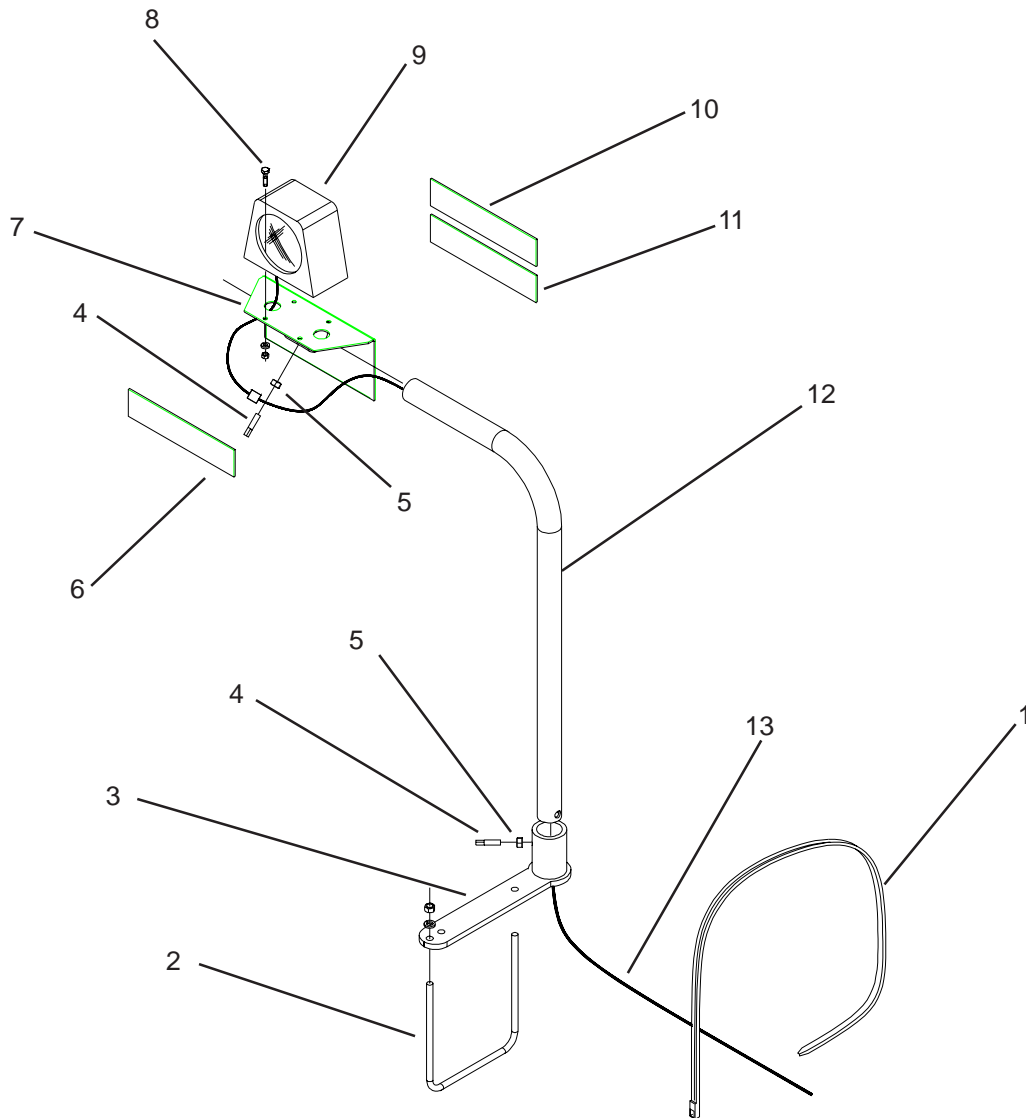
ITEM	PART NO.	DESCRIPTION	QTY
1	222107	ADJUST EAR	1
2	222111	SLIDE ADJUST	1
3	222180	SPRING PIN (ZINC)	1
4	23200	SPRING	1
5	238657	ADJUST CRANK - LONG	1
6	243062	CP SINGLE POINT TUBE	1
7	243063	SINGLE POINT TUBE	1
8	88237	NUT 2POSLK 1/4-20NC 5Z	1
9	88561	NUT JAM 1/2-13NC 5Z	3
10	88767	PIN ROLL 1/4DIAX2-1/2 Z	1
11	88997	BLT HEX 1/4-20NC X 1-3/4 5Z	1
12	89078	PIN ROLL 3/16X1-3/4 Z	1
13	88409	BLT HEX 5/8-11NCX2-1/2 5Z	1
14	239038	SINGLE POINT TUBE	1
15	88825	BLT HEX 1/2-13NCX2-1/4 5Z	2
16	88369	NUT 2POSLK 5/8-11NC 5Z	1
17	88363	NUT 2POSLK 1/2-13NC 5Z	2

SINGLE POINT VALVE ASSEMBLY



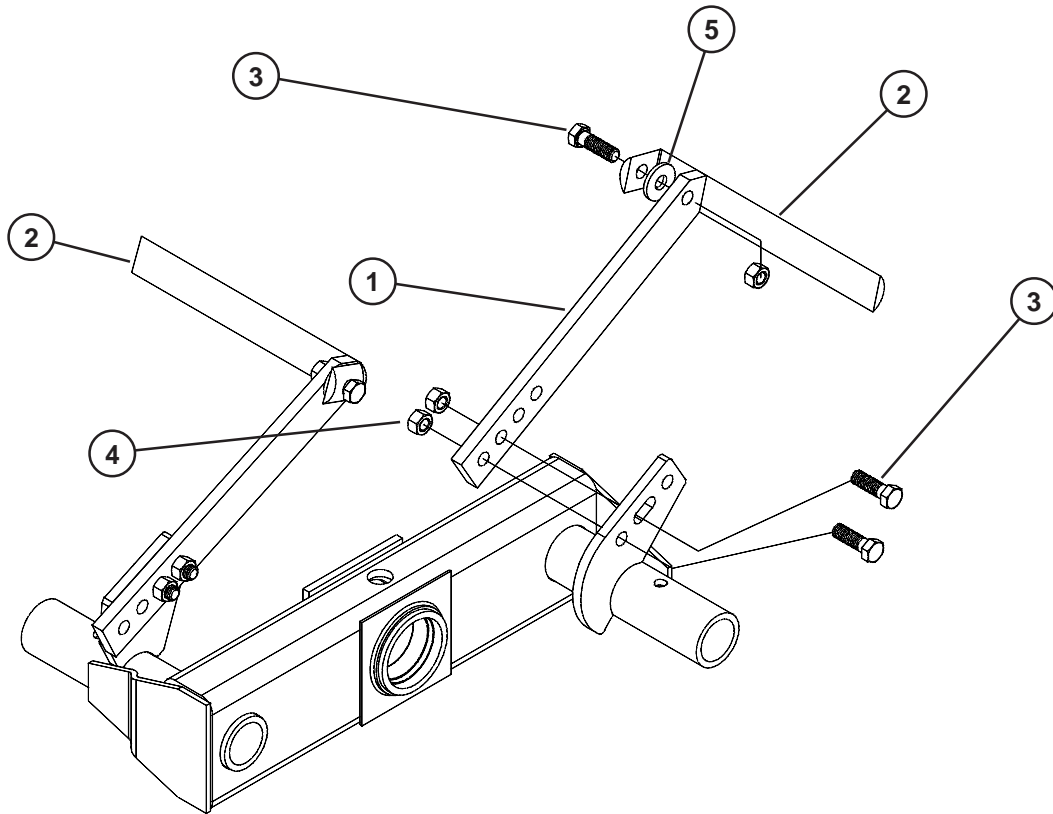
ITEM	PART NO.	DESCRIPTION	QTY
1	13236	ELB 8MJ X 8MPT	2
2	238636	VALVE SPACER (ZINC)	2
3	238637	SPACER TUBE (ZINC)	2
4	238638	SINGLE POINT BRACKET	1
5	51975	DCV ASSEMBLY	1
6	88369	NUT 2POSLK 5/8-11NC 5Z	2
7	88540	NUT 2POSLK 5/16-18NC 5	2
8	88812	BLT HEX 5/16-18NCX4-1/2 2Z	2
9	88838	BLT HEX 5/8-11NCX1-3/4 5Z	2

LIGHTS



ITEM	PART NO	DESCRIPTION	ITEM	PART NO	DESCRIPTION
	223163	LIGHT KIT (RIDGID)			
	234606	LIGHT KIT (4, 6 WING)	11	223118	RED/ORANGE FLUORESCENT DECAL
	223780	LIGHT KIT (9, 12 WING)	12	223140	12x12 LIGHT ARM
1	13479	4" SQUARE TIE LOOP		223156	27x33 LIGHT ARM
2	88385	3/8NCx4x4-3/4 U-BOLT		223121	48" OFFSET LIGHT ARM
3	223130	SHORT BASE PIVOT	13	223330	AG LIGHT KIT
4	88702	3/8NCx3/4 SQ HEAD SET SCREW		223145	AG MODULE
5	88103	3/8NC NUT		223146	WISHBONE 4 LEAD
6	22372	YELLOW DECAL		64597	35' HARNESS
7	223126	LIGHT/REFLECTOR BRACKET			
8	88203	1/4NCx1 BOLT			
9	223143	AMBER LIGHT			
	223144	RED LIGHT			
10	22371	RED DECAL			

MUD SCRAPERS

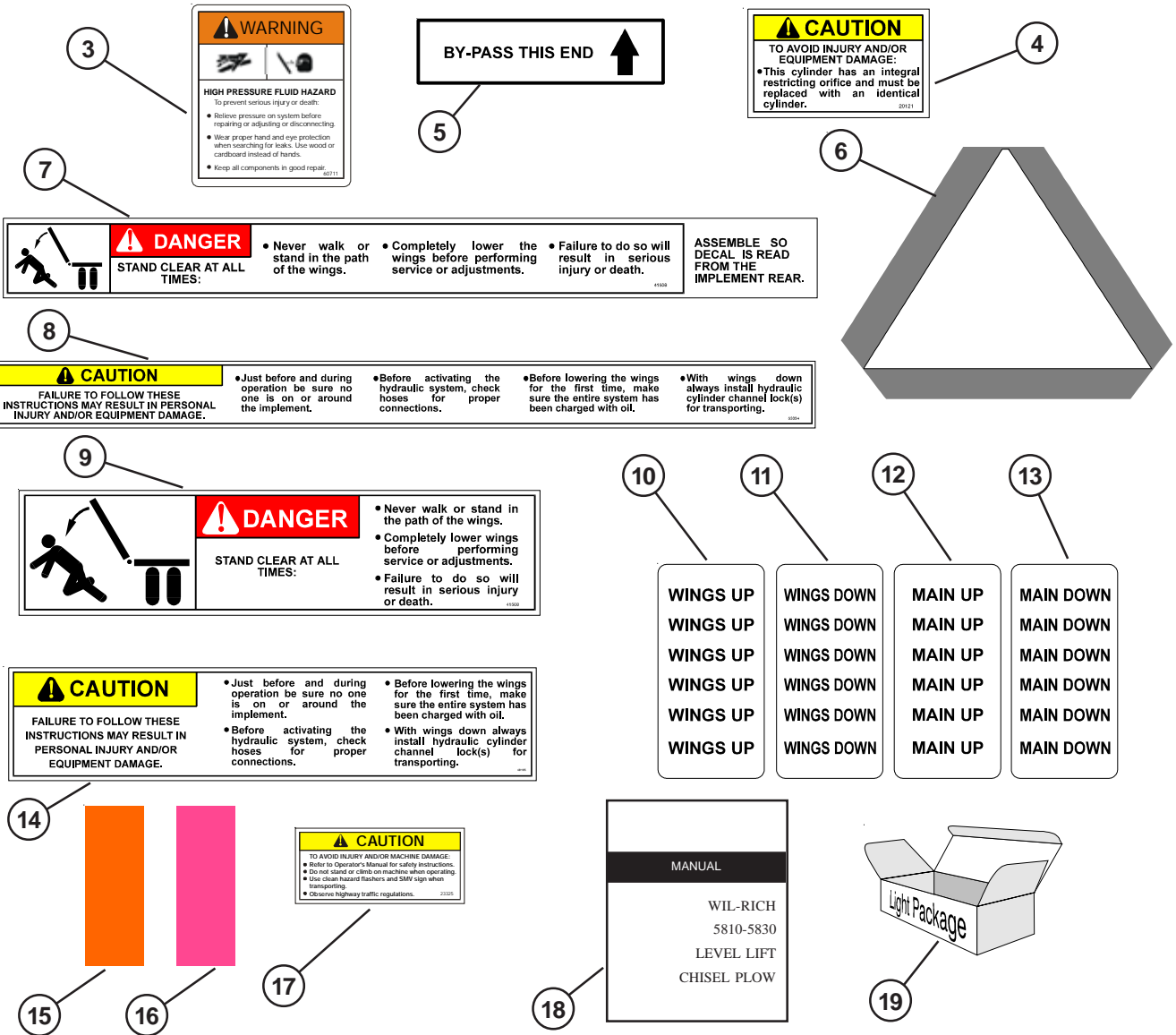


ITEM	PART NO	DESCRIPTION
	61851	TIRE SCRAPER KIT (PR)
1	61835	SCRAPER BAR
2	61837	5/8 DIAx13-1/2 SCRAPER BAR
3	88294	5/8NCx2 GR5 BOLT
4	88845	5/8NC LOCK NUT
5	88277	5/8 FLAT WASHER

NOTE: 1 Kit does two (2) tires.

THIS OPTION WILL BE PHASED OUT, CHECK WIL-RICH SERVICE FOR PARTS AVAILABILITY.

DECALS



ITEM	PART NO	DESCRIPTION
1	65342	WIL-RICH DECAL (3-5/8X23-7/8)
2	235004	5800 DECAL
3	60711	HIGH PRESSURE FLUID HAZARD
4	20121	INTEGRAL RESTRICTOR DECAL
5	20339	BYPASS DECAL
6	41345	SMV KIT
7	41508	WING LOCK DANGER DECAL
8	53334	CAUTION DECAL
9	49163	WING LOCK DANGER DECAL
10	54900	WINGS UP DECAL

ITEM	PART NO	DESCRIPTION
11	54901	WINGS DOWN DECAL
12	54902	MAIN UP DECAL
13	54903	MAIN DOWN DECAL
14	49165	CAUTION DECAL
15	22372	AMBER REFLECTOR
16	22371	RED REFLECTOR
17	23325	CAUTION DECAL - READ
18	74244	5810/5830 ASSEMBLY MANUAL
	74245	5810/5830 OPERATORS MANUAL
19	64594	CLEARANCE LIGHT PACKAGE

WIL-RICH, LLC

WARRANTY

Wil-Rich's products are warranted to the original non-commercial purchaser to be free from defects in material and workmanship for a minimum period of twelve (12) months from the original date of purchase.

Additional Field Cultivator Warranty: Wil-Rich warrants to the original purchaser of each new Wil-Rich Field Cultivator unit (Excel and QuadX), and Disk Field Cultivators that the product be free from defects in material and workmanship for the period of three (3) years on the main frames and shank assemblies. All other components are covered by the twelve (12) month warranty period.

Commercial Use: Warranty for commercial, rental or custom use of any Wil-Rich product is limited to 90 days, parts and labor.

We warrant products sold by us to be in accordance with our published specifications or those specifications agreed to by us in writing at time of sale. Our obligation and liability under this warranty is expressly limited to repairing, or replacing, at our option, within 12 months after date of retail delivery, any product not meeting the specifications. **We make no other warranty, express or implied and make no warranty of merchantability or of fitness for any particular purpose.** If requested by us, products or parts for which a warranty claim is made are to be returned transportation prepaid to our factory. Any improper use, operation beyond rated capacity, substitution of parts not approved by us, or any alteration or repair by others in such manner as in our judgment affects the product materially and adversely shall void this warranty. **No employee or representative is authorized to change this warranty in any way or grant any other warranty.**

Wil-Rich reserves the right to make improvement changes on any of our products without notice.

When warranty limited or not applicable: Warranty on hydraulic hoses, hydraulic cylinders, hubs, spindles, engines, valves, pumps or other trade accessories are limited to the warranties made by the respective manufactures of these components. Rubber tires and tubes are warranted directly by the respective tire manufacturer only, and not by Wil-Rich.

This warranty shall not be interpreted to render Wil-Rich liable for injury or damages of any kind or nature to person or property. This warranty does not include claims for, or extend to the loss or damage of crops, loss because of delay in seeding/planting or harvesting, or any expense or loss incurred for labor, substitute machinery, rental, and transportation expense or for any other reason.

A Warranty Validation and Delivery Report Form must be filled out and received by Wil-Rich to initiate the warranty coverage.

WARRANTY CLAIMS PROCEDURE

1. The warranty form must be returned to Wil-Rich within thirty (30) working days from the repair date.
2. Parts returned to Wil-Rich without authorization will be refused. The parts must be retained at the dealership for ninety (90) days after the claim has been filed. If the Service Department would like to inspect the parts, a packing slip will be mailed to the dealer. The packing slip must be returned with the parts. The parts must be returned prepaid within thirty (30) days of receiving authorization. After the parts are inspected and warranty is verified, credit for the return freight will be issued to the dealer.
3. Parts that will be scrapped at the dealership will be inspected by a Wil-Rich Sales Representative, District Sales Manager or Service Representative within the ninety (90) day retaining period.