



# 614NT PARTS MANUAL

## TANDEM DISC



**WIL-RICH**

PO Box 1030

Wahpeton, ND 58074

PH (701) 642-2621

Fax (701) 642-3372

[www.wil-rich.com](http://www.wil-rich.com)

# WARRANTY

The only warranty Wil-Rich gives and the only warranty the dealer is authorized to give is as follows:

We warrant products sold by us to be in accordance with our published specifications or those specifications agreed to by us in writing at time of sale. Our obligation and liability under this warranty is expressly limited to repairing, or replacing, at our option, within 12 months after date of retail delivery, any product not meeting the specifications. **We make no other warranty, express or implied and make no warranty of merchantability or of fitness for any particular purpose.** Our obligation under the warranty shall not include any transportation charges or costs or installation or any liability for direct, indirect or consequential damage or delay. If requested by us, products or parts for which a warranty claim is made are to be returned transportation prepaid to our factory. Any improper use, operation beyond rated capacity, substitution of parts not approved by us, or any alteration or repair by others in such manner as in our judgment affects the product materially and adversely shall void this warranty. **No employee or representative is authorized to change this warranty in any way or grant any other warranty.**

Wil-Rich reserves the right to make improvement changes on any of our products without notice.

**When warranty limited or not applicable:** Warranty on hoses, cylinders, hubs, spindles, engines, valves, pumps or other trade accessories are limited to the warranties made by the respective manufactures of these components. Rubber tires and tubes are warranted directly by the respective tire manufacturer only, and not by Wil-Rich.

Warranty does not apply to any machine or part which has been repaired or altered in any way so as in the our judgment to affect its reliability, or which has been subject to misuse, negligence or accident.

**A Warranty Validation and Delivery Report Form must be filled out and received by Wil-Rich to initiate the warranty coverage.**

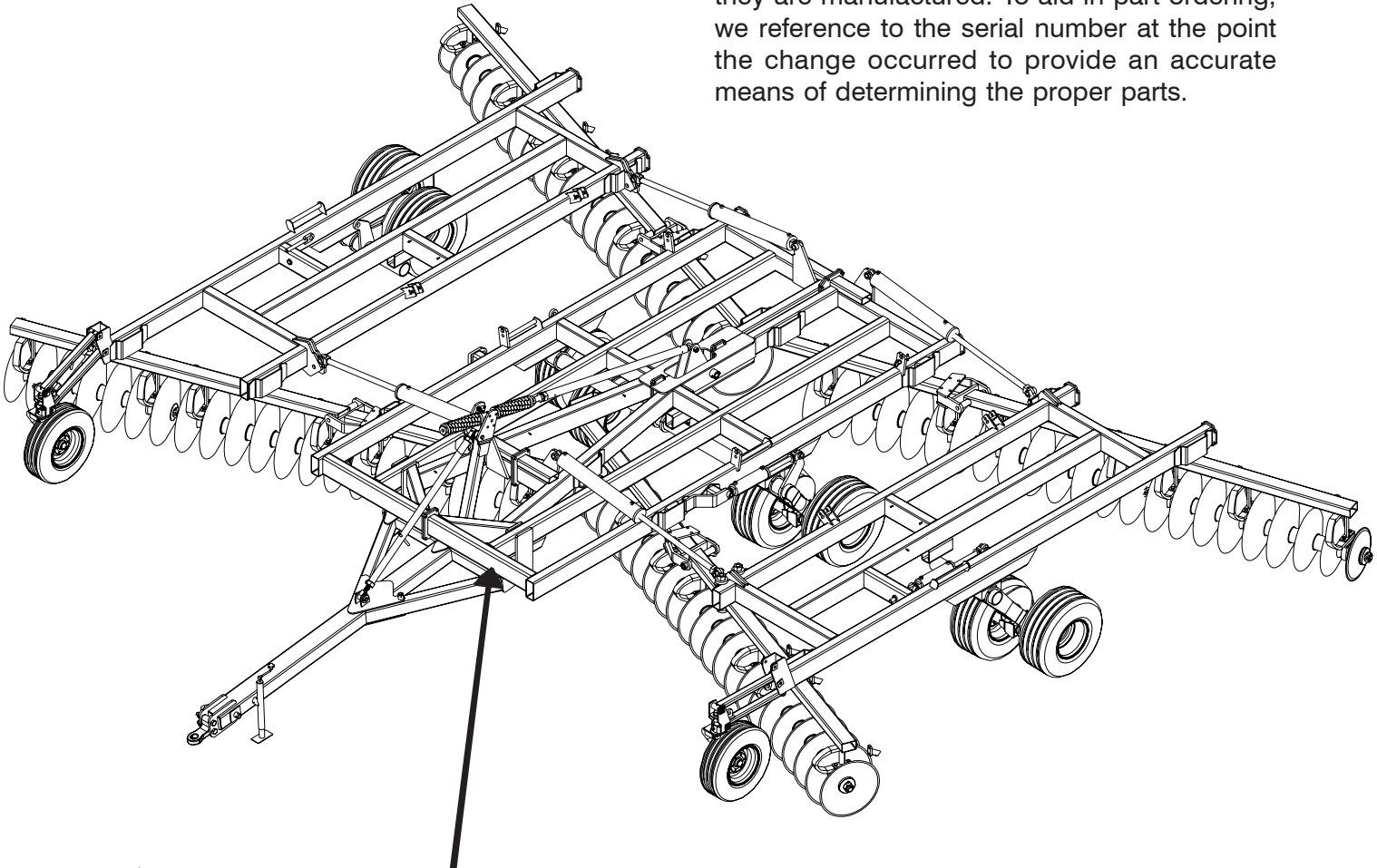
## WARRANTY CLAIMS PROCEDURE

1. The warranty form must be returned to Wil-Rich within fifteen (15) working days from the repair date.
2. Parts returned to Wil-Rich without authorization will be refused. The parts must be retained at the dealership for ninety (90) days after the claim has been filed. If the Service Department would like to inspect the parts, a packing slip will be mailed to the dealer. The packing slip must be returned with the parts. The parts must be returned prepaid within thirty (30) days of receiving authorization. After the parts are inspected and warranty is verified, credit for the return freight will be issued to the dealer.
3. Parts that will be scrapped at the dealership will be inspected by a Wil-Rich Sales Representative, District Sales Manager or Service Representative within the ninety (90) day retaining period.

# **SERIAL NUMBER LOCATION**

## **Serial Number Break**

Every implement has a serial number located on the frame. These serial numbers are consecutively assigned to the implements as they are manufactured. To aid in part ordering, we reference to the serial number at the point the change occurred to provide an accurate means of determining the proper parts.



**WIL-RICH LLC**  
Wahpeton, ND

Serial Number:



Made in USA

## Orientation

Any reference to left (L) or right (R) sides or components is to be understood as being viewed from behind the implement and looking forward.

## Modifications

It is the policy of WIL-RICH to improve its products whenever possible and practical to do so. We reserve the right to make changes, improvements, and modifications at any time without incurring the obligation to make such changes, improvements and modifications on any equipment sold previously.

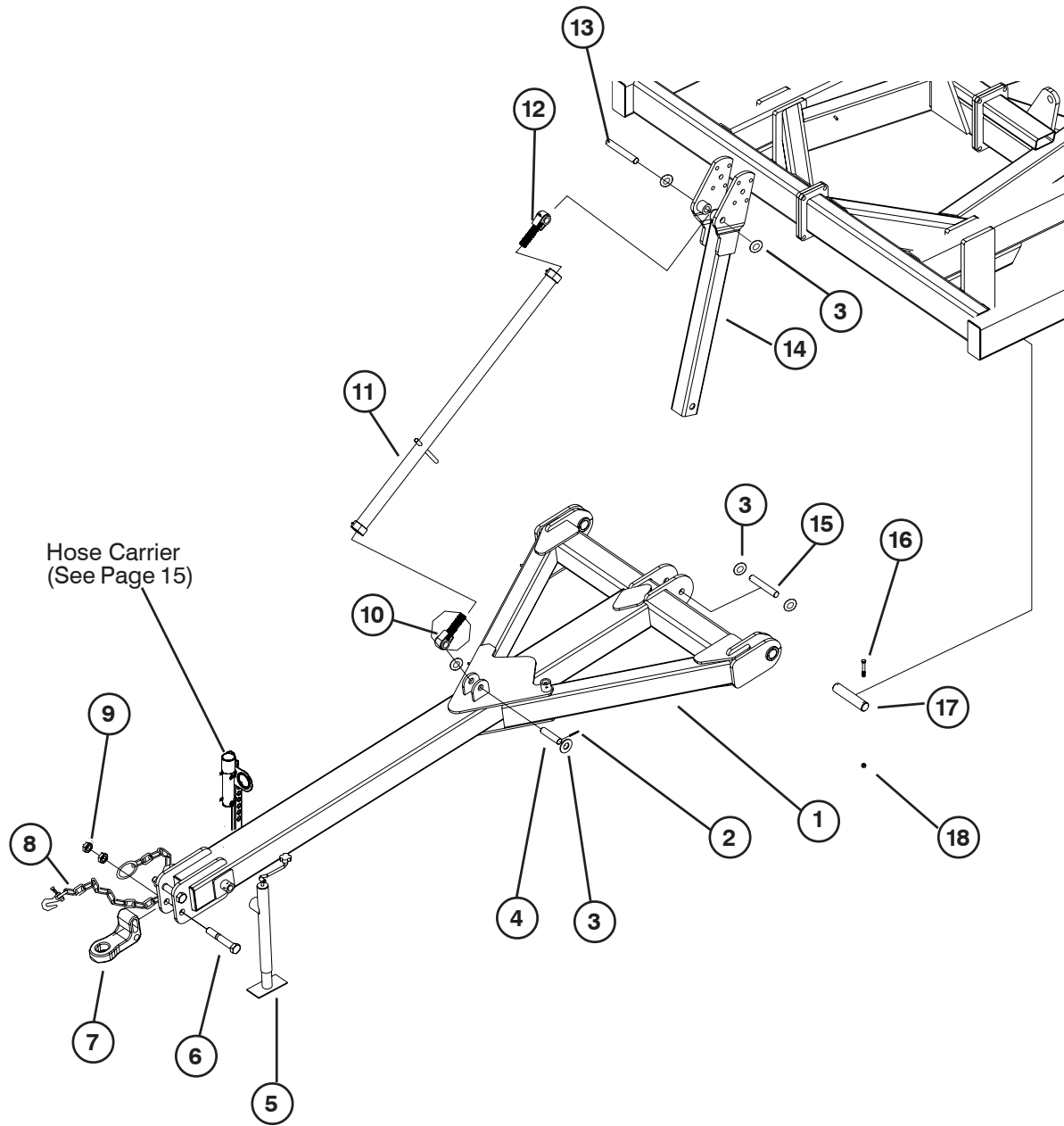
## Abbreviations

ASSY .....	Assembly
BLD .....	Blade
BRKT .....	Bracket
CTR .....	Center
CP .....	Cup Point
(FF) .....	Female Female
FTG GRS.....	Fitting Grease
GR .....	Grade of Bolt
HD .....	Heavy Duty
HDWE .....	Hardware
LH .....	Left Hand
(MF) .....	Male Female
MF .....	Main Frame
MTG .....	Mounting
NC .....	National Course Thread
NF .....	National Fine Thread
NPT .....	National Pipe Thread
RH .....	Right Hand
SS .....	Screw Stop
SST .....	Stainless Steel
TA .....	Tandem
TBP .....	Top Bypass
W/ .....	With
W/O .....	Without

# CONTENTS

HITCH.....	5
MAIN FRAME .....	6-7
MAIN AXLE .....	9
LEVELING COMPONENTS.....	9-10
WING FRAME.....	11
8 BOLT HUB & 2-1/2" SPINDLE .....	12
WALKING TANDEMS .....	13
UTILITY POLE .....	14
DEPTH CONTROL HYDRAULICS .....	15-16
WING FOLD HYDRAULICS .....	17-19
CASTER GAUGE WHEEL .....	20
6 BOLT HUB & 1-3/4" SPINDLE .....	21
DISC GANG MOUNT .....	22
DISC GANG ASSEMBLY .....	23
BEARING ASSEMBLY .....	24
DISC SCRAPER ASSEMBLY.....	25-25
REAR HITCH .....	26
HARROW MOUNTING COMPONENTS .....	27
LIGHTS.....	28
DECALS .....	29

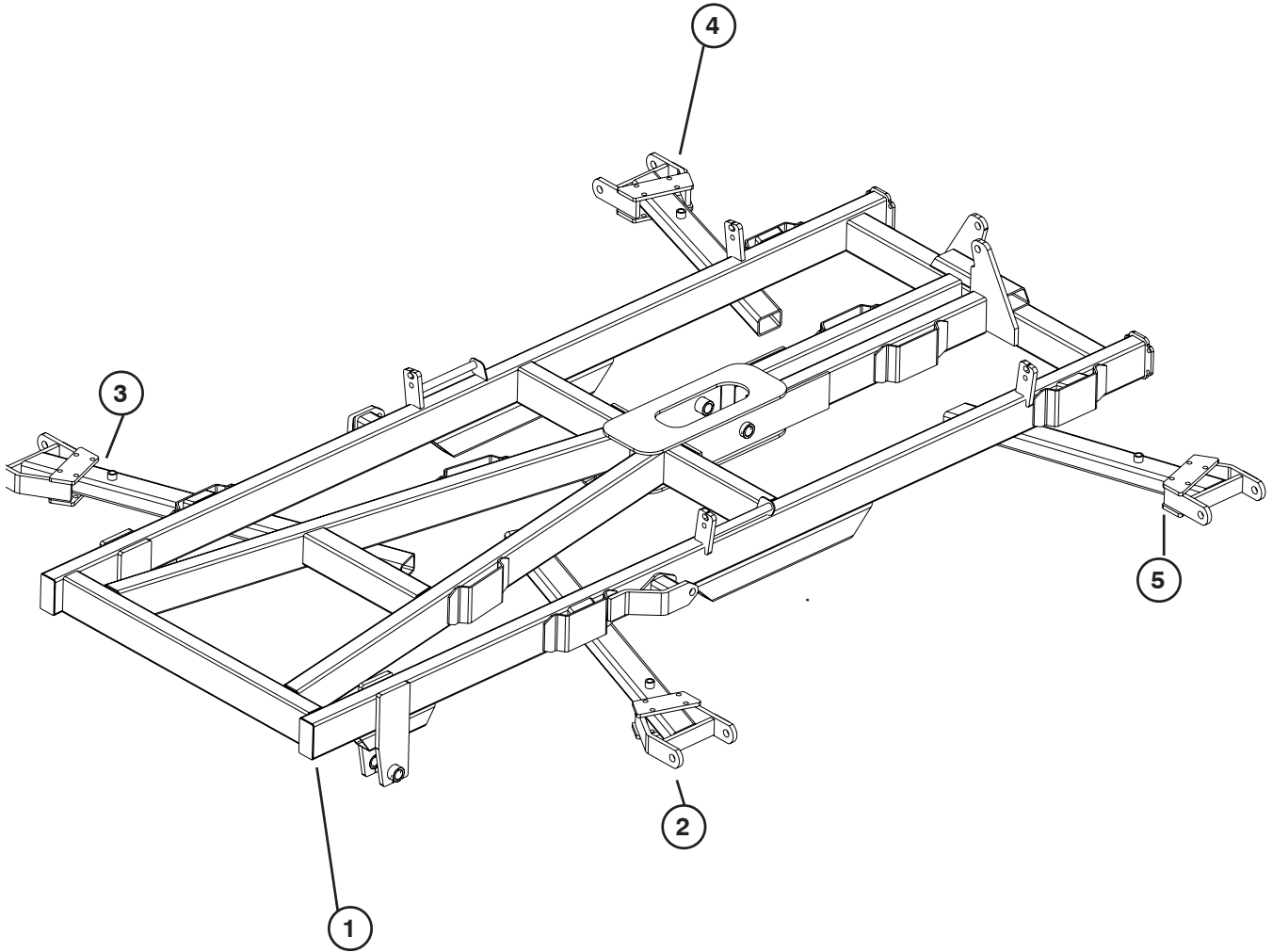
# HITCH



ITEM	PART NO.	DESCRIPTION			
1	242600	DISC HITCH (6FT) (SOLID FRAME DISC)	16	88507	1/2NCX3-1/2 GR5 BOLT
	242661	DISC HITCH (5FT) (SPLIT FRAME DISC)	17	W106099	HITCH ATTACH PIN
2	42484	1/4X2-1/4 ROLL PIN	18	88661	1/2NC TOP LOCK NUT
3	88602	1-1/4 FLAT WASHER			
4	243392	1-1/4X5-1/4 PIN			
5	24415	JACK			
6	243423	1-1/4NCX8 GR5 BOLT			
7	18236	CAST HITCH			
8	24459	SAFETY CHAIN			
9	88622	1-1/4NC JAM NUT			
10	241463	LOWER ROD (RH THREADS)			
11	242611	ADJUSTMENT TUBE			
12	234734	UPPER ROD (LH THREADS)			
13	243391	1-1/4X8-3/4 PIN			
14	242604	POST			
15	243390	1-1/4X7-3/4 PIN			

# MAIN FRAME

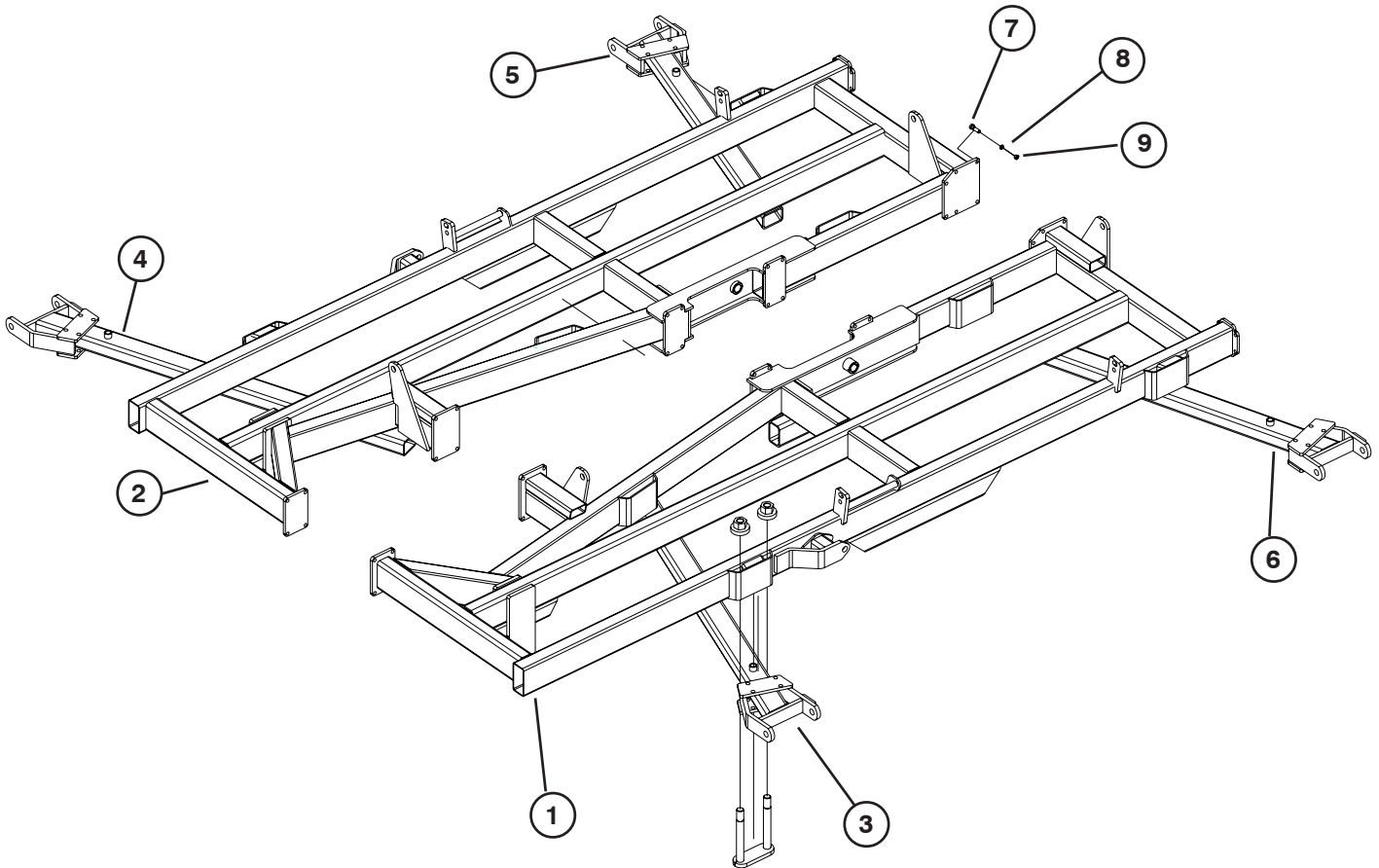
## 24 & 27FT DISC



ITEM	PART NO.	DESCRIPTION
1	242623	9FT CENTER FRAME
2	242659	LEFT FRONT GANG TUBE
3	242660	RIGHT FRONT GANG TUBE
4	242658	RIGHT REAR GANG TUBE
5	242657	LEFT REAR GANG TUBE

# MAIN FRAME

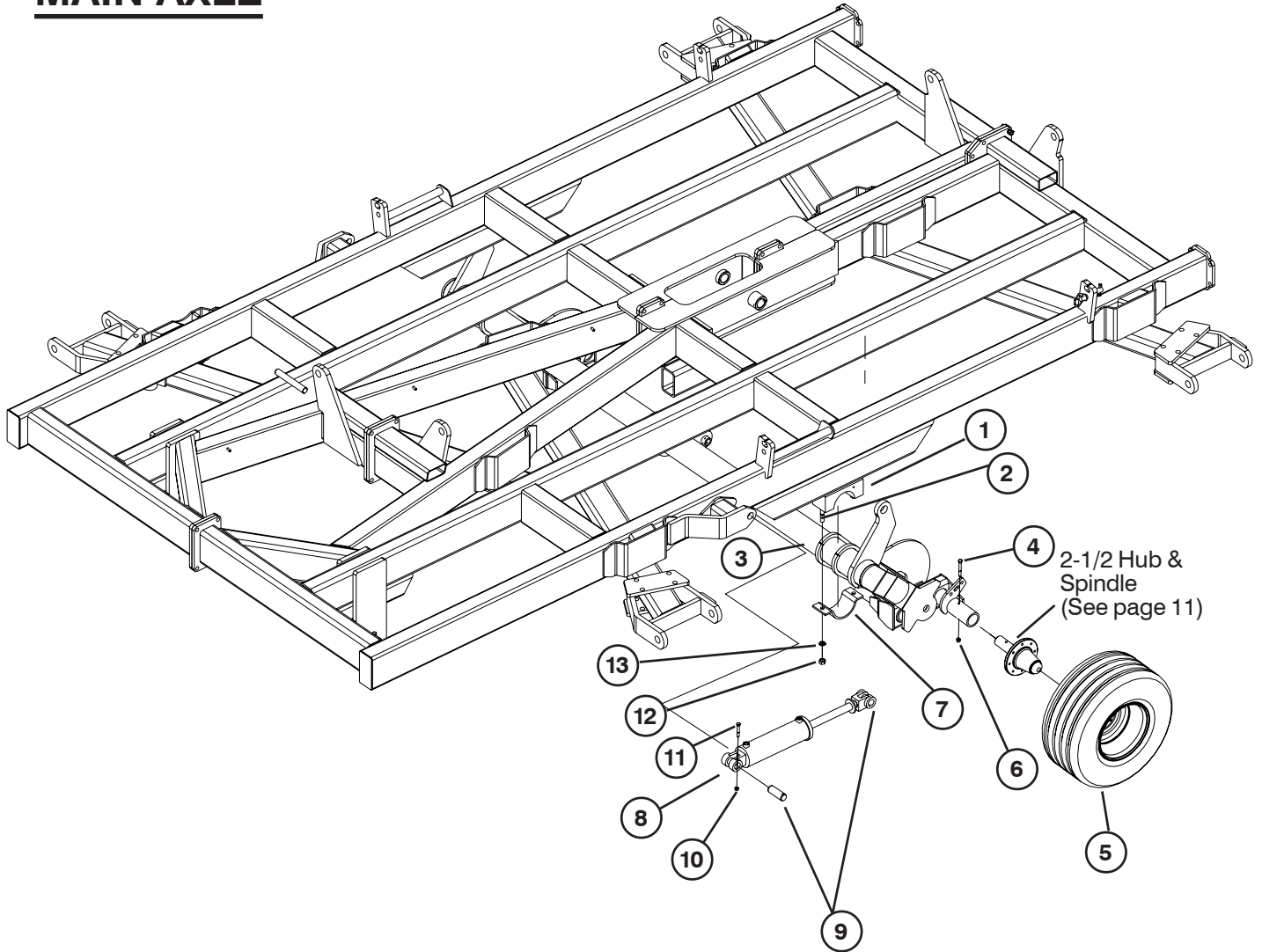
14, 16, 17, 30, 33 & 36 FT DISC



ITEM	PART NO.	DESCRIPTION
1	242616	LEFT 13FT MAINFRAME
2	242615	RIGHT 13FT MAINFRAME
3	242557	FRONT LEFT GANG TUBE (FOLDING)
	244800	99 GANG TUBE (14FT)
	244799	109 GANG TUBE (16FT)
	242756	119 GANG TUBE (17FT)
	244709	139 GANG TUBE (20FT)
4	242551	FRONT RIGHT GANG TUBE (FOLDING)
	244800	99 GANG TUBE (14FT)
	244799	109 GANG TUBE (16FT)
	242756	119 GANG TUBE (17FT)
	244709	139 GANG TUBE (20FT)

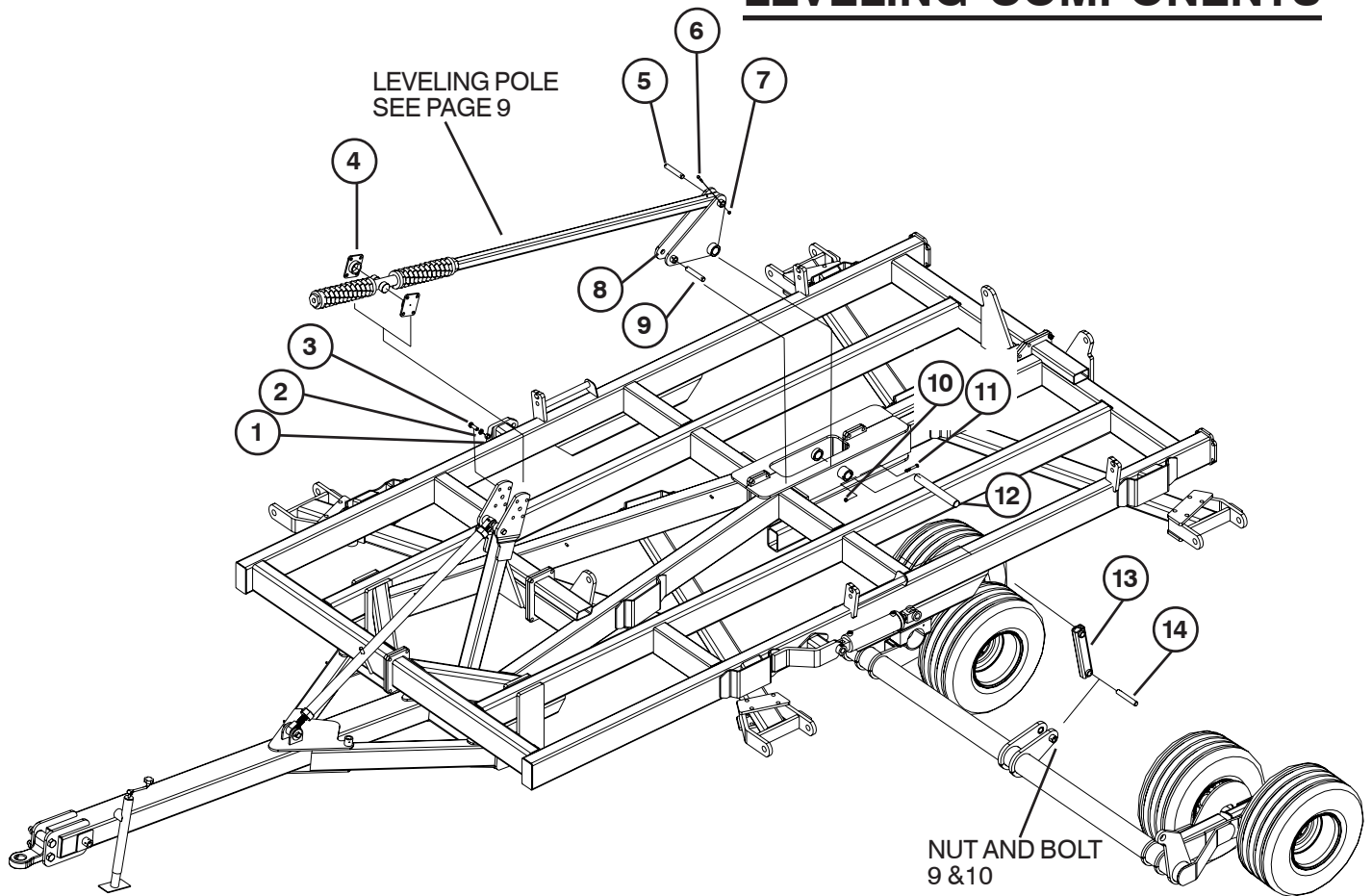
ITEM	PART NO.	DESCRIPTION
5	242550	REAR RIGHT GANG TUBE (FOLDING)
	244800	99 GANG TUBE (14FT)
	244799	109 GANG TUBE (16FT)
	242756	119 GANG TUBE (17FT)
	244709	139 GANG TUBE (20FT)
6	242556	REAR LEFT GANG TUBE (FOLDING)
	244800	99 GANG TUBE (14FT)
	244799	109 GANG TUBE (16FT)
	242756	119 GANG TUBE (17FT)
	243709	139 GANG TUBE (20FT)
7	88404	3/4NCX2-1/2 BOLT
8	88130	3/4 LOCK WASHER
9	88110	3/4NC NUT

# MAIN AXLE



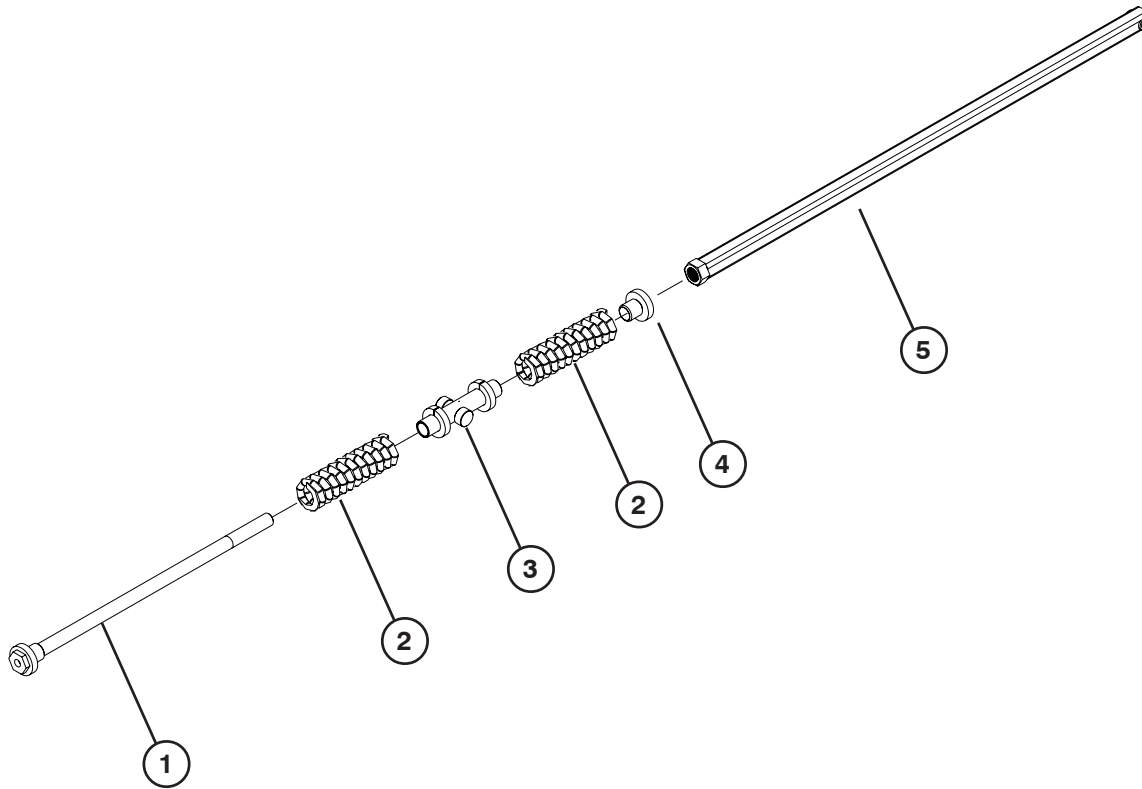
ITEM	PART NO.	DESCRIPTION
1	24076	AXLE CASTING
2	88939	3/4NCX5-1/2 GR8
3	244728	11FT MAIN AXLE(14, 16, 17, 20, 30, 33, & 36FT)
	244722	8FT MAIN AXLE ( 24 & 27FT)
4	88857	5/8NFX4 G 8 BOLT
5	W106012	WHL ASSY 385/R65X22.5
6	89273	5/8NF 2 POS LKNUT
7	24056	AXLE CLAMP
8	W104941	4-1/2X12 PHASING CYLINDER
9	W104654	CYL PIN (1-1/2 x 4.25)
10	88661	1/2NC TOP LKNUT
11	88507	1/2NCX3-1/2 GR5 BOLT
12	88110	3/4NC NUT
13	88130	3/4 LOCK WASHER

# LEVELING COMPONENTS



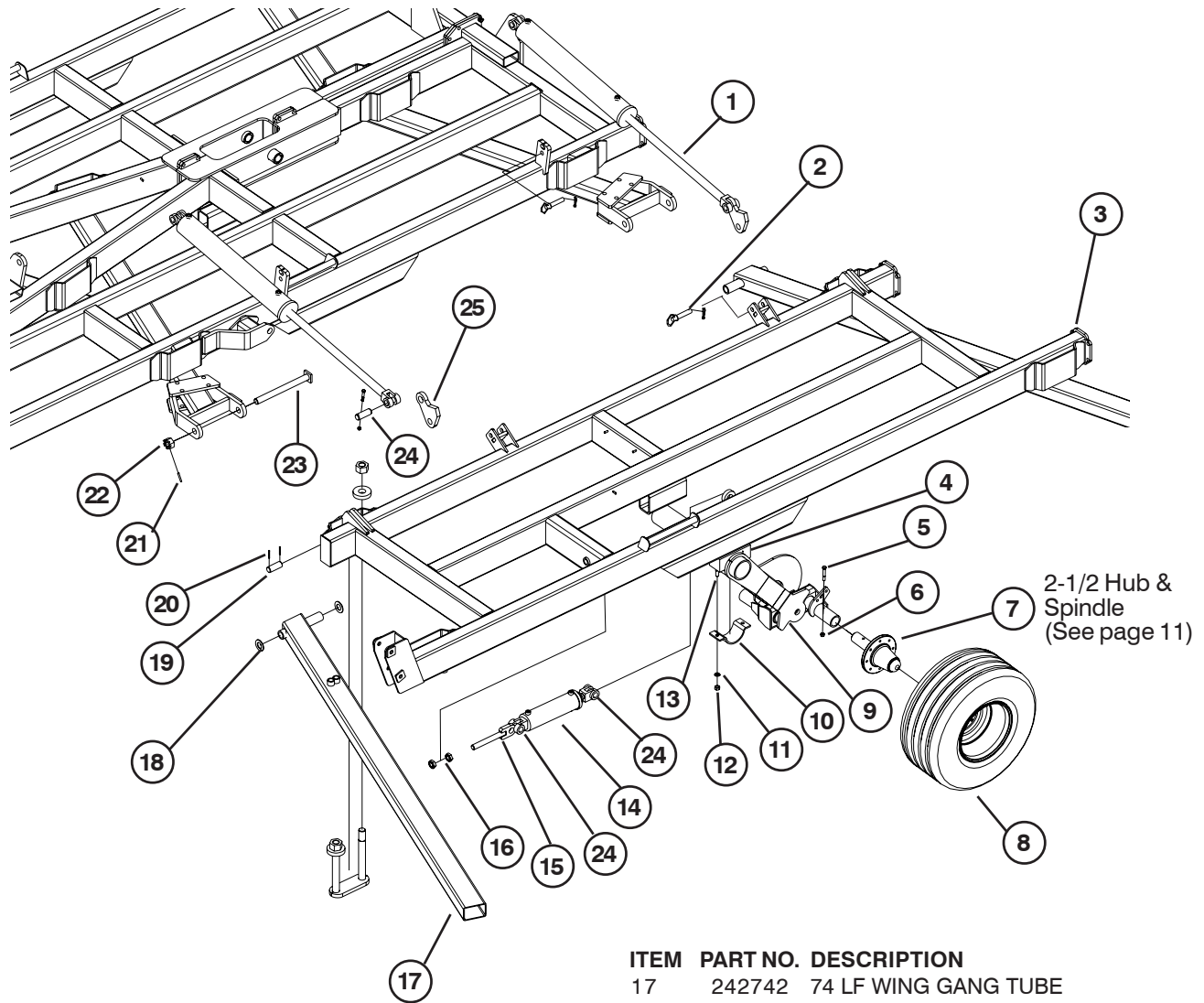
ITEM	PART NO.	DESCRIPTION
1	88110	3/4NC NUT
2	88130	3/4 LOCK WASHER
3	88604	3/4NCX2 GR5 BOLT
4	W105676B	LEVELING FLANGE
5	W105375	PIN (1-1/8X6-1/2)
6	88581	3/8NCX2-1/4 GR5 BOLT
7	88659	3/8NC TOP LOCK NUT
8	W105602B	BELLCRANK
9	W105375	PIN (1-1/8X6-1/2)
10	88661	1/2NC TOP LOCK NUT
11	88507	1/2NCX3-1/2 GR5 BOLT
12	W106383	PIN (2X15-3/8)
13	W106079B	LINK N-SERIES
14	W105373	PIN (1-1/8X7-1/4)

# LEVELING COMPONENTS



ITEM	PART NO.	DESCRIPTION
1	244705	SPRING STUB
2	W105924	LEVELING SPRING
3	W105707B	TRUNION
4	W103644B	LEVELING SPRING WASHER
5	244703	SCREW BASE

# WING FRAME



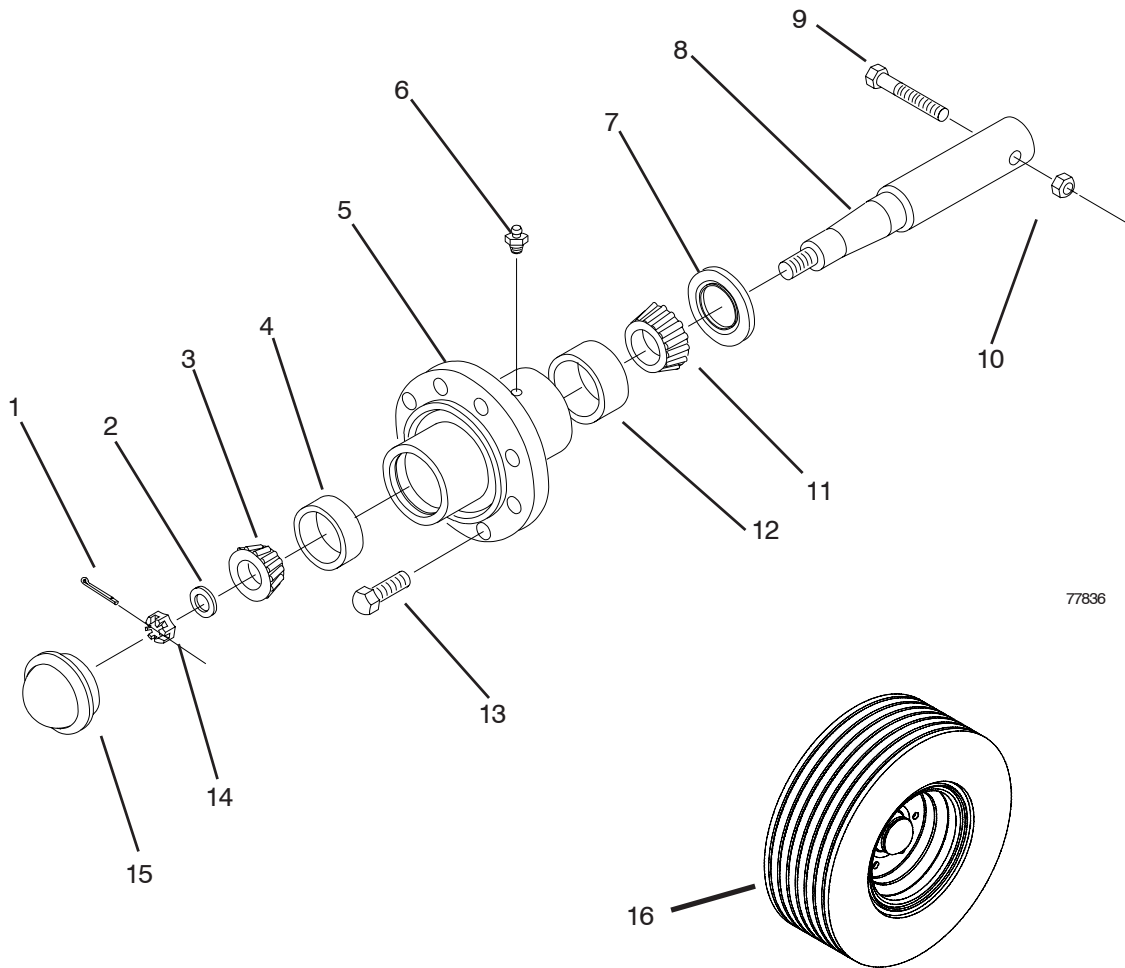
## ITEM PART NO. DESCRIPTION

1	W106386	FOLD CYLINDER (5X36)
2	243498	5/8X5 PIN WITH HAIRPIN
3	242571	LEFT 5FT WING (SHOWN)
	242570	RIGHT 5FT WING
	242679	LEFT 4FT WING
	242680	RIGHT 4FT WING
4	24076	AXLE CASTING
5	88857	5/8NFX4 BOLT
6	89273	5/8NF 2POS LOCK NUT
7	16154	2-1/2 HUB/SPINDLE (SEE PG 11)
8	W106012	WHL ASSY 385/R65X22.5
9	244727	LEFT 614NT AXLE (SHOWN)
	244726	RIGHT 614NT AXLE
10	24056	AXLE CLAMP
11	88130	3/4 LOCK WASHER
12	88110	3/4NC NUT
13	88939	3/4NCX5-1/2 BOLT
14	W104940	WING LIFT CYL (4X12)
15	242758	THREADED ADJUST ROD.
16	88622	1-1/4NC NUT - JAM

## ITEM PART NO. DESCRIPTION

17	242742	74 LF WING GANG TUBE
	242740	94 LF WING GANG TUBE
	242738	114 LF WING GANG TUBE
	242579	134 LF WING GANG TUBE
	242743	74 RF WING GANG TUBE
	242741	94 RF WING GANG TUBE
	242739	114 RF WING GANG TUBE
	242667	134 RF WING GANG TUBE
	242748	98 LR WING GANG TUBE
	242746	118 LR WING GANG TUBE
	242744	138 LR WING GANG TUBE
	242580	158 LR WING GANG TUBE
	242749	98 RR WING GANG TUBE
	242747	118 RR WING GANG TUBE
	242745	138 RR WING GANG TUBE
	242730	158 RR WING GANG TUBE
18	88616	1-1/2 FLAT WASHER
19	243398	1-1/2X4 PIN
20	42484	1/4X2-1/4 ROLL PIN
21	88605	5/16X2-1/4 ROLL PIN
22	27761	1-1/2NC NUT HEAVY SLOTTED
23	242761	1-1/2X16 PIN
24	W104654	CYL PIN (1-1/2 x 4.25)
25	242574	LINK

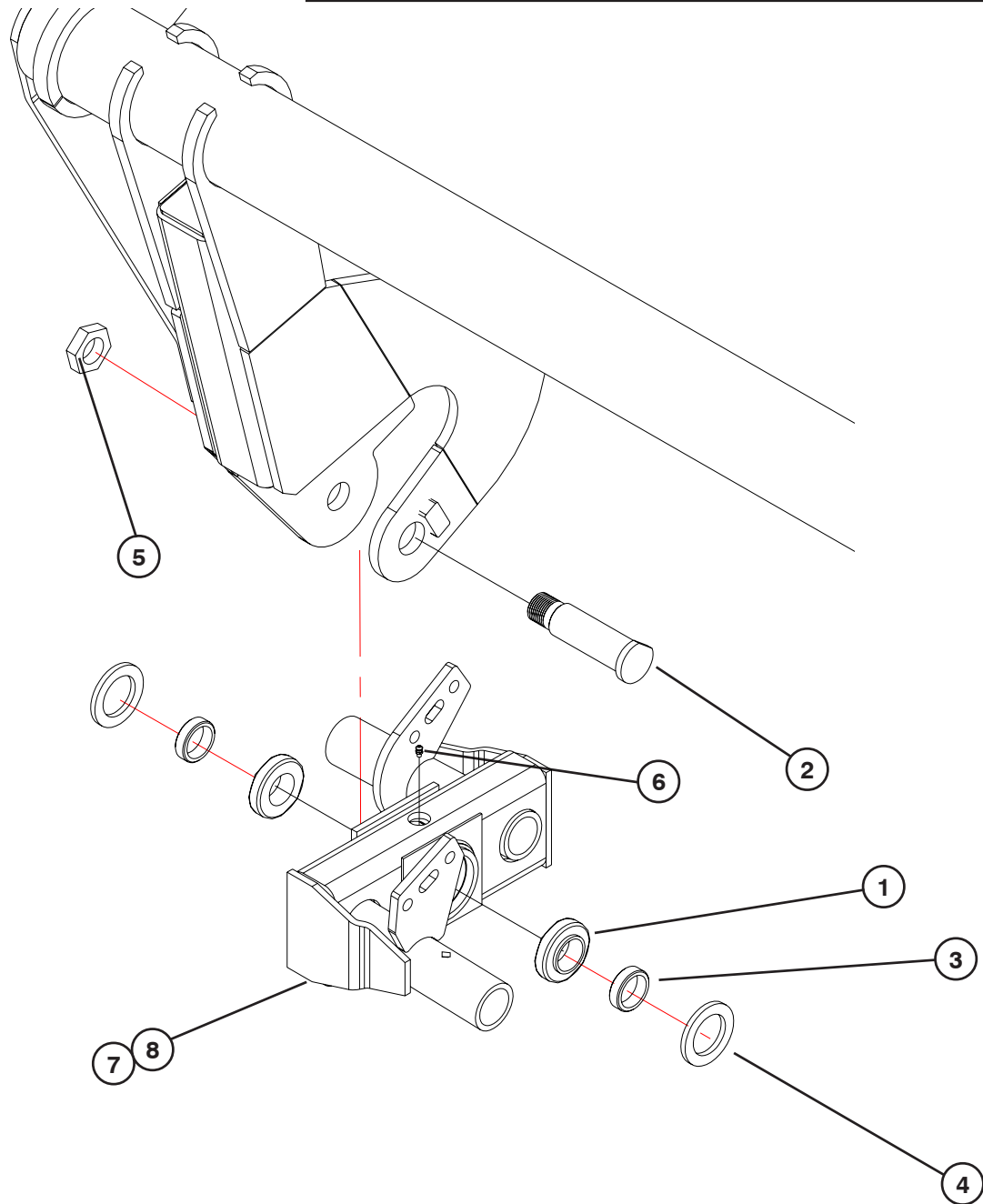
# 8-BOLT HUB & 2-1/2" SPINDLE



77836

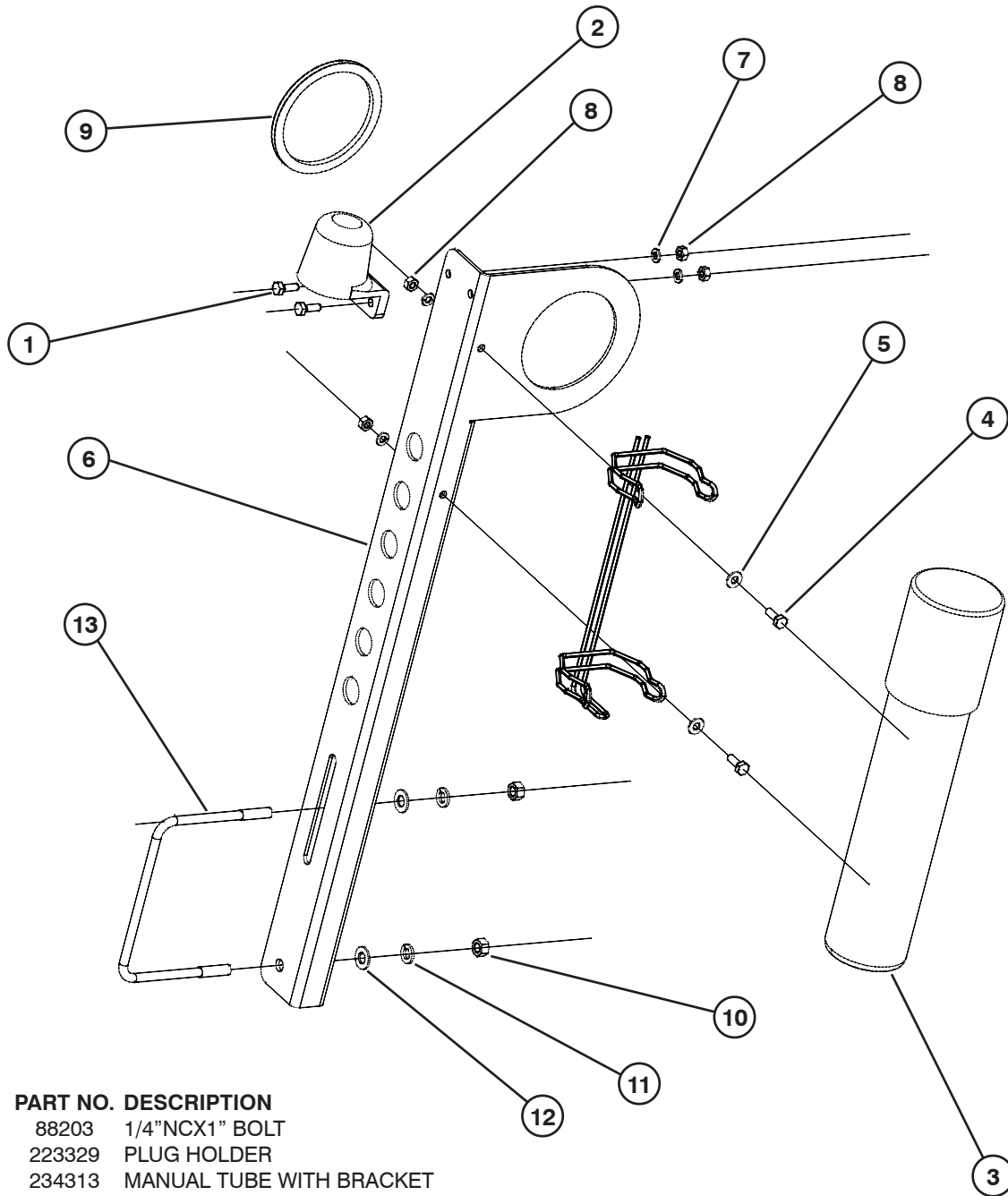
ITEM	PART NO	DESCRIPTION	ITEM	PART NO	DESCRIPTION
	16154	8-BOLT HUB & SPINDLE (RED) (INCLUDES ITEMS 1-8 & 11-15)	8	16156	2-1/2" AXLE SPINDLE (14-3/4)
1	88301	3/16x1-1/2 COTTER PIN	9	88298	5/8NCx4 GR5 BOLT
2	64050	2-1/2ODx1-1/16ID SPINDLE WASHER	10	88369	5/8NC LOCK NUT
3	16081	OUTER BEARING CONE (TIMKIN# 2790)	11	16083	INNER BEARING CONE (TIMKIN# 3780)
4	16082	OUTER BEARING CUP (TIMKIN# 2720)	12	16084	INNER BEARING CUP (TIMKIN# 3720)
5	41054	8-BOLT PRESSED HUB (INCLUDES ITEMS 4, 6 & 12)	13	63831	9/16NFx1-1/8 90° WHEEL BOLT
6	88143	1/4NPT GREASE FITTING	14	88299	1NF SLOTTED NUT
7	235298	2-1/2" TRIPLE LIP SEAL	15	16077	DUST CAP
			16	W106012	385/R65X22.5 WHEELASSY

# MAIN FRAME & WING TANDEM AXLE



ITEM	PART NO.	DESCRIPTION
1	12103	1-3/4" BEARING CONE (25580)
2	16277	TANDEM PIN
3	16278	BEARING BUSHING
4	23733	BEARING SEAL
5	42082	1-1/2"NF HYDRA JAM LK NUT
6	88550	FTG GRS 1/4-28 3038-B
7	243407	3X6X10 RIGHT WALKER (SHOWN)
8	243406	3X6X10 LEFT WALKER

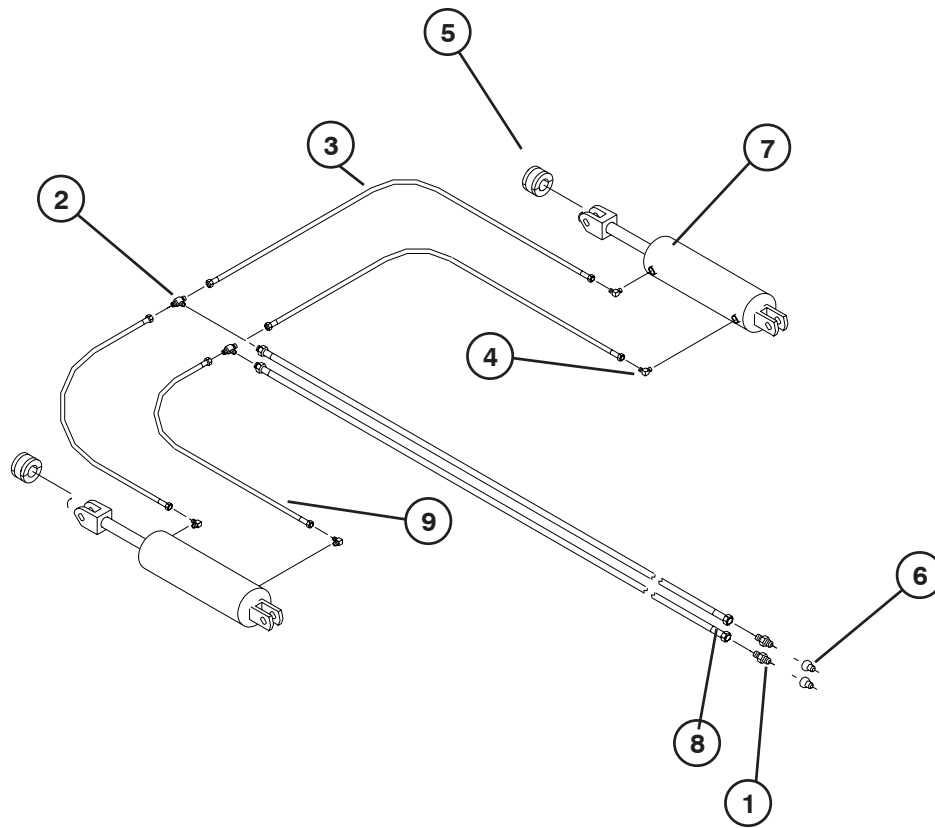
# UTILITY POLE



ITEM	PART NO.	DESCRIPTION
1	88203	1/4"NCX1" BOLT
2	223329	PLUG HOLDER
3	234313	MANUAL TUBE WITH BRACKET
4	88993	1/4"NCX3/4" BOLT
5	88261	1/4" FLAT WASHER
6	236142	HYD HOSE BRACKET
7	88262	1/4" LOCK WASHER
8	88172	1/4"NC HEX NUT
9	236092	RUBBER EDGE
10	88103	3/8"NC HEX NUT
11	88362	3/8" LOCK WASHER
12	88282	3/8" FLAT WASHER
13	89406	3/8"NCX6"X 5" U-BOLT

# DEPTH CONTROL HYDRAULICS

## 14-17 FT DISC



SEE PG. 7 FOR CYLINDER PINS

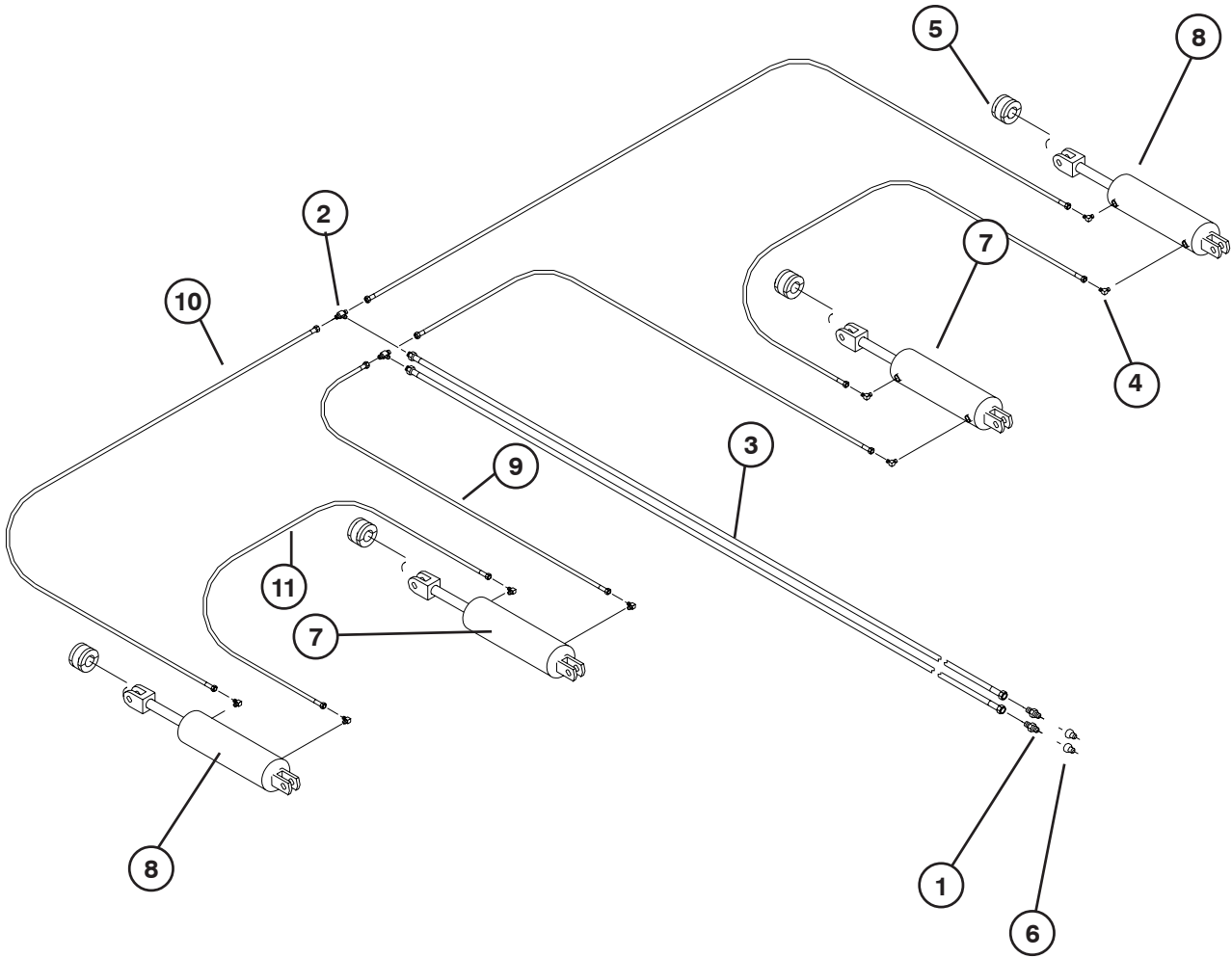
ITEM	PART NO.	DESCRIPTION
1	13234	ADP 8MJ X 8MPT
2	13238	TEE 8MJ X 8MJ X 8MJ
3	13265	HYD HOSE 3/8X56 8FJX-8FJX
4	25580	ELB 8MORB X 8MJ
5	W1920	CYL STOP PACKAGE
6	60640	QUICK DISCONNECT COUPLER
7	W104941	HYD CYL 4-1/2"X12" BP
	W104097	SEAL KIT
8	208563	HYD HOSE 1/2"x312" 8FJX-8FJX
9	25602	HYD HOSE 3/8X65 8FJX-8FJX

### **IMPORTANT**

Seal kits are the only service parts available for hydraulic cylinders

# DEPTH CONTROL HYDRAULICS

## 24-36 FT DISC



SEE PG. 7 FOR CYLINDER PINS

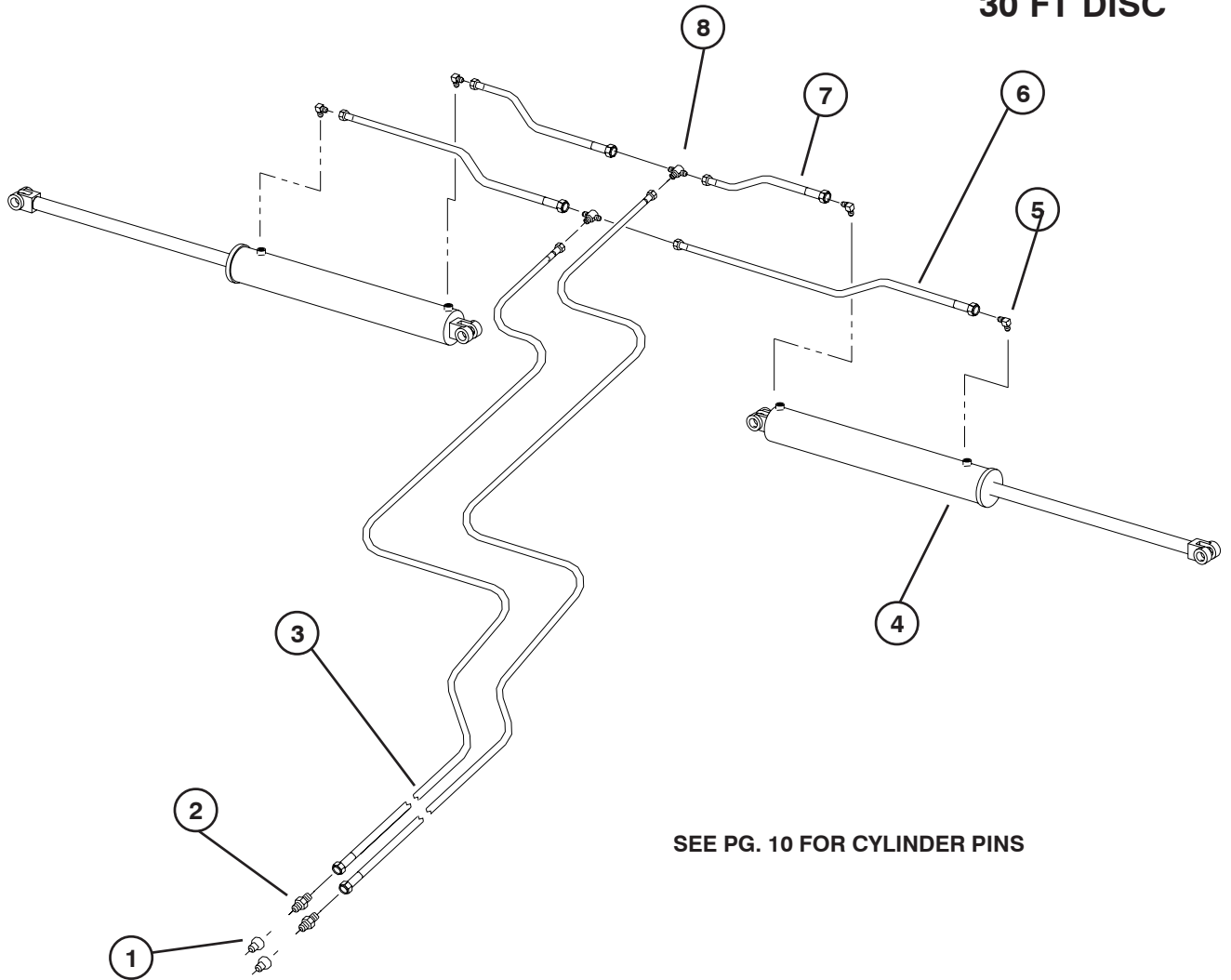
ITEM	PART NO.	DESCRIPTION
1	13234	ADP 8MJ X 8MPT
2	13238	TEE 8MJ X 8MJ X 8MJ
3	208563	HYD HOSE 1/2"x312" 8FJX-8FJX
4	25580	ELB 8MORB X 8MJ
5	W1920	CYL STOP PACKAGE
6	60640	QUICK DISCONNECT COUPLER
7	W104941	HYD CYL 4-1/2"X12" BP
	W104097	SEAL KIT
8	W104940	HYD CYL 4"X12" BP
	W103218	SEAL KIT
9	25602	HYD HOSE 3/8"x65" 8FJX-8FJX - 24-33FT
	25604	HYD HOSE 3/8"x183" 8FJX-8FJX - 36FT
10	67634	HYD HOSE 3/8"x132" 8FJX-8FJX - 24-27FT
	233689	HYD HOSE 3/8"x180" 8FJX-8FJX - 30-33FT
	234947	HYD HOSE 3/8"x194" 8FJX-8FJX - 36FT
11	13482	HYD HOSE 3/8"x108" 8FJX-8FJX - 24-27FT
	13484	HYD HOSE 3/8"x156" 8FJX-8FJX - 30-36FT

### IMPORTANT

Seal kits are the only service parts available for hydraulic cylinders

# WING FOLD HYDRAULICS

30 FT DISC



SEE PG. 10 FOR CYLINDER PINS

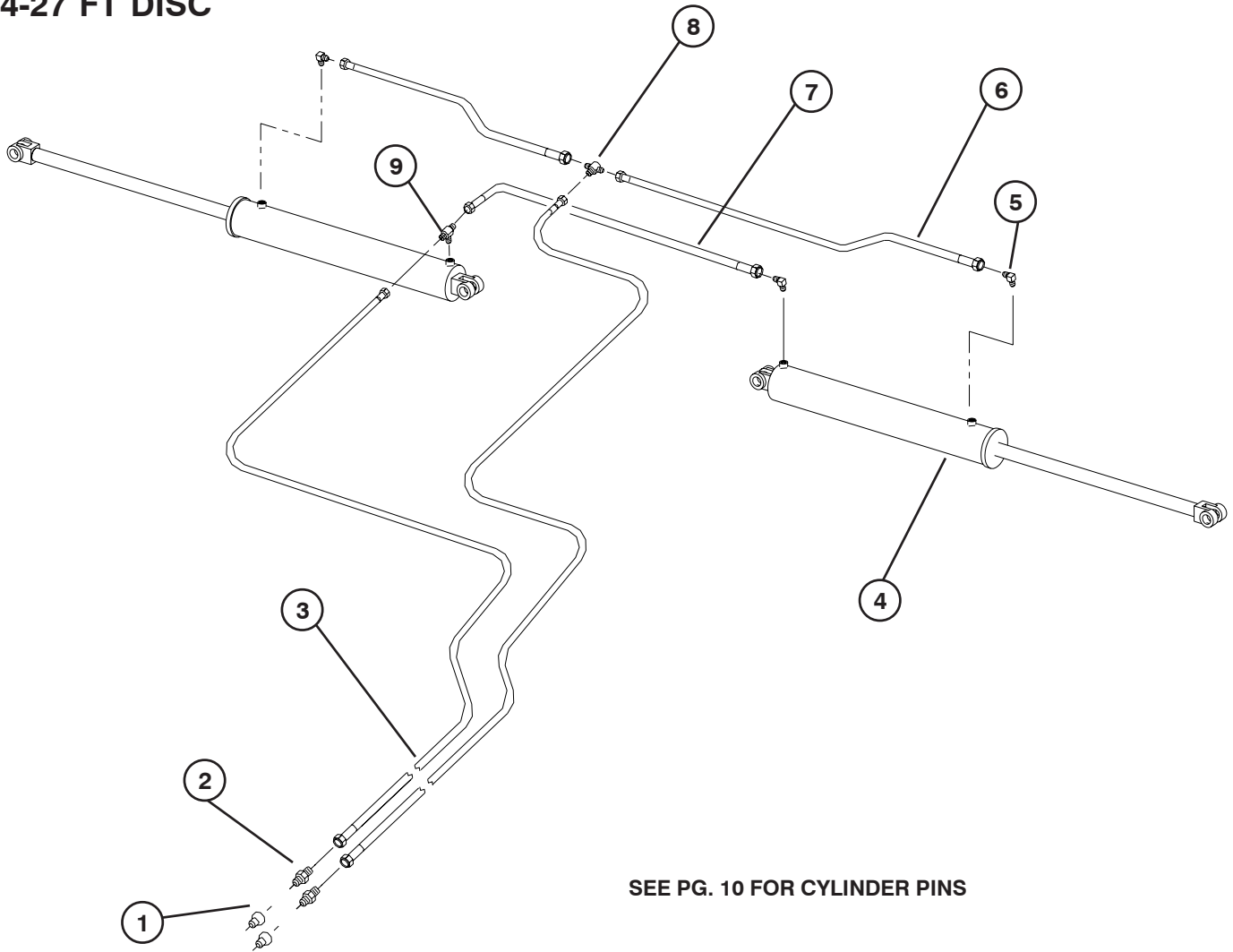
ITEM	PART NO.	DESCRIPTION
1	60640	QUICK DISCONNECT COUPLER
2	13234	ADP 8MJ X 8MPT
3	238618	HYD HOSE 3/8"x420" 8FJX-8FJX
4	W106386	5X36 HYD CYLINDER
	W104625	SEAL KIT
5	13236	ELB 8MJ X 8MPT
6	15515	HYD HOSE 3/8"x62" 8FJX-8FJX
7	13261	HYD HOSE 3/8"x30" 8FJX-8FJX
8	13238	TEE 8MJ X 8MJ X 8MJ

## **IMPORTANT**

**Seal kits are the only service parts available for hydraulic cylinders**

# WING FOLD HYDRAULICS

## 24-27 FT DISC



SEE PG. 10 FOR CYLINDER PINS

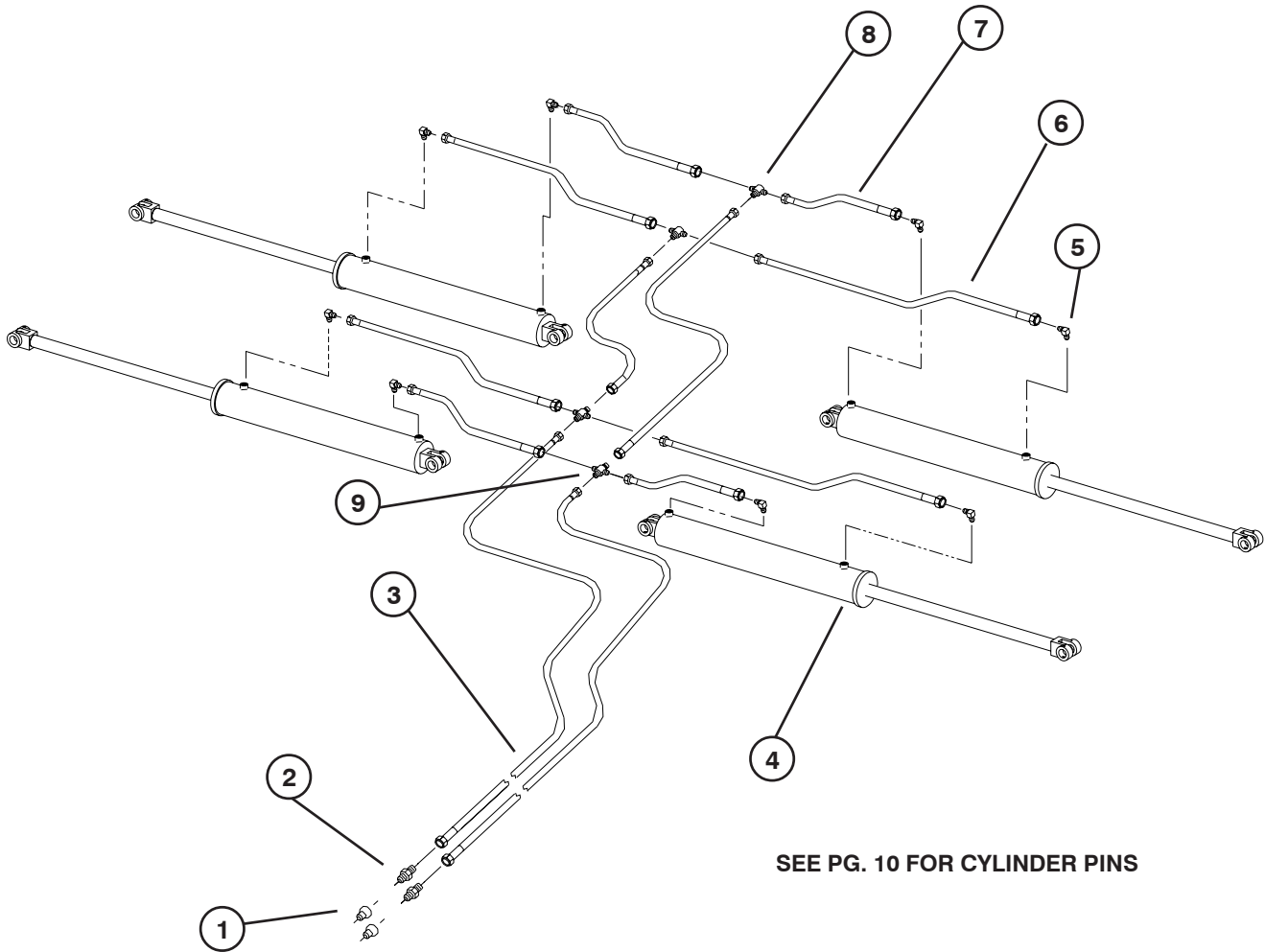
ITEM	PART NO.	DESCRIPTION
1	60640	QUICK DISCONNECT COUPLER
2	13234	ADP 8MJ X 8MPT
3	238618	HYD HOSE 3/8"x420" 8FJX-8FJX
4	W106386	5X36 HYD CYLINDER
	W104625	SEAL KIT
5	13236	ELB 8MJ X 8MPT
6	14851	HYD HOSE 3/8"x42" 8FJX-8FJX
7	13261	HYD HOSE 3/8"x30" 8FJX-8FJX
8	13238	TEE 8MJ X 8MJ X 8MJ
9	56534	TEE 8MJ X 8MJ X 8MORB

### **IMPORTANT**

**Seal kits are the only service parts available for hydraulic cylinders**

# WING FOLD HYDRAULICS

## 33-36 FT DISC



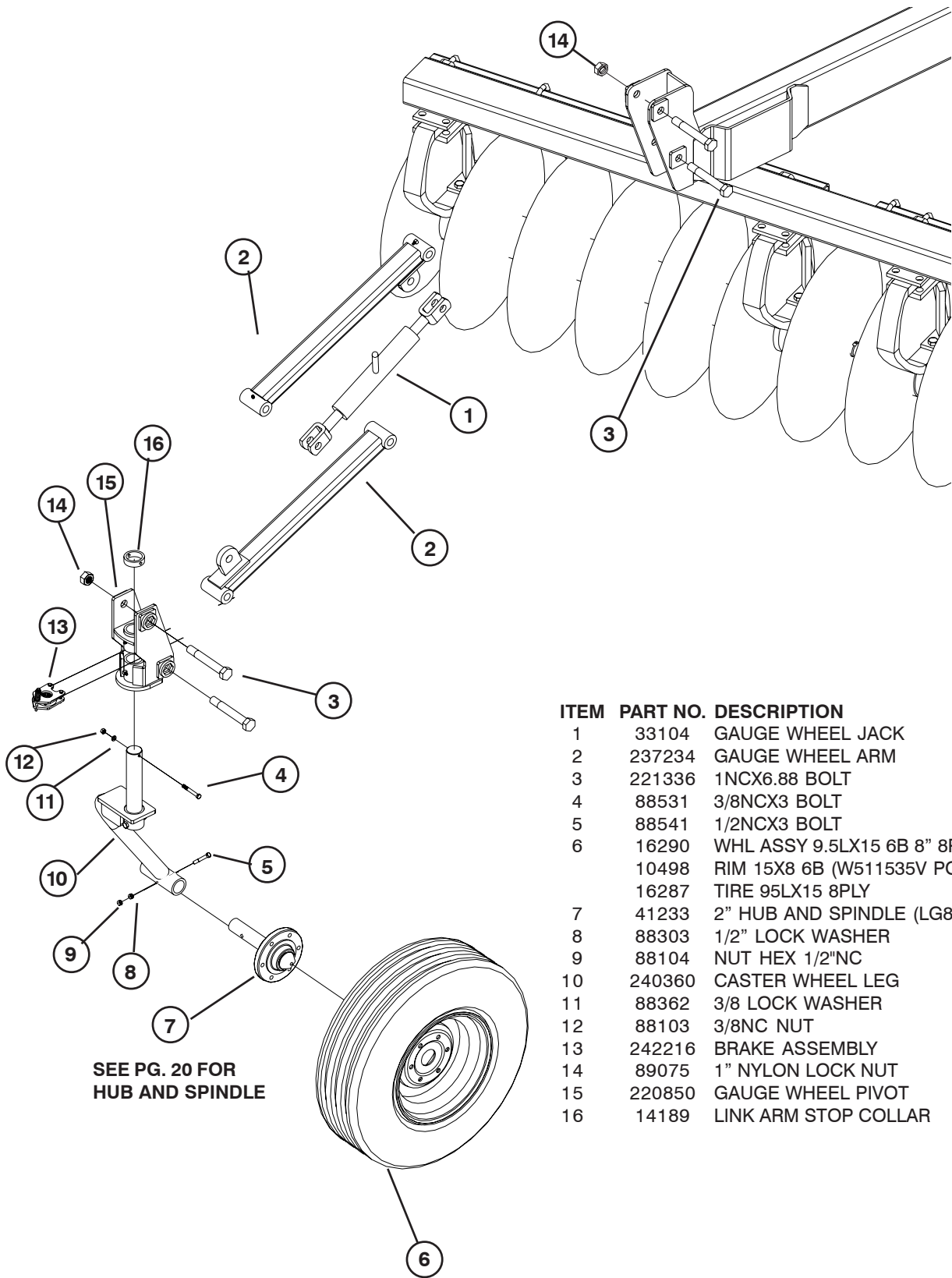
SEE PG. 10 FOR CYLINDER PINS

ITEM	PART NO.	DESCRIPTION
1	60640	QUICK DISCONNECT COUPLER
2	13234	ADP 8MJ X 8MPT
3	234939	HYD HOSE 3/8"x220" 8FJX-8FJX
4	W106386	5X36 HYD CYLINDER
	W104625	SEAL KIT
5	13236	ELB 8MJ X 8MPT
6	15515	HYD HOSE 3/8"x62" 8FJX-8FJX
7	13261	HYD HOSE 3/8"x30" 8FJX-8FJX
8	13238	TEE 8MJ X 8MJ X 8MJ
9	15910	CROSS 8MJ

### **IMPORTANT**

Seal kits are the only service parts available for hydraulic cylinders

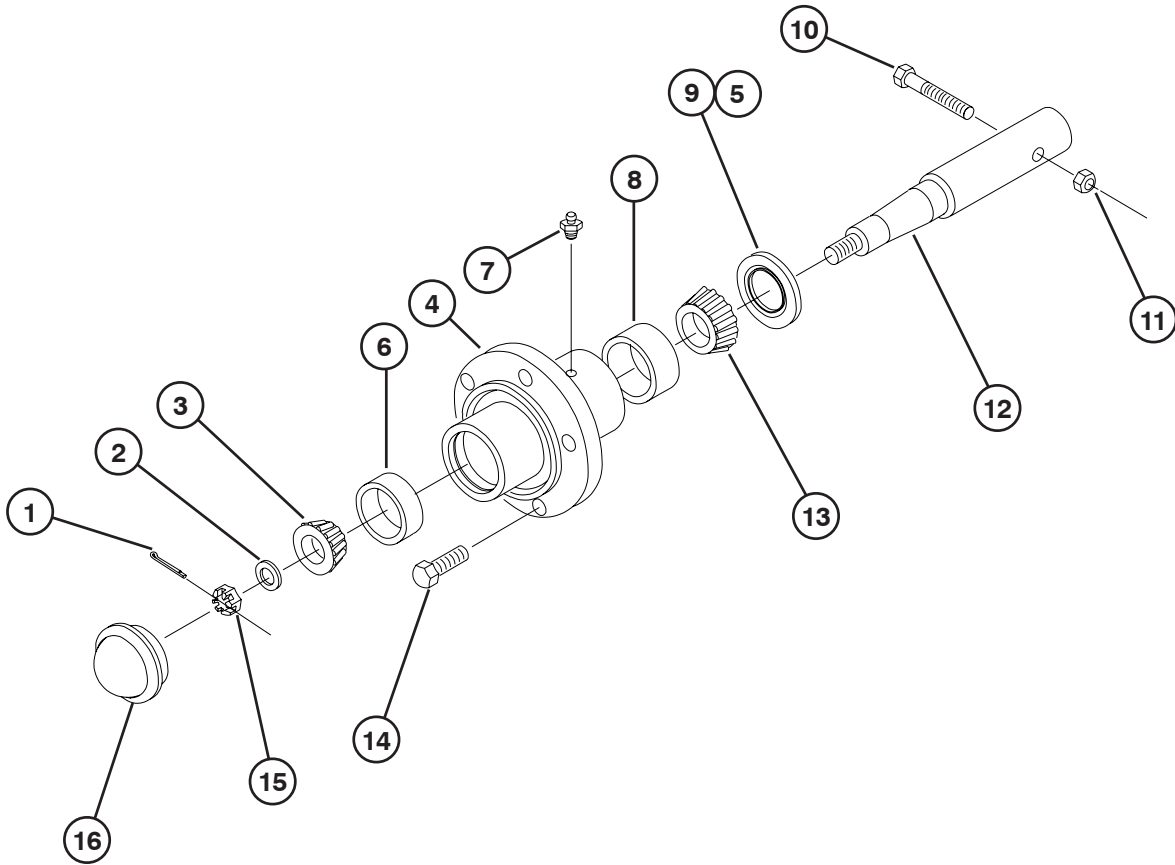
# CASTER GAUGE WHEEL



SEE PG. 20 FOR  
HUB AND SPINDLE

ITEM	PART NO.	DESCRIPTION
1	33104	GAUGE WHEEL JACK
2	237234	GAUGE WHEEL ARM
3	221336	1NCX6.88 BOLT
4	88531	3/8NCX3 BOLT
5	88541	1/2NCX3 BOLT
6	16290	WHL ASSY 9.5LX15 6B 8" 8PLY
	10498	RIM 15X8 6B (W511535V PO2)
	16287	TIRE 95LX15 8PLY
7	41233	2" HUB AND SPINDLE (LG8100001)
8	88303	1/2" LOCK WASHER
9	88104	NUT HEX 1/2"NC
10	240360	CASTER WHEEL LEG
11	88362	3/8 LOCK WASHER
12	88103	3/8NC NUT
13	242216	BRAKE ASSEMBLY
14	89075	1" NYLON LOCK NUT
15	220850	GAUGE WHEEL PIVOT
16	14189	LINK ARM STOP COLLAR

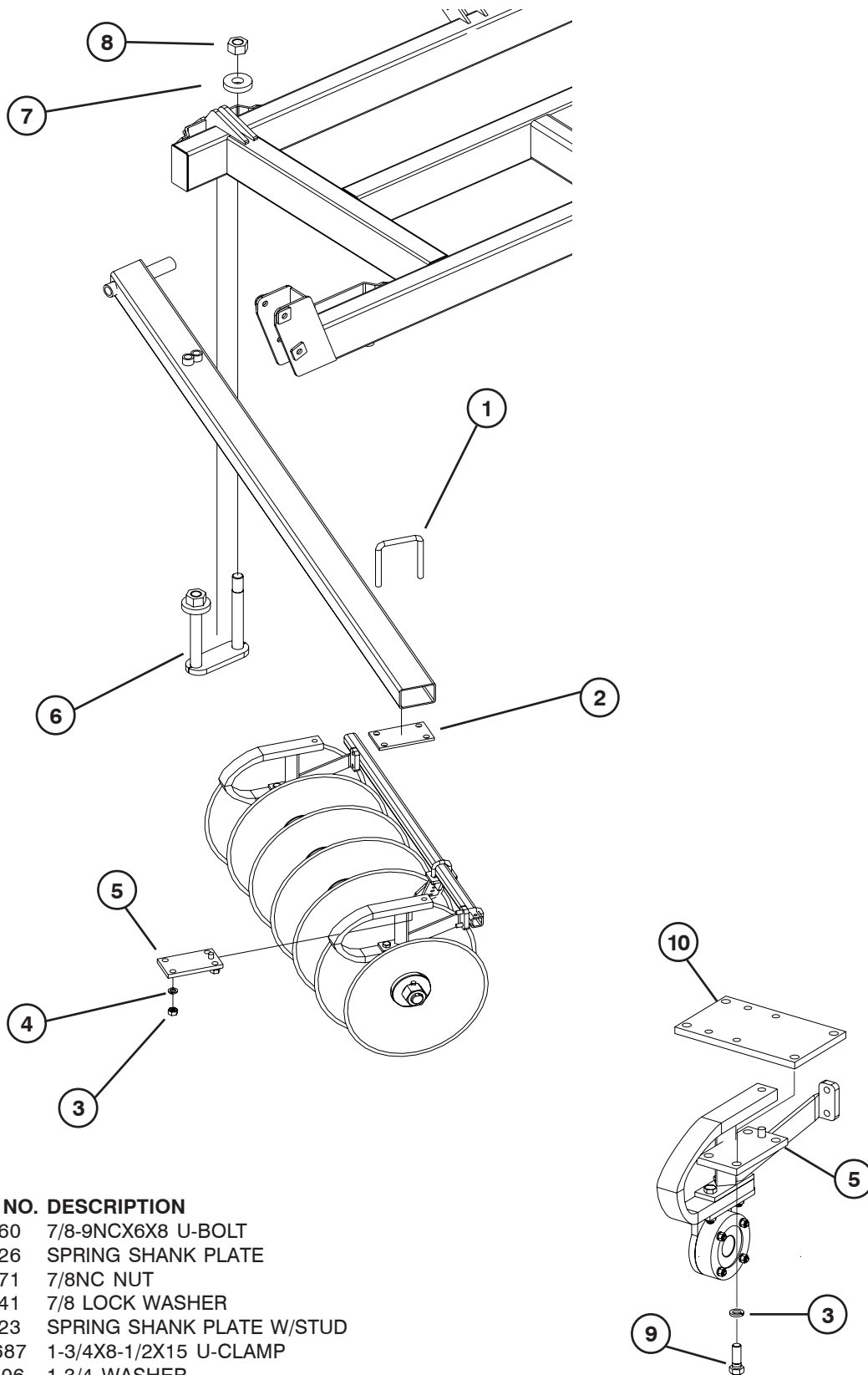
# 6-BOLT HUB & 1-3/4" SPINDLE



77836.PLT

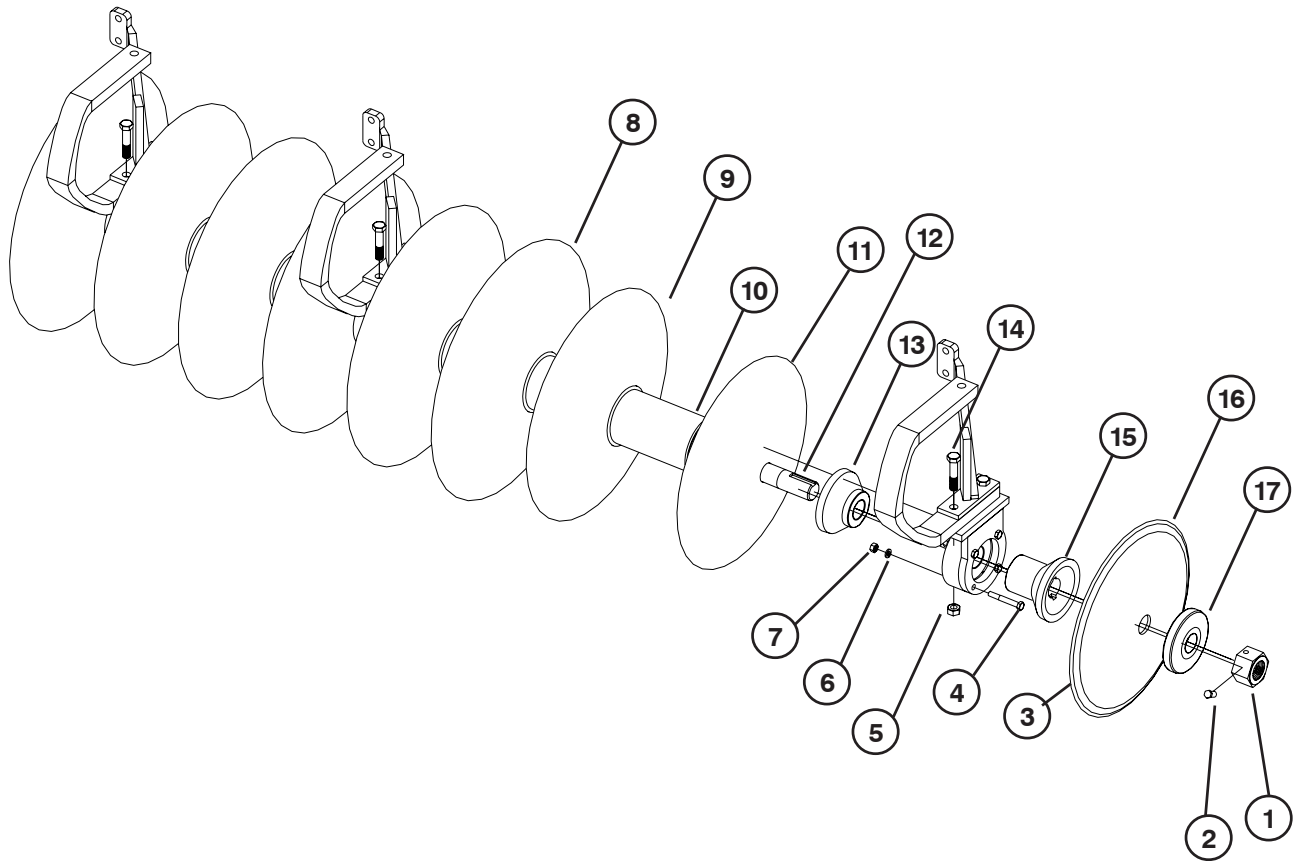
ITEM	PART NO.	DESCRIPTION
	41233	1-3/4" HUB & SPINDLE ASSY (INCLUDES 1-9 & 12-16)
1	88301	PIN COT 3/16DIAx1-1/2
2	16094	SPINDLE WASHER 7/8ID
3	10345	OUTER BEARING CONE (LM67048)
4	30405	1-3/4IN PRESSED HUB W/ CUPS
5	25586	WEAR SLEEVE
6	10344	OUTER BEARING CUP (LM67010)
7	88263	FTG GRS 1/8NPT 1610-BL(11/16")
8	11379	INNER BEARING CUP (LM29710)
9	25585	TRIPLE LIP SEAL
10	88541	1/2NCx3-1/4 GR5 BOLT
11	88363	NUT NEX CENTER LOCK 1/2NC
12	41232	1-3/4" SPINDLE X 11.12" LONG
13	11378	INNER BEARING CONE (LM29749)
14	88142	WHEEL BOLT 1/2NFx1 (13/16 HEAD)
15	88340	NUT SLTD 7/8NF
16	11381	DUST CAP

# DISC GANG ASSEMBLY



ITEM	PART NO.	DESCRIPTION
1	89460	7/8-9NCX6X8 U-BOLT
2	24026	SPRING SHANK PLATE
3	88371	7/8NC NUT
4	88341	7/8 LOCK WASHER
5	24123	SPRING SHANK PLATE W/STUD
6	242687	1-3/4X8-1/2X15 U-CLAMP
7	W1106	1-3/4 WASHER
8	W1105	1-3/4 NC NUT
9	88452	7/8NC X 3 BOLT GR5
10	243475	WIDE SHANK MOUNT PLATE

# DISC GANG ASSEMBLY



## ITEM PART NO. DESCRIPTION

1	W1506-9-16	2IN NUT DRILLED
2	89449	9/16NC X 1 BOLT GR8
3	25694	CSTG BGR SHORT 1.50 S 2.2 PT
4	88507	1/2NC X 3-1/2 BOLT GR 5
5	88611	3/4NC NUT GR5
6	88303	1/2IN LOCK WASHER
7	88104	1/2NC NUT GR 5
8	W104553	26IN BLADE
9	W516-24	24IN BLADE
10	W1203	FULL 10IN SPACER
11	W142-22	22IN BLADE
12	242711	2IN RND GANG SHAFT (47) (5 BLADE)
	242712	2IN RND GANG SHAFT (57) (6 BLADE)
	242713	2IN RND GANG SHAFT (67) (7 BLADE)
	242726	2IN RND GANG SHAFT (78) (8 BLADE)
	242714	2IN RND GANG SHAFT (87) (9 BLADE)
	242715	2IN RND GANG SHAFT (97) (10 BLADE)
	242768	2IN RND GANG SHAFT (107) (11 BLADE)

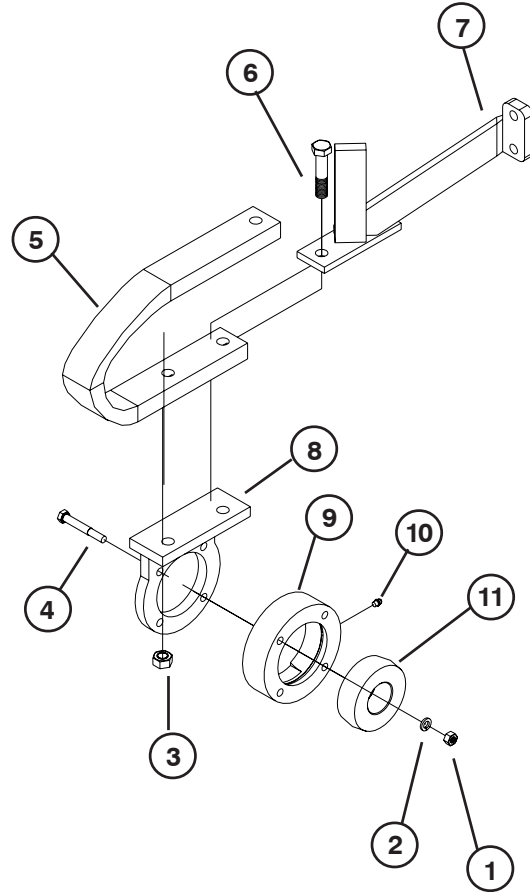
## ITEM PART NO. DESCRIPTION

13	W105283	SPACER 2.75 OAL
14	88111	3/4NC X 3-1/2 BOLT GR 5
15	W106804	SPACER 5.375 OAL
16	W107270	20IN BLADE
17	W106923	END WASHER

# BEARING ASSEMBLY

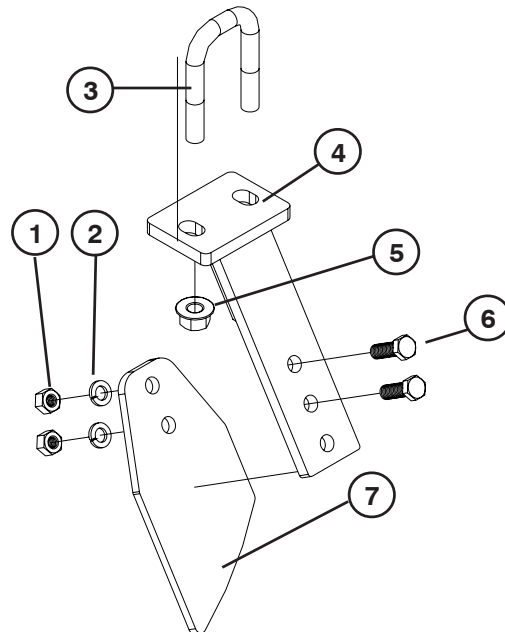
242718 614NT STANDARD BEARING ASSEMBLY LH  
 242717 614NT STANDARD BEARING ASSEMBLY RH

ITEM	PART NO.	DESCRIPTION
1	88104	1/2NC NUT
2	88303	1/2 IN LOCK WASHER
3	88611	3/4NC LOCK NUT
4	88507	1/2NC X 3-1/2 BOLT GR5
5	W102174	R OFFSET C-SPRING
	W102173	L OFFSET C-SPRING
6	88111	3/4NC X 3-1/2 GR5
7	243454	RIGHT SCRAPER BRACKET
	243453	LEFT SCRAPER BRACKET
8	W107665	BEARING MOUNT
9	W1103-214	BEARING HOUSING
10	88263	FTG GRS 1/8NPT 1610-BL(11/16")
11	W1102-214	2IN BEARING



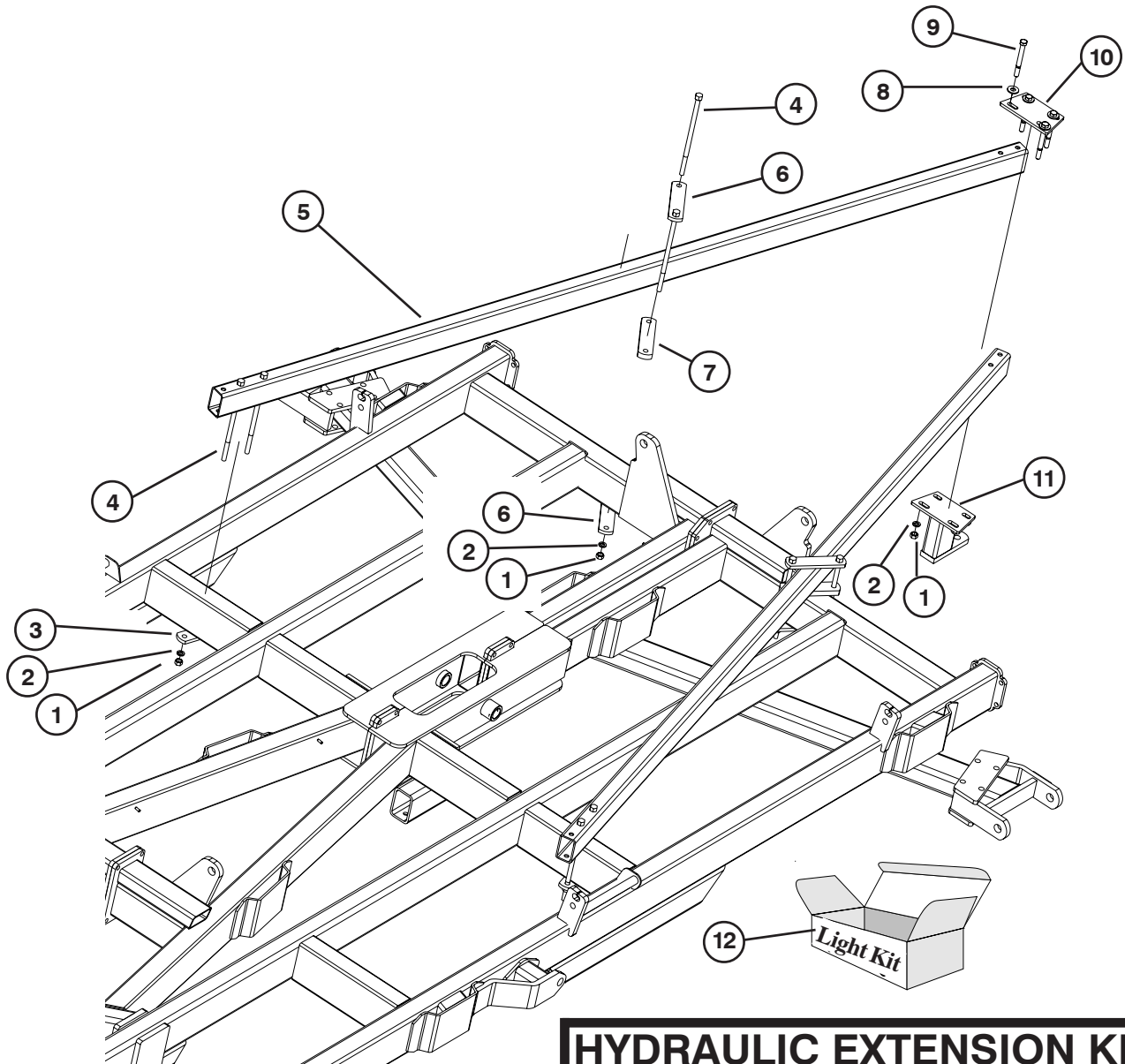
# STANDARD SCRAPER

ITEM	PART NO.	DESCRIPTION
1	88104	1/2NC NUT
2	88303	1/2 IN LOCK WASHER
3	W106084	U-BOLT 5/8NCX2X3-7/8
4	W105304	SCRAPER MOUNT
5	89448	5/8NC FLANGE NUT
6	88475	1/2NC X 1-1/2 GR 5
7	W105216	SCRAPER BLADE



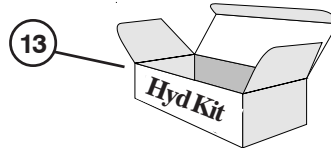


# REAR HITCH



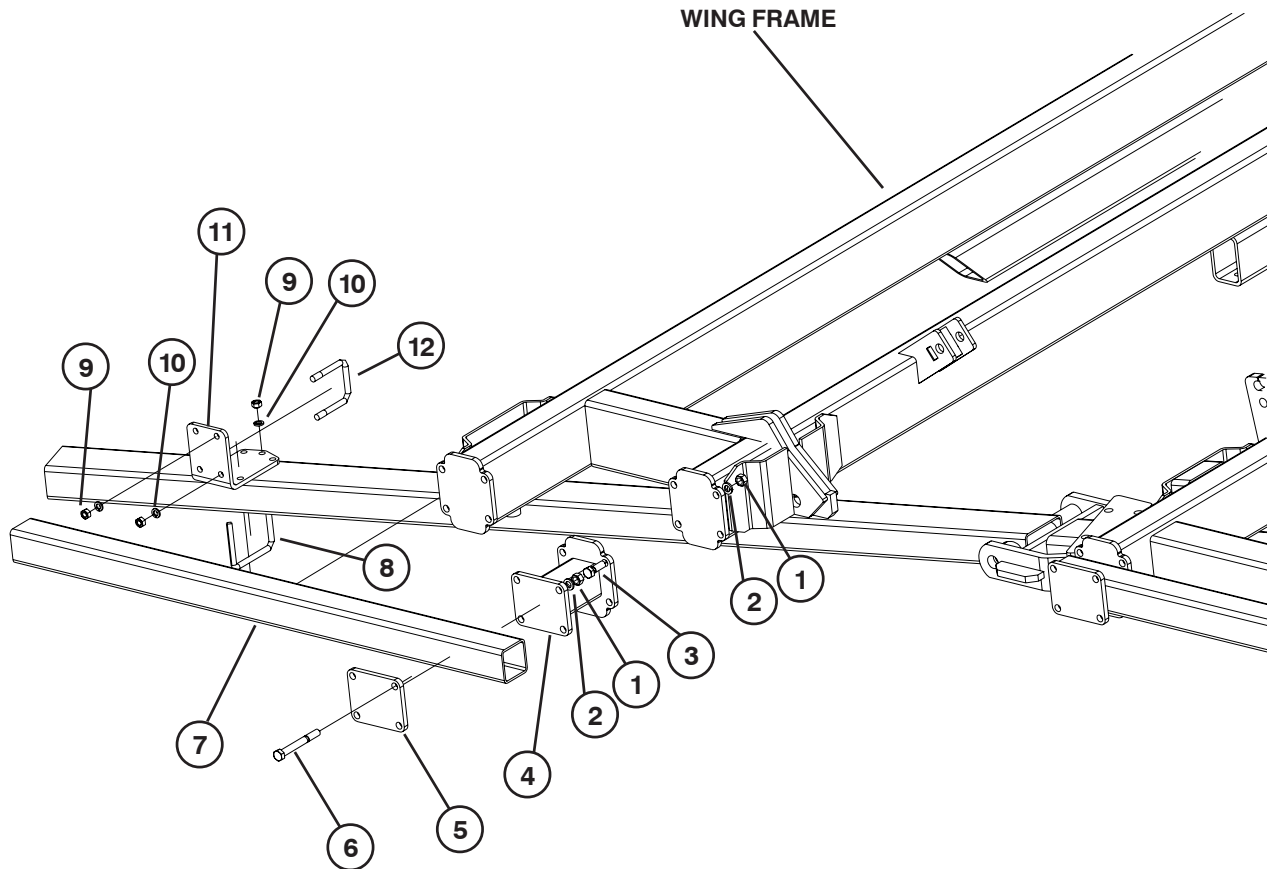
ITEM	PART NO.	DESCRIPTION
1	88110	NUT HEX 3/4"NC
2	88130	WSHR HLK 3/4ID(13/16ACT) Z
3	243472	5/8X2-1/2X5-1/4 STRAP
4	67076	3/4-10NCX16.5 SPECIAL BOLT
5	240827	REAR HITCH TUBE
6	243473	5/8X2-1/2X8-1/2 STRAP
7	243474	1X2-1/2X8-1/2 STRAP
8	88131	FLAT WASHER 3/4"
9	88335	BLT HEX 3/4-10NCX7 5Z
10	240828	HITCH PLATE
11	56808	TONGUE MOUNT
12	236099	SAFETY LIGHT EXTENSION
13	238778	HYDRAULIC EXTENSION PKG,REAR HITCH

# HYDRAULIC EXTENSION KIT



ITEM	PART NO.	DESCRIPTION
1	13234	ADP 8MJ X 8MPT
2	236169	DOUBLE BREAK-AWAY CLAMP (5006-4)
3	236170	DOUBLE ACTING FEMALE CPLR (4250-4P)
4	238618	HSE 3KPSI 3/8X420 8FJX-8FJX
5	238780	QUICK COUPLER MOUNT PLATE
6	60640	QUICK DISCONNECT COUPLER
7	88103	NUT HEX 3/8-16NC 5Z
8	88362	WSHR HLK 3/8ID Z
9	89347	BLT-U 3/8-16NCX3X5 Z

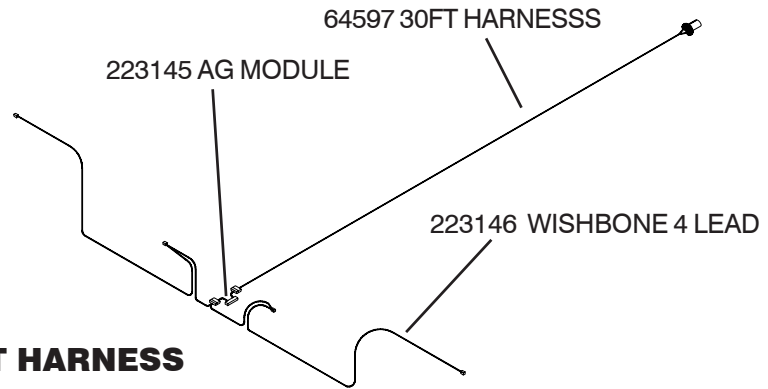
# HARROW MOUNTING COMPONENTS



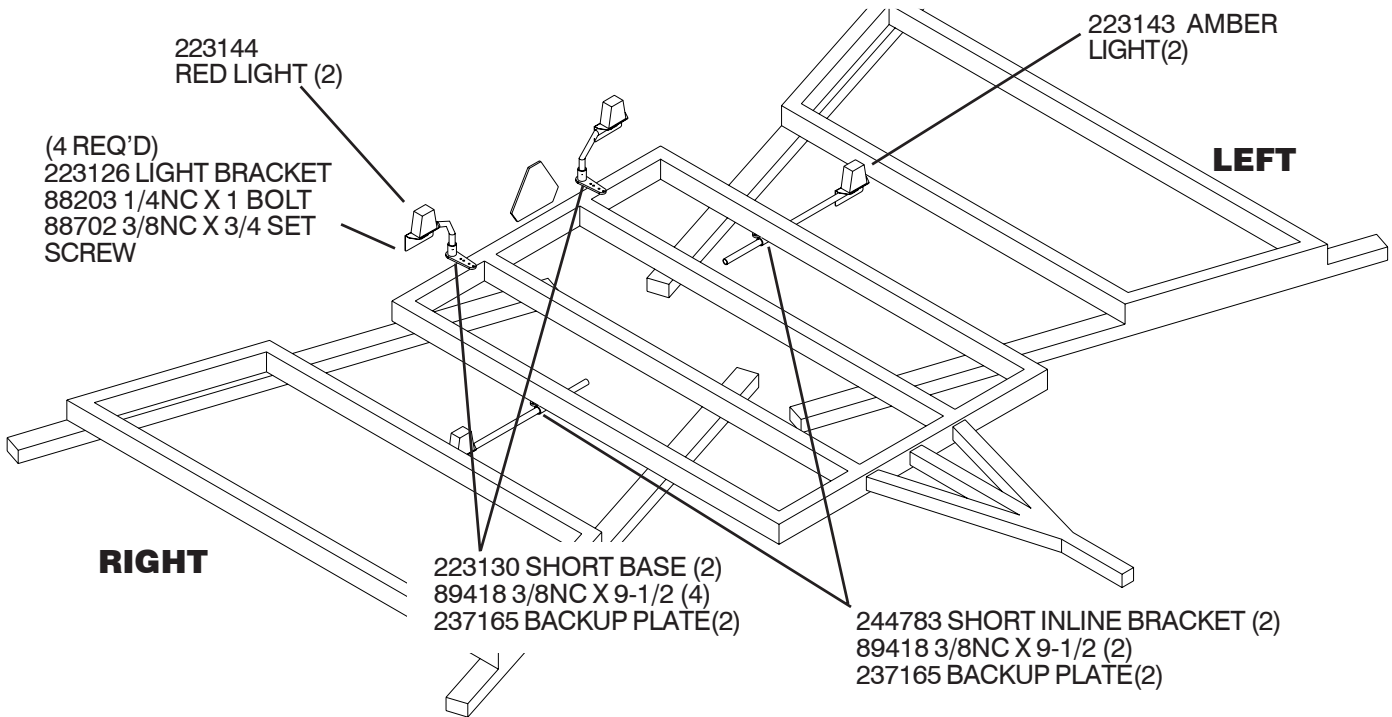
ITEM	PART NO.	DESCRIPTION
1	88110	NUT HEX 3/4"NC
2	88130	WSHR HLK 3/4ID(13/16ACT) Z
2	88126	NUT HEX 5/8"NC
3	88578	3/4"NCx2-1/4" GR5 HEX BOLT
4	243437	STANDOFF TUBE (8-5/8")
	243436	STANDOFF TUBE (17-3/4")
5	239158	4 HOLE PLATE (7.5 X 6.25)
6	89130	3/4"NCx6-1/2" GR5 HEX BOLT
7	243459	4SQ X 120 TUBE (BLACK)
	243460	4SQ X 132 TUBE (BLACK)
	243461	4SQ X 70 TUBE (BLACK)
8	89093	5/8"NCx6"x5-1/2" GR5 U-BOLT
9	88126	NUT HEX 5/8"NC
10	88129	WSHR HLK 5/8ID(11/16ACT) Z
11	243440	TUBE BRACE
12	88145	BLT-U 5/8-11NCX4X5-1/4

# LIGHTS

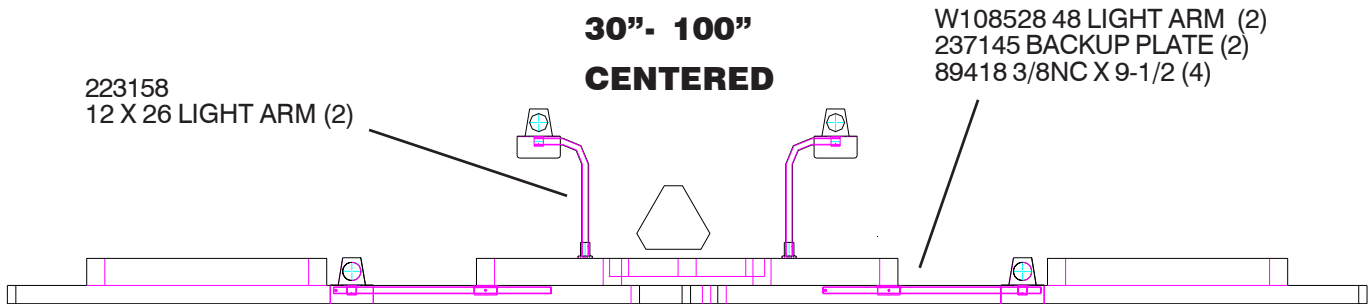
**NOTE: MOUNT THE RED LIGHTS AS REARWARD AS PRACTICAL ON THE CENTER FRAME. SPACE EVENLY, 2' TO 5' FROM THE MACHINE CENTER.**



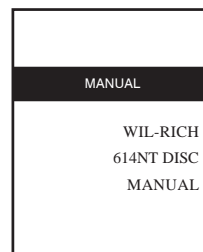
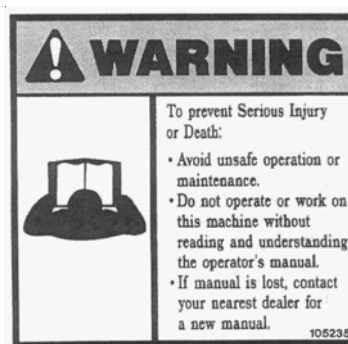
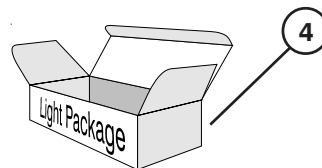
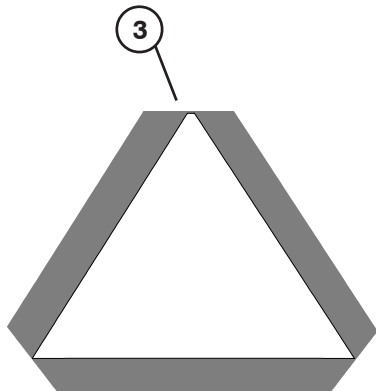
**NOTE: ROUTE LIGHT HARNESS THRU LIGHT ARMS**



**NOTE: MOUNT AMBER LIGHTS AS WIDE AS POSSIBLE. THE AMBER LIGHTS MUST BE MOUNTED NO MORE THAN 16" FROM THE IMPLEMENT EXTREMITIES, WHEN WINGS ARE FOLDED.**



# DECALS



ITEM	PART NO	DESCRIPTION
1	243479	WIL-RICH DECAL
2	243347	614NT DECAL
3	41345	SMV KIT
4	243499	CLEARANCE LIGHT PACKAGE
5	W105233	PINCH POINT WARNING
6	W105235	WARNING DECAL
7	W105234	OVERHEAD WARNING DECAL
8	W104157	WHEEL NUTS CAUTION
9	74296	614NT DISC OP MANUAL
10	22372	AMBER REFLECTOR