

FD 3000 / FD 4000



Varaosakirja
Reservdelsbok
Spare parts list
Reservdelsliste
Ersatzteilliste
Onderdelelijst
Liste de pièce de rechange
Listino di prezzi de ricambio



OY KONGSKILDE JUKO LTD
Opintie 4, FIN-23100 Mynämäki
Finland

Tel: +358-2-4393200
Fax: +358-2-4393210

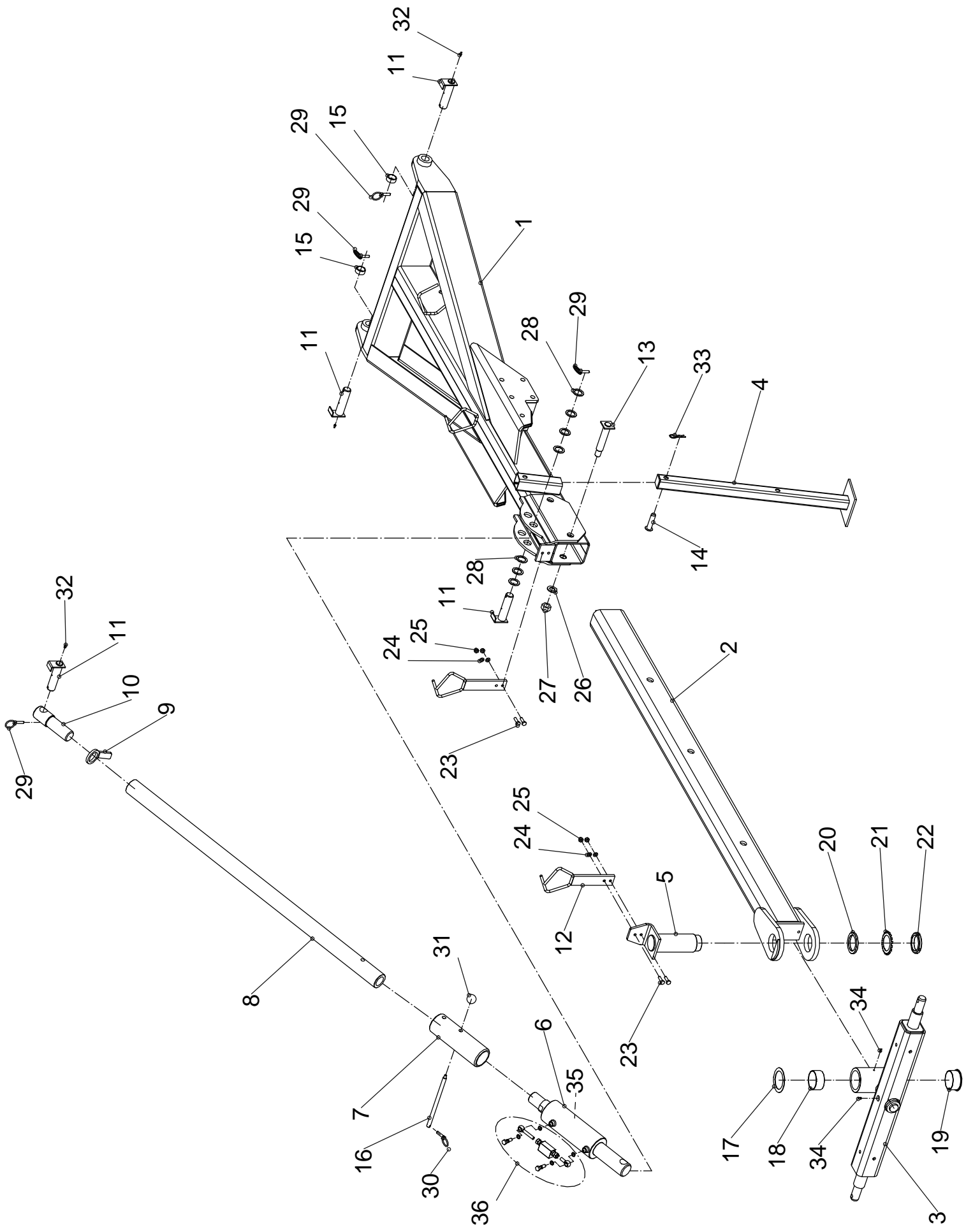


Year

Typ

Nr.

Kg



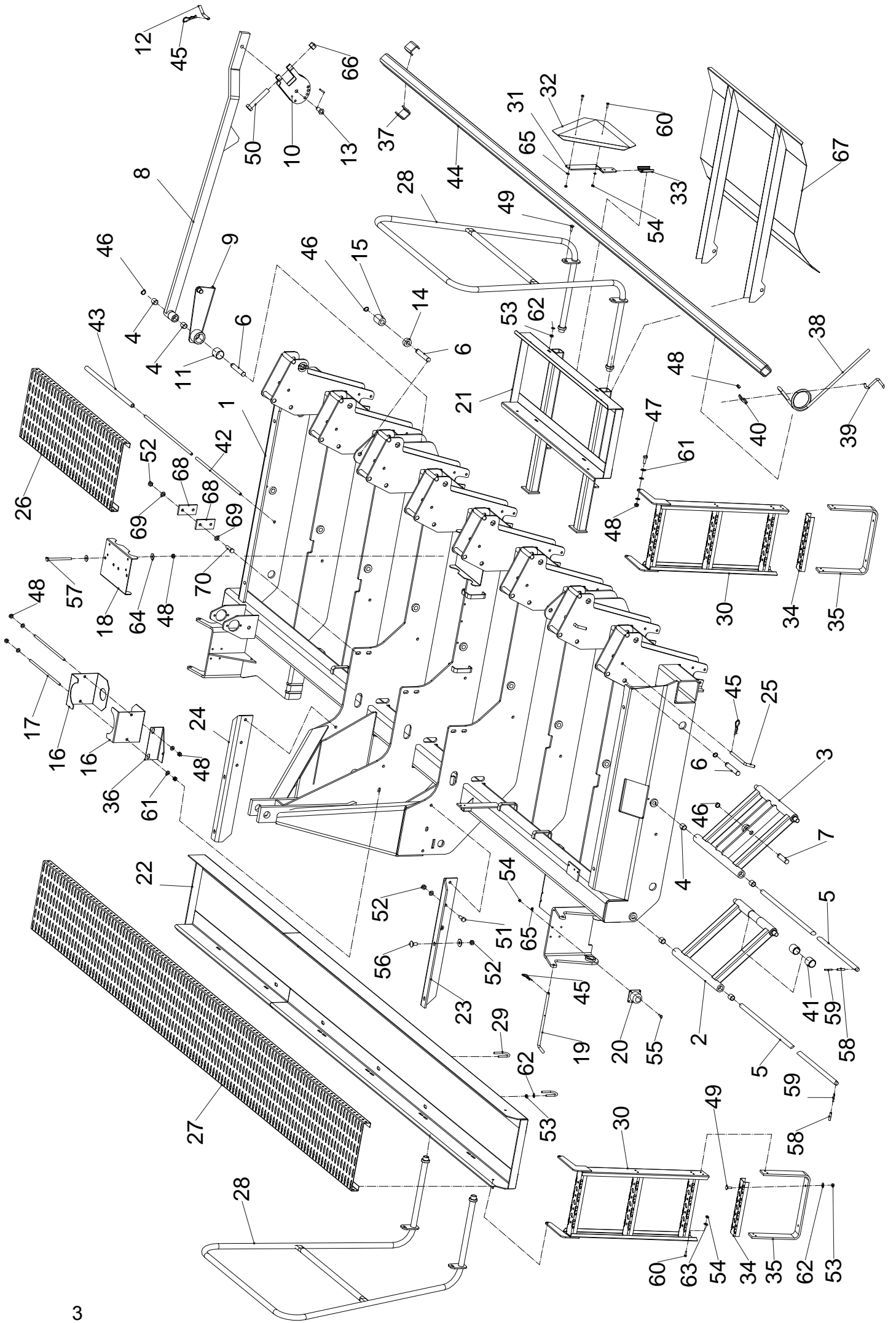
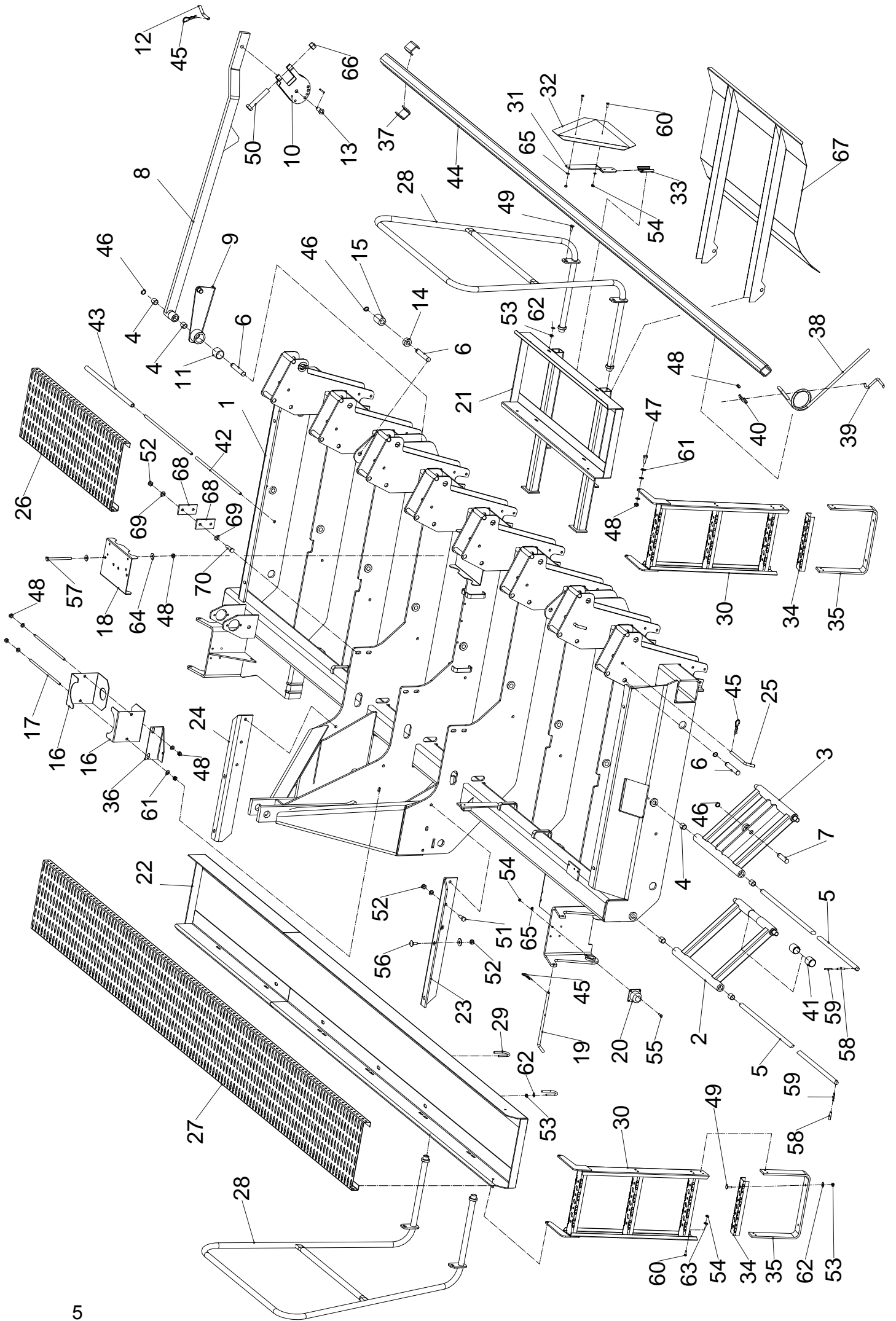


Fig.	Part no.	Pieces		Pieces		Pieces		Notes
		3000C	4000C	3000M	4000M	3000S	4000S	
1	500 237 160		1		1		1	
1	500 237 150	1		1		1		
2	500 237 486	6	8	6	8	6	8	
3	500 237 487	6	8	6	8	6	8	
4	500 021 168	28	36	28	36	28	36	MSM2025-20
5	500 037 161		2		2		2	
5	500 037 151	2		2		2		
6	500 037 447	10	12	10	12	10	12	
7	500 037 448	6	8	6	8	6	8	
8	500 237 509	2	2	2	2	2	2	
9	500 237 516	2	2	2	2	2	2	
10	500 237 577	2	2	2	2	2	2	
11	500 087 593	2	2	2	2	2	2	40/45*40
12	500 014 410	2	2	2	2	2	2	
13	500 041 118	2	2	2	2	2	2	
14	500 037 169	2	2	2	2	2	2	
15	500 037 168	2	2	2	2	2	2	
16	500 237 634	2	2	2	2	2	2	
17	500 237 639	2	2	2	2	2	2	
18	5237 160 W25	1	1	1	1	1	1	
19	500 237 514	2	2	2	2	2	2	
20	500 237 517	2	2	2	2	2	2	
21	500 237 303	3	4	3	4	3	4	
22	500 237 305		1		1		1	
22	500 237 311	1		1		1		
23	500 237 306	1	1	1	1	1	1	left
24	500 237 307	1	1	1	1	1	1	right
25	500 237 308	6	8	6	8	6	8	
26	500 237 309	3	4	3	4	3	4	L=960
27	500 237 310		1		1		1	L=3360
27	500 237 312	1		1		1		L=2370
28	500 237 304	5	7	5	7	5	7	
29	500 237 313	4	6	4	6	4	6	DN25
30	500 237 301	3	3	3	3	3	3	
31	500 090 168	1	1	1	1	1	1	
32	500 041 245	1	1	1	1	1	1	
33	500 090 663	1	1	1	1	1	1	
34	500 237 315	3	3	3	3	3	3	
35	500 237 316	3	3	3	3	3	3	
36	500 237 815	1	1	1	1	1	1	
37	500 237 578	4	4	4	4	4	4	only max-flow
38	500 037 597	25	33	25	33	25	33	straight tine
38	7000045885	33	44	33	44	33	4	max-flow
39	500 037 598	25	33	25	33	25	33	straight tine
39	7002151941	33	44	33	44	33	44	max-flow
40	500 037 599	25	33	25	33	25	33	straight tine
41	500 037 460	12	16					
42	500 237 131		1					
42	500 237 132	1						
43	500 237 130	6	8					
44	500 002 339		1		1		1	50*50 straight tine
44	500 002 338	1		1		1		50*50 straight tine
44	500 037 684		1		1		1	40*40 max-flow
44	500 002 272	1		1		1		40*40 max-flow
45		10	12	10	12	10	12	pin D4 DIN11024
46		16	20	16	20	16	20	A20
47		6	6	6	6	6	6	M10*30 hex head
48		12	12	12	12	12	12	M10 lock nut
49		22	28	22	28	22	28	M8*25 DIN603 lock screw
50		2	2	2	2	2	2	M20*120 hex head
51		6	6	6	6	6	6	M12*35 hex head



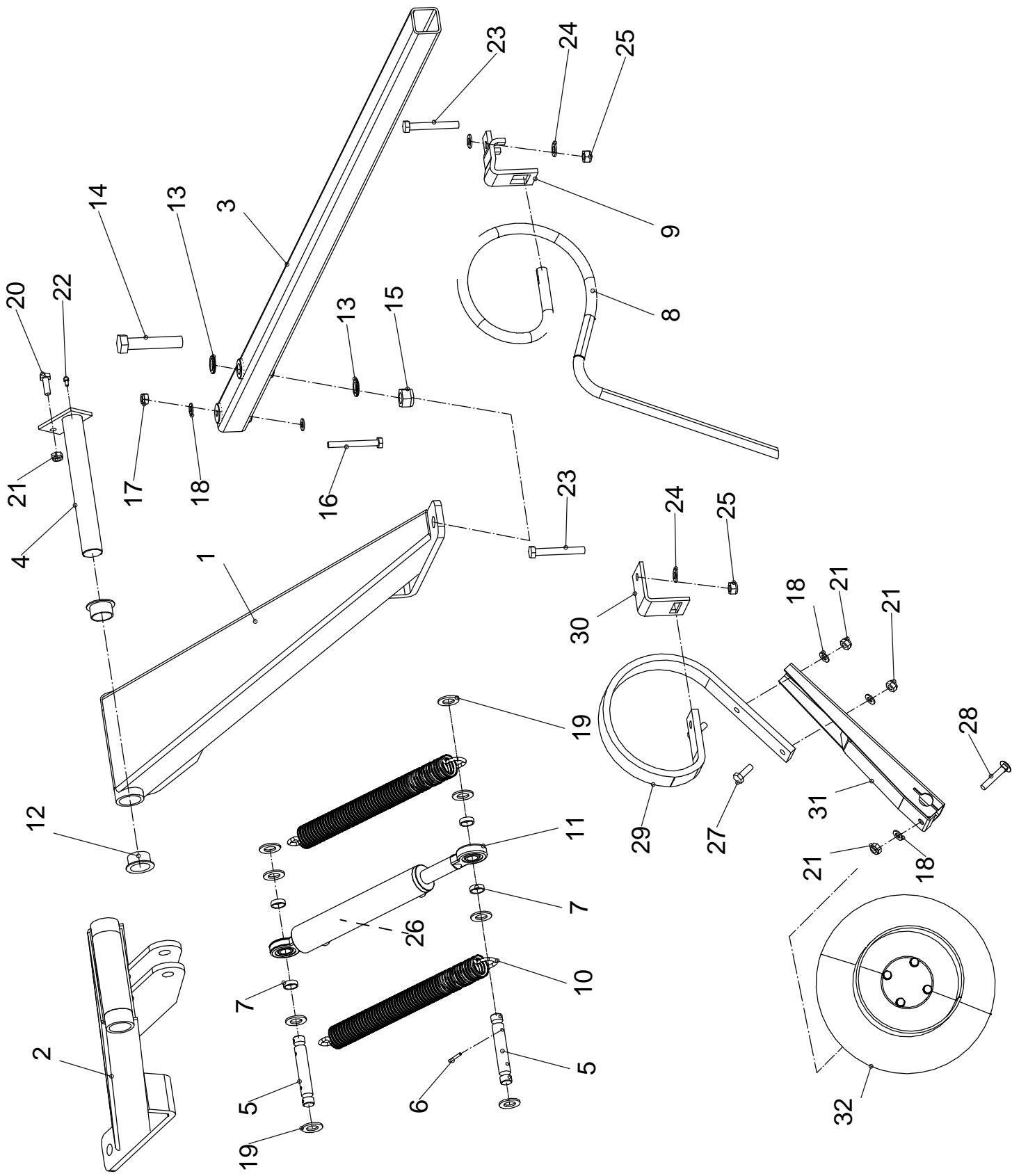
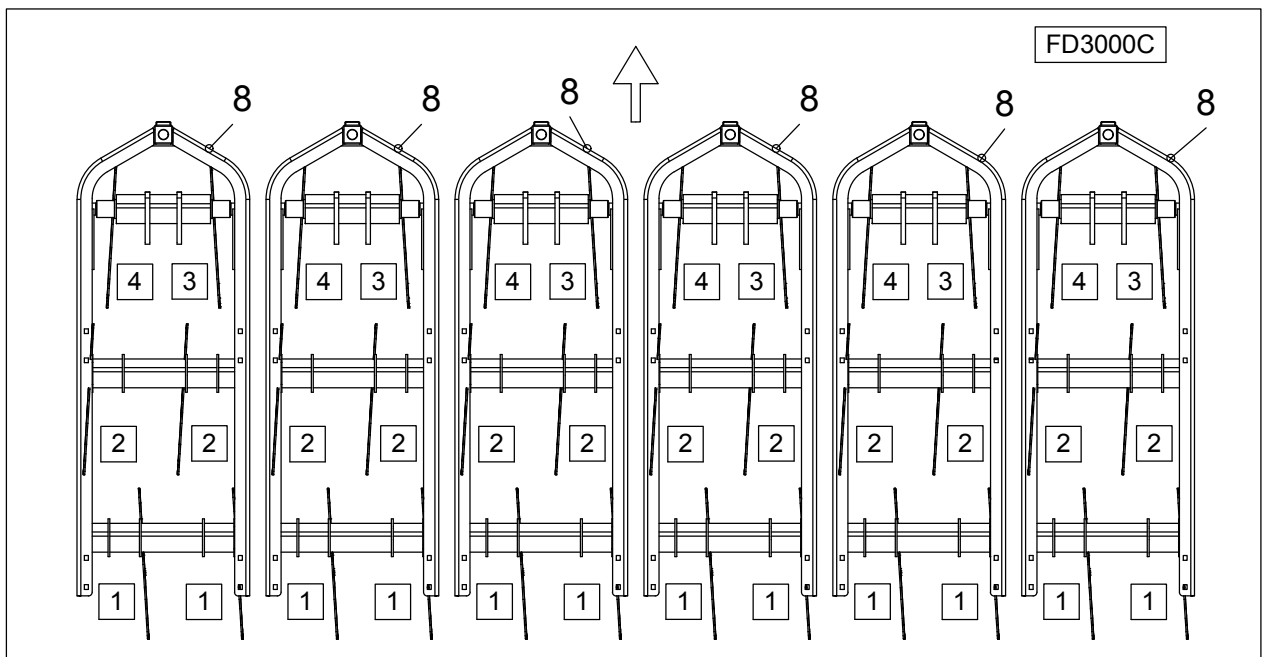
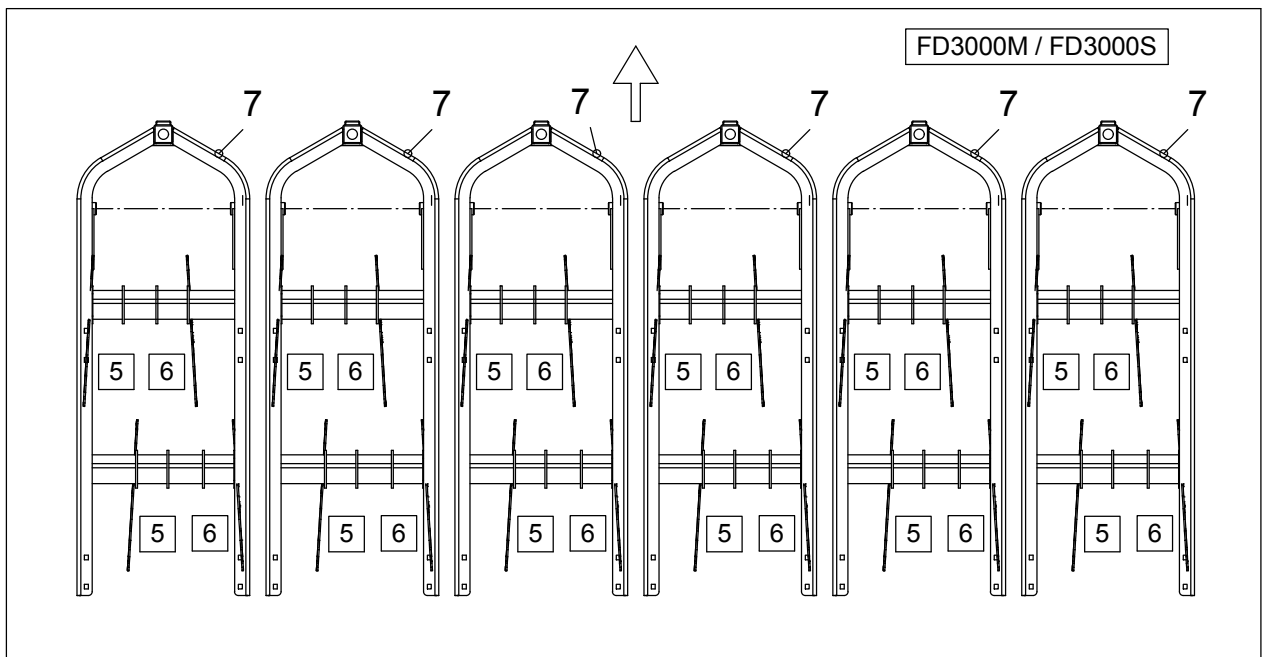
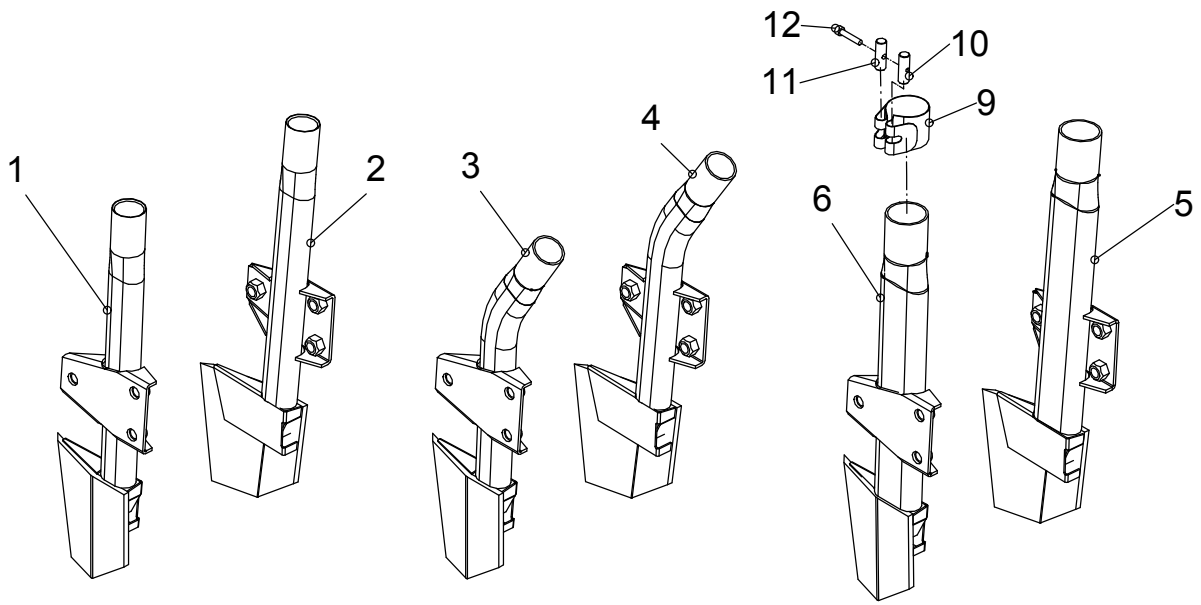


Fig.	Part no.	Pieces		Pieces		Pieces		Notes
		3000C	4000C	3000M	4000M	3000S	4000S	
1	500 237 513	1	1	1	1	1	1	right
2	500 237 510	1	1	1	1	1	1	left
3	500 237 519	2		2		2		
3	500 237 512		2		2		2	
4	500 237 511	2	2	2	2	2	2	
5	500 237 515	4	4	4	4	4	4	
6		16	16	16	16	16	16	Cotter pin 4*32
7	500 031 891	8	8	8	8	8	8	
8	101 000 831	2	2	2	2	2	2	
9	500 037 510	2	2	2	2	2	2	
10	500 041 336	4	4	4	4	4	4	6*40*400
11	503 370 890	2	2	2	2	2	2	
12	500 068 131	4	4	4	4	4	4	
13	500 237 518	4	4	4	4	4	4	Nord lock NL20
14		2	2	2	2	2	2	M20*100 hex head
15		2	2	2	2	2	2	M20 lock nut
16		2	2	2	2	2	2	M10*90 hex head
17		2	2	2	2	2	2	M10 lock nut
18		4	4	4	4	4	4	M10 washer
19		16	16	16	16	16	16	20.5*35*2 washer
20		2	2	2	2	2	2	M10 hex head
21		2	2	2	2	2	2	M10 lock nut
22		2	2	2	2	2	2	M6 lubrication nipple
23		2	2	2	2	2	2	M12*90 hex head
24		4	4	4	4	4	4	M12 washer
25		2	2	2	2	2	2	M12 lock nut
26	5K3 370 890	2	2	2	2	2	2	Sealing kit
27		4	4	4	4	4	4	M10*30 hex head
28		2	2	2	2	2	2	M10*60 DIN603 lock screw
29	500 063 637	2	2	2	2	2	2	
30	500 037 981	2	2	2	2	2	2	
31	500 037 980	2	2	2	2	2	2	
32	41652575200	2	2	2	2	2	2	



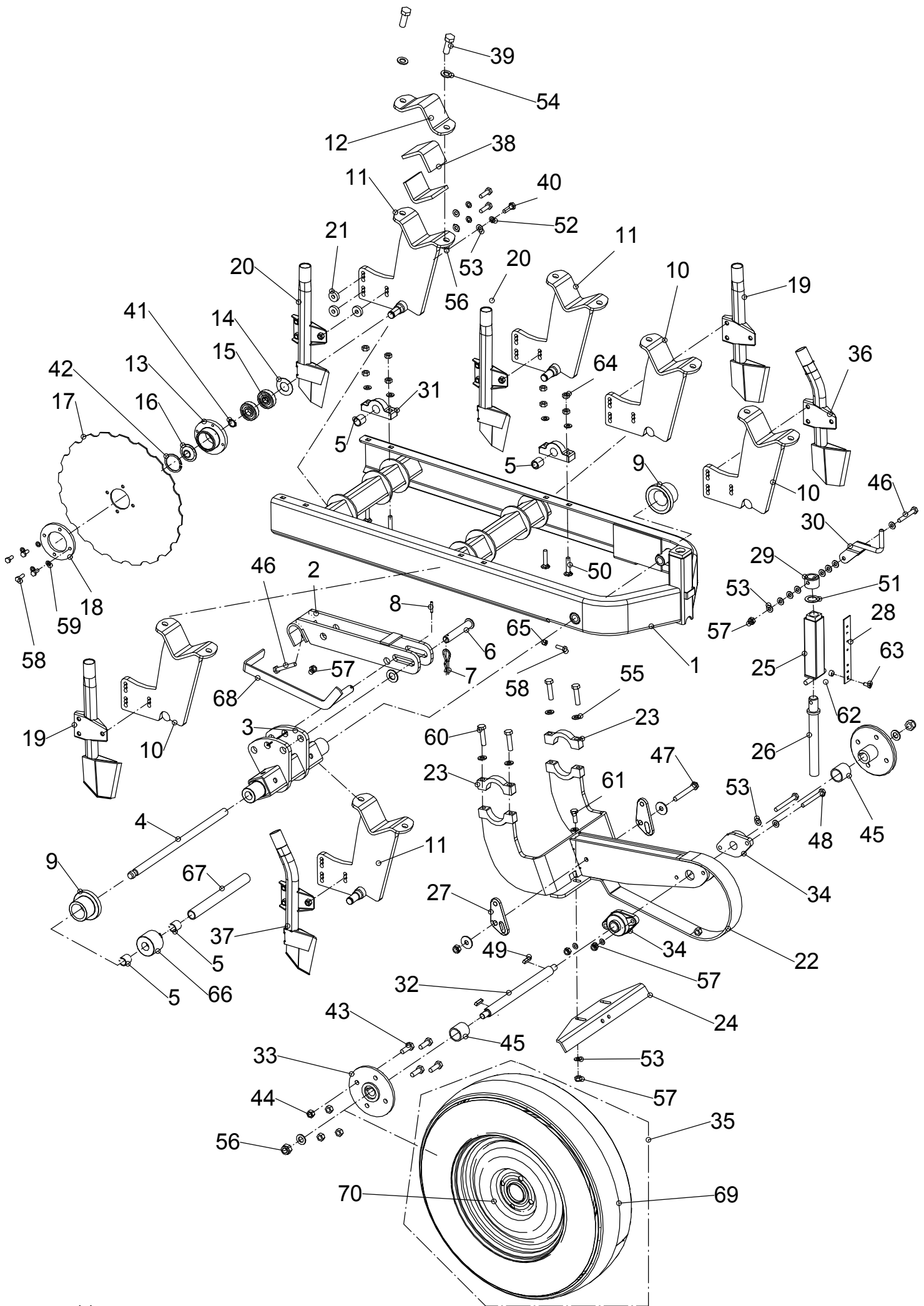
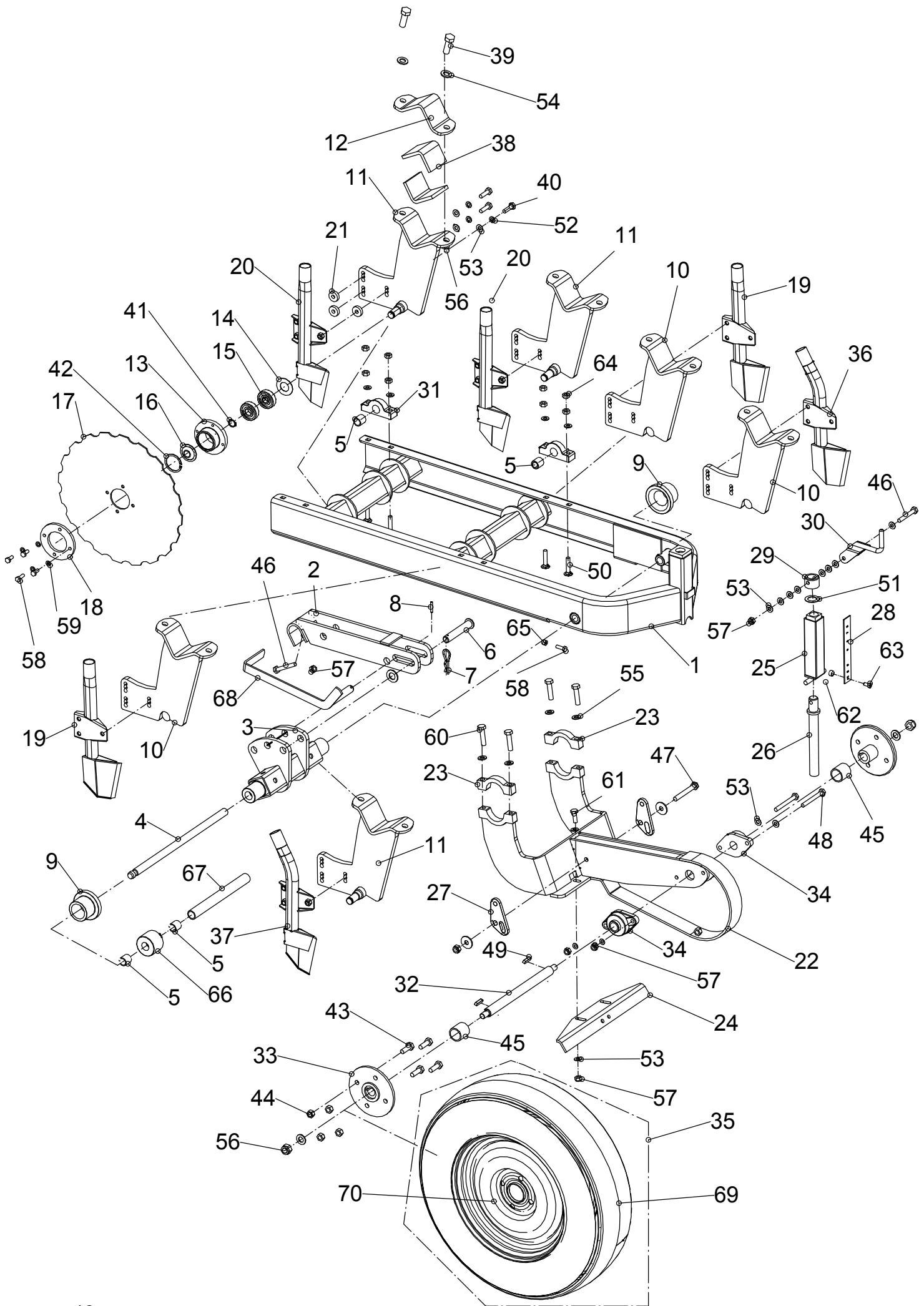


Fig.	Part no.	Pieces		Pieces		Pieces		Notes
		3000C	4000C	3000M	4000M	3000S	4000S	
1	500 237 441	1	1					
1	500 237 440			1	1	1	1	
2	500 237 410	1	1					
3	500 237 411	1	1					
4	500 037 458	1	1	1	1	1	1	
5	500 021 168	6	6	8	8	8	8	
6	500 040 936	1	1					
7		1	1					Pin D4 DIN11024
8		1	1					Cotter pin 4*32
9	500 237 412	2	2					
10	500 237 413	3	3	2	2	2	2	Left
11	500 237 414	3	3	2	2	2	2	Right
12	5237 413 W02	6	6	4	4	4	4	
13	500 038 407	6	6	4	4	4	4	
14	500 052 624	6	6	4	4	4	4	
15	500 038 410	12	12	8	8	8	8	6304-2RS
16	500 056 627	6	6	4	4	4	4	
17	500 037 170	6	6	4	4	4	4	D400
18	500 038 408	6	6	4	4	4	4	
19	500 237 475	3	3	2	2	2	2	Left
20	500 237 476	3	3	2	2	2	2	Right
21	500 237 420	18	18	12	12	12	12	
22	500 237 442	1	1	1	1	1	1	
23	500 237 457	2	2	2	2	2	2	
24	500 037 428	1	1	1	1	1	1	
25	500 037 446	1	1	1	1	1	1	
26	500 031 936	1	1	1	1	1	1	
27	500 037 455	2	2	2	2	2	2	
28	500 042 176	1	1	1	1	1	1	
29	500 037 401	1	1	1	1	1	1	
30	500 037 499	1	1	1	1	1	1	
31	500 037 451	4	4	4	4	4	4	
32	500 037 454	1	1	1	1	1	1	
33	500 037 427	2	2	2	2	2	2	
34	500 037 726	2	2	2	2	2	2	FYTB25TF
35	500 370 429	2	2	2	2	2	2	175/70 R14 rim+tyre
36	500 237 492	1	1					Left
37	500 237 493	1	1					Right
38	500 237 491	12	12	8	8	8	8	
39		12	12	8	8	8	8	M16*45 hex head
40		18	18	12	12	12	12	M10*40 hex head
41		6	6	4	4	4	4	A20*1.75
42		6	6	4	4	4	4	J52*2
43		8	8	8	8	8	8	screw 12*1.5*35 DIN961 10.9
44		8	8	8	8	8	8	nut 12*1.5 AV17 DIN74381A
45	500 237 418	2	2	2	2	2	2	
46		2	2	1	1	1	1	M10*70 hex head
47		1	1	1	1	1	1	M12*90
48		2	2	2	2	2	2	M10*90
49		2	2	2	2	2	2	8*7*32 key
50		8	8	8	8	8	8	M10*50 8.8 DIN603 lock screw
51	500 058 526	1	1	1	1	1	1	washer D25.5/40*1.5
52		18	18	12	12	12	12	M10 spring washer
53		30	30	24	24	24	24	M10 washer
54		12	12	8	8	8	8	M16 washer
55		4	4	4	4	4	4	M12 spring washer
56		14	14	10	10	10	10	M16 lock nut
57		6	6	6	6	6	6	M10 lock nut
58		25	25	17	17	17	17	M8*30 hex head
59		24	24	16	16	16	16	M8 spring washer



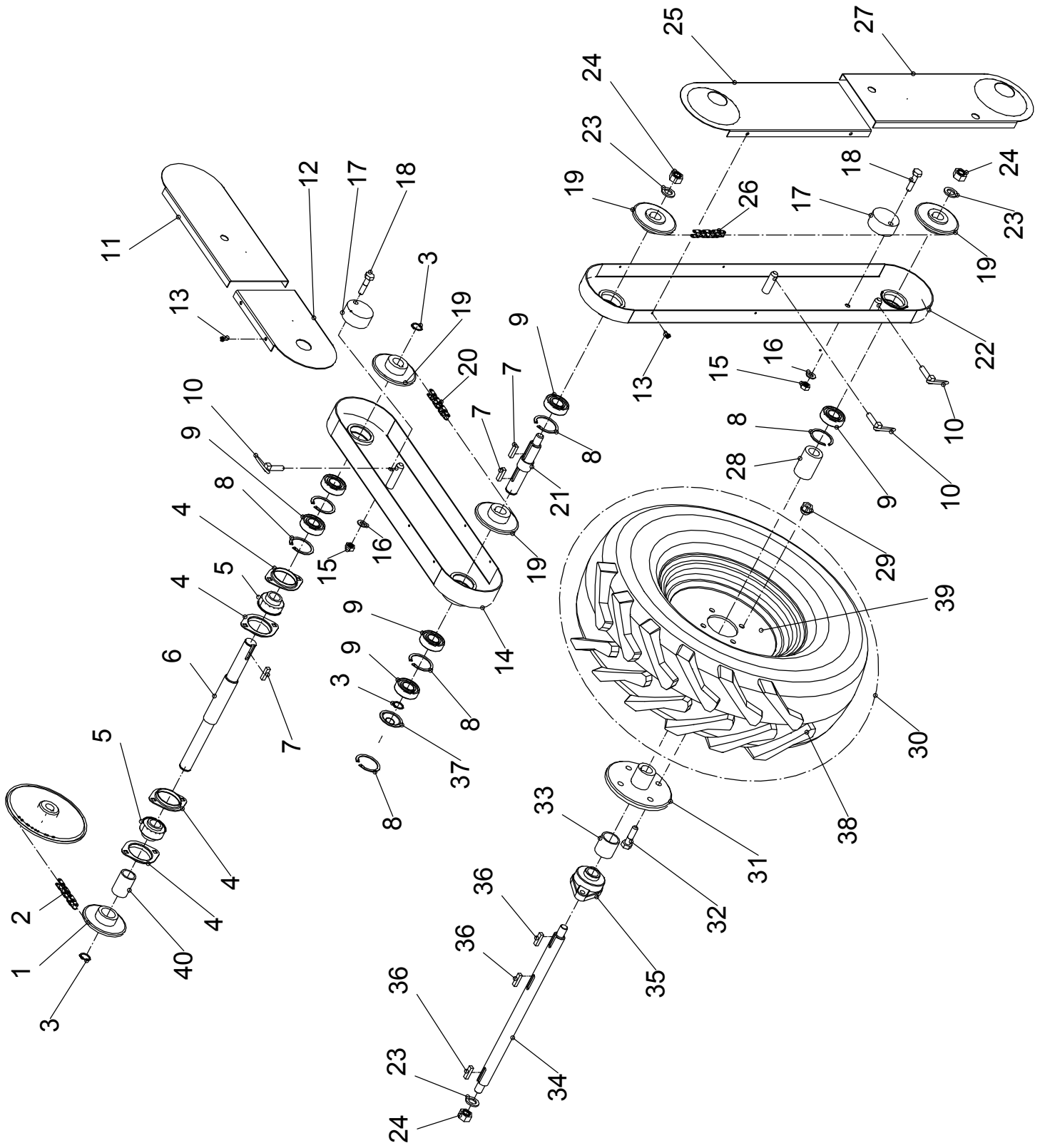


Fig.	Part no.	Pieces		Pieces		Pieces		Notes
		3000C	4000C	3000M	4000M	3000S	4000S	
1	502 370 626	1	1	1	1	1	1	Z=19
2		1	1	1	1	1	1	5/8" - 87L
3		3	3	3	3	3	3	A25*1.2
4	500 059 377	4	4	4	4	4	4	
5	500 090 720	2	2	2	2	2	2	
6	500 137 239	1	1	1	1	1	1	
7		3	3	3	3	3	3	8*7-26 key
8		6	6	6	6	6	6	J52*2
9	500 055 175	6	6	6	6	6	6	6205-2RS
10		3	3	3	3	3	3	linch pin D8
11	500 037 257	1	1	1	1	1	1	
12	500 037 286	1	1	1	1	1	1	
13		8	8	8	8	8	8	screw 5.5*13 DIN7981
14	500 037 254	1	1	1	1	1	1	
15		2	2	2	2	2	2	M10 lock nut
16		2	2	2	2	2	2	M10 washer
17	500 031 261	2	2	2	2	2	2	
18		2	2	2	2	2	2	M10*45 hex head
19	500 042 928	4	4	4	4	4	4	Z=19
20		1	1	1	1	1	1	5/8" - 80L
21	500 037 255	1	1	1	1	1	1	
22	500 037 253	1	1	1	1	1	1	
23		3	3	3	3	3	3	M16 washer
24		3	3	3	3	3	3	M16 lock nut
25	500 037 256	1	1	1	1	1	1	
26		1	1	1	1	1	1	5/8" - 114L
27	500 037 285	1	1	1	1	1	1	
28	500 042 930	1	1	1	1	1	1	
29		8	8	8	8	8	8	12*1.5 AV17
30	501 630 198	2	2	2	2	2	2	Rim+ tyre, tractor pattern
31	500 042 982	2	2	2	2	2	2	
32	500 042 623	8	8	8	8	8	8	12*1.5*35 DIN961 10.9
33	500 237 418	2	2	2	2	2	2	
34	500 037 466	1	1	1	1	1	1	
35	500 037 726	2	2	2	2	2	2	FYTB25TF
36		3	3	3	3	3	3	8*7*32 key
37	500 056 627	1	1	1	1	1	1	
38	500 055 803	2	2	2	2	2	2	7.00-12 tyre
39	500 163 198	2	2	2	2	2	2	4.25-12 rim
40	500 035 545	1	1	1	1	1	1	

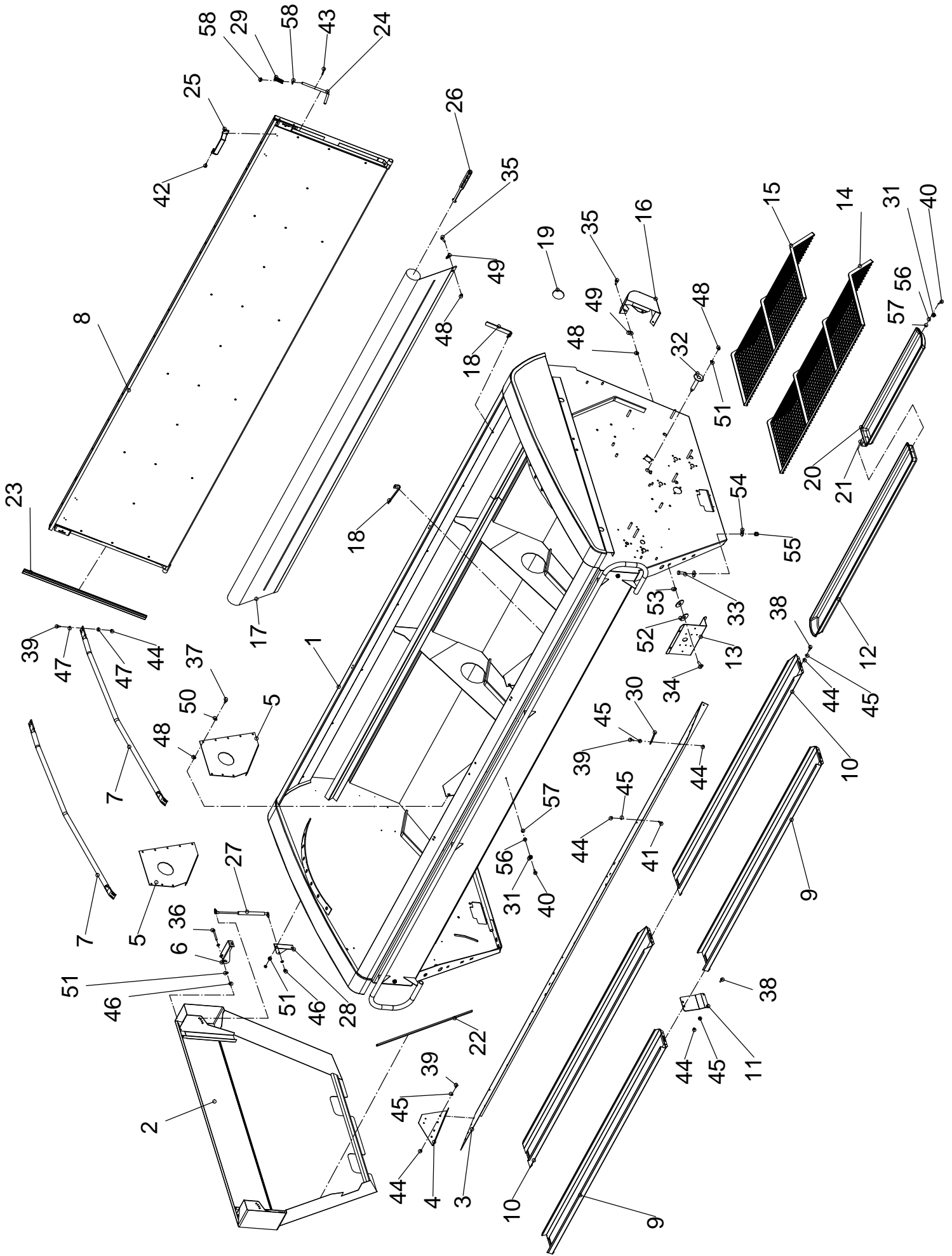


Fig.	Part no.	Pieces		Pieces		Pieces		Notes
		3000C	4000C	3000M	4000M	3000S	4000S	
1	500 237 297	1						
1	500 237 299		1					
1	500 237 294			1				
1	500 237 295				1			
1	500 237 296					1		
1	500 237 298						1	
2	500 237 609	2	2	2	2	2	2	
3	500 237 250	1		1		1		
3	500 237 244		1		1		1	
4	500 237 232	2	2	2	2	2	2	
5	500 237 231	1	2	1	2	1	2	
6	500 237 610	4	4	4	4	4	4	
7	500 237 249	1	2	1	2	1	2	
7	500 237 248	1	2	1	2	1	2	With extra hopper
8	500 237 604	1		1				
8	500 237 605		1		1			
9	500 237 644	2						upper
9	500 237 637		2					upper
10	500 237 643	2		2		2		lower
10	500 237 636		2		2		2	lower
11	500 237 638	1	1					
12	500 041 268		1		1		1	2m
12	500 137 236	1		1		1		1,7m
13	500 237 240	2	2	2	2	2	2	
14	500 137 618	4	4	4	4	2	2	
15	500 137 619		2		2		1	
16	500 137 238	1	1	1	1	1	1	
17	500 137 600	1		1		1		
17	500 137 606		1		1		1	
18	500 237 632	8	10	8	10	4	4	
19	500 041 244	2	2	2	2	2	2	
20	500 041 267	1		1		1		0,9m
20	500 137 236		1		1		1	1,7m
21	500 041 416	1	1	1	1	1	1	
22	500 008 430	1	1	1	1	1	1	2,6m
23	500 237 666	2	2	2	2			P-0322
24	500 041 279	2	2	2	2			
25	500 013 239	2	2	2	2			
26	500 037 591	3	3	3	3	3	3	
27	500 137 612	4	4	4	4	4	4	
28	500 237 611	4	4	4	4	4	4	
29	500 057 570	2	2	2	2	2	2	
30	500 137 603	4	6	4	6	4	6	
31	500 089 553	4	4	4	4	4	4	
32	500 037 272	2	2	2	2			
33		6	8	6	8	6	8	M12*40 hex head
34		4	4	4	4	4	4	M10*30 hex head
35		12	16	12	16	8	10	M8*25 hex head A4
36		4	4	4	4	4	4	M8*70 hex head
37		8	16	8	16	8	16	M8*16 hex head A4
38		7	7	7	7	7	7	M6*20 hex head A4
39		18	20	18	20	18	20	M6*16 hex head A4
40		4	4	4	4	4	4	M5*30 cross head
41		16	20	16	20	16	20	M6*12 hex head A4
42		8	8	8	8	8	8	4.8*25 DIN 7504P
43		2	2	2	2	2	2	pin 5*36
44		41	47	41	47	41	47	M6 nut A2
45		41	47	41	47	41	47	M6 washer A4
46		20	20	20	20	20	20	M8 lock nut
47		8	16	8	16	8	16	M6 washer DIN9021-A4
48		16	26	16	26	16	26	M8 nut A4

Fig.	Part no.	Pieces		Pieces		Pieces		Notes
		3000C	4000C	3000M	4000M	3000S	4000S	
49		8	10	8	10	8	10	M8 washer DIN9021-A4
50		8	16	8	16	8	16	M8 washer A4
51		28	28	28	28	28	28	M8 washer
52		8	8	8	8	8	8	17/35*5 washer
53		4	4	4	4	4	4	M10 lock nut
54		12	16	12	16	12	16	M12 washer DIN9021
55		6	8	6	8	6	8	M12 lock nut
56		4	4	4	4	4	4	M5 washer A4
57		4	4	4	4	4	4	M5 nut A4
58		4	4	4	4	4	4	M12 washer A4

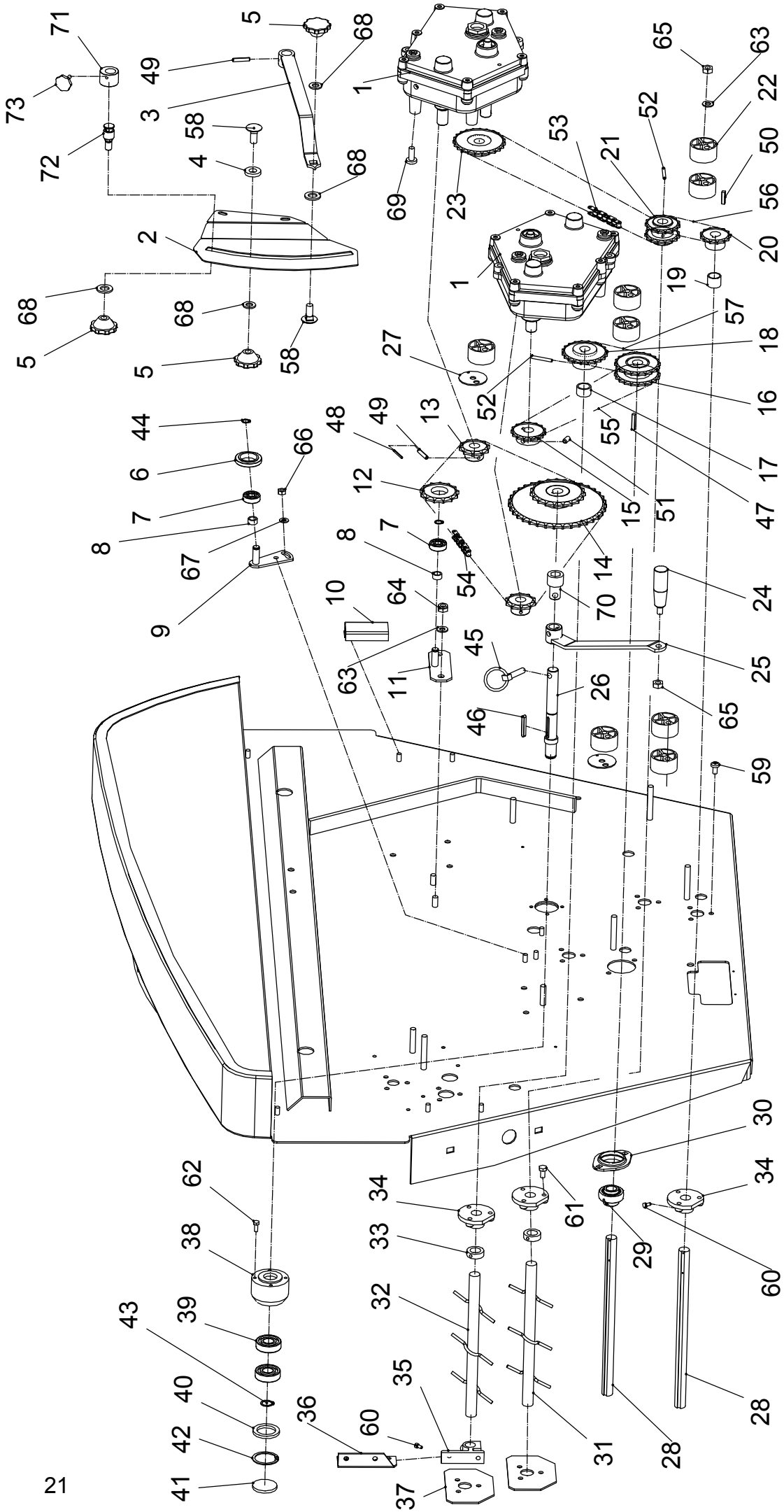
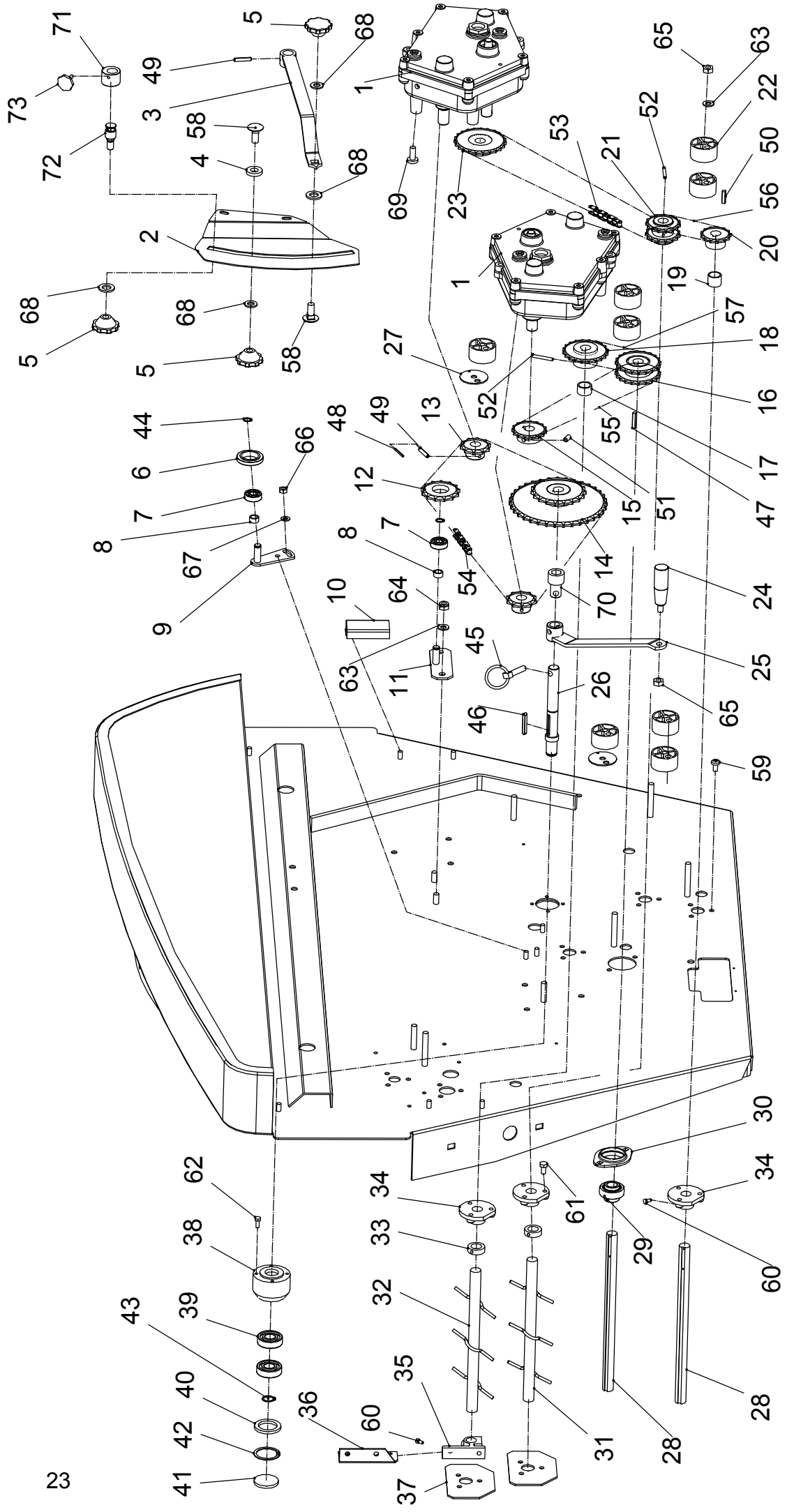
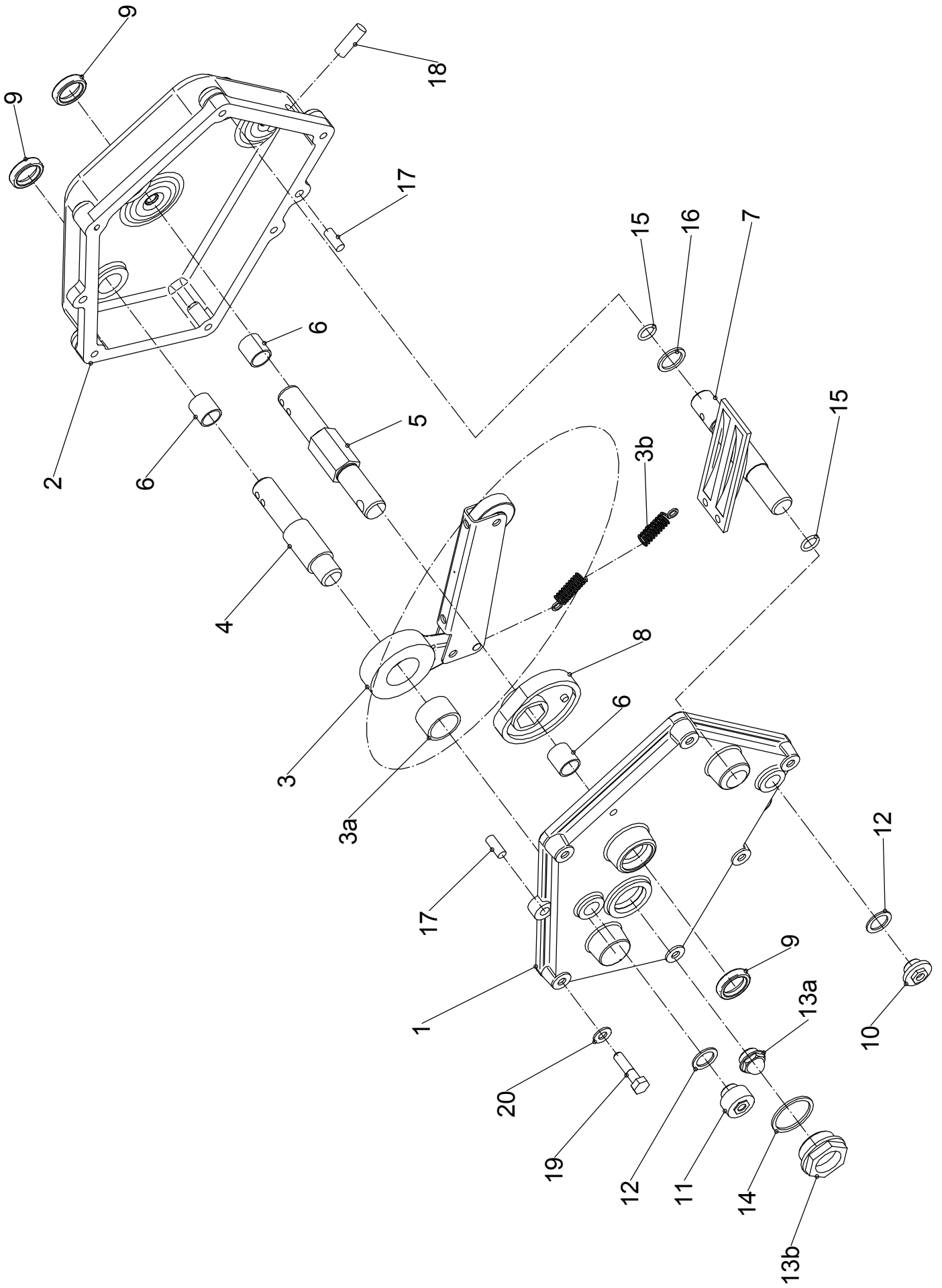


Fig.	Part no.	Pieces		Pieces		Pieces		Notes
		3000C	4000C	3000M	4000M	3000S	4000S	
1	500 370 750	2	2	2	2	1	1	
2	500 237 656	2	2	2	2	1	1	
3	500 041 261	2	2	2	2	1	1	
4	500 237 657	2	2	2	2	1	1	
5	500 031 745	4	4	4	4	2	2	
6	500 237 651	1	1	1	1	1	1	
7	500 031 729	2	2	2	2	1	1	
8	500 031 720	2	2	2	2	1	1	
9	500 237 652	1	1	1	1	1	1	
10	500 031 951	1	1	1	1	1	1	
11	500 237 662	1	1	1	1			
12	500 002 599	1	1	1	1			Z=13
13	500 237 627	2	2	2	2	1	1	Z=10
14	500 237 625	1	1	1	1	1	1	Z=19/35
15	500 037 650	1	1	1	1	1	1	Z=15
16	500 237 618	1	1	1	1	1	1	Z=20/20
17	500 037 155	1	1	1	1	1	1	
18	500 042 706	1	1	1	1	1	1	Z=20
19	500 032 262	1	1	1	1	1	1	
20	500 037 490	1	1	1	1			Z=13
21	500 031 890	1	1	1	1			Z=15/15
22	500 031 261	8	8	8	8	5	5	
23	500 237 620	1	1	1	1			Z=23
24	500 031 959	1	1	1	1	1	1	
25	500 237 623	1	1	1	1	1	1	
26	500 237 617	1	1	1	1	1	1	
27	500 032 266	2	2	2	2	1	1	
28	500 137 308		2		2		1	
28	500 137 316	2		2		1		
29	500 056 459	1	1	1	1			
30	500 056 458	2	2	2	2			
31	500 237 268		1					
31	500 237 269	1						
32	500 237 266		1		2		1	
32	500 237 270	1		2		1		
33	500 042 867	3	3	3	3	2	2	
34	500 020 621	5	5	5	5	3	3	
35	500 031 882	4	4	4	4	2	2	
36	500 237 233	4	4	4	4	2	2	
37	500 237 234	2	2	2	2	1	1	
38	500 032 473	1	1	1	1	1	1	
39	500 063 223	2	2	2	2	2	2	
40	500 031 422	1	1	1	1	1	1	
41	500 032 474	1	1	1	1	1	1	
42		1	1	1	1	1	1	J47*1.75 DIN472
43		1	1	1	1	1	1	A20*1.2 DIN471
44		2	2	2	2	1	1	A12*1 DIN471
45		1	1	1	1	1	1	linch pin D8
46		1	1	1	1	1	1	key 6*6-45
47		1	1	1	1			key 6*6-32
48		2	2	2	2	1	1	spring pin D3.5*30
49		2	2	2	2	1	1	spring pin D6*30
50		1	1	1	1	1	1	key 6*6-25
51		1	1	1	1			M8*16 DIN915
52		1	1	1	1			spring pin D5*40
53		1	1	1	1			1/2" - 92 l
54		1	1	1	1			5/8" - 100 l
55		1	1	1	1			1/2" - 72 l
56		1	1	1	1			1/2" - 31 l
57		1	1	1	1			1/2" - 37 l
58		4	4	4	4	2	2	M12*30 lock screw





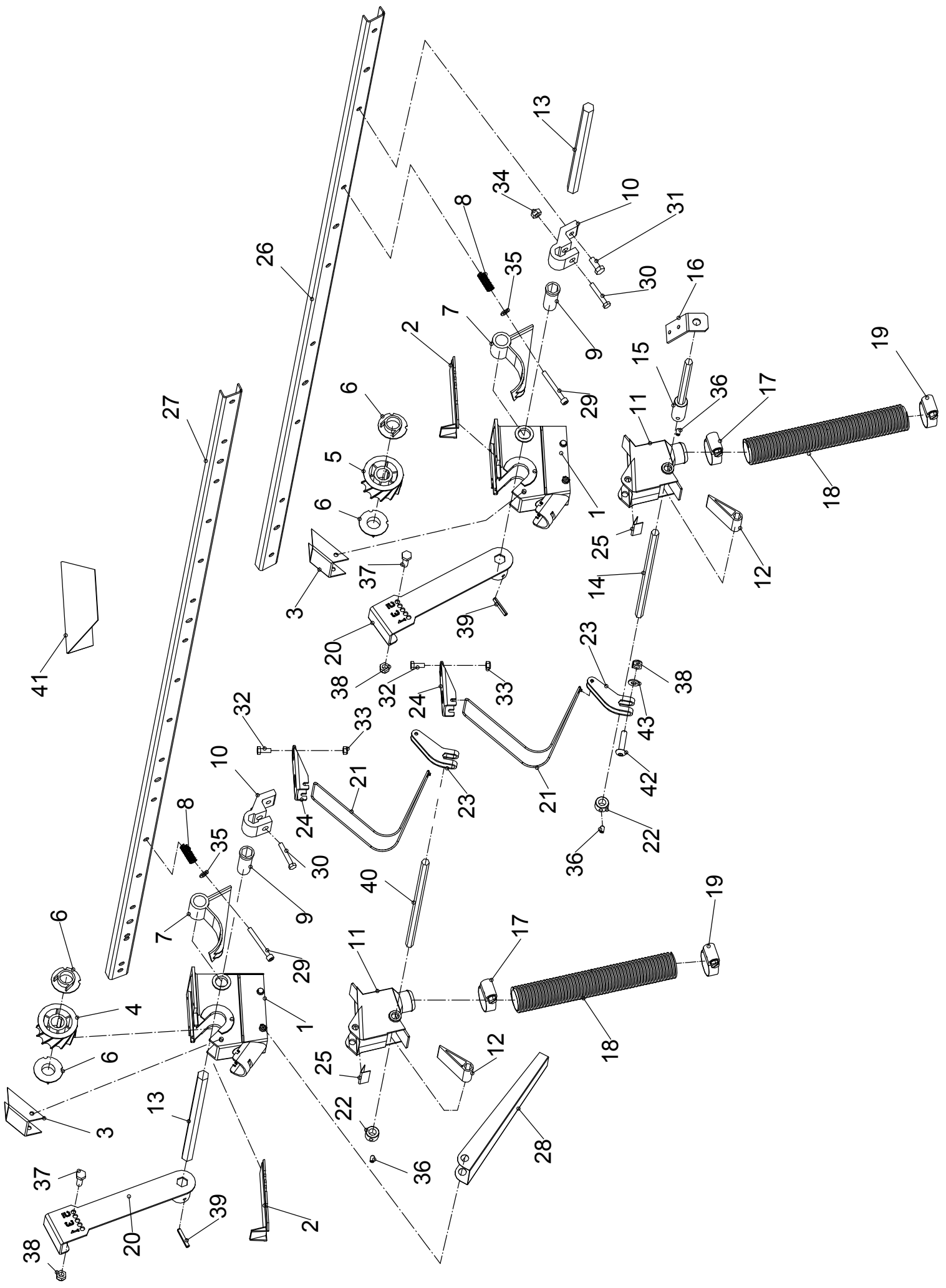
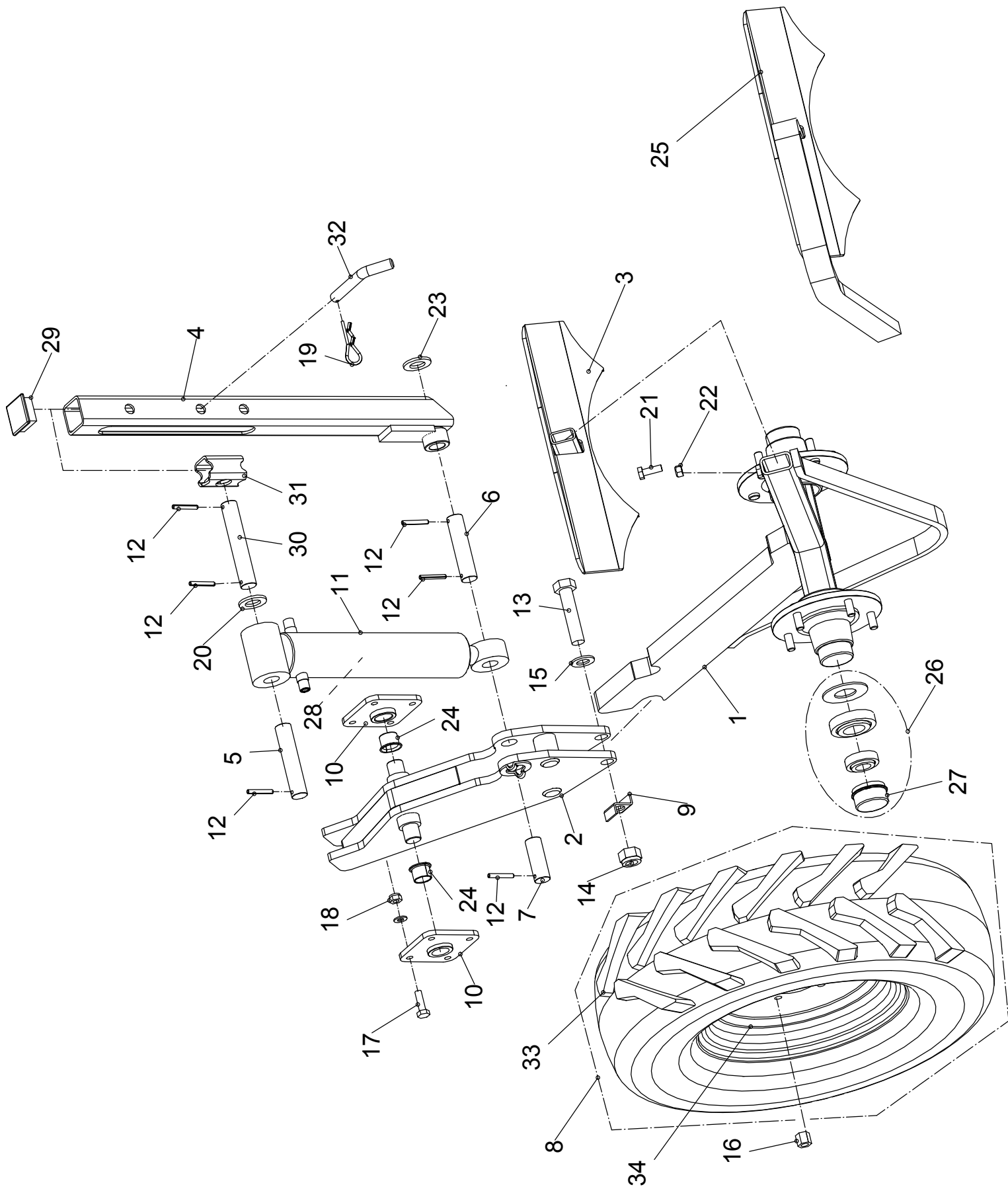


Fig.	Part no.	Pieces		Pieces		Pieces		Notes
		3000C	4000C	3000M	4000M	3000S	4000S	
1	500 031 282	36	48	48	64	24	32	
2	500 031 284	36	48	48	64	24	32	
3	500 031 285	36	48	48	64	24	32	
4	500 031 245	24	32	24	32	24	32	For seed
5	500 037 647	12	16	24	32			For fertilizer
6	500 031 286	72	96	96	128	48	64	
7	500 031 283	36	48	48	64	24	32	
8	500 031 616	36	48	48	64	24	32	
9	500 031 668	36	48	48	64	24	32	
10	500 031 248	13	16	13	16	7	8	
11	500 237 663	36	48	24	32	24	32	
12	500 237 642	38	50	25	33	25	33	
13	500 237 251		2		2		1	
13	500 237 252	2		2		1		
14	500 237 254	1		1		1		
14	500 237 253		1		1		1	
15	500 237 658	1	1	1	1	1	1	
16	500 237 645	1	1	1	1	1	1	
17	500 237 494	36	48	48	64	24	32	
18	500 237 489	36	48					
18	500 237 490			24	32	24	32	
19	500 237 488	36	48	24	32	24	32	
20	500 237 630	2	2	2	2	1	1	
21	500 237 673	4	4	2	2	2	2	
22	500 237 661	2	2	1	1	1	1	
23	500 237 671	4	4	2	2	2	2	
24	500 237 672	4	4	2	2	2	2	
25	500 237 257	36	48	24	32	24	32	
26	500 037 612		2					For fertilizer
26	500 037 245	1						For fertilizer
27	500 137 318	1		2		1		For seed
27	500 137 305		2		4		2	For seed
28	500 237 635			24	32			
29		36	48	48	64	24	32	M6*55 DIN912
30		13	16	13	16	7	8	M8*40 hex head
31		13	16	13	16	7	8	M8*20 hex head
32		8	8	4	4	4	4	M6*16 hex head A4
33		4	4	2	2	2	2	M6 lock nut A4
34		13	16	13	16	7	8	M8 nut
35		36	48	48	64	24	32	M6 washer
36		3	3	2	2	2	2	M6*10 DIN 913
37	500 237 631	2	2	2	2	1	1	
38		6	6	4	4	3	3	M8 lock nut A4
39		2	2	2	2	1	1	5*32 spring pin
40	500 237 255		1					
40	500 237 256	1						
41	500 031 287	14	21	28	42	14	21	
42		4	4	2	2	2	2	M8*40 socket button head A4
43		4	4	2	2	2	2	M8 washer A4



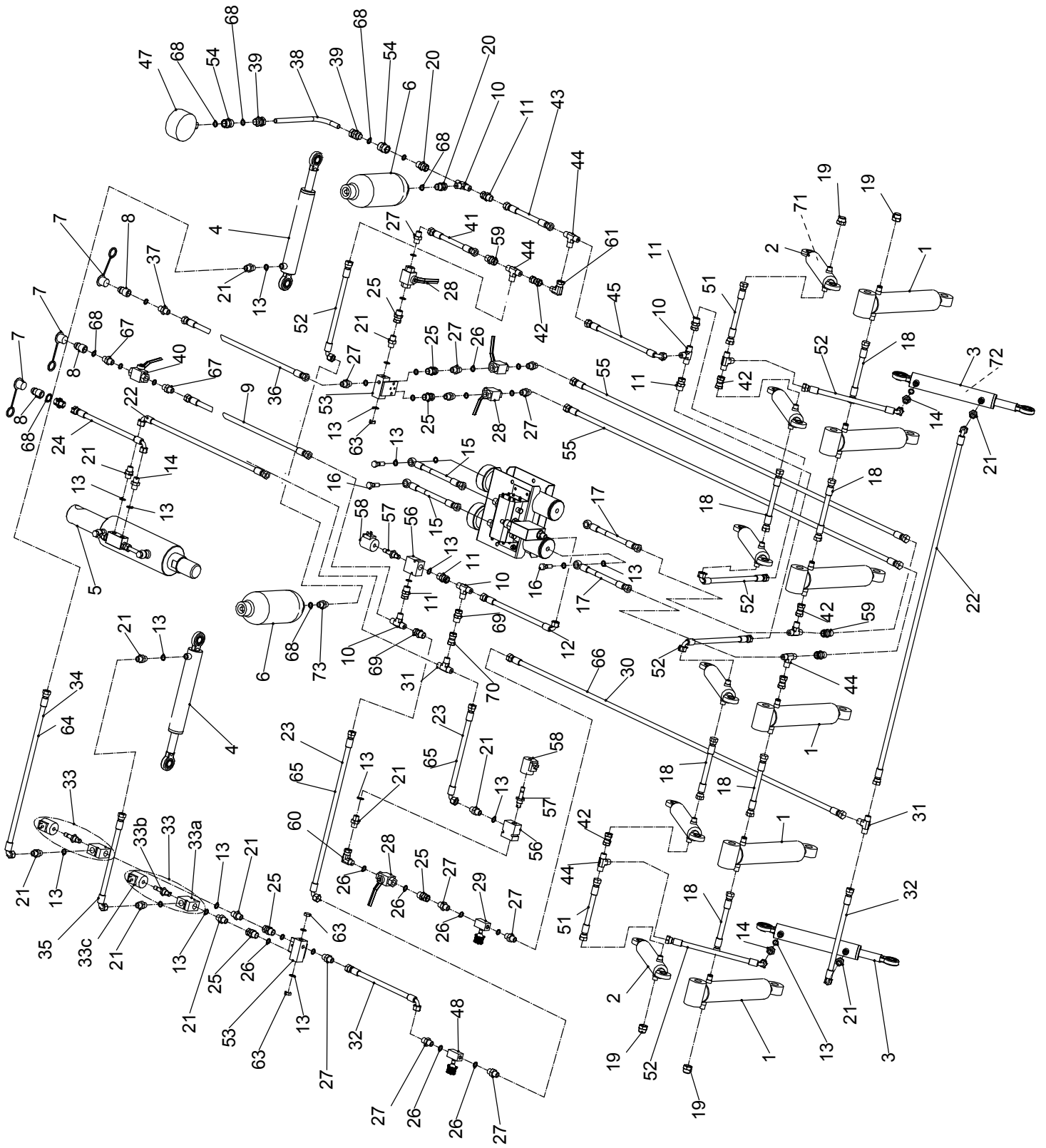
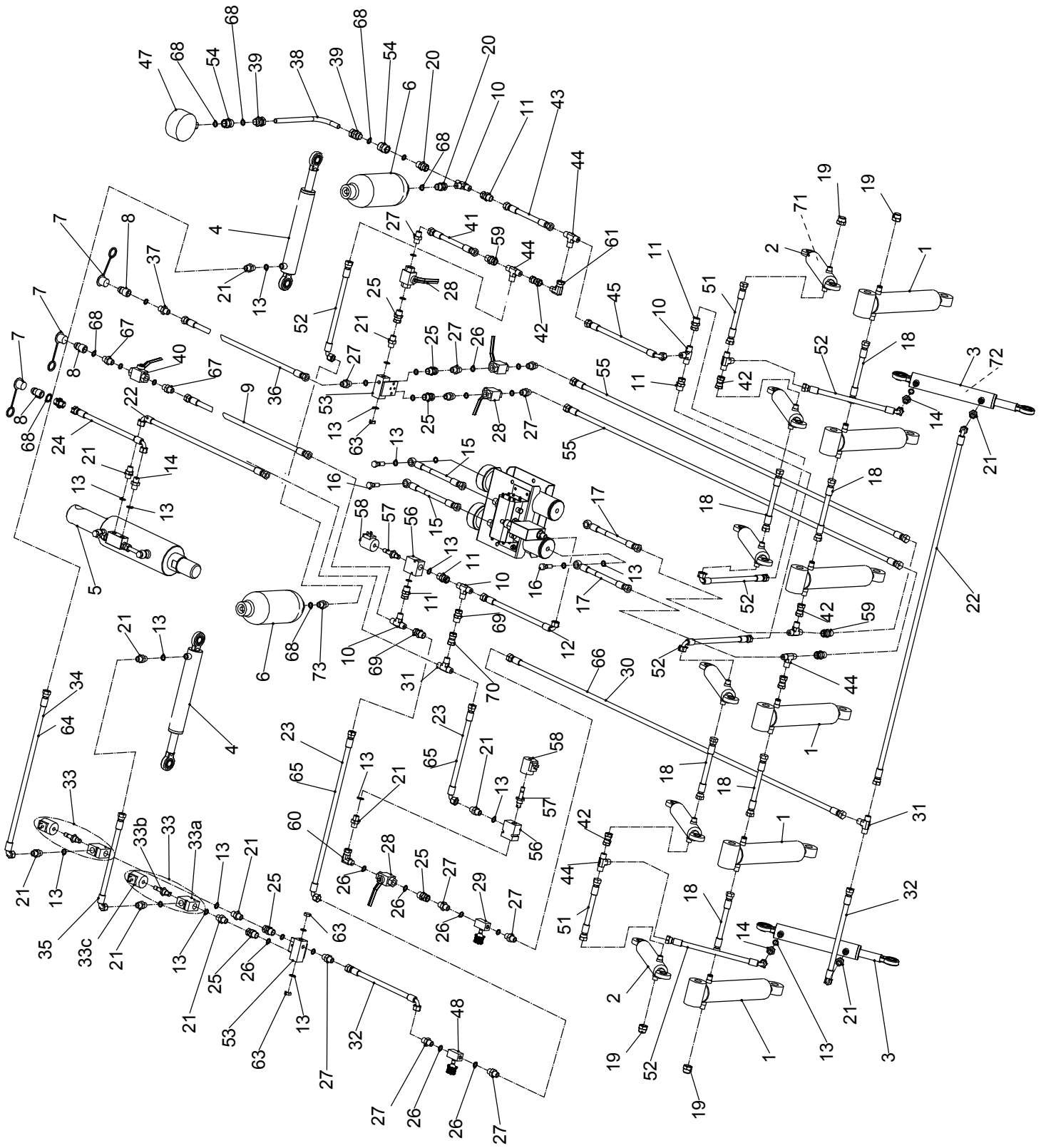
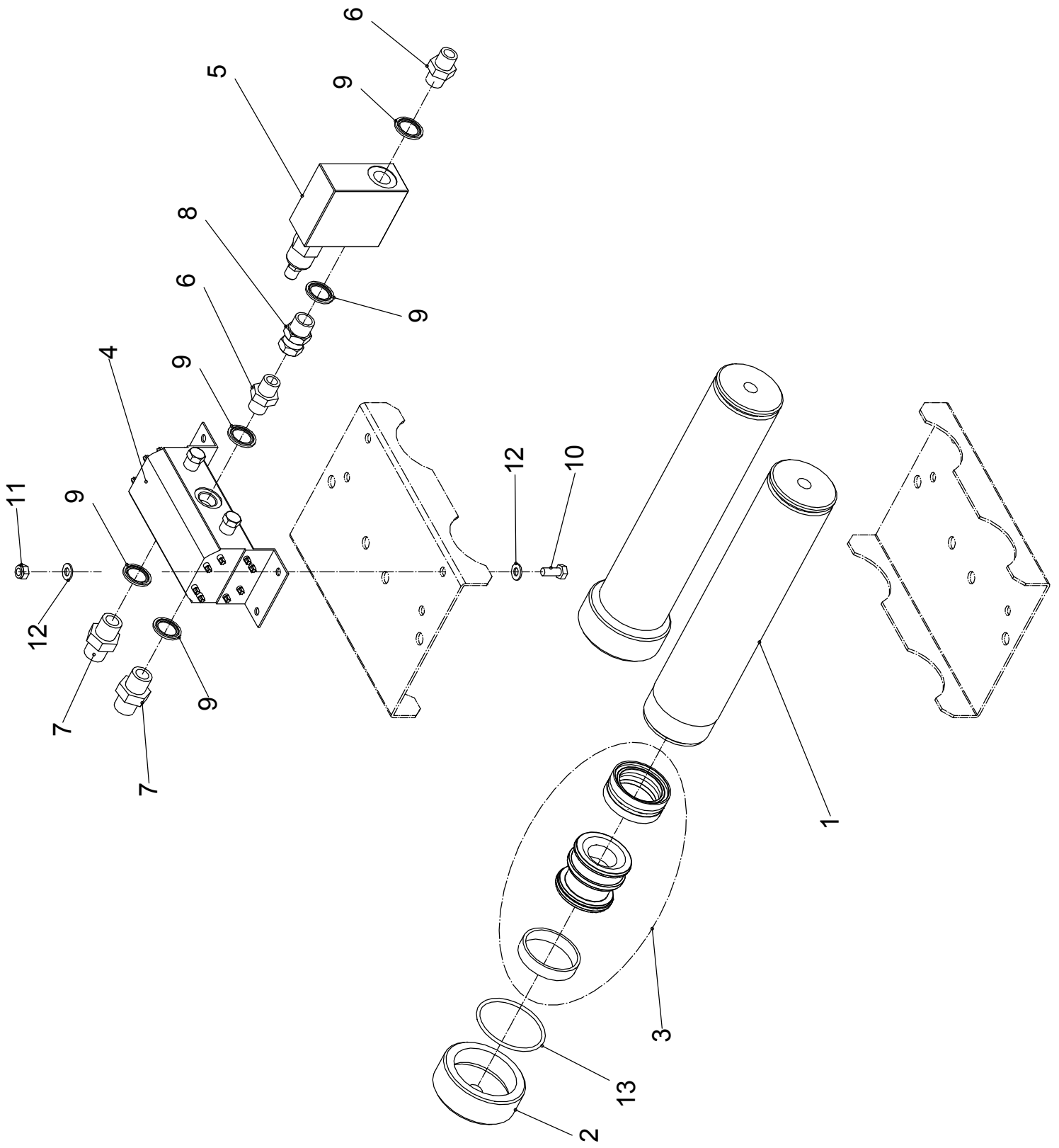
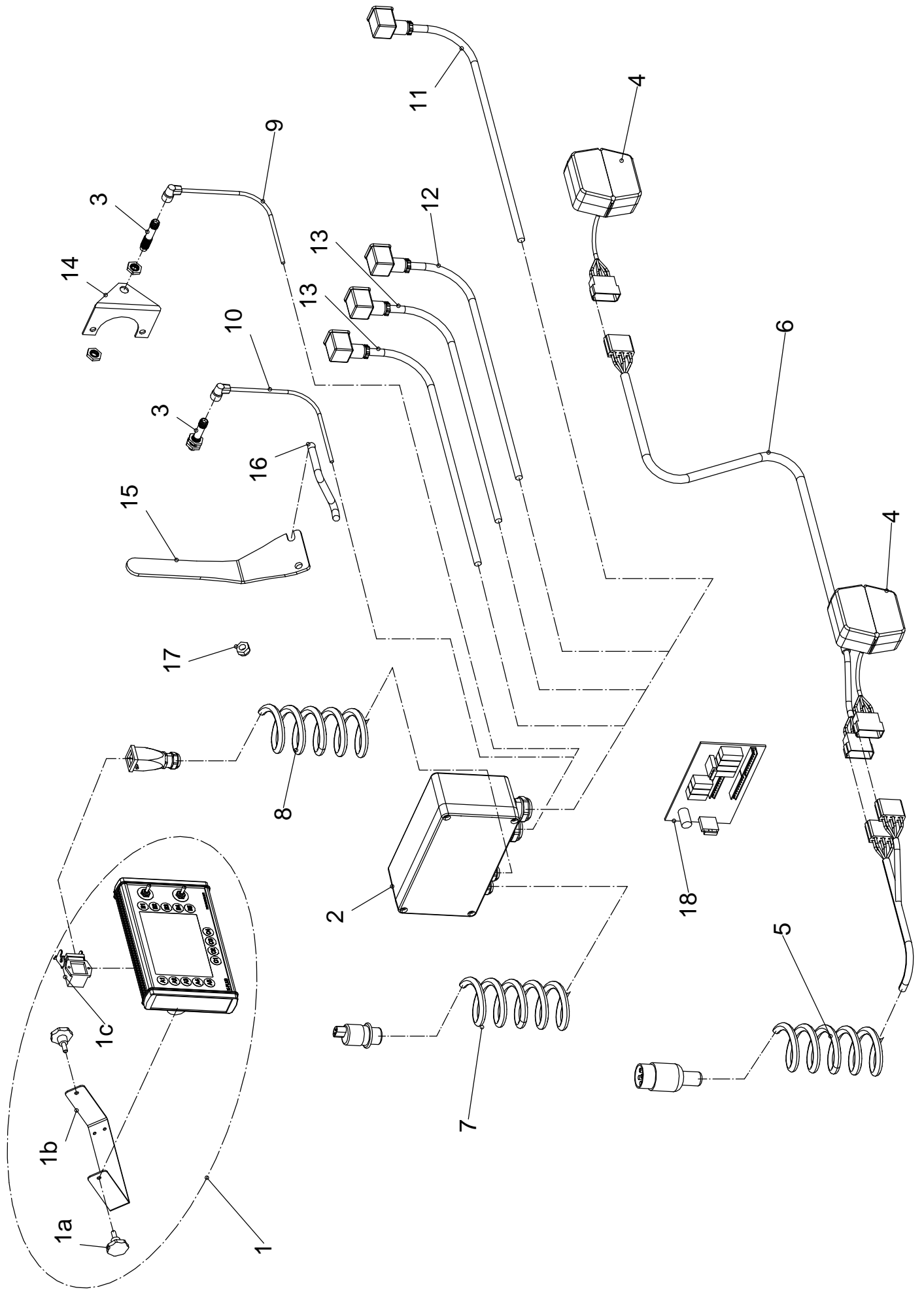
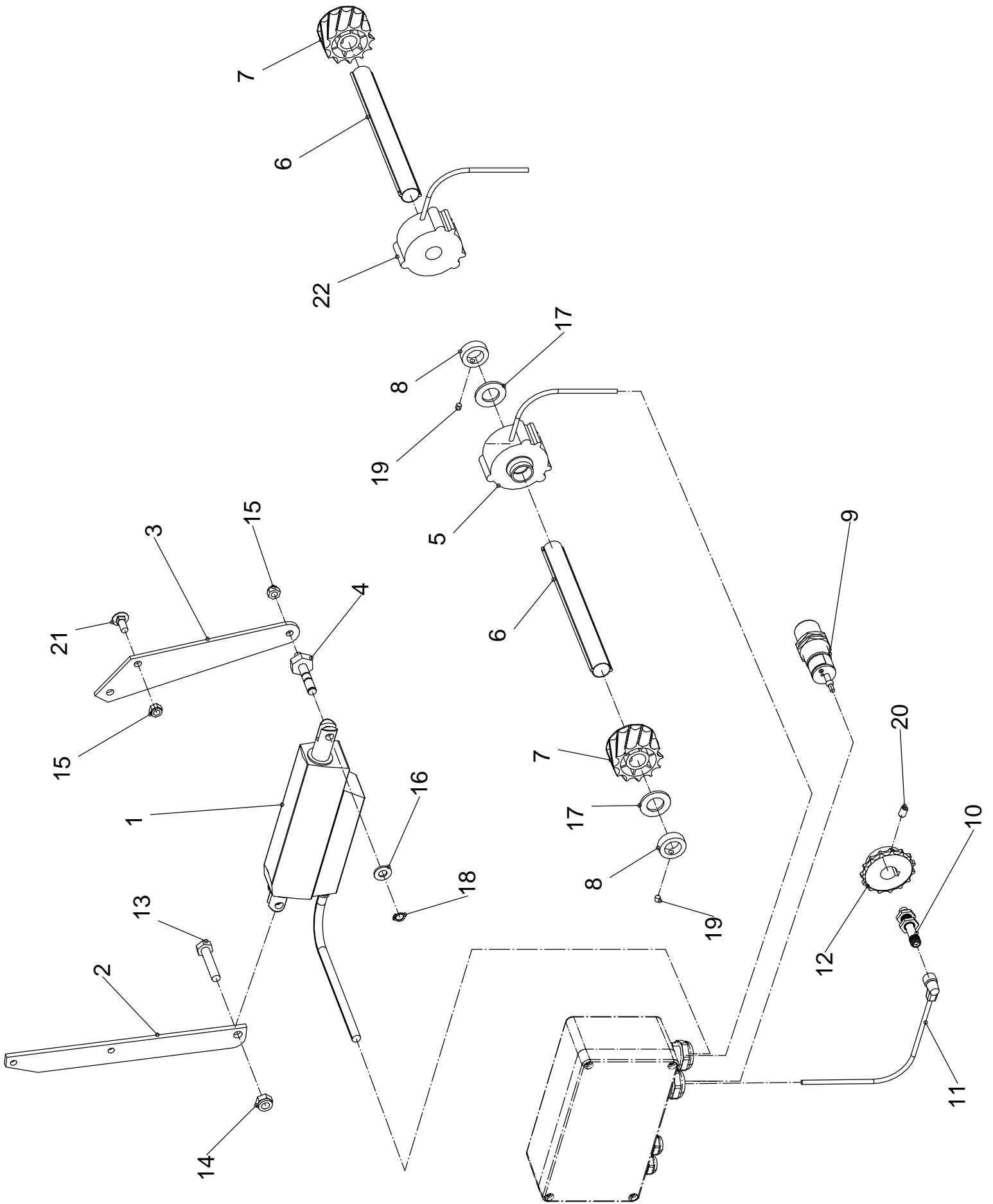


Fig.	Part no.	Pieces				Notes
		FD3000	FD4000			
1	503 370 866	6	8			
2	503 370 884	6	8			
3	503 370 867	2	2			
4	503 370 890	2	2			
5	5K3370840	1	1			
6	500 037 813	2	2			
7	500 058 656	3	3			
8	500 030 844	3	3			1/2" Rapid connector
9	500 037 746	1	1			1/2" - 6500
10	500 058 643	4	4			R1/2"
11	500 095 823	5	5			R3/8"-1/2"
12	500 095 849	1	1			1/2" - 1750
13	500 061 801	26	28			Usit 3/8"
14	500 095 832	3	3			R3/8"-3/8"
15	500 237 819	2	2			3/8" - 270
16	500 037 833	4	4			R3/8"
17	500 137 614	2	2			3/8" - 360
18	500 037 955	6	8			3/8" - 450
19	500 059 612	4	4			R3/8"
20	500 058 644	2	2			R1/2"-1/2"
21	500 037 807	12	12			R3/8"-1/4"
22	500 263 805	2	2			1/4" - 2200
23	500 037 734	2	x			1/4" - 1350 (FD3000)
24	500 059 618	1	1			3/8" - 4500
25	500 089 863	6	6			R1/4"-1/4"
26	500 087 830	15	15			Usit 1/4"
27	500 090 820	10	10			R1/4"-1/4"
28	500 087 819	4	4			R1/4" ball valve
29	500 037 859	1	1			R1/4"
30	500 237 810	1	x			1/4" - 1250 (FD3000)
31	500 058 665	2	2			R1/4"
32	500 038 830	2	2			1/4" - 325
33	500 037 816	2	2			2/2-3/8"
33a	500 037 961	2	2			
33b	500 037 962	2	2			
33c	500 037 963	2	2			
34	500 089 836	1	x			1/4" - 2400 (FD3000 row marker)
35	500 041 342	1	1			1/4" - 890
36	500 090 911	1	1			1/4" - 6500
37	500 090 812	2	2			R1/2"-1/4"
38	500 237 820	1	1			
39	500 057 612	2	2			BL-15
40	500 030 888	1	1			1/2" ball valve
41	500 237 809	1	1			1/4" - 600
42	500 061 808	5	5			3/8"
43	500 237 808	1	1			3/8" - 160
44	500 041 833	6	6			3/8"
45	500 137 802	1	1			1/2"-3/8" -1150
46						
47	500 037 874	1	1			
48	500 042 865	1	1			R1/4"
49						
50						
51	500 237 831	2	2			3/8" - 400
52	500 037 825	5	5			3/8" - 340
53	500 237 813	2	2			
54	500 057 664	2	2			R1/2"
55	500 031 826	2	2			1/4" - 2000
56	500 237 801	2	2			
57	500 237 802	2	2			
58	500 237 803	2	2			









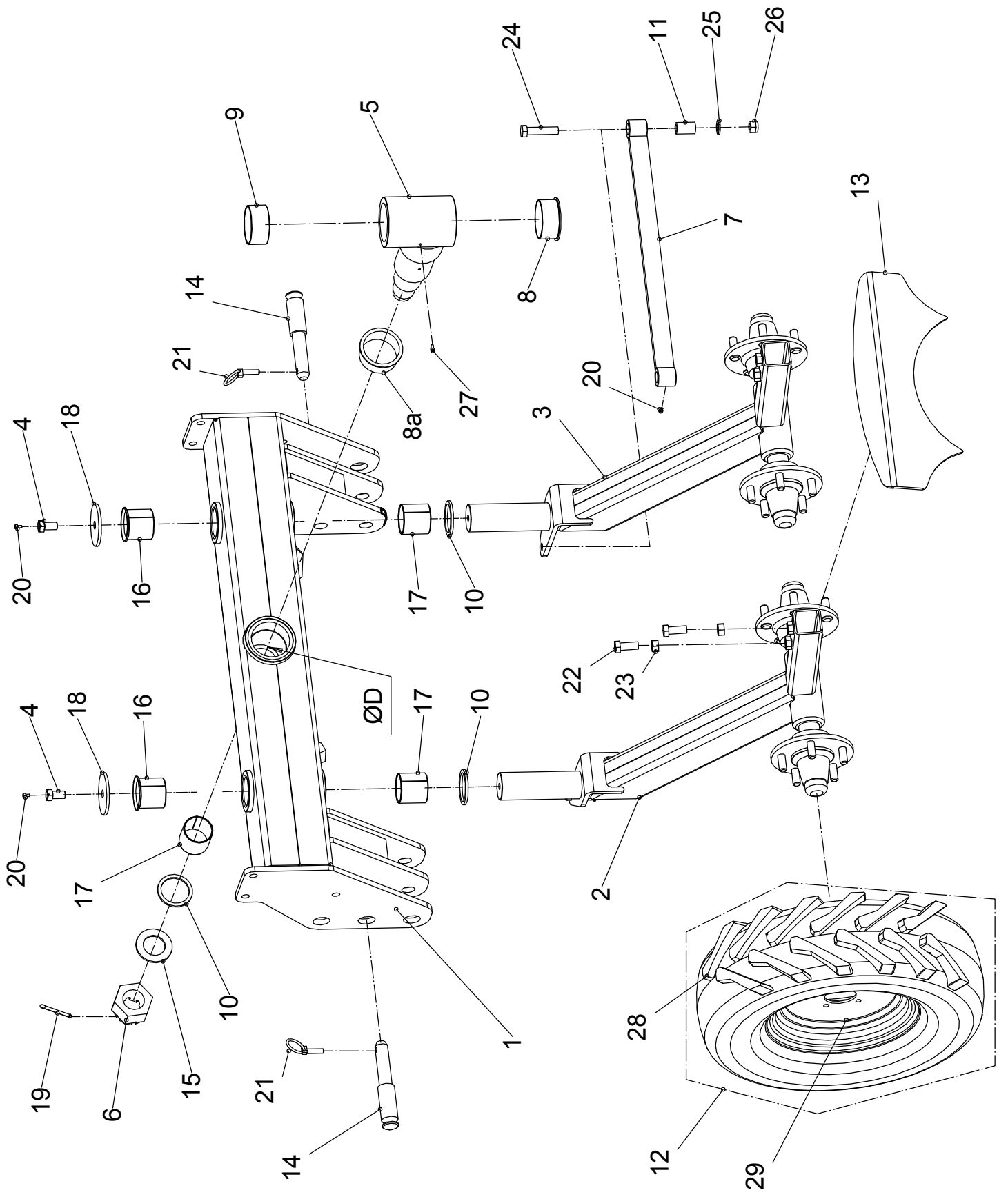


Fig.	Part no.	Pieces					Notes
1	500 137 530		1				D=80
1	500 137 513		1				D=60
2	500 137 514		1				Left
3	500 137 515		1				Right
4	500 137 522		2				
5	500 137 531		1				D=80
5	500 137 527		1				D=60
6	500 137 501		1				M48*3 DIN935-8ZN/C
7	500 137 516		1				
8	500 068 161		1				
8a	500 068 161		1				D=80
8a	500 137 523		1				D=60
9	500 137 528		1				
10	500 137 525		3				
11	500 137 526		2				
12	502 370 110		4				7.50-16 TR, rim + tyre
13	500 137 518		2				
14	500 137 519		2				
15	500 137 529		1				
16	500 137 523		2				
17	500 137 524		3				
18	500 037 526		2				
19			1				Cotter pin 6.3*63
20			4				M6 lubrication nipple
21			2				Linch pin D8
22			2				M16*40 hex head
23			2				M16 nut
24			2				M16*75 hex head
25			2				M16 washer
26			2				M16 lock nut
27			1				M8 lubrication nipple
28	500 237 108		4				Tyre
29	500 237 107		4				Rim

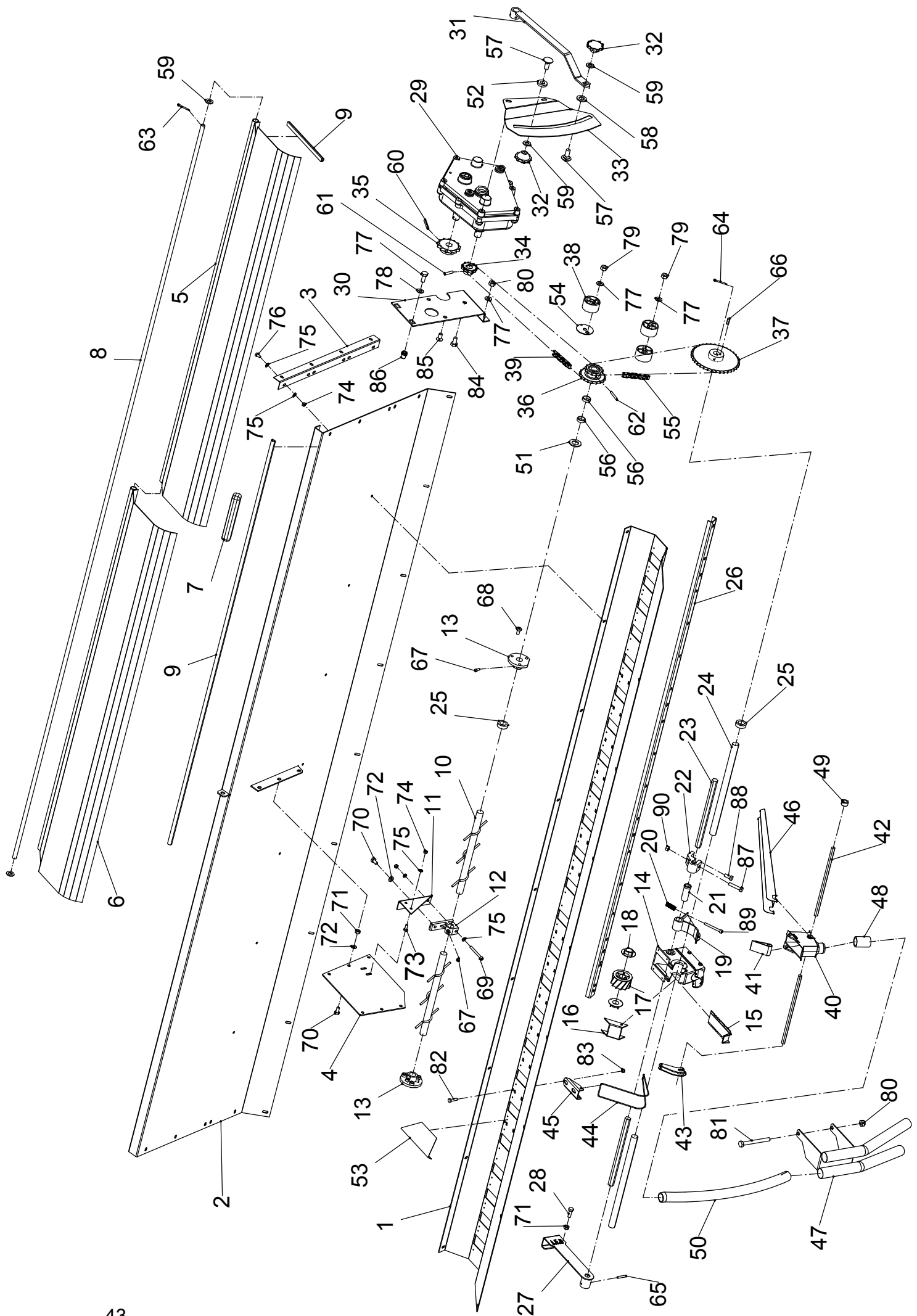


Fig.	Part no.	Pieces				Notes
		FD3000	FD4000			
1	500 237 246	1				
1	500 237 235		1			
2	500 237 242	1				
2	500 237 236		1			
3	500 237 237	2	2			
4	500 237 238	1	2			
5	500 237 243	1				Left
5	500 237 239		1			Left
6	500 237 245	1				Right
6	500 237 241		1			Right
7	500 237 641	1	1			
8	500 137 317	1				L=2725
8	500 137 304		1			L=3725
9	500 008 433	1				3,1m
9	500 008 433		1			4,1m
10	500 237 271	1				
10	500 237 267		1			
11	500 137 306	1	2			
12	500 031 882	1	2			
13	500 020 621	2	2			
14	500 031 282	24	32			
15	500 031 284	24	32			
16	500 031 285	24	32			
17	500 031 245	24	32			
18	500 031 286	48	64			
19	500 031 283	24	32			
20	500 031 616	24	32			
21	500 031 668	24	32			
22	500 031 248	7	8			
23	500 237 252	1				
23	500 237 251		1			
24	500 137 316	1				
24	500 137 308		1			
25	500 042 867	2	2			
26	500 137 318	1				
26	500 137 305		2			
27	500 237 630	1	1			
28	500 237 631	1	1			
29	500 370 752	1	1			
30	500 237 629	1	1			
31	500 041 261	1	1			
32	500 031 745	2	2			
33	500 237 656	1	1			
34	500 137 237	1	1			Z=11 , T=12,7
35	500 237 619	1	1			Z=13 , T=15,875
36	500 237 628	1	1			Z=13/19 , T=12,7
37	500 037 261	1	1			Z=36 , T=12,7
38	500 031 261	3	3			
39		1	1			1/2" - 111 L
40	500 237 663	24	32			
41	500 237 642	25	33			
42	500 237 256	1				
42	500 237 255		1			
43	500 237 671	2	2			
44	500 237 673	2	2			
45	500 237 672	2	2			
46	500 237 667	24	32			with grasseed hopper
46	500 237 633	24	32			with start-fertilizer hopper
47	500 137 507	12	16			
48	500 237 668	24	32			
49	500 237 661	1	1			

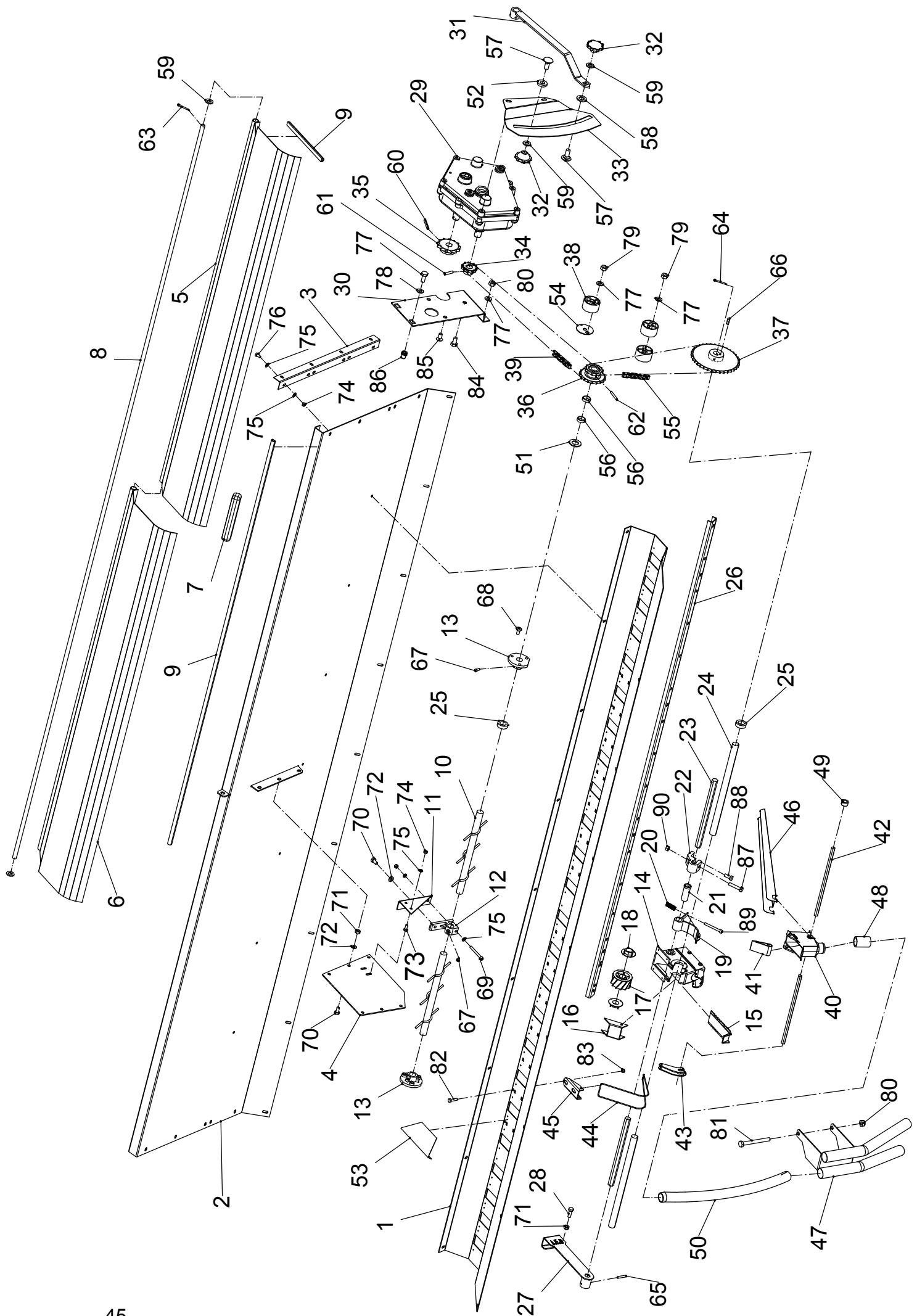


Fig.	Part no.	Pieces				Notes
		FD3000	FD4000			
50	500 237 659	24	32			
51		1	1			D30/20.5*2 washer
52	500 237 657	1	1			
53	500 031 287	14	21			
54	500 032 266	1	1			
55		1	1			1/2" - 43 L
56	500 031 891	2	2			
57		2	2			M12*30 lock screw
58		1	1			M16 washer
59		4	4			M12 washer
60		1	1			spring pin 6*45
61		1	1			spring pin 6*30
62		1	1			spring pin 5*40
63		2	2			cotter pin 3,2*25
64		1	1			cotter pin 5*32
65		1	1			spring pin 5*32
66		1	1			key 6*6-22
67		3	4			M6 lubrication nipple
68		6	6			M8*16 DIN7985 cross head
69		1	2			M6*60 DIN912 A4
70		7	14			M8*16 A4 hex head
71		7	13			M8 A4 nut
72		13	26			M8 A4 washer
73		2	4			M6*16 A4 hex heas
74		35	47			M6 A4 nut
75		45	58			M6 A4 washer
76		32	41			M6*12 A4 hex head
77		2	2			M10*25 hex head
78		6	6			M10 washer
79		2	2			M10 nut
80		14	18			M10 lock nut
81		12	16			M10*140 hex head
82		4	4			M6*16 A4 hex head
83		4	4			M6 A4 lock nut
84		1	1			M10*20 hex head
85		2	2			M10*20 DIN7991
86		2	2			M10 rivet nut
87		7	8			M8*40 hex head
88		7	8			M8*20 hex head
89		24	32			M6*55 DIN912
90		7	8			M8 nut

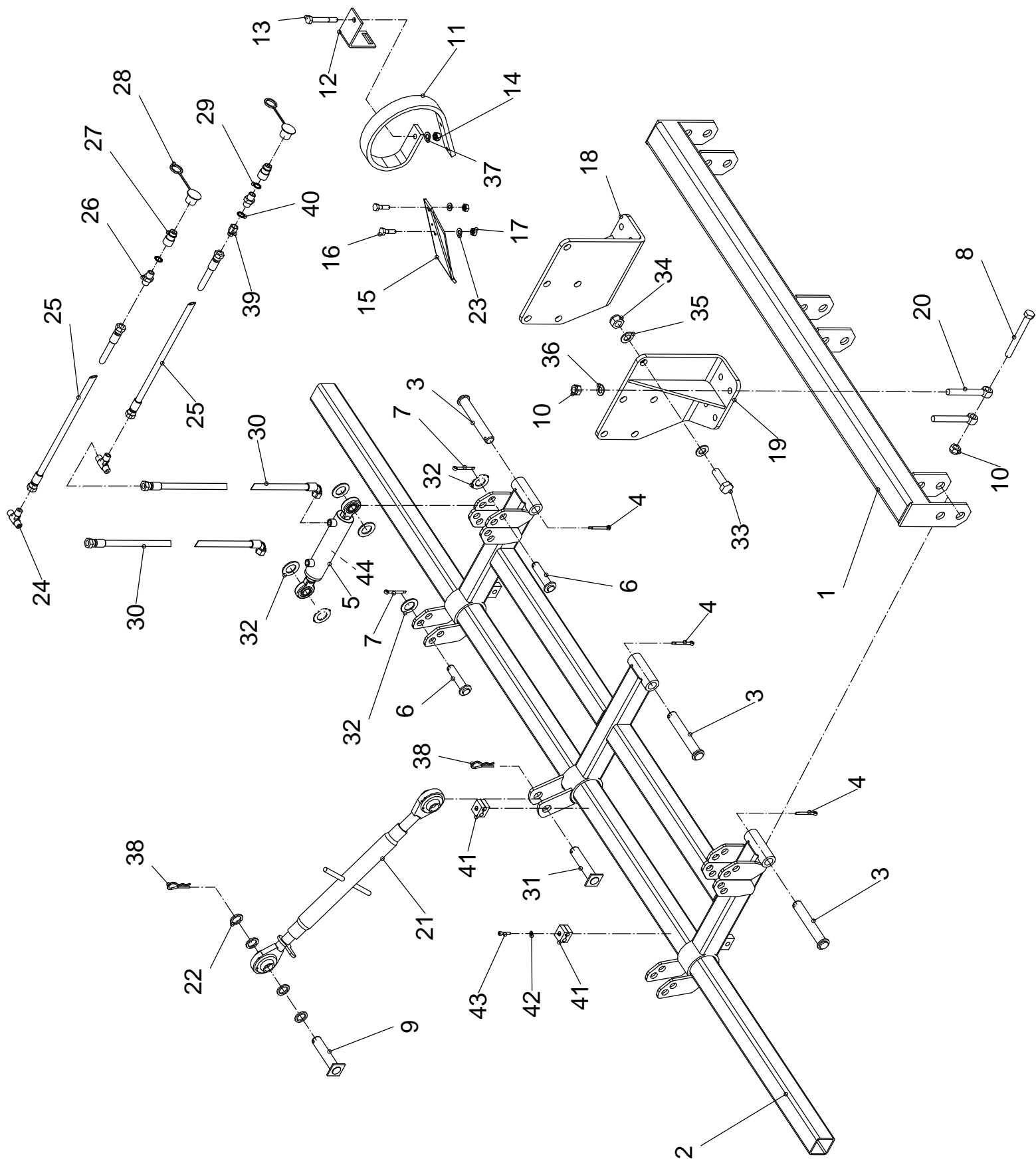


Fig.	Part no.	Pieces				Notes
		FD3000	FD4000			
1	500 037 506	1				
1	500 037 516		1			
2	500 037 507	1				
2	500 037 511		1			
3	500 040 136	3	3			
4		3	3			Cotter pin D8*45
5	503 370 824	2	2			
6	500 090 258	4	4			Cotter pin D5*25
7		4	4			M16*140 hex head
8		4	4			
9	500 090 255	1	1			
10		12	12			M16 lock nut
11	500 063 637	22	30			
12	500 037 504	22	30			
13		22	30			M12*90 hex head
14		22	30			M12 lock nut
15	500 037 503	22	30			
16		44	60			M10*30
17		44	60			M10 lock nut
18	500 237 523	1	1			Left
19	500 237 524	1	1			Right
20	500 237 525	8	8			M16*130 DIN444
21	500 035 177	1	1			
22	500 025 110	4	4			Washer D26/36*4
23		44	60			M10 washer
24	500 058 665	2	2			R1/4 T-nipple
25	500 035 845	2	2			L=5500 5701-04 5701-04
26	500 090 812	2	2			R1/2 R1/4
27	500 030 844	2	2			1/2"
28	500 058 656	2	2			
29	500 052 361	2	2			Usit 1/2"
30	500 089 838	4				L=860 5701-04 5751-04
30	500 037 734		4			L=1350 5701-04 5751-04
31	500 090 257	1	1			
32	500 012 122	12	12			Washer D22/45*4
33		10	10			M20*60 hex head
34		10	10			M20 lock nut
35		20	20			M20 washer
36		8	8			M16 washer
37		22	30			M12 washer
38		2	2			Pin D6 DIN11024
39	500 042 546	1	1			
40	500 087 830	1	1			usit 1/4"
41	500 031 594	4	4			
42		4	4			M6 washer
43		4	4			M6*30 DIN912 socket head
44	5K3 370 824	2	2			Sealing kit

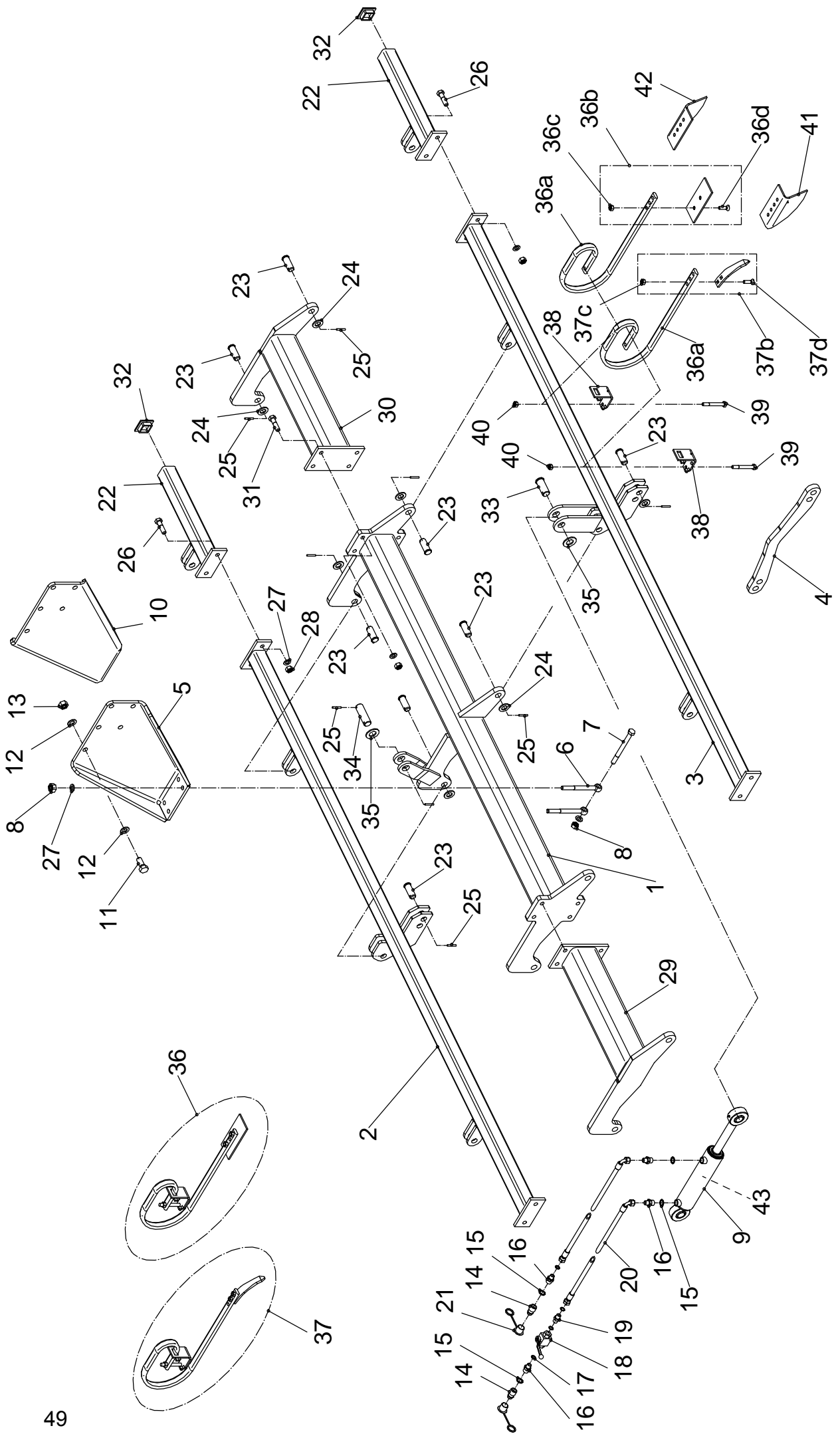


Fig.	Part no.	Pieces				Notes
		FD3000	FD4000			
1	4165 23 570 50	1	1			
2	4165 23 568 50	1	1			
3	4165 23 567 50	1	1			
4	4165 20 342 50	1	1			
5	500 237 526	1	1			Left
6	4165 20 485 00	8	8			M16*180 DIN444
7		4	4			M16*180 hex head
8		12	12			M16 lock nut
9	4165 94 371 50	1	1			
10	500 237 527	1	1			Right
11		10	10			M20*60 hex head
12		20	20			M20 washer
13		10	10			M20 lock nut
14	4165 74 814 00	2	2			
15	4165 80 316 00	4	4			
16	4165 77 231 00	4	4			
17	4165 12 983 01	2	2			
18	4165 84 096 00	1	1			
19	4165 79 031 00	1	1			
20	4165 14 197 00	2	2			
21	4165 78 383 00	2	2			
22	4165 21 729 50		4			
23	4165 91 269 00	8	12			
24	4734 12 00 07	8	12			D26*45 washer
25	4721 43 47 01	12	16			D6*40 keen pin
26	4725 26 30 57		8			M16*50 hex head
27	4734 11 86 07	12	44			D17*30 washer
28	4731 23 24 07		16			M16 nut
29	4165 21 833 50		1			
30	4165 21 724 50		1			
31	4725 26 32 57		8			M16*60 hex head
32	4165 99 326 00		4			
33	4165 89 274 00	1	1			
34	4165 89 788 00	1	1			
35	4734 12 04 01	4	4			D31*56 washer
36	4165 20 545 01	30	40			Assembly
36a	4165 20 391 50	1	1			
36b	4165 20 393 59	30	40			Assembly
36c	4165 03 613 03	2	2			M12 nut
36d	4165 03 612 21	2	2			M12*30
37	4165 21 626 01	30	40			Assembly
36a	4165 20 391 50	1	1			
37b	4165 96 404 09	30	40			Assembly
37c	4731 23 20 07	2	2			M10 nut
37d	4165 03 601 12	2	2			M10*30
38	4165 96 762 50	30	40			
39	4725 25 52 57	30	40			M12*100 hex head
40	473221 22 51	30	40			M12 nut
41	4165 21 358 59	1	1			
42	4165 21 357 59	1	1			
43	4165 86 984 00	1	1			Sealing kit

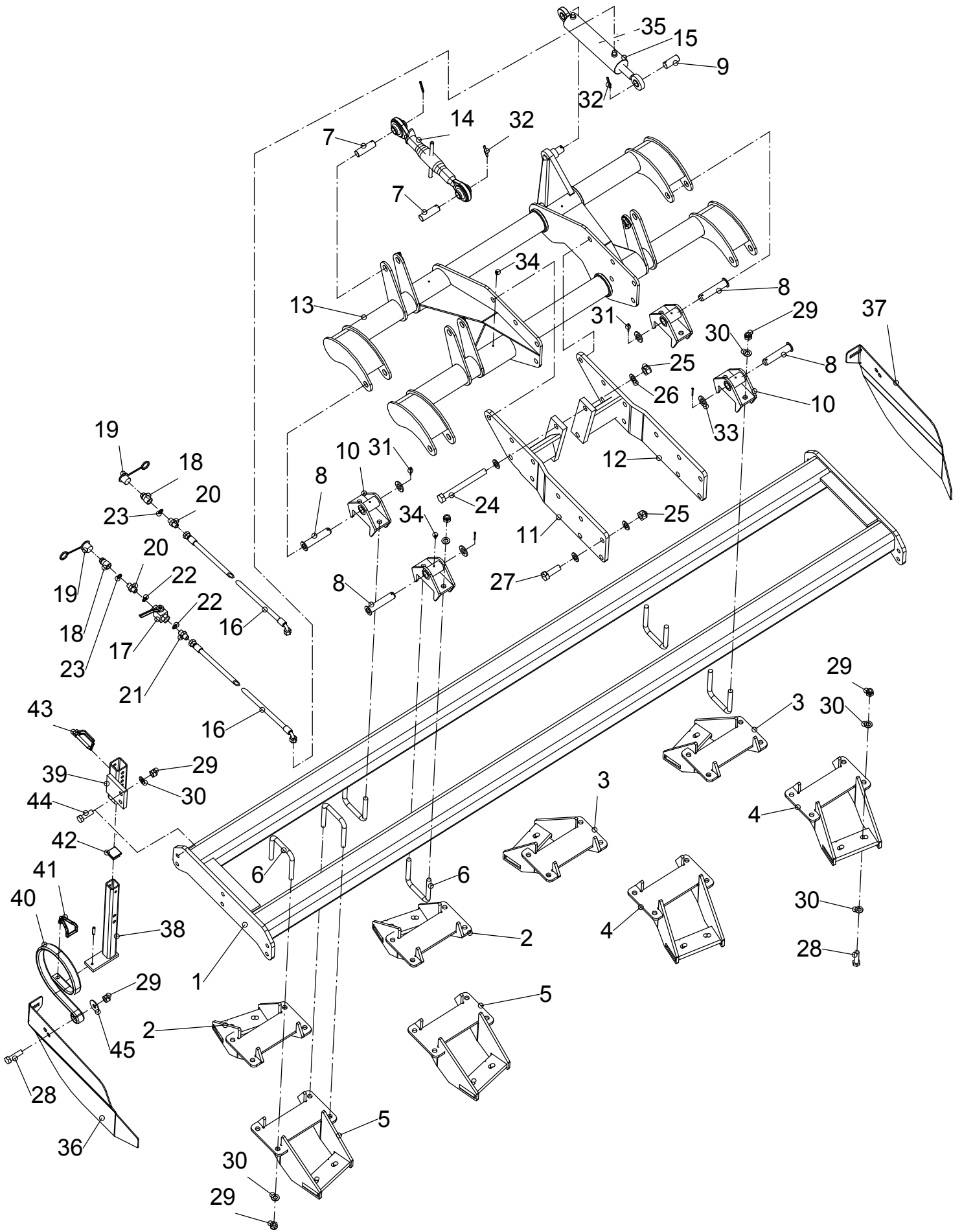


Fig.	Part no.	Pieces				Notes
		FD3000	FD4000			
1	500 171 102	1				
1	500 171 110		1			
2	500 237 909	2	3			Front, left
3	500 237 910	2	3			Front, right
4	500 237 911	2	3			Rear, right
5	500 237 912	2	3			Rear, left
6	7202301005	20	28			
7	500 237 916	2	2			
8	500 090 255	4	4			
9	500 237 917	1	1			
10	500 237 908	4	4			
11	500 237 913	1	1			Left
12	500 237 914	1	1			Right
13	500 237 900	1	1			
14	500 237 907	1	1			
15	503 370 915	1	1			
16	500 038 510	2	2			1/4" - 5500
17	500 087 819	1	1			R1/4" ball valve
18	500 030 844	2	2			1/2" rapid connector
19	500 058 656	2	2			
20	500 090 812	2	2			R1/2"-1/4"
21	500 090 820	1	1			R1/4"-1/4"
22	500 087 830	2	2			Usit R1/4"
23	500 052 361	2	2			Usit R1/2"
24		2	2			M20*200 hex head
25		22	22			M20 lock nut
26		44	44			M20 washer
27		20	20			M20*60 hex head
28		18	26			M16*60 hex head
29		62	86			M16 lock nut
30		76	108			M16 washer
31		5	5			Cotter pin 5*36
32		3	3			Spring pin 6*45
33		5	5			D25.5*35*1.5 washer
34		8	8			M6 lubrication nipple
35	5K3 370 915	1	1			Sealing kit
36	500 237 919	1	1			
37	500 237 918	1	1			
38	7204005304	2	2			
39	7204005303	2	2			
40	105 077 093	2	2			
41	101 000 742	2	2			
42	500 189 502	2	2			
43	372 004 023	2	2			
44		4	4			M16*50 hex head
45		2	2			Washer D16.5/35*5

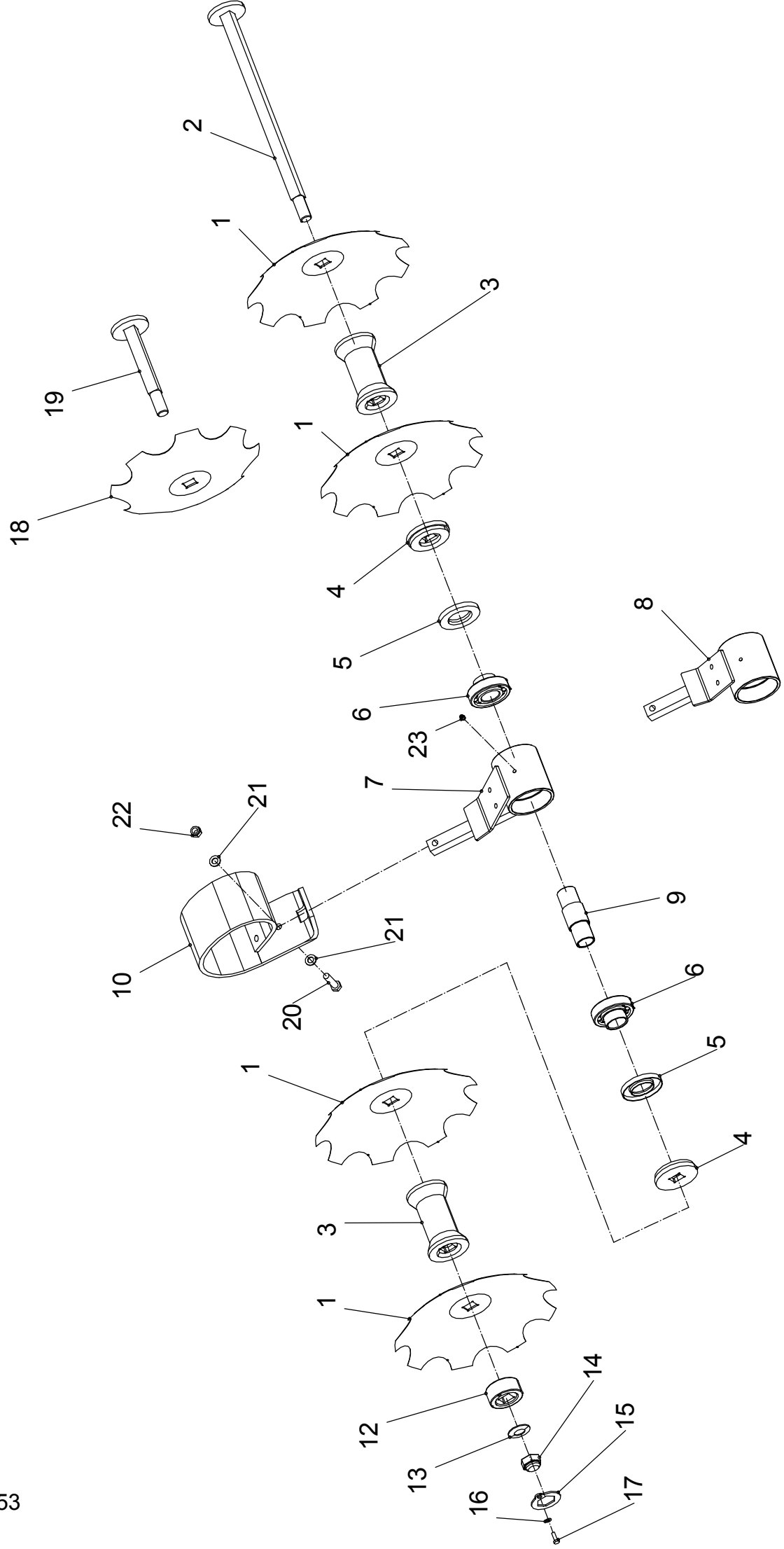


Fig.	Part no.	Pieces					Notes
		FD3000	FD4000				
1	7201003209	30	38				D460 L=670
2	7201003213	8	8				
3	7202302003	16	16				
4	7201003105	16	24				
5	7201003090	16	24				
6	7201003094	16	24				
7	7201003104	4	6				
8	7201003103	4	6				
9	7201003092	8	12				
10	105 150 055	8	12				
12	7202302006	8	12				
13	7202302007	8	12				
14	300 316 044	8	12				M30*2 Lock nut
15	7202302005	8	12				
16		8	12				
17		8	12				M8 Washer M8*25 hex head D410 (Front row, outer discs) Only FD4000 L=292 M16*70 hex head
18	7201003208	2	2				
19	500 237 906		4				
20		8	12				
21		16	24				M16 washer
22		8	12				M16 lock nut
23		8	12				M10 lubrication nipple

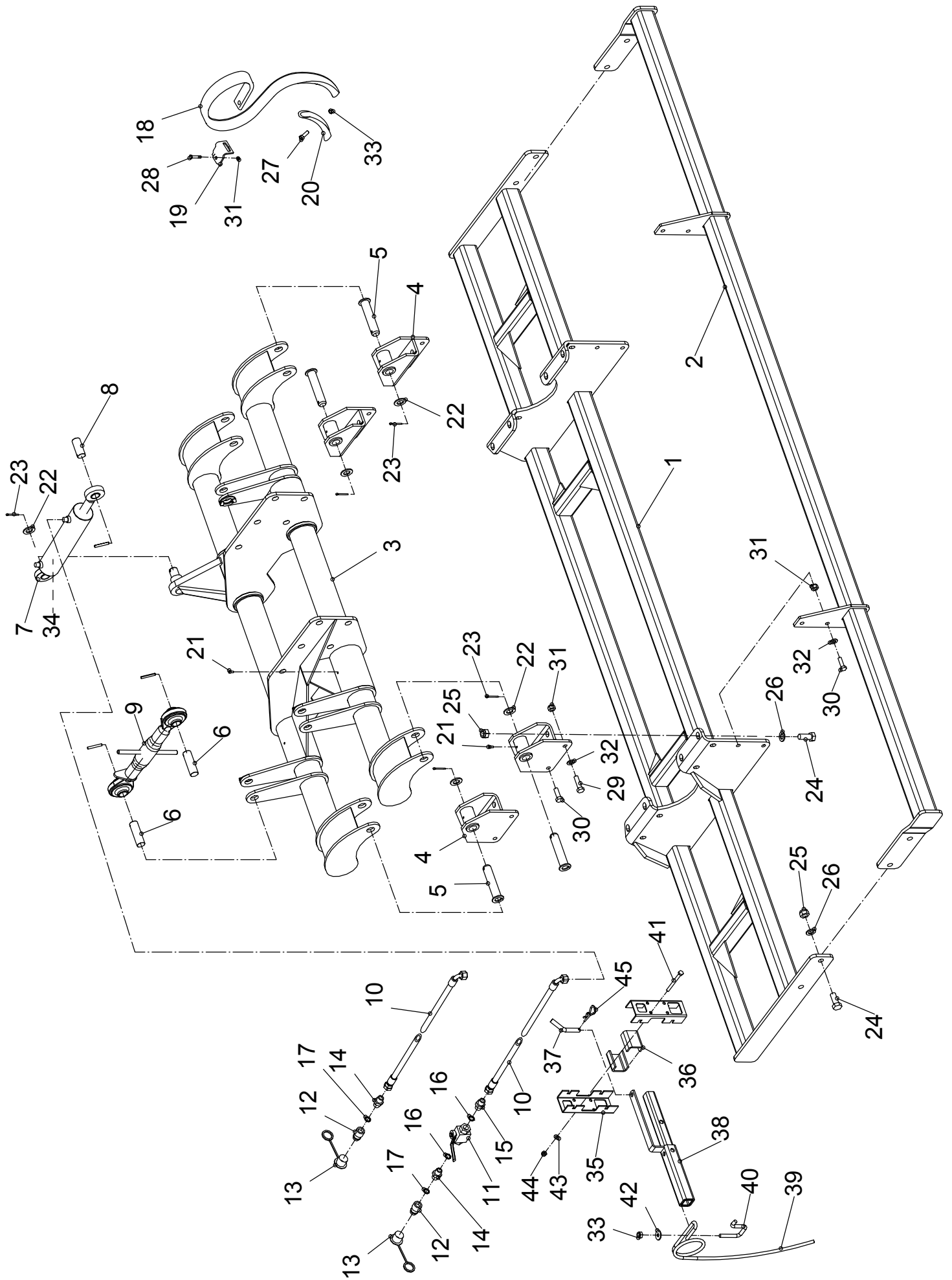


Fig.	Part no.	Pieces				Notes
		FD3000	FD4000			
1	500 237 901	1				
1	500 237 903		1			
2	500 237 904	1				
2	500 237 905		1			
3	500 237 900	1	1			
4	500 237 902	4	4			
5	500 090 255	4	4			
6	500 237 916	2	2			
7	503 370 915	1	1			
8	500 237 917	1	1			
9	500 237 907	1	1			
10	500 038 510	2	2			1/4" - 5500
11	500 087 819	1	1			R1/4" ball valve
12	500 030 844	2	2			1/2" rapid connector
13	500 058 656	2	2			
14	500 090 812	2	2			R1/2"-1/4"
15	500 090 820	1	1			R1/4"-1/4"
16	500 087 830	2	2			usit R1/4"
17	500 052 361	2	2			usit R1/2"
18	101 000 947	24	32			Super S Tine
19	101 155 311	24	32			Clamp
20	101 000 948	24	32			Share
21		8	8			M6 lubrication nipple
22		5	5			D25.5*35*1.5 washer
23		5	5			5*36 cotter pin
24		12	12			M16*40 hex head
25		12	12			M16 lock nut
26		12	12			M16 washer
27	100 323 097	24	32			M10*45
28		24	32			M12*100 hex head
29		2	2			M12*45 hex head
30		10	10			M12*35 hex head
31		36	44			M12 lock nut
32		12	12			M12 washer
33		30	38			M10 lock nut
34	5K3 370 915	1	1			Sealing kit
35	500 237 921	4	4			
36	500 237 578	4	4			Only Max-flow
37	500 014 410	2	2			
38	500 237 920	2	2			With Max-flow tine
38	500 237 922	2	2			With straight tine
39	7000045885	6	6			Max-flow tine
39	500 037 597	6	6			Straight tine
40	7002151941	6	6			With Max-flow
40	500 037 598	6	6			With straight tine
41		8	8			M8*90 hex head
42		6	6			M10 washer DIN9021
43		8	8			M8 washer
44		8	8			M8 lock nut
45		2	2			pin D4 DIN11024

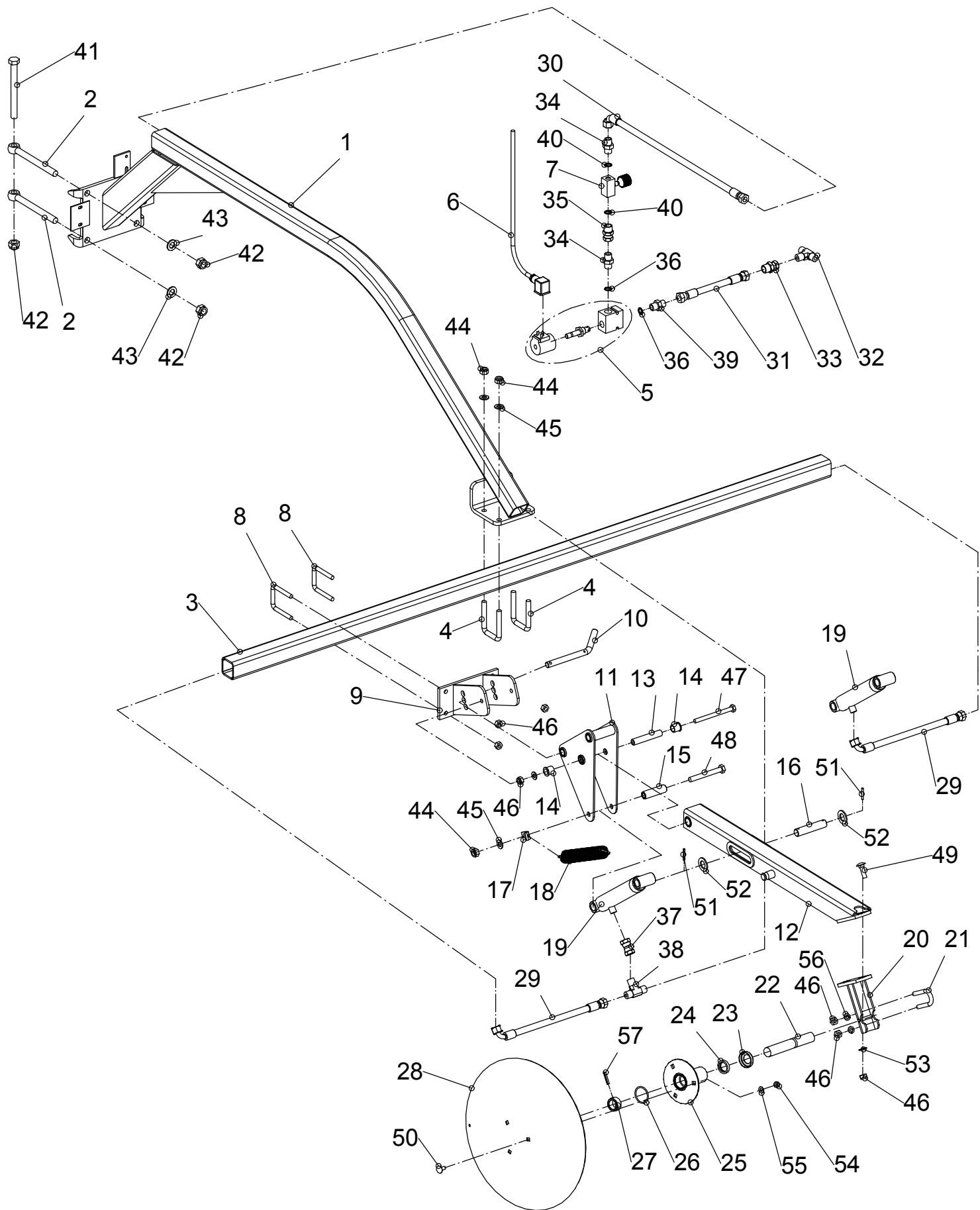


Fig.	Part no.	Pieces					Notes
1	500 237 520			2			
2	500 237 521			8			
3	500 042 969			1			
4	500 027 521			4			
5	500 037 816			1			2/2 - 3/8"
6	500 237 829			1			L=3.3M
7	500 042 865			1			R1/4"
8	7 002 148 874			4			
9	7002153978R			2			
10	7 002 153 986			2			
11	7002153975R			2			
12	7002153980R			2			
13	7 002 153 971			2			
14	7 000 602 383			4			16*20*20
15	7 002 154 558			2			
16	7 002 153 982			2			
17	7 002 153 984			2			
18	7 002 151 617			2			26/236/4
19	7 002 153 969			2			
20	7002151249R			2			
21	7 002 149 882			2			
22	7 002 149 883			2			
23	7 002 156 367			2			
24	7 000 405 969			2			25*35*7
25	7 002 154 571			2			
26	7 000 016 639			2			40*3
27	7 002 149 884			2			
28	7 002 153 519			2			D406
29	500 058 919			1			1/4" - 3000
30	500 089 836			1			1/4" - 2400
31	500 037 983			1			1/4" - 680
32	500 058 643			1			R1/2"
33	500 237 522			1			R1/4"-1/2"
34	500 090 820			1			R1/4"-1/4"
35	500 089 863			1			R1/4"-1/4"
36	500 061 801			2			Usit 3/8"
37	500 058 666			1			R1/4"
38	500 058 665			1			R1/4"
39	500 037 807			2			R1/4"-3/8"
40	500 087 830			2			Usit 1/4"
41				4			M16*180 hex head
42				12			M16 lock nut
43				8			M16 washer
44				9			M12 lock nut
45				9			M12 washer
46				17			M10 lock nut
47				1			M10*120 hex head
48				1			M12*100 hex head
49				4			M10*35 DIN603 lock screw
50				6			M8*20 DIN603 lock screw
51				4			spring pin 4*32
52				4			M20 washer
53				4			M10 washer
54				6			M8 lock nut
55				6			M8 washer
56				4			M10 spring washer
57				2			spring pin 6*32



Oy Kongskilde Juko Ltd

Opintie 4

FIN-23100 Mynämäki

Tel. +35824393200

Fax +35824393210

e-mail: mail@ksf.kongskilde.com

521200203

13.01.2010