

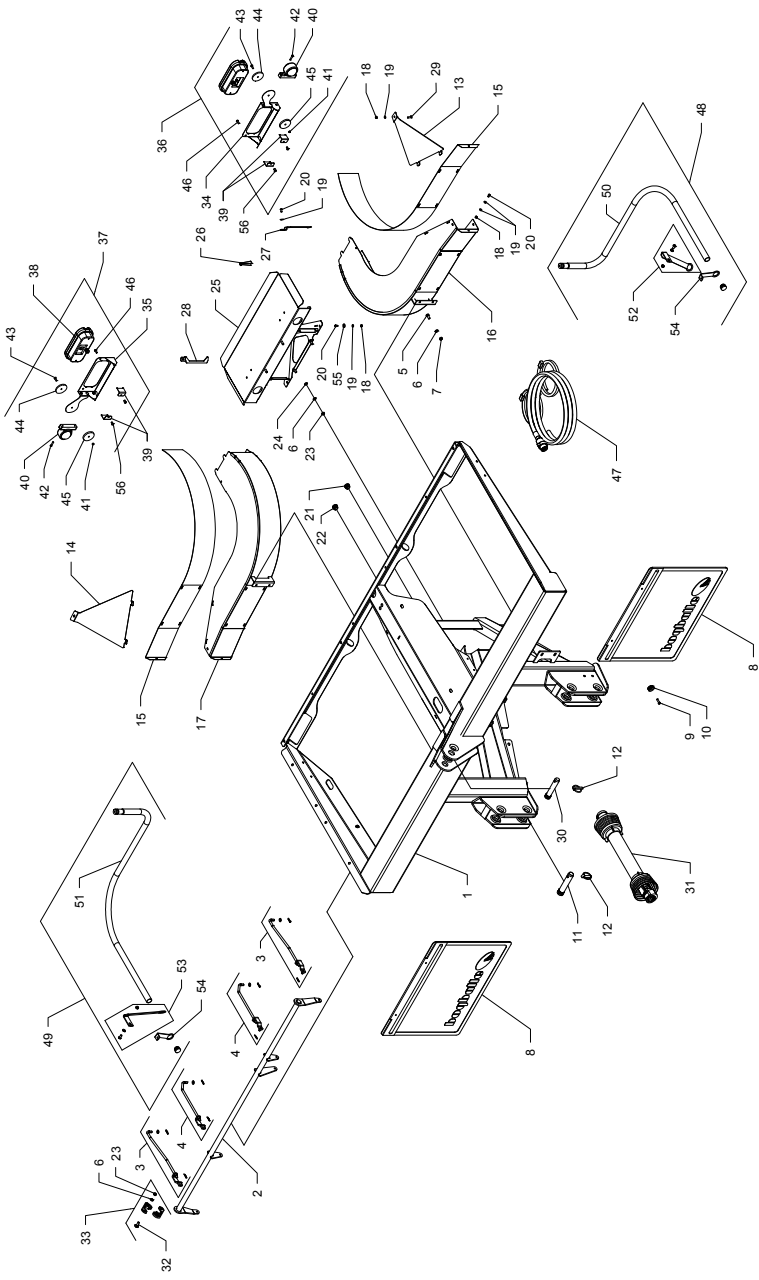
M2(W) / M3(W) quadro Spare Parts List

| | | |
|------------|-------------------------|-------------|
| M2 | from machine no. | 1402 |
| M2W | from machine no. | 767 |
| M3 | from machine no. | 101 |
| M3W | from machine no. | 101 |

M2(W)

quadro

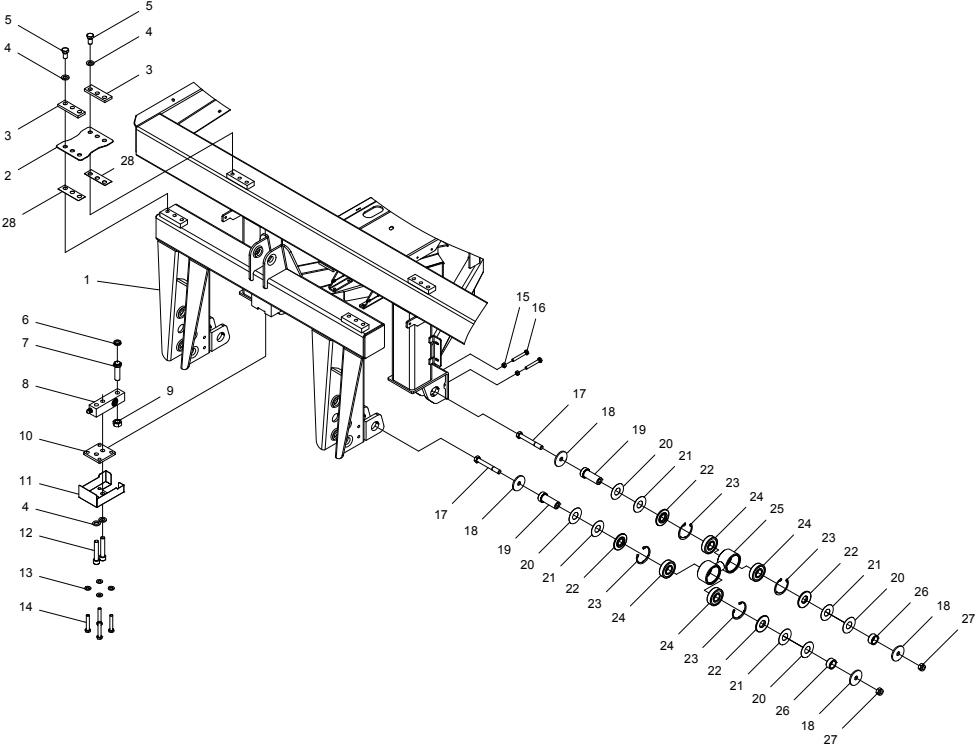
Spare parts list



M2(W)**quadro****Spare parts list**

| Pos. No. | Order no. | Notes. | Pos. No. | Order no. | Notes. |
|----------|-----------|--------|----------|-----------|--------|
| 1 | 6220-02 | M2 | 46 | | M6x16 |
| 1 | 6220-21 | M2W | 47 | 6930-22 | |
| 2 | 6340-01 | | 48 | 6230-02 | Left |
| 3 | 6341-05 | | 49 | 6230-03 | Right |
| 4 | 6341-06 | | 50 | 6230-05 | Left |
| 5 | | M8x20 | 51 | 6230-06 | Right |
| 6 | | D8/16 | 52 | 6230-15 | Left |
| 7 | | M8 | 53 | 6230-16 | Right |
| 8 | 4970-81 | | 54 | 6230-08 | |
| 9 | | M6x25 | 55 | | D6/18 |
| 10 | 9990-43 | | 56 | | M6x12 |
| 11 | 6320-03 | ø28 | | | |
| 12 | 9938-74 | | | | |
| 13 | 6371-15 | Left | | | |
| 14 | 6371-16 | Right | | | |
| 15 | 6371-10 | | | | |
| 16 | 6371-01 | Left | | | |
| 17 | 6371-02 | Right | | | |
| 18 | | M6 | | | |
| 19 | | D6/12 | | | |
| 20 | | M6x12 | | | |
| 21 | 9990-08 | | | | |
| 22 | 6350-12 | | | | |
| 23 | | M8 | | | |
| 24 | | D8/17 | | | |
| 25 | 6372-01 | | | | |
| 26 | 6372-15 | | | | |
| 27 | 6372-10 | Left | | | |
| 28 | 6372-11 | Right | | | |
| 29 | | M6x20 | | | |
| 30 | 6320-04 | ø25 | | | |
| 31 | 9985-40 | 810mm | | | |
| 32 | | M8x25 | | | |
| 33 | 6340-05 | | | | |
| 34 | 6920-49 | Left | | | |
| 35 | 6920-50 | Right | | | |
| 36 | 6920-47 | Left | | | |
| 37 | 6920-48 | Right | | | |
| 38 | 6930-35 | | | | |
| 39 | 6930-34 | | | | |
| 40 | 9943-05 | | | | |
| 41 | | M5 | | | |
| 42 | | M5x25 | | | |
| 43 | | M5x16 | | | |
| 44 | 9943-26 | Red | | | |
| 45 | 9943-27 | White | | | |

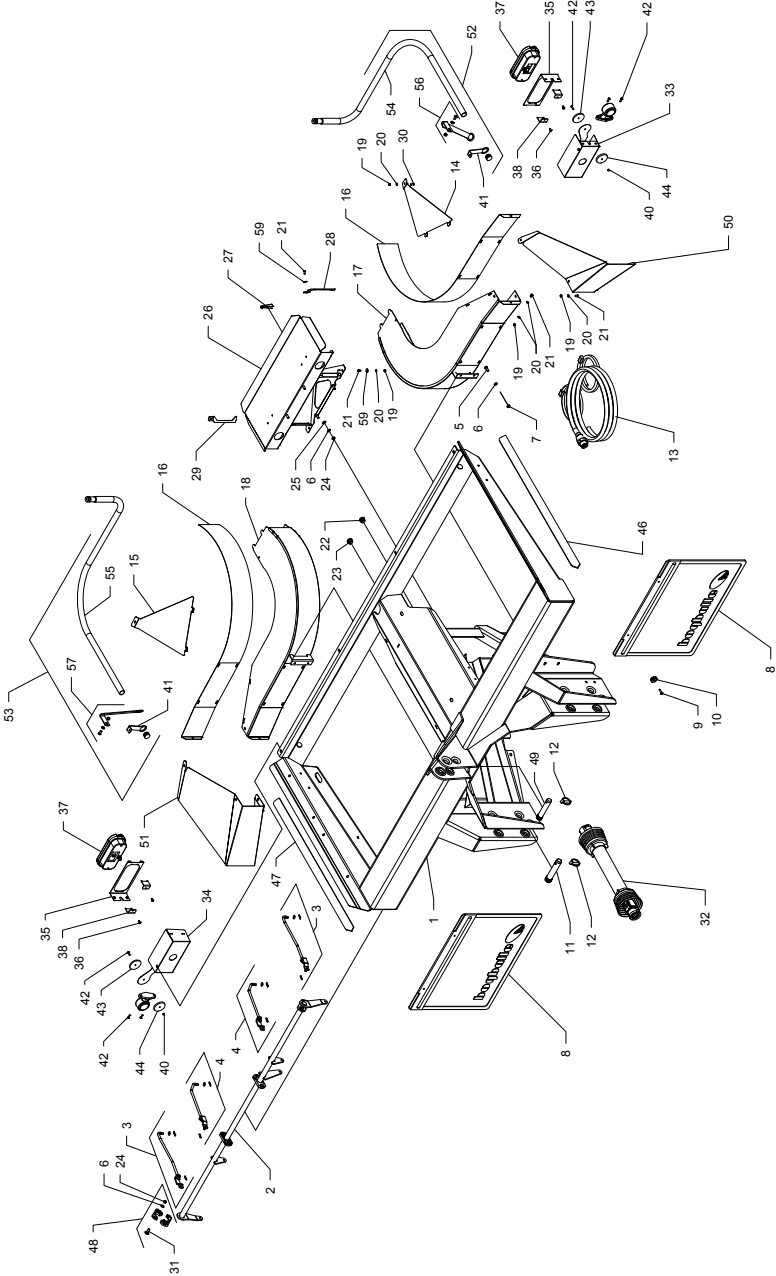
M2W quadro Spare parts list



Spare parts list

| Pos. No. | Order no. | Notes. | Pos. No. | Order no. | Notes. |
|----------|-----------|---------------|----------|-----------|--------|
| 1 | 6222-30 | | | | |
| 2 | 6220-25 | | | | |
| 3 | 6220-26 | | | | |
| 4 | 9930-20 | D17/30 | | | |
| 5 | 9964-71 | M16x30 | | | |
| 6 | 9936-27 | | | | |
| 7 | 6320-29 | | | | |
| 8 | 9942-33 | | | | |
| 9 | 9968-97 | M20 | | | |
| 10 | 4522-42 | | | | |
| 11 | 4522-40 | | | | |
| 12 | 9913-41 | M16x90 KV12.9 | | | |
| 13 | 9930-35 | D12/24 | | | |
| 14 | 9965-07 | M12x70 | | | |
| 15 | 9969-46 | M10 | | | |
| 16 | 9963-18 | M10x75 | | | |
| 17 | 9964-79 | M16x120 | | | |
| 18 | 6220-34 | | | | |
| 19 | 6220-35 | | | | |
| 20 | 6220-38 | 0,5 mm | | | |
| 21 | 6220-37 | 1 mm | | | |
| 22 | 6220-33 | | | | |
| 23 | 9937-45 | I 72 | | | |
| 24 | 9950-05 | 6306-2RS | | | |
| 25 | 6220-30 | | | | |
| 26 | 6220-36 | | | | |
| 27 | 9969-84 | M16 | | | |
| 28 | 6220-27 | | | | |
| | | | | | |
| | | | | | |
| | | | | | |

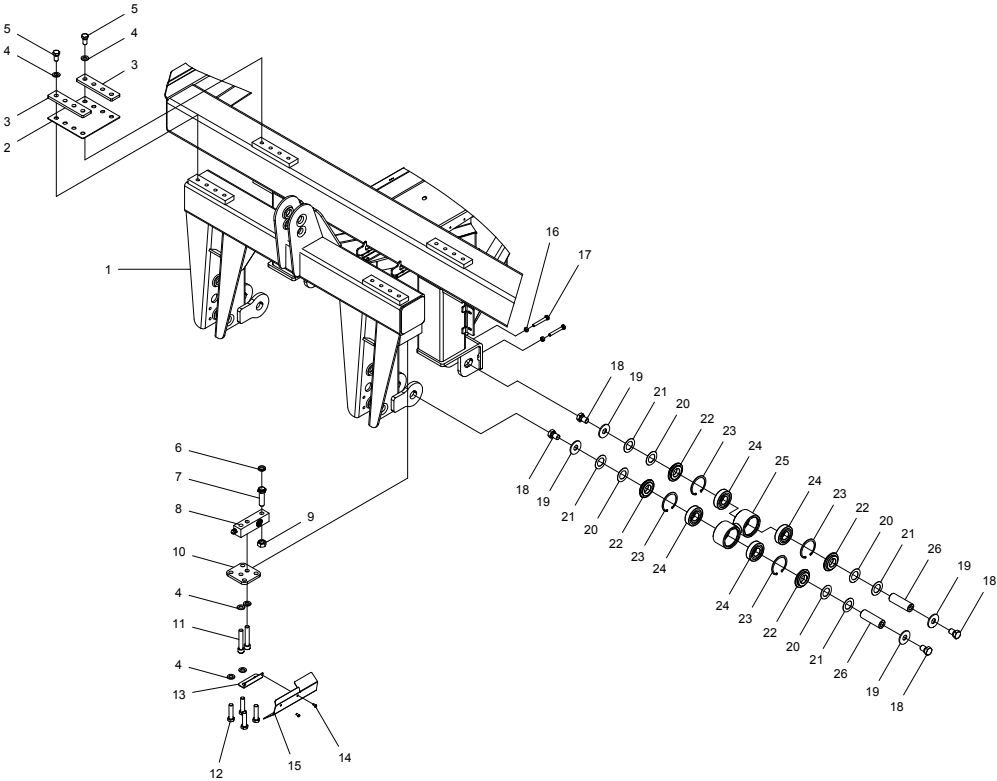
M3(W) quadro Spare parts list



M3(W)**quadro****Spare parts list**

| Pos. No. | Order no. | Notes. | Pos. No. | Order no. | Notes. |
|----------|-----------|--------|----------|-----------|--------|
| 1 | 6320-01 | M3 | 46 | 6310-13 | Left |
| 1 | 6320-20 | M3W | 47 | 6310-14 | Right |
| 2 | 6340-01 | | 48 | 6340-05 | |
| 3 | 6341-05 | | 49 | 6320-04 | ø25 |
| 4 | 6341-06 | | 50 | 6930-92 | Left |
| 5 | | M8x20 | 51 | 6930-93 | Right |
| 6 | | D8/16 | 52 | 6230-02 | Left |
| 7 | | M8 | 53 | 6230-03 | Right |
| 8 | 4970-81 | | 54 | 6230-05 | Left |
| 9 | | M6x25 | 55 | 6230-06 | Right |
| 10 | 9990-43 | | 56 | 6230-15 | Left |
| 11 | 6320-03 | ø28 | 57 | 6230-16 | Right |
| 12 | 9938-74 | | | | |
| 13 | 6930-22 | | | | |
| 14 | 6371-15 | Left | | | |
| 15 | 6371-16 | Right | | | |
| 16 | 6371-10 | | | | |
| 17 | 6371-01 | Left | | | |
| 18 | 6371-02 | Right | | | |
| 19 | | M6 | | | |
| 20 | | D6/12 | | | |
| 21 | | M6x12 | | | |
| 22 | 9990-08 | | | | |
| 23 | 6350-12 | | | | |
| 24 | | M8 | | | |
| 25 | | D8/17 | | | |
| 26 | 6372-01 | | | | |
| 27 | 6372-15 | | | | |
| 28 | 6372-10 | Left | | | |
| 29 | 6372-11 | Right | | | |
| 30 | | M6x20 | | | |
| 31 | | M8x25 | | | |
| 32 | 9985-40 | 810mm | | | |
| 33 | 6930-38 | Left | | | |
| 34 | 6930-39 | Right | | | |
| 35 | 6930-41 | | | | |
| 36 | | M6x12 | | | |
| 37 | 6930-35 | | | | |
| 38 | 6930-34 | | | | |
| 39 | 9943-05 | | | | |
| 40 | | M5 | | | |
| 41 | 6230-08 | | | | |
| 42 | | M5x16 | | | |
| 43 | 9943-26 | Red | | | |
| 44 | 9943-27 | White | | | |
| 45 | | M6x12 | | | |

M3W quadro Spare parts list

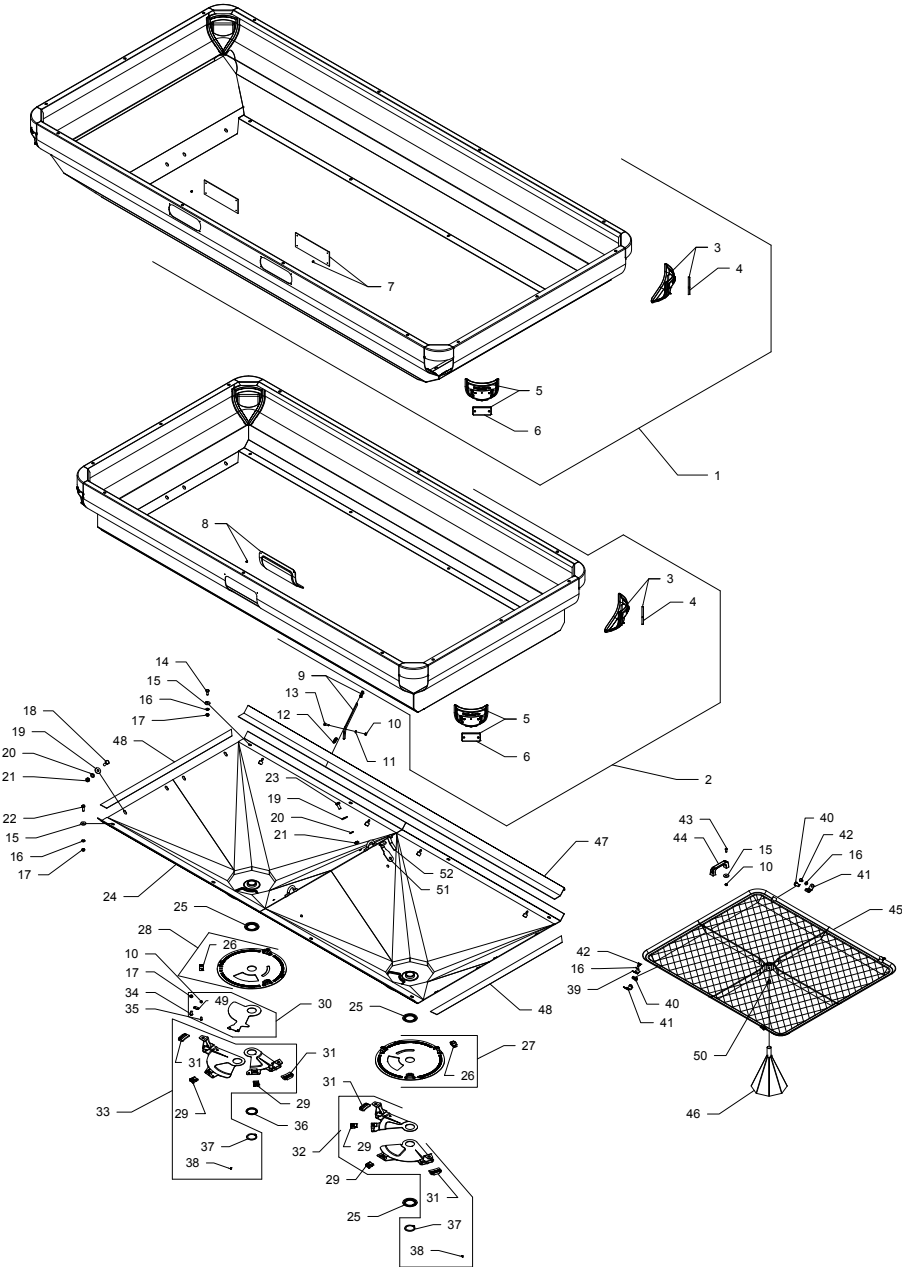


| Pos. No. | Order no. | Notes. | Pos. No. | Order no. | Notes. |
|----------|-----------|---------------|----------|-----------|--------|
| 1 | 6322-30 | | | | |
| 2 | 6320-25 | | | | |
| 3 | 6320-26 | | | | |
| 4 | 9930-20 | D17/30 | | | |
| 5 | 9964-71 | M16x30 | | | |
| 6 | 9936-27 | | | | |
| 7 | 6320-29 | | | | |
| 8 | 9942-33 | | | | |
| 9 | 9968-97 | M20 | | | |
| 10 | 6322-43 | | | | |
| 11 | 9913-41 | M16x90 KV12.9 | | | |
| 12 | 9964-77 | M16x65 | | | |
| 13 | 6322-45 | | | | |
| 14 | 9961-20 | M6x12 | | | |
| 15 | 6322-46 | Left | | | |
| 15 | 6322-47 | Right | | | |
| 16 | 9969-46 | M10 | | | |
| 17 | 9963-19 | M10x75 | | | |
| 18 | 9964-98 | M20x30 | | | |
| 19 | 9930-15 | D22/59 | | | |
| 20 | 6320-34 | 0,5 mm | | | |
| 21 | 6320-35 | 1 mm | | | |
| 22 | 6320-33 | | | | |
| 23 | 9937-48 | I 80 | | | |
| 24 | 9950-07 | 6307-2RS | | | |
| 25 | 6320-30 | | | | |
| 26 | 6320-32 | | | | |
| | | | | | |
| | | | | | |
| | | | | | |
| | | | | | |

M2(W) / M3(W)

quadro

Spare parts list



M2(W) / M3(W)

quadro

Spare parts list

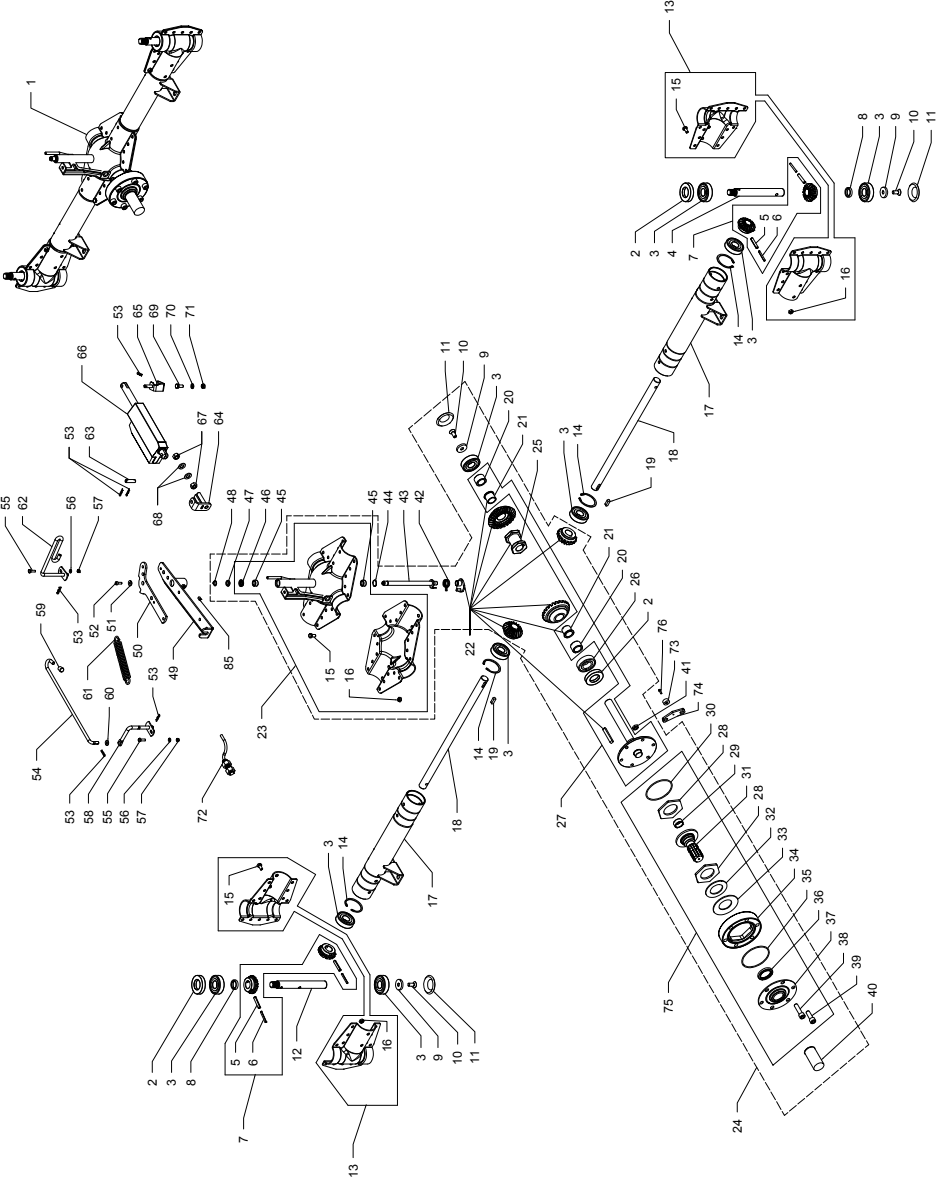


| Pos. No. | Order no. | Notes. | Pos. No. | Order no. | Notes. |
|----------|-----------|-----------------|----------|-----------|--------|
| 1 | 6311-16 | M3(W) 1400x2900 | 46 | 4016-05 | |
| 1 | 6211-21 | M2(W) 1400x2900 | 47 | 6310-03 | |
| 2 | 6211-25 | M2(W) 1250x2400 | 48 | 6210-13 | M2(W) |
| 3 | 6311-30 | | 49 | 6312-17 | |
| 4 | 9943-32 | Red | 50 | | M8x16 |
| 5 | 6311-31 | | 51 | 6313-15 | |
| 6 | 9943-33 | White | 52 | 6313-20 | |
| 7 | 6311-32 | | | | |
| 8 | 6211-17 | | | | |
| 9 | 4510-09 | | | | |
| 10 | | M6 | | | |
| 11 | | D6/12 | | | |
| 12 | 9934-13 | Ø1,5x11x32 | | | |
| 13 | | M6x20 | | | |
| 14 | | M8x20 | | | |
| 15 | | D8/25 | | | |
| 16 | | D8/16 | | | |
| 17 | | M8 | | | |
| 18 | | M10x30 | | | |
| 19 | | D10/30 | | | |
| 20 | | D10/21 | | | |
| 21 | | M10 | | | |
| 22 | | M8x25 | | | |
| 23 | | M10x25 | | | |
| 24 | 6310-05 | | | | |
| 25 | 4512-12 | | | | |
| 26 | 4512-11 | | | | |
| 27 | 4512-13 | Left | | | |
| 28 | 4512-14 | Right | | | |
| 29 | 4412-21 | Small | | | |
| 30 | 6212-02 | | | | |
| 31 | 4412-20 | Big | | | |
| 32 | 6312-03 | Left | | | |
| 33 | 6312-04 | Right | | | |
| 34 | | M8x16 | | | |
| 35 | | M6x12 | | | |
| 36 | 4012-11 | | | | |
| 37 | 9937-31 | U44 | | | |
| 38 | 9933-25 | Ø2x10 | | | |
| 39 | 6313-12 | | | | |
| 40 | 6313-10 | | | | |
| 41 | 6313-11 | | | | |
| 42 | | M8x12 | | | |
| 43 | | M6x16 | | | |
| 44 | 9990-38 | | | | |
| 45 | 6313-02 | | | | |

M2(W) / M3(W)

quadro

Spare parts list

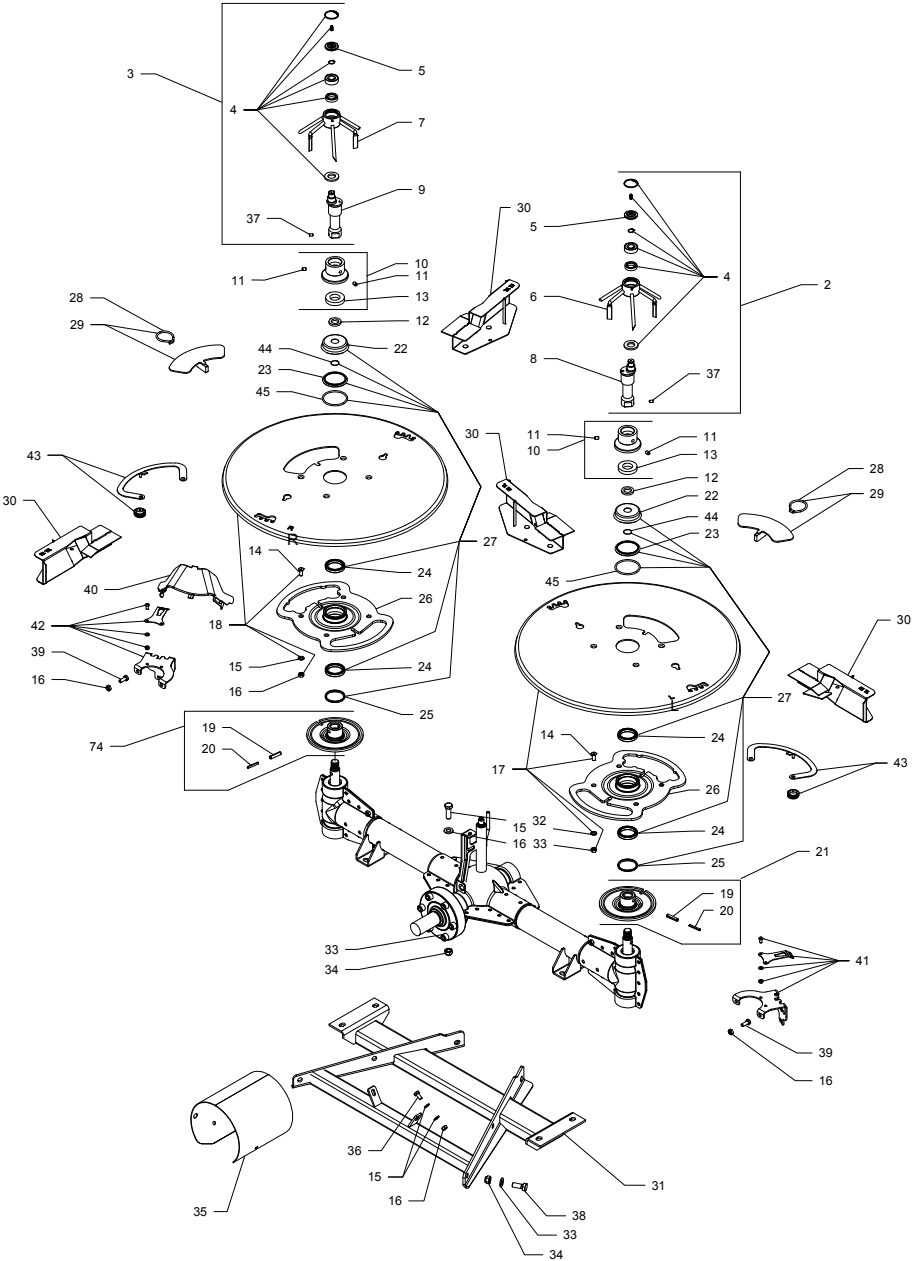


| Pos. No. | Order no. | Notes. | Pos. No. | Order no. | Notes. |
|----------|-----------|--------------|----------|-----------|--------|
| 1 | 4750-02 | 540/750 rpm | 47 | 9936-28 | |
| 2 | 9936-37 | 35x62x12 | 48 | 9937-13 | U14 |
| 3 | 9950-02 | 6305-2RS | 49 | 4655-05 | |
| 4 | 4155-04 | Right thread | 50 | 4653-15 | |
| 5 | | Ø8x45 | 51 | | D6/17 |
| 6 | | Ø5x45 | 52 | | M6x16 |
| 7 | 3265-02 | 15 teeth | 53 | 9934-31 | |
| 8 | 3262-05 | | 54 | 6350-11 | |
| 9 | 3260-04 | | 55 | | M6x20 |
| 10 | | M10x25 | 56 | | D6/12 |
| 11 | 3260-05 | | 57 | | M6 |
| 12 | 4062-05 | Left thread | 58 | 6350-08 | |
| 13 | 4454-05 | | 59 | 9990-26 | |
| 14 | 9937-40 | I60 | 60 | | D8/17 |
| 15 | | M8x16 | 61 | 9934-07 | |
| 16 | | M8 | 62 | 4690-05 | |
| 17 | 4557-02 | | 63 | 4790-36 | |
| 18 | 4156-02 | | 64 | 4790-43 | |
| 19 | 9931-56 | 8x7x25 | 65 | 4790-47 | |
| 20 | 4652-03 | | 66 | 9942-11 | |
| 21 | 4652-08 | | 67 | | M12 |
| 22 | 4652-11 | 17/24 teeth | 68 | | D12/24 |
| 23 | 4660-00 | | 69 | | M8x20 |
| 24 | 4750-50 | | 70 | | D8/16 |
| 25 | 4652-09 | | 71 | | M8 |
| 26 | 9950-03 | 6206-2RS | 72 | 9941-34 | |
| 27 | 4652-01 | | 73 | 9941-04 | |
| 28 | 3263-15 | | 74 | 4790-38 | |
| 29 | 9990-90 | | 75 | 3263-10 | |
| 30 | 9936-10 | O-ring | 76 | | M4x16 |
| 31 | 3263-11 | | 77 | | M8x10 |
| 32 | 3263-12 | | | | |
| 33 | 9931-10 | | | | |
| 34 | 3263-20 | | | | |
| 35 | 9936-09 | O-ring | | | |
| 36 | 9936-49 | | | | |
| 37 | 3263-13 | | | | |
| 38 | | M12x45 | | | |
| 39 | | M12x35 | | | |
| 40 | 9985-84 | | | | |
| 41 | | M12 | | | |
| 42 | 9934-02 | | | | |
| 43 | 4653-02 | | | | |
| 44 | 9931-15 | | | | |
| 45 | 9990-99 | 14x20x10 | | | |
| 46 | 9936-29 | 14x22x4 | | | |

M2(W) / M3(W)

quadro

Spare parts list



M2(W) / M3(W)

quadro

Spare parts list

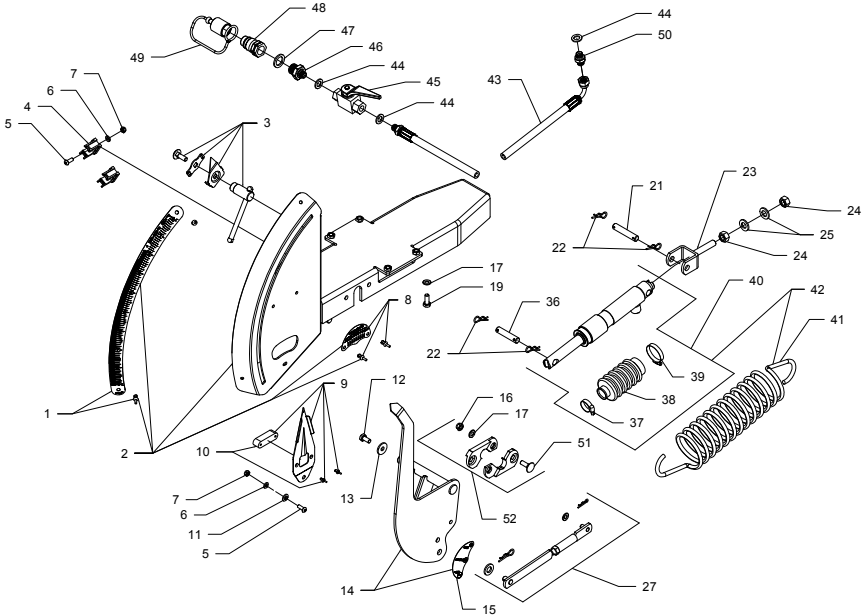
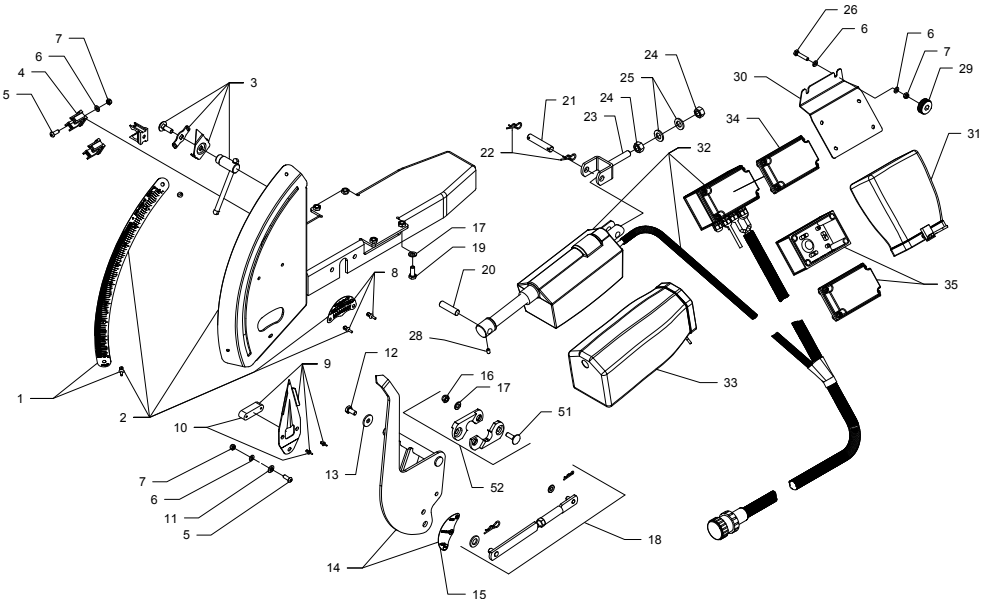


| Pos. No. | Order no. | Notes. | Pos. No. | Order no. | Notes. |
|----------|-----------|----------------------|----------|-----------|----------------|
| 1 | 4750-02 | 540/750 rpm | 44 | 9936-12 | O-ring ø20x1 |
| 2 | 4160-01 | L-side/R-thread | 45 | 9936-13 | O-ring ø55x3,5 |
| 3 | 4160-02 | R-side/L-thread | | | |
| 4 | 4056-10 | | | | |
| 5 | 4056-03 | | | | |
| 6 | 4058-05 | L-side/R | | | |
| 7 | 4058-06 | R-side/L | | | |
| 8 | 4161-02 | L-side/R-thread | | | |
| 9 | 4161-01 | R-side/L-thread | | | |
| 10 | 4158-05 | | | | |
| 11 | | M8x10 | | | |
| 12 | 4560-01 | Ø20xØ30x5 | | | |
| 13 | 4158-10 | | | | |
| 14 | | M8x20 | | | |
| 15 | | D8/16 | | | |
| 16 | | M8 | | | |
| 17 | 6250-05 | Left | | | |
| 18 | 6250-06 | Right | | | |
| 19 | 9933-27 | Ø8x36 | | | |
| 20 | 9933-26 | Ø5x36 | | | |
| 21 | 6251-01 | | | | |
| 22 | 6250-25 | | | | |
| 23 | 9936-11 | V-ring | | | |
| 24 | 9950-08 | 61808-2RS | | | |
| 25 | 9936-50 | 45x52x4 | | | |
| 26 | 6251-11 | | | | |
| 27 | 6251-20 | | | | |
| 28 | 6250-15 | | | | |
| 29 | 6250-10 | | | | |
| 30 | 4650-12 | E1-T 2 Left/ 2 Right | | | |
| 30 | 4650-20 | E2-T 2 Left/ 2 Right | | | |
| 30 | 4650-28 | E6-T 2 Left/ 2 Right | | | |
| 30 | 4650-36 | E8-T 2 Left/ 2 Right | | | |
| 31 | 6330-01 | | | | |
| 32 | | M12x35 | | | |
| 33 | | D12/24 | | | |
| 34 | | M12 | | | |
| 35 | 4470-01 | | | | |
| 36 | | M8x16 | | | |
| 37 | | M6x10 | | | |
| 38 | | M12x30 | | | |
| 39 | | M8x20 | | | |
| 40 | 6250-30 | | | | |
| 41 | 6250-19 | Left | | | |
| 42 | 6250-20 | Right | | | |
| 43 | 6250-14 | | | | |

M2(W) / M3(W)

quadro

Spare parts list



M2(W) / M3(W)

quadro

Spare parts list



| Pos. No. | Order no. | Notes. | Pos. No. | Order no. | Notes. |
|----------|-----------|-------------|----------|-----------|--------|
| 1 | 6381-03 | | 46 | 9990-81 | Ø0,8 |
| 2 | 6381-04 | | 47 | 9936-80 | |
| 3 | 6381-13 | | 48 | 9983-09 | |
| 4 | 9989-85 | | 49 | 9990-19 | |
| 5 | | M6x16 | 50 | 9990-78 | |
| 6 | | D6/12 | 51 | | M8x25 |
| 7 | | M6 | 52 | 6381-45 | |
| 8 | 6381-18 | | | | |
| 9 | 6381-16 | | | | |
| 10 | 6381-17 | | | | |
| 11 | | D8/15/3 | | | |
| 12 | | M8x16 | | | |
| 13 | | D8/25 | | | |
| 14 | 6381-09 | | | | |
| 15 | 9993-11 | | | | |
| 16 | | M8 | | | |
| 17 | | D8/16 | | | |
| 18 | 6384-19 | M2W/M3W | | | |
| 18 | 6381-19 | M2/M3 | | | |
| 19 | | M8x20 | | | |
| 20 | 4584-08 | | | | |
| 21 | 4581-28 | | | | |
| 22 | 9934-32 | | | | |
| 23 | 4581-25 | | | | |
| 24 | | M12 | | | |
| 25 | | D12/24 | | | |
| 26 | | M6x30 | | | |
| 27 | 6381-19 | M2/M3 | | | |
| 28 | | M6x10 | | | |
| 29 | 9990-43 | | | | |
| 30 | 6384-29 | | | | |
| 31 | 4584-26 | | | | |
| 32 | 6384-28 | | | | |
| 33 | 4584-25 | | | | |
| 34 | 6386-26 | M2W/M3W | | | |
| 35 | 4920-50 | M2(W)/M3(W) | | | |
| 36 | 4581-29 | | | | |
| 37 | 9990-60 | D24 | | | |
| 38 | 9987-04 | | | | |
| 39 | 9990-61 | D40 | | | |
| 40 | 4581-15 | | | | |
| 41 | 9934-14 | | | | |
| 42 | 4581-37 | | | | |
| 43 | 9983-29 | | | | |
| 44 | 9936-79 | | | | |
| 45 | 9982-06 | | | | |

